



# Operating instructions



## Withdrawal systems without level sensor GWG



Copyright 2025 AFRISO-EURO-INDEX GmbH. All rights reserved.

Lindenstraße 20  
74363 Güglingen  
Telephone +49 7135 102-0  
Service +49 7135 102-211  
Telefax +49 7135 102-147  
info@afriso.com  
www.afriso.com

## 1 About these operating instructions

These operating instructions describe the withdrawal systems with disc flange and screw fitting (also referred to as "product" in these operating instructions) and the associated extensions. These operating instructions are part of the product.

- You may only use the product if you have fully read and understood these operating instructions.
- Verify that these operating instructions are always accessible for any type of work performed on or with the product.
- Pass these operating instructions as well as all other product-related documents on to all owners of the product.
- If you feel that these operating instructions contain errors, inconsistencies, ambiguities or other issues, contact the manufacturer prior to using the product.

These operating instructions are protected by copyright and may only be used as provided for by the corresponding copyright legislation. We reserve the right to modifications.

The manufacturer shall not be liable in any form whatsoever for direct or consequential damage resulting from failure to observe these operating instructions or from failure to comply with directives, regulations and standards and any other statutory requirements applicable at the installation site of the product.

## 2 Information on safety

### 2.1 Safety messages and hazard categories

These operating instructions contain safety messages to alert you to potential hazards and risks. In addition to the instructions provided in these operating instructions, you must comply with all directives, standards and safety regulations applicable at the installation site of the product. Verify that you are familiar with all directives, standards and safety regulations and ensure compliance with them prior to using the product.

Safety messages in these operating instructions are highlighted with warning symbols and warning words. Depending on the severity of a hazard, the safety messages are classified according to different hazard categories.

## NOTICE

NOTICE indicates a hazardous situation, which, if not avoided, can result in equipment damage.

---

## 2.2 Intended use

The product may only be used for the following media and tanks.

### Media

- Fuel oil EL as per DIN 51603-1 and as per DIN SPEC 51603-6 with 0 - 30 % fatty acid methyl ester (FAME) as per EN 14214
- Diesel fuel as per EN 590 with up to 7 % fatty acid methyl ester (FAME) as per EN 14214
- Biodiesel with up to 30 % fatty acid methyl ester (FAME) as per EN 14214
- Paraffinic fuels (such as HVO/GTL) as per DIN/TS 51603-8 proportionately with 0 - 100 %

### Tanks

- Plastic tanks in buildings, also in battery arrangement

Any use other than the application explicitly permitted in these operating instructions is not permitted and causes hazards.

Verify that the product is suitable for the application planned by you prior to using the product. In doing so, take into account at least the following:

- All directives, standards and safety regulations applicable at the installation site of the product
- All conditions and data specified for the product
- The conditions of the planned application

In addition, perform a risk assessment in view of the planned application, according to an approved risk assessment method, and implement the appropriate safety measures, based on the results of the risk assessment. Take into account the consequences of installing or integrating the product into a system or a plant.

When using the product, perform all work and all other activities in conjunction with the product in compliance with the conditions specified in the operating instructions and on the nameplate, as well as with all directives, standards and safety regulations applicable at the installation site of the product.

## 2.3 Predictable incorrect application

The product must never be used in the following cases and for the following purposes:

- Hazardous area
  - If the product is operated in hazardous areas, sparks may cause deflagrations, fires or explosions.

## 2.4 Qualification of personnel

This product may only be mounted, commissioned and decommissioned by a qualified, specialised company which has all required certifications and which meets the following requirements:

- Compliance with all directives, standards and safety regulations concerning handling of water-polluting substances as applicable at the installation site of the product.
- In Germany: Certification as per § 62 "Verordnung über Anlagen zum Umgang mit wassergefährdenden Stoffen" (AwSV) (Ordinance on Installations for Handling Water-Polluting Substances).

Only appropriately trained persons who are familiar with and understand the contents of these operating instructions and all other pertinent product documentation are authorized to work on and with this product.

These persons must have sufficient technical training, knowledge and experience and be able to foresee and detect potential hazards that may be caused by using the product.

All persons working on and with the product must be fully familiar with all directives, standards and safety regulations that must be observed for performing such work.

## 2.5 Personal protective equipment

Always wear the required personal protective equipment. When performing work on and with the product, take into account that hazards may be present at the installation site which do not directly result from the product itself.

## 2.6 Modifications to the product

Only perform work on and with the product which is explicitly described in these operating instructions. Do not make any modifications to the product which are not described in these operating instructions.

## 3 Transport and storage

The product may be damaged as a result of improper transport or storage.

### NOTICE

#### **INCORRECT HANDLING**

- Verify compliance with the specified ambient conditions during transport or storage of the product.
- Use the original packaging when transporting the product.
- Store the product in a clean and dry environment.
- Verify that the product is protected against shocks and impact during transport and storage.

**Failure to follow these instructions can result in equipment damage.**

---

## 4 Product description

Depending on the composition of the tank system, the withdrawal system consists of a base unit and extensions.

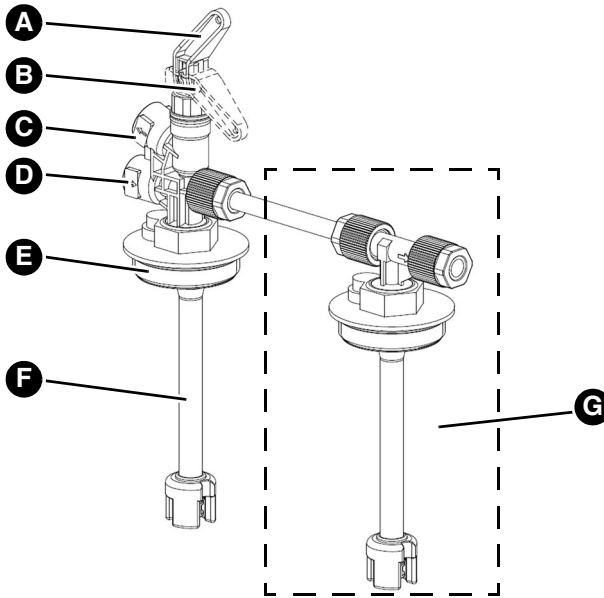
The withdrawal system is communicating and can be used as a single-line system or a dual-line system.

The oil is withdrawn evenly from all tanks in the tank system through the withdrawal line. In the case of major withdrawal volumes, corresponding differences can arise, which are balanced out during standstill via the communicating withdrawal system.

The withdrawal system is designed for a maximum consumption of 100 l/h. Only for continuous dual-line operation for more than 3 hours (for example, emergency power generators), the maximum permissible withdrawal volume is 50 l/h. Please get in touch with us for higher capacities.

## 4.1 Overview

### Withdrawal system with screw fitting



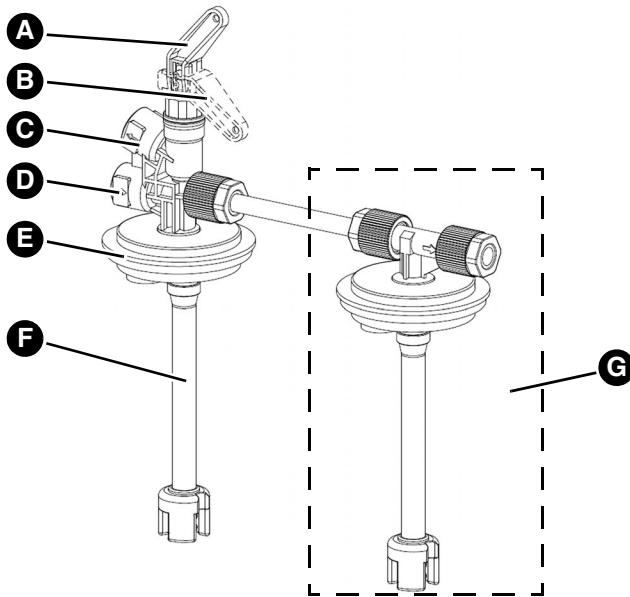
- A. Quick-action shut-off valve open
- B. Quick-action shut-off valve closed
- C. Flow  $G^{3/8}$
- D. Return  $G^{3/8}$

- E. Screw fitting G2
- F. Suction hose
- G. Extension

Figure 1: Overview withdrawal system with screw fitting



## Withdrawal system with disc flange



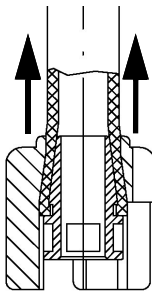
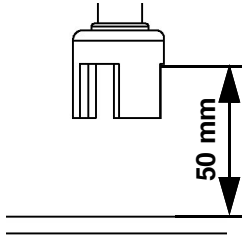
- A. Quick-action shut-off valve open
- B. Quick-action shut-off valve closed
- C. Flow  $G^{3/8}$
- D. Return  $G^{3/8}$
- E. Disc flange  $\varnothing 68$
- F. Suction hose
- G. Extension

Figure 2: Overview withdrawal system with disc flange

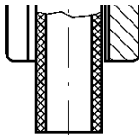
## 5 Mounting

### 5.1 Shortening the suction hose

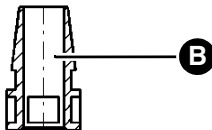
⇒ Verify that the suction hose ends 50 mm above the bottom.

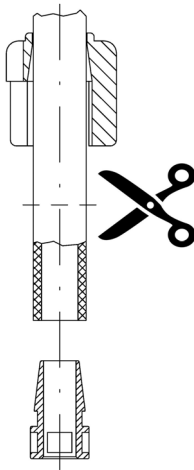


1. Push the bottom part (A) towards the top.

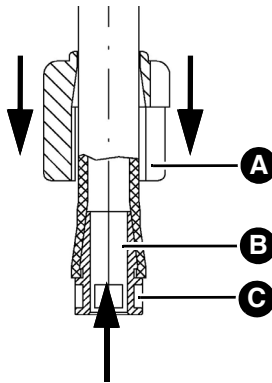


2. Remove the cone (B).





3. Shorten the suction hose.



4. Push the cone (B) into the hose up to the groove (C).

5. Pull the bottom part (A) towards the end of the hose.

- The bottom part must no longer be able to come loose by itself.

## 5.2 Mounting the product

Mount the product to the first tank in direction of filling.

### 5.2.1 Mounting the product with screw fitting

Screw the product into the tank connection.

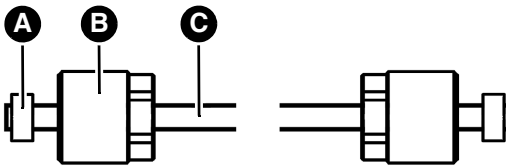
### 5.2.2 Mounting the product with disc flange

Secure the product including the sealing ring with the union nut o the tank.

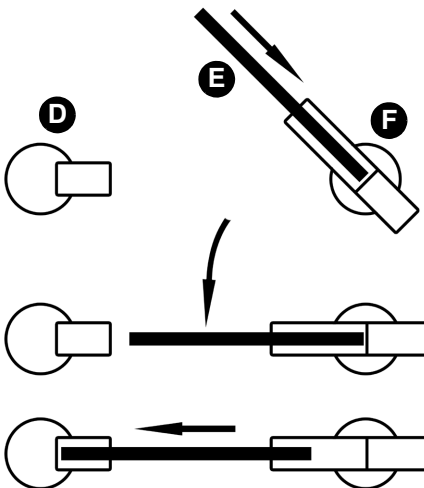
## 5.3 Mounting extensions

The type of mounting applies to all extensions of the withdrawal system.

- ⇒ Verify that the base unit is mounted on the first tank (viewing in direction of filling).
- 1. Screw the screw fitting of the extension into the tank connection and align the extension.
  - In the case of the disc flange version, fasten the extension including the sealing ring with the union nut of the tank and align it.

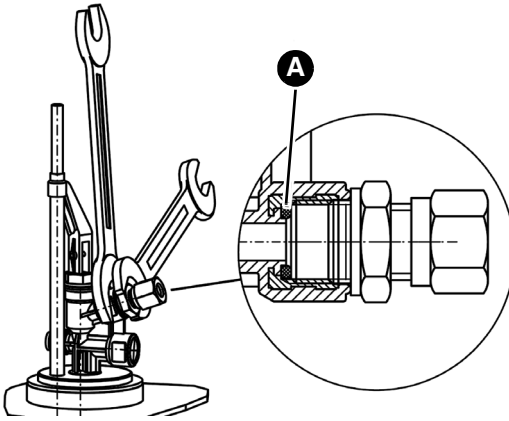


- 2. Push union nuts (B) and sealing rings (A) over both ends of the withdrawal pipe (C).

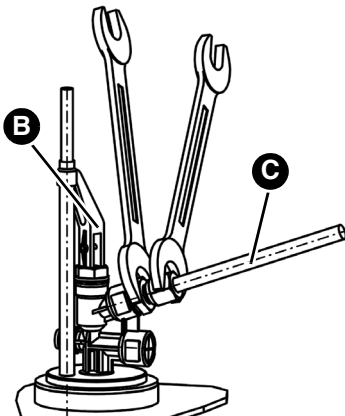


- 3. Mount the withdrawal pipe (E) to the extension (F).
- 4. Swivel the withdrawal pipe (E) into position.
- 5. Mount the withdrawal pipe (E) to the base unit or the previous extension (D).
- 6. Close the last T-piece with a blind plug and a union nut.

## 5.4 Connecting the on-site pipes



1. Place the O ring  $\varnothing 9 \times 3$  mm (A) into the connection piece.
2. Fit the screwed pipe connection  $G^{3/8}$  DIN 2353.
3. Counter with an open ended spanner (size 24) at the fitting and tighten the screwed pipe connection with a maximum of 20 Nm.



4. Insert the pipe (C) into the screw connection.
5. Counter the body of the screwed pipe connection and tighten the nut.
6. Verify correct connection of all screwed connections.
7. Set the valve lever (B) to the vertical position (= open).  
- The system is ready for operation.

If the withdrawal system is used as a single-line system, the return line must be sealed with the enclosed screw plug.

## 6 Maintenance

The product is maintenance-free.

### 6.1 Use in flood hazard areas

The product is suitable for use in flood hazard areas; it is watertight up to 10 mH<sub>2</sub>O (1 bar pressure).

After a flood, the product does not have to be replaced.

## 7 Decommissioning, disposal

Dispose of the product in compliance with all applicable directives, standards and safety regulations.

1. Dismount the product (see chapter "Mounting", reverse sequence of steps).
2. Dispose of the product.

## 8 Returning the device

Get in touch with us before returning your product ([service@afriso.de](mailto:service@afriso.de)).

## 9 Warranty

See our terms and conditions at [www.afriso.com](http://www.afriso.com) or your purchase contract for information on warranty.

## 10 Spare parts and accessories



### NOTICE

#### UNSUITABLE PARTS


- Only use genuine spare parts and accessories provided by the manufacturer.

**Failure to follow these instructions can result in equipment damage.**

#### Product

Product designation	Part no.	Figure
Base unit without level sensor GWG disc flange	20625	
Base unit flange G2	20627	

#### Spare parts and accessories

Product designation	Part no.	Figure
Extension disc flange	20626	
Extension flange G2	20628	