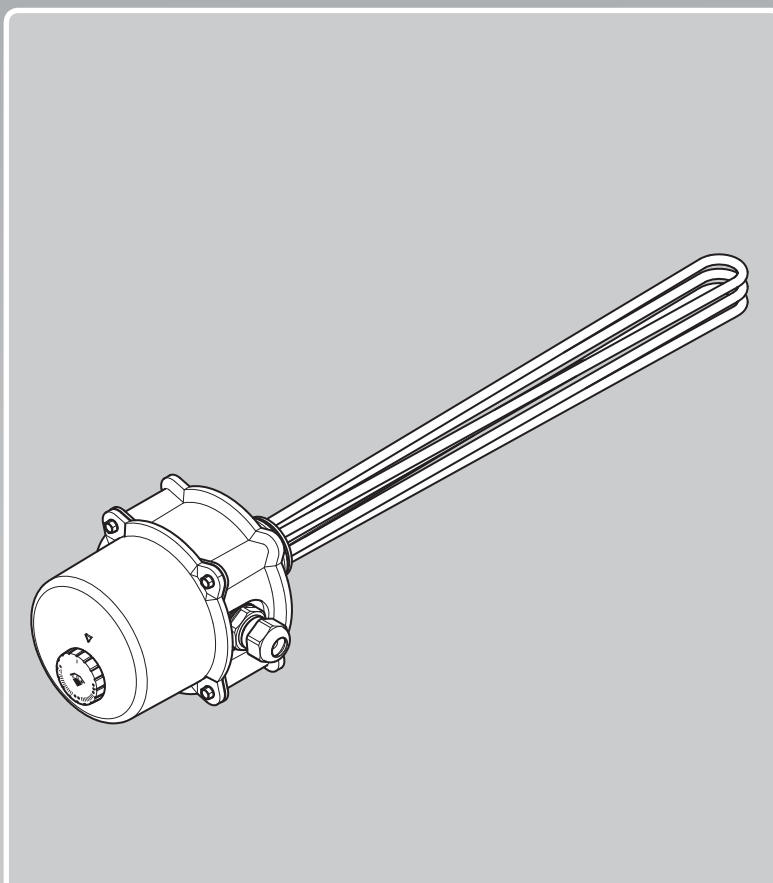


**en** Operating instructions  
**en** Installation instructions  
**dk** Betjeningsvejledning  
**dk** Installationsvejledning  
**de** Betriebsanleitung  
**de** Installationsanleitung  
**es** Instrucciones de funcionamiento  
**es** Instrucciones de instalación  
**fr** Notice d'emploi  
**fr** Notice d'installation  
**hr** Upute za korištenje  
**hr** Upute za instaliranje  
**hu** Kezelési útmutató  
**hu** Szerelési útmutató  
**it** Istruzioni per l'uso  
**it** Istruzioni per l'installazione  
**mk** Упатство за користење  
**mk** Упатство за инсталација  
**nl** Gebruiksaanwijzing  
**nl** Installatiehandleiding  
**pl** Instrukcja obsługi  
**pl** Instrukcja instalacji  
**ru** Руководство по эксплуатации  
**ru** Руководство по монтажу  
**sk** Návod na obsluhu  
**sk** Návod na inštaláciu  
**sl** Navodila za uporabo  
**sl** Navodila za namestitev  
**sq** Manuali i përdorimit  
**sq** Udhëzuesi i instalimit  
**sr** Uputstvo za rad  
**sr** Uputstvo za instalaciju  
**tr** Kullanma kılavuzu  
**tr** Montaj kılavuzu  
**zh** 使用说明  
**zh** 安装说明  
**en** Country specifics



0020230734

**Publisher/manufacturer**

**Vaillant GmbH**

Berghauser Str. 40 ■ D-42859 Remscheid  
Tel. +49 21 91 18-0 ■ Fax +49 21 91 18-2810  
info@vaillant.de ■ www.vaillant.de



en	Operating instructions .....	1
en	Installation instructions .....	6
dk	Betjeningsvejledning .....	13
dk	Installationsvejledning .....	18
de	Betriebsanleitung .....	25
de	Installationsanleitung .....	30
es	Instrucciones de funcionamiento .....	37
es	Instrucciones de instalación .....	42
fr	Notice d'emploi .....	50
fr	Notice d'installation .....	55
hr	Upute za korištenje .....	63
hr	Upute za instaliranje .....	68
hu	Kezelési útmutató .....	75
hu	Szerelési útmutató .....	80
it	Istruzioni per l'uso .....	87
it	Istruzioni per l'installazione .....	92
mk	Упатство за користење .....	100
mk	Упатство за инсталација .....	105
nl	Gebruiksaanwijzing .....	113
nl	Installatiehandleiding .....	118
pl	Instrukcja obsługi .....	125
pl	Instrukcja instalacji .....	130
ru	Руководство по эксплуатации .....	137
ru	Руководство по монтажу .....	142
sk	Návod na obsluhu .....	149
sk	Návod na inštaláciu .....	154
sl	Navodila za uporabo .....	161
sl	Navodila za namestitvev .....	166
sq	Manuali i përdorimit .....	173
sq	Udhëzuesi i instalimit .....	178
sr	Uputstvo za rad .....	185
sr	Uputstvo za instalaciju .....	190
tr	Kullanma kılavuzu .....	197
tr	Montaj kılavuzu .....	202
zh	使用说明 .....	209
zh	安装说明 .....	213
en	Country specifics .....	220

## Operating instructions

### Contents

<b>1</b>	<b>Safety</b> .....	<b>2</b>
1.1	Action-related warnings .....	2
1.2	Intended use .....	2
1.3	General safety information .....	2
1.4	Regulations (directives, laws, standards) .....	3
<b>2</b>	<b>Notes on the documentation</b> .....	<b>4</b>
2.1	Observing other applicable documents .....	4
2.2	Storing documents .....	4
2.3	Validity of the instructions .....	4
<b>3</b>	<b>Product description</b> .....	<b>4</b>
3.1	Design of the product .....	4
3.2	CE label .....	4
<b>4</b>	<b>Operation</b> .....	<b>4</b>
4.1	Overview of the setting control functions .....	4
<b>5</b>	<b>Troubleshooting</b> .....	<b>4</b>
5.1	Detecting and rectifying faults .....	4
<b>6</b>	<b>Care and maintenance</b> .....	<b>5</b>
6.1	Caring for the product .....	5
<b>7</b>	<b>Decommissioning</b> .....	<b>5</b>
7.1	Temporarily decommissioning the product .....	5
7.2	Permanently decommissioning the product .....	5
7.3	Recycling and disposal .....	5
<b>8</b>	<b>Guarantee and customer service</b> .....	<b>5</b>
8.1	Guarantee .....	5
8.2	Customer service .....	5

# 1 Safety

## 1 Safety

### 1.1 Action-related warnings

#### Classification of action-related warnings

The action-related warnings are classified in accordance with the severity of the possible danger using the following warning signs and signal words:

#### Warning symbols and signal words



##### **Danger!**

Imminent danger to life or risk of severe personal injury



##### **Danger!**

Risk of death from electric shock



##### **Warning.**

Risk of minor personal injury



##### **Caution.**

Risk of material or environmental damage

### 1.2 Intended use

There is a risk of injury or death to the user or others, or of damage to the product and other property in the event of improper use or use for which it is not intended.

The electrical immersion heater is used to heat the standby section on the VIH R 300 - 500 and VIH S 300 - 500 domestic hot water cylinder. It is specially designed as back-up heating.

Intended use includes the following:

- observance of the operating instructions included for the product and any other system components
- compliance with all inspection and maintenance conditions listed in the instructions.

This product can be used by children aged from 8 years and above and persons with reduced physical, sensory or mental capabilities or lack of experience and knowledge if they have been given supervision or instruction concerning use of the product in a safe way and understand the hazards involved. Children must not play with the product. Cleaning and user maintenance work must not be carried out by children unless they are supervised.

Any other use that is not specified in these instructions, or use beyond that specified in this document shall be considered improper use. Any direct commercial or industrial use is also deemed to be improper.

#### **Caution.**

Improper use of any kind is prohibited.

### 1.3 General safety information

#### 1.3.1 Danger caused by improper operation

Improper operation may present a danger to you and others, and cause material damage.

- ▶ Carefully read the enclosed instructions and all other applicable documents, particularly the "Safety" section and the warnings.
- ▶ Only carry out the activities for which instructions are provided in these operating instructions.

#### 1.3.2 Risk of material damage caused by frost

- ▶ Ensure that the heating installation always remains in operation during freezing conditions and that all rooms are sufficiently heated.
- ▶ If you cannot ensure the operation, have a competent person drain the heating installation.

#### 1.3.3 Risk of death due to changes to the product or the product environment

- ▶ Never remove, bridge or block the safety devices.
- ▶ Do not tamper with any of the safety devices.
- ▶ Do not damage or remove any seals on components.
- ▶ Do not make any changes:
  - The product itself
  - The water and electricity supply lines
  - to the expansion relief valve
  - to the drain pipework
  - to constructional conditions that may affect the operational reliability of the product

### **1.3.4 Risk of injury and material damage due to maintenance and repairs carried out incorrectly or not carried out at all**

- ▶ Never attempt to carry out maintenance work or repairs on your product yourself.
- ▶ Faults and damage should be immediately rectified by a competent person.
- ▶ Adhere to the maintenance intervals specified.

### **1.4 Regulations (directives, laws, standards)**

- ▶ Observe the national regulations, standards, guidelines and laws.

## 2 Notes on the documentation

### 2 Notes on the documentation

#### 2.1 Observing other applicable documents

- ▶ You must observe all operating instructions enclosed with the system components.

#### 2.2 Storing documents

- ▶ Keep this manual and all other applicable documents safe for future use.

#### 2.3 Validity of the instructions

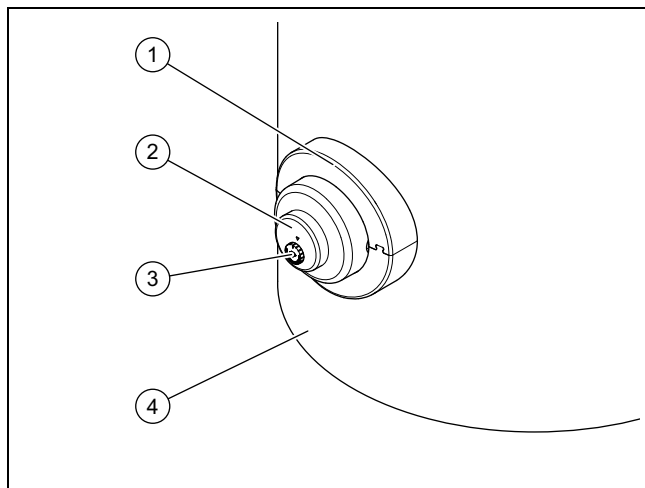
These instructions apply only to:

##### Product article number

Electrical immersion heater	0020230734
-----------------------------	------------

## 3 Product description

### 3.1 Design of the product



- |                                |  |
|--------------------------------|--|
| 1 Data plate (under the cover) | 3 Domestic hot water temperature setting control |
| 2 Electrical immersion heater  | 4 Cylinder                                       |

### 3.2 CE label



The CE label shows that the products comply with the basic requirements of the applicable directives as stated on the identification plate.

The declaration of conformity can be viewed at the manufacturer's site.

## 4 Operation

### 4.1 Overview of the setting control functions

Setting control position	Function
	OFF
	Frost protection
	Water temperature approx. 40 °C
	Water temperature approx. 60 °C
	Water temperature approx. 70 °C
	Normal operation Water temperature approx. 65 °C

## 5 Troubleshooting

### 5.1 Detecting and rectifying faults

**Conditions:** Domestic hot water temperature does not reach the set temperature

- ▶ The safety cut-out may have been tripped. Inform a competent person.

### 6 Care and maintenance

#### 6.1 Caring for the product



**Caution.**

**Risk of material damage caused by unsuitable cleaning agents.**

- ▶ Do not use sprays, scouring agents, detergents, solvents or cleaning agents that contain chlorine.

- ▶ Clean the casing with a damp cloth and a little solvent-free soap.

### 7 Decommissioning

#### 7.1 Temporarily decommissioning the product

1. Set the settings control to the "OFF" position.
2. Ensure that sufficient frost protection is guaranteed.

#### 7.2 Permanently decommissioning the product

- ▶ Have a competent person permanently decommission the product.

#### 7.3 Recycling and disposal



If the product is labelled with this mark:

- ▶ In this case, do not dispose of the product with the household waste.
- ▶ Instead, hand in the product to a collection centre for waste electrical or electronic equipment.



If the product contains batteries that are labelled with this mark, these batteries may contain substances that are hazardous to human health and the environment.

- ▶ In this case, dispose of the batteries at a collection point for batteries.

### 8 Guarantee and customer service

#### 8.1 Guarantee

For information on the manufacturer's guarantee, please write to the contact address that is provided in the appendix.

#### 8.2 Customer service

The contact details for our customer service are provided in the appendix or on our website.

# Contents

## Installation instructions

### Contents

<b>1</b>	<b>Safety</b> .....	<b>7</b>
1.1	Action-related warnings .....	7
1.2	Intended use .....	7
1.3	General safety information .....	7
1.4	Regulations (directives, laws, standards) .....	8
<b>2</b>	<b>Notes on the documentation</b> .....	<b>9</b>
2.1	Observing other applicable documents .....	9
2.2	Storing documents .....	9
2.3	Validity of the instructions .....	9
<b>3</b>	<b>Product description</b> .....	<b>9</b>
3.1	Design of the product .....	9
3.2	CE label .....	9
<b>4</b>	<b>Installation</b> .....	<b>9</b>
4.1	Checking the scope of delivery .....	9
<b>5</b>	<b>Installation</b> .....	<b>9</b>
5.1	Removing the inspection opening .....	10
5.2	Installing the electrical immersion heater .....	10
5.3	Establishing the power supply .....	10
5.4	Electrical installation .....	10
<b>6</b>	<b>Start-up</b> .....	<b>11</b>
6.1	Starting up the electrical immersion heater .....	11
<b>7</b>	<b>Troubleshooting</b> .....	<b>11</b>
7.1	Function of the safety cut-out .....	11
7.2	Releasing the safety cut-out after shutdown .....	11
<b>8</b>	<b>Decommissioning</b> .....	<b>12</b>
8.1	Decommissioning the product .....	12
8.2	Recycling and disposal .....	12
<b>9</b>	<b>Customer service</b> .....	<b>12</b>
9.1	Customer service .....	12
<b>10</b>	<b>Technical data</b> .....	<b>12</b>



## 1 Safety

### 1.1 Action-related warnings

#### Classification of action-related warnings

The action-related warnings are classified in accordance with the severity of the possible danger using the following warning signs and signal words:

#### Warning symbols and signal words



#### **Danger!**

Imminent danger to life or risk of severe personal injury



#### **Danger!**

Risk of death from electric shock



#### **Warning.**

Risk of minor personal injury



#### **Caution.**

Risk of material or environmental damage

### 1.2 Intended use

There is a risk of injury or death to the user or others, or of damage to the product and other property in the event of improper use or use for which it is not intended.

The electrical immersion heater is used to heat the standby section on the VIH R 300 - 500 and VIH S 300 - 500 domestic hot water cylinder. It is specially designed as back-up heating.

Intended use includes the following:

- observance of accompanying operating, installation and servicing instructions for the product and any other system components
- installing and fitting the product in accordance with the product and system approval
- compliance with all inspection and maintenance conditions listed in the instructions.

Intended use also covers installation in accordance with the IP class.

Any other use that is not specified in these instructions, or use beyond that specified in this document shall be considered improper use. Any direct commercial or industrial use is also deemed to be improper.

#### **Caution.**

Improper use of any kind is prohibited.

### 1.3 General safety information

#### 1.3.1 Risk caused by inadequate qualifications

**Applicability:** Not for Russia

The following work must only be carried out by competent persons who are sufficiently qualified to do so:

**Applicability:** Russia

The following work must only be carried out by Vaillant-certified competent persons who are sufficiently qualified to do so:

- Set-up
- Dismantling
- Installation
- Start-up
- Inspection and maintenance
- Repair
- Decommissioning
- ▶ Observe all instructions that are included with the product.
- ▶ Proceed in accordance with the current technology.
- ▶ Observe all applicable directives, standards, laws and other regulations.

#### 1.3.2 Risk of death from electric shock

There is a risk of death from electric shock if you touch live components.

Before commencing work on the product:

- ▶ Disconnect the product from the power supply by switching off all power supplies at all poles (electrical partition with a contact opening of at least 3 mm, e.g. fuse or line protection switch).
- ▶ Secure against being switched back on again.
- ▶ Check that there is no voltage.

#### 1.3.3 Risk of material damage caused by frost

- ▶ Do not install the product in rooms prone to frost.

# 1 Safety

## 1.3.4 Risk of being burned or scalded by hot components

- ▶ Only carry out work on these components once they have cooled down.

## 1.3.5 Risk of material damage caused by using an unsuitable tool

- ▶ Use the correct tool to tighten or loosen screw connections.

## 1.3.6 Risk of death due to lack of safety devices

The schematic drawings included in this document do not show all safety devices required for correct installation.

- ▶ Install the necessary safety devices in the system.
- ▶ Observe the applicable national and international laws, standards and guidelines.

## 1.4 Regulations (directives, laws, standards)

- ▶ Observe the national regulations, standards, guidelines and laws.

## 2 Notes on the documentation

### 2.1 Observing other applicable documents

- ▶ You must observe all the operating and installation instructions included with the system components.

### 2.2 Storing documents

- ▶ Pass these instructions and all other applicable documents on to the system operator.

### 2.3 Validity of the instructions

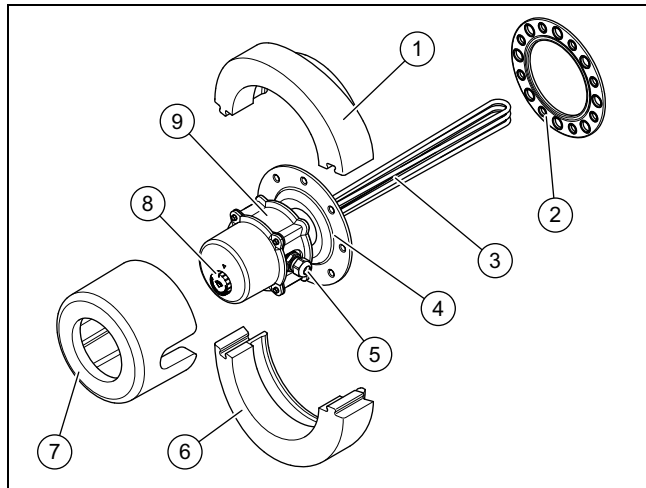
These instructions apply only to:

#### Product article number

Electrical immersion heater	0020230734
-----------------------------	------------

## 3 Product description

### 3.1 Design of the product



- |   |  |   |   |
|---|--|---|---|
| 1 | Insulating element for the upper half-ring                 | 5 | PG screwed connection for the electrical connection |
| 2 | Inspection opening seal                                    | 6 | Insulating element for the lower half-ring          |
| 3 | Immersion heaters  | 7 | Insulating sleeve for the immersion heater head     |
| 4 | Reducing flange, pre-installed with seal to the screw head | 8 | Setting control                                     |
|   |  | 9 | Data plate  |

### 3.2 CE label



The CE label shows that the products comply with the basic requirements of the applicable directives as stated on the identification plate.

The declaration of conformity can be viewed at the manufacturer's site.

## 4 Installation

### 4.1 Checking the scope of delivery

- ▶ Check that the scope of delivery is complete and intact.

Number	Designation
1	Electrical immersion heater
1	Reducing flange
1	Inspection opening seal
1	Operating and installation instructions

## 5 Installation



#### Caution.

**Risk of material damage caused by corrosion and short circuit caused by incorrect earthing**

If you insert an electrical immersion heater into the cylinder, the existing external voltage may build up electrical potential in the water, which may result in the electromechanical corrosion of the electrical immersion heater.

- ▶ Ensure that both the domestic hot water and cold water pipes are directly connected to the cylinder via an earth cable to the main earth rail.
- ▶ You must also ensure that the electrical immersion heater is also connected to the main earth rail via the earthing terminal.

Only qualified electricians may carry out the electrical installation.

The electrical immersion heater must only be installed horizontally. Vertical installation is not permitted.

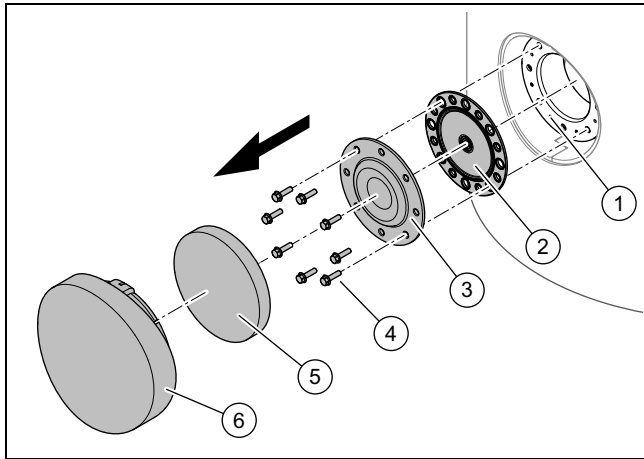
Use a power supply cable that is permitted for a temperature of 80 °C for the electrical connection.

Ensure that the domestic hot water cylinder is filled before you start up the electrical immersion heater.

To ensure that the electrical immersion heater can work for many years, the following minimum quality is recommended for the fresh water: Chloride content < 120 mg/l, water hardness < 2.4965 mmol/l (< 14°dH; < 24.987°fH; < 140 mg CaCO<sub>3</sub>/l; < 249.87 mg CaCO<sub>3</sub>/l; < 249.87 ppm (mg CaCO<sub>3</sub>/l)). If the water hardness is higher, we recommend using a water softener.

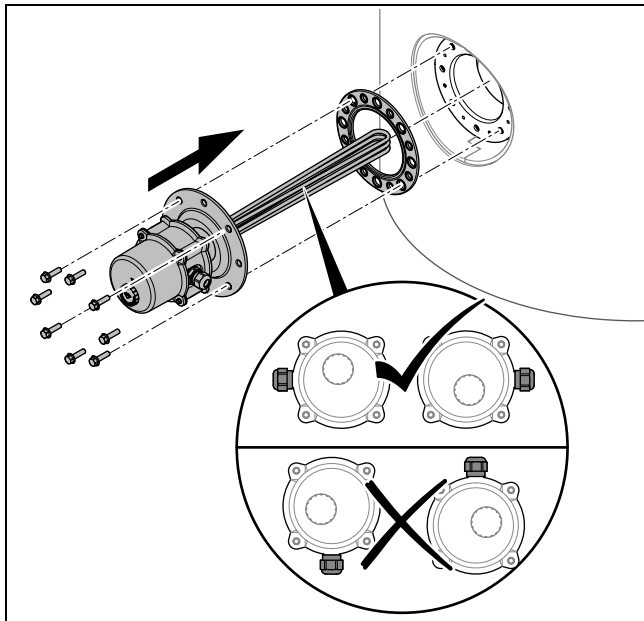
## 5 Installation

### 5.1 Removing the inspection opening



1. Disconnect the domestic hot water cylinder from the power supply, if required.
2. Drain the domestic hot water cylinder.
3. Remove the insulating elements (5) and (6).
4. Remove the screws (4) for securing the cover (3) for the inspection opening (1).
5. Remove the cover and seal (2).

### 5.2 Installing the electrical immersion heater



1. Use the new seal that is supplied for the inspection opening.



#### **Danger!**

#### **Risk of material damage caused by over-tightening the thread**

The reducing flange is pre-installed with a specific torque on the thread of the electrical immersion heater, meaning that the drilling hole pattern and immersion heaters are at the ideal distance from each other. If you further tighten the reducing flange on the thread for the electrical immersion heater, this may damage the thread.

- ▶ Install the electrical immersion heater with pre-installed reducing flange as supplied.

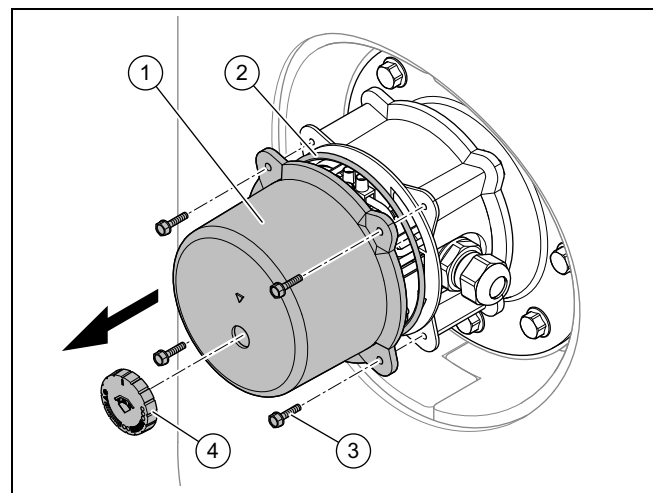
2. Install the electrical immersion heater as shown.
3. Tighten the screws on the reducing flange in a cross-wise pattern.

### 5.3 Establishing the power supply

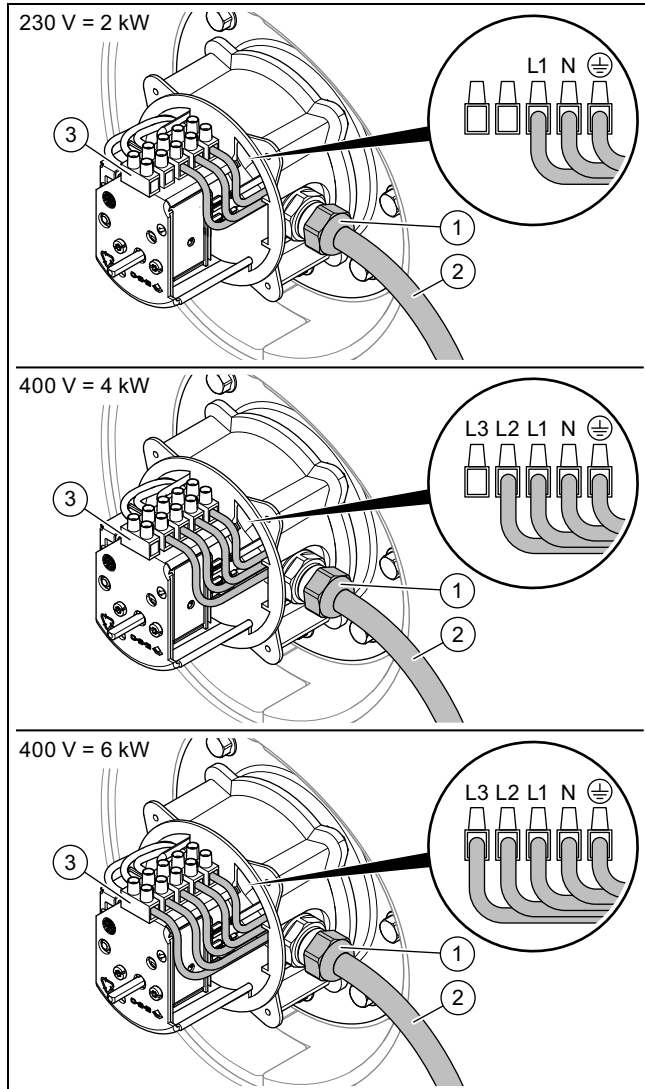
The external power supply cable must be earthed and connected with the correct polarity and in accordance with the valid regulations.

- ▶ For the wired power supply, install an all-pole partition from the network with a contact opening width of at least 3 mm per pole (e.g. fuses or power switches).

### 5.4 Electrical installation



1. Remove the rotary knob (4) from the setting control.
2. Remove the four hex screws (3).
3. Remove the connector housing (1) and the seal (2).

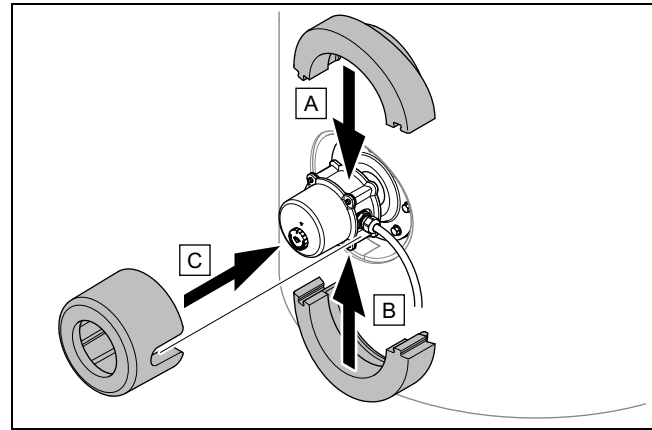


4. Guide the cable (2) through the power supply opening and into the housing, and secure it using the PG screwed connection (1).
  - Recommended tightening torque:  $\leq 6.0$  Nm
5. Connect the conductors to the terminal block (3).
6. Fit the seal and connector housing, and install the four hex screws.
  - Recommended tightening torque:  $\leq 1.9$  Nm
7. Fit the rotary knob on the setting control.

## 6 Start-up

### 6.1 Starting up the electrical immersion heater

1. Fill the domestic hot water cylinder.
2. Check the inspection opening for leaks.



3. Install the insulating elements.
4. Switch on the power supply.
5. Use the setting wheel to set the temperature to which you want to heat the electrical immersion heater.

## 7 Troubleshooting

### 7.1 Function of the safety cut-out

If the water temperature in the cylinder rises above 95 °C, the safety cut-out (SCO) on the electrical immersion heater switches off the power supply.

### 7.2 Releasing the safety cut-out after shutdown



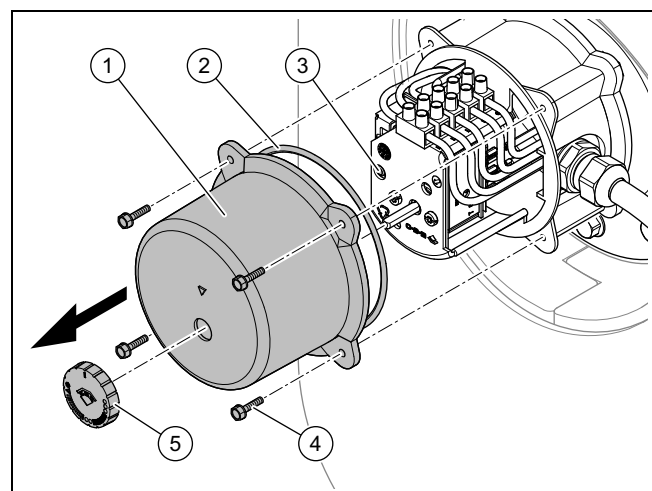
#### Caution.

**Risk of material damage caused by over-heating!**

If the fault that caused the product to shut down is not rectified, the product may become damaged.

- ▶ Do not switch the safety cut-out back on until the cause of the fault that triggered the safety cut-out has been eliminated.

1. Switch off the power supply.
2. Remove the insulating elements from the electrical immersion heater.



3. Remove the rotary knob (5) from the setting control.

## 8 Decommissioning

4. Remove the four hex screws (4).
5. Remove the connector housing (1) and the seal (2).
6. Push in the release button for the safety cut-out (3).
7. Fit the seal and the connector housing, and install the four hex screws.
8. Fit the rotary knob on the setting control.
9. Install the insulating elements.
10. Switch on the power supply.

## 8 Decommissioning

### 8.1 Decommissioning the product

1. Switch off the power supply to the electrical immersion heater.
2. Disconnect the power supply.
3. Drain the domestic hot water cylinder.
4. Remove the electrical immersion heater.
5. Install the seal and inspection-opening cover.
6. Install the cover for the inspection opening.

### 8.2 Recycling and disposal

#### Disposing of the packaging

- ▶ Dispose of the packaging correctly.
- ▶ Observe all relevant regulations.

## 9 Customer service

### 9.1 Customer service

The contact details for our customer service are provided in the appendix or on our website.

## 10 Technical data

	Electrical immersion heater 2-6 kW
Nominal output	2; 4; 6 kW
Permissible environmental temperature during operation	0 ... 40 °C
Permissible air humidity in %	< 75 (long-term storage); < 93 (during transport)
Recommended max. water hardness for potable water	≤ 14 °dH
Temperature adjustment range	28 ... 70 °C
Permissible temperature for the water storage	7 ... 85 °C
Domestic hot water operating temperature	65 °C
Max. cylinder temperature for potable water	≤ 95 °C
Max. operating pressure for potable water	≤ 1 MPa (≤ 10 bar)
Thermal cut-off protection for dry running	95 °C <sup>+8 K</sup>
Min. frost protection temperature	≥ 7 °C

	Electrical immersion heater 2-6 kW
Max. temperature of the immersion heater head	≤ 95 °C
Max. temperature of the surface of the immersion heater	≤ 150 °C
Max. area output	Max. 14.1 W/cm <sup>3</sup>
Insert length (immersion depth)	450 mm
Insert diameter	≈ 36.5 mm
Diameter of the immersion heater	6.5 mm
Immersion heater material	2.4858/Incoloy 825
Immersion heater head material	1.4404
Width across flats of the immersion heater head	WAF 60 mm
Threaded connection	G 1 1/2 B inch
Recommended tightening torque for the immersion heater head	90 ... 100 Nm
Length of the immersion heater head	≈ 160 mm
Connector housing material	PA6 GF30
Net weight of the immersion heater head	1.36 kg
Power supply	1 N PE ~230 V AC/50 Hz 1x 16 A; 3 N PE ~400 V AC/50 Hz 3 x 16 A
IP rating	IP54 (DIN EN 60529)
Electrical protection class	I
Overvoltage category	II

## Betjeningsvejledning

### Indhold

<b>1</b>	<b>Sikkerhed.....</b>	<b>14</b>
1.1	Handlingsrelaterede advarsler.....	14
1.2	Korrekt anvendelse.....	14
1.3	Generelle sikkerhedsanvisninger .....	14
1.4	Forskrifter (direktiver, love, standarder).....	15
<b>2</b>	<b>Henvisninger vedrørende dokumentationen.....</b>	<b>16</b>
2.1	Overholdelse af øvrig dokumentation.....	16
2.2	Opbevaring af dokumentation .....	16
2.3	Vejledningens gyldighed.....	16
<b>3</b>	<b>Produktbeskrivelse.....</b>	<b>16</b>
3.1	Produktets opbygning .....	16
3.2	CE-mærkning.....	16
<b>4</b>	<b>Drift .....</b>	<b>16</b>
4.1	Funktionsoversigt indstillingsregulator.....	16
<b>5</b>	<b>Afhjælpning af fejl .....</b>	<b>17</b>
5.1	Fejlfinding og -afhjælpning .....	17
<b>6</b>	<b>Rengøring og vedligeholdelse .....</b>	<b>17</b>
6.1	Vedligeholdelse af produktet .....	17
<b>7</b>	<b>Standsning .....</b>	<b>17</b>
7.1	Midlertidig standsning af produktet.....	17
7.2	Endelig standsning af produktet .....	17
7.3	Genbrug og bortskaffelse .....	17
<b>8</b>	<b>Garanti og kundeservice.....</b>	<b>17</b>
8.1	Garanti .....	17
8.2	Kundeservice .....	17

# 1 Sikkerhed

## 1 Sikkerhed

### 1.1 Handlingsrelaterede advarsler

#### Klassificering af handlingsrelaterede advarsler

De handlingsrelaterede advarsler er forsynet med advarselssymboler og signalord, der passer til farens mulige omfang.

#### Advarselssymboler og signalord



##### Fare!

Umiddelbar livsfare eller fare for alvorlige kvæstelser



##### Fare!

Livsfare – elektrisk stød



##### Advarsel!

Fare for lette kvæstelser



##### Forsigtig!

Risiko for materielle skader eller miljøskader

### 1.2 Korrekt anvendelse

Alligevel kan brugeren eller tredjemand udsættes for fare, evt. med døden til følge, og produktet samt andre ting kan blive beskadiget som følge af enhver form for forkert brug.

Varmestaven bruges til opvarmning af beredningsdelen af varmtvandsbeholderne VIH R 300 - 500 og VIH S 300 - 500. Den er især beregnet til ekstraopvarmning.

Korrekt anvendelse omfatter:

- overholdelse af den medfølgende driftsvejledning til produktet samt alle andre komponenter i anlægget
- overholdelse af alle de eftersyns- og servicebetjninger, der fremgår af vejledningerne.

Dette produkt kan anvendes af børn fra 8 år og derover samt af personer med begrænsede fysiske eller intellektuelle evner eller manglende erfaring og viden, såfremt de er under opsyn eller er blevet undervist i sikker brug af produktet og den dermed forbundne fare. Børn må ikke lege med produktet. Rengøring og vedligeholdelse foretaget af brugeren må ikke udføres af børn, medmindre de er under opsyn.

Anden anvendelse end den, der er beskrevet i denne vejledning, og anvendelse, der går

ud over den her beskrevne, er forkert. Forkert anvendelse omfatter også enhver umiddelbar kommerciel og industriel anvendelse.

#### Bemærk!

Enhver ikke-godkendt anvendelse er forbudt.

### 1.3 Generelle sikkerhedsanvisninger

#### 1.3.1 Fare som følge af forkert betjening

Ved fejlbetjening kan du udsætte dig selv og andre for skade.

- ▶ Læs den foreliggende vejledning og alle andre gyldige bilag grundigt, herunder især kapitlet "Sikkerhed" samt advarselshenvisningerne.
- ▶ Udfør kun de aktiviteter, som er beskrevet i den foreliggende driftsvejledning.

#### 1.3.2 Risiko for materiel skade på grund af frost

- ▶ Det er vigtigt, at varmeanlægget altid er tændt i frostvejr, og at alle rum opvarmes nok.
- ▶ Hvis du ikke kan sikre driften, skal du få en VVS-installatør til at tømme varmeanlægget.

#### 1.3.3 Livsfare ved ændringer på produktet eller i produktets omgivelser

- ▶ Fjern, afbryd eller bloker aldrig sikkerhedsanordningerne.
- ▶ Foretag ikke ændringer af sikkerhedsudstyret.
- ▶ Plomberinger på komponenter må ikke ødelægges eller fjernes.
- ▶ Foretag ikke ændringer:
  - på produktet
  - på tilførselsledningerne til vand og strøm
  - på sikkerhedsventilen
  - på afløbene
  - på dele af bygningen, der kan have indflydelse på produktets driftssikkerhed



### **1.3.4 Fare for personskade og risiko for materiel skade som følge af forkert eller manglende vedligeholdelse og reparation**

- ▶ Forsøg aldrig selv at foretage vedligeholdelsesarbejder eller reparationer på produktet.
- ▶ Lad straks en VVS-installatør afhjælpe fejl og skader.
- ▶ Overhold de foreskrevne vedligeholdelsesintervaller.

### **1.4 Forskrifter (direktiver, love, standarder)**

- ▶ Overhold de gældende forskrifter, standarder, direktiver og love.

## 2 Henvisninger vedrørende dokumentationen

### 2 Henvisninger vedrørende dokumentationen

#### 2.1 Overholdelse af øvrig dokumentation

- ▶ Følg altid alle de driftsvejledninger, der leveres med anlæggets komponenter.

#### 2.2 Opbevaring af dokumentation

- ▶ Opbevar denne vejledning og alle andre gyldige bilag til videre brug.

#### 2.3 Vejledningens gyldighed

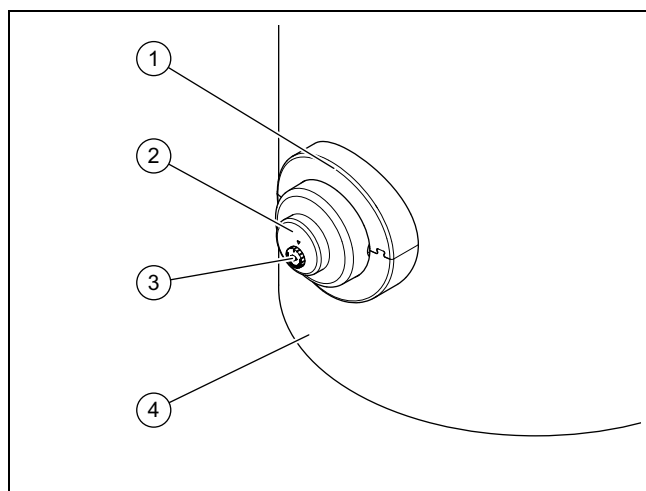
Denne vejledning gælder udelukkende for:

##### Produkt - artikelnummer

Elvarmestav	0020230734
-------------	------------

## 3 Produktbeskrivelse

### 3.1 Produktets opbygning



- |                                 |  |
|---------------------------------|--|
| 1 Typeskilt (under afdækningen) | 3 Indstillingsregulator varmtvandstemperatur |
| 2 Elvarmestav                   | 4 Beholder                                   |

### 3.2 CE-mærkning



CE-mærkningen dokumenterer, at produkterne i henhold til typeskiltet overholder de grundlæggende krav i de relevante direktiver.

Overensstemmelseserklæringen foreligger hos producenten.

## 4 Drift

### 4.1 Funktionsoversigt indstillingsregulator

Stilling indstillingsregulator	Funktion
	FRA
	Frostsikring
	Vandtemperatur ca. 40 °C
	Vandtemperatur ca. 60 °C
	Vandtemperatur ca. 70 °C
	Normal drift Vandtemperatur ca. 65 °C

### 5 Afhjælpning af fejl

#### 5.1 Fejlfinding og -afhjælpning

**Betingelser:** Varmtvandstemperatur når ikke den indstillede temperatur

- ▶ Sikkerhedstemperaturbegrænseren er evt. udløst. Kontakt en autoriseret installatør.

### 6 Rengøring og vedligeholdelse

#### 6.1 Vedligeholdelse af produktet



##### **Forsigtig!**

**Risiko for materiel skade på grund af uegnede rengøringsmidler!**

- ▶ Brug ikke spray, skuremidler, opvaskemidler, opløsningsmiddel- eller klorholdige rengøringsmidler.

- ▶ Rengør kabinettet med en fugtig klud og lidt sæbe, som ikke indeholder opløsningsmidler.

### 7 Standsning

#### 7.1 Midlertidig standsning af produktet

1. Anbring indstillingsregulatoren i stillingen "FRA".
2. Sørg for, at der er tilstrækkelig frostsikring.

#### 7.2 Endelig standsning af produktet

- ▶ Få en VVS-installatør til at tage produktet endeligt ud af drift.

#### 7.3 Genbrug og bortskaffelse



Hvis produkter er forsynet med dette mærke:

- ▶ Produktet må i så fald ikke bortskaffes sammen med almindeligt husholdningsaffald.
- ▶ Aflever i stedet produktet til et indsamlingssted for brugte elektriske og elektroniske apparater.



Hvis produktet indeholder batterier, der er forsynet med dette mærke, kan batterierne indeholde sundheds- eller miljøskadelige stoffer.

- ▶ Bortskaf i så fald batterierne på et indsamlingssted for batterier.

### 8 Garanti og kundeservice

#### 8.1 Garanti

Oplysninger om producentgaranti bedes indhentet under kontaktdressen i bilaget.

#### 8.2 Kundeservice

Kontaktdataene til vores kundeservice findes i vedhæftede eller på vores hjemmeside.

# Indhold

## Installationsvejledning

### Indhold

<b>1</b>	<b>Sikkerhed.....</b>	<b>19</b>
1.1	Handlingsrelaterede advarsler.....	19
1.2	Korrekt anvendelse.....	19
1.3	Generelle sikkerhedsanvisninger .....	19
1.4	Forskrifter (direktiver, love, standarder).....	20
<b>2</b>	<b>Henvisninger vedrørende dokumentationen.....</b>	<b>21</b>
2.1	Overholdelse af øvrig dokumentation .....	21
2.2	Opbevaring af dokumentation .....	21
2.3	Vejledningens gyldighed.....	21
<b>3</b>	<b>Produktbeskrivelse.....</b>	<b>21</b>
3.1	Produktets opbygning .....	21
3.2	CE-mærkning.....	21
<b>4</b>	<b>Montering .....</b>	<b>21</b>
4.1	Kontrol af leveringsomfanget.....	21
<b>5</b>	<b>Installation.....</b>	<b>21</b>
5.1	Afmontering af renseåbning .....	22
5.2	Montering af varrestav .....	22
5.3	Etablering af strømforsyningen.....	22
5.4	El-installation .....	22
<b>6</b>	<b>Idrifttagning.....</b>	<b>23</b>
6.1	Idrifttagning af varrestav .....	23
<b>7</b>	<b>Afhjælpning af fejl .....</b>	<b>23</b>
7.1	Sikkerhedstemperaturbegrænsers funktion.....	23
7.2	Frigøring af sikkerhedstemperaturbegræns- eren efter deaktivering .....	23
<b>8</b>	<b>Standning .....</b>	<b>24</b>
8.1	Standning af produktet.....	24
8.2	Genbrug og bortskaffelse .....	24
<b>9</b>	<b>Kundeservice .....</b>	<b>24</b>
9.1	Kundeservice .....	24
<b>10</b>	<b>Tekniske data .....</b>	<b>24</b>

## 1 Sikkerhed

### 1.1 Handlingsrelaterede advarsler

#### Klassificering af handlingsrelaterede advarsler

De handlingsrelaterede advarsler er forsynet med advarselssymboler og signalord, der passer til farens mulige omfang.

#### Advarselssymboler og signalord



##### Fare!

Umiddelbar livsfare eller fare for alvorlige kvæstelser



##### Fare!

Livsfare på grund af elektrisk stød



##### Advarsel!

Fare for lette kvæstelser



##### Forsigtig!

Risiko for materielle skader eller miljøskader

### 1.2 Korrekt anvendelse

Alligevel kan brugeren eller tredjemand udsættes for fare, evt. med døden til følge, og produktet samt andre ting kan blive beskadiget som følge af enhver form for forkert brug.

Varmestaven bruges til opvarmning af beredskabsdelen af varmtvandsbeholderne VIH R 300 - 500 og VIH S 300 - 500. Den er især beregnet til ekstraopvarmning.

Korrekt anvendelse omfatter:

- overholdelse af de medfølgende betjenings-, installations- og vedligeholdelsesvejledninger til produktet samt alle øvrige anlægskomponenter
- installation og montering i overensstemmelse med apparatets og systemets godkendelse
- overholdelse af alle de eftersyns- og servicebetingelser, der fremgår af vejledningerne.

Anvendelse i overensstemmelse med formålet omfatter desuden installation iht. IP-klassen.

Anden anvendelse end den, der er beskrevet i denne vejledning, og anvendelse, der går ud over den her beskrevne, er forkert. Forkert anvendelse omfatter også enhver umiddelbar kommerciel og industriel anvendelse.

### Bemærk!

Enhver ikke-godkendt anvendelse er forbudt.

### 1.3 Generelle sikkerhedsanvisninger

#### 1.3.1 Fare som følge af utilstrækkelig kvalifikation

**Gyldighed:** Ikke for Rusland

Følgende arbejder må kun udføres af en VVS-installatør med tilstrækkelige kvalifikationer:

**Gyldighed:** Rusland

Følgende arbejder må kun udføres af Vaillant certificerede VVS-installatører med tilstrækkelige kvalifikationer:

- Montering
- Afmontering
- Installation
- Idrifttagning
- Eftersyn og service
- Reparation
- Standsning
- ▶ Følg alle de vejledninger, der fulgte med produktet.
- ▶ Gå frem i henhold til den højeste standard.
- ▶ Overhold alle gældende retningslinjer, normer, love og andre forskrifter.

#### 1.3.2 Livsfare på grund af elektrisk stød

Hvis du rører ved spændingsførende komponenter, er der livsfare på grund af elektrisk stød.

Før du arbejder på produktet:

- ▶ Afbryd spændingen til produktet ved at slå alle strømforsyninger fra ved alle poler (afbryder med mindst 3 mm kontaktåbning, f.eks. sikring eller sikkerhedsafbryder).
- ▶ Husk at sikre mod genindkobling.
- ▶ Kontrollér for spændingsfrihed.

#### 1.3.3 Risiko for materiel skade på grund af frost

- ▶ Installer ikke produktet i rum med frostrisiko.

## 1 Sikkerhed

### 1.3.4 Fare for forbrænding eller skoldning som følge af varme komponenter

- ▶ Der må først udføres arbejde på komponenterne, når de er kølet af.

### 1.3.5 Risiko for materiel skade på grund af uegnet værktøj

- ▶ Brug korrekt værktøj til at løsne eller spænde skrueforbindelserne.

### 1.3.6 Livsfare – manglende sikkerhedsudstyr

Skemaerne i dette dokument viser ikke alt sikkerhedsudstyr, der er nødvendigt til korrekt installation.

- ▶ Installer det nødvendige sikkerhedsudstyr i anlægget.
- ▶ Overhold de gældende nationale og internationale love, standarder og direktiver.

### 1.4 Forskrifter (direktiver, love, standarder)

- ▶ Overhold de gældende forskrifter, standarder, direktiver og love.

## 2 Henvisninger vedrørende dokumentationen

### 2.1 Overholdelse af øvrig dokumentation

- ▶ Følg altid alle de drifts- og installationsvejledninger, der leveres med anlæggets komponenter.

### 2.2 Opbevaring af dokumentation

- ▶ Giv denne vejledning samt alle andre gældende bilag videre til den systemansvarlige ejer.

### 2.3 Vejledningens gyldighed

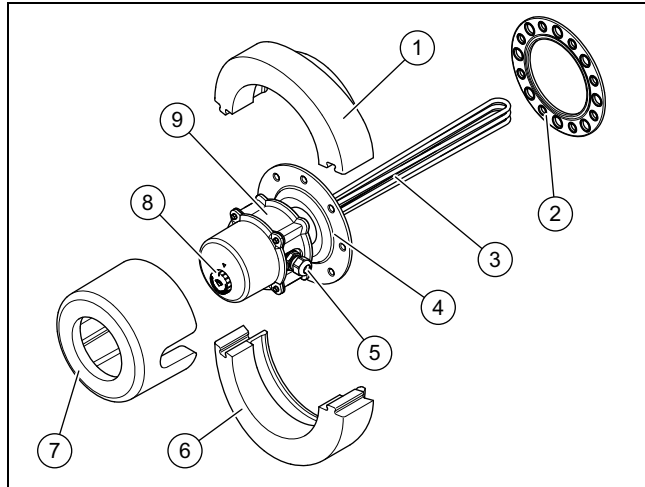
Denne vejledning gælder udelukkende for:

#### Produkt - artikelnummer

Elvarmestav	0020230734
-------------	------------

## 3 Produktbeskrivelse

### 3.1 Produktets opbygning



- |   |   |   |   |
|---|---|---|---|
| 1 | Isoleringselement til øverste halvring                    | 5 | PG-forskruing med el-tilslutning        |
| 2 | Pakning renseåbning                                       | 6 | Isoleringselement til nederste halvring |
| 3 | Varmestve   | 7 | Isoleringsmuffe varmestavshoved         |
| 4 | Reduceringsflange, med pakning til skruehoved formonteret | 8 | Indstillingsregulator                   |
|   |   | 9 | Typeskilt                               |

### 3.2 CE-mærkning



CE-mærkningen dokumenterer, at produkterne i henhold til typeskiltet overholder de grundlæggende krav i de relevante direktiver.

Overensstemmelseserklæringen foreligger hos producenten.

## 4 Montering

### 4.1 Kontrol af leveringsomfanget

- ▶ Kontrollér, at leveringsomfanget er komplet og ikke har mangler.

Mængde	Betegnelse
1	Elvarmestav
1	Reduceringsflange
1	Pakning renseåbning
1	Betjenings- og installationsvejledning

## 5 Installation



### Forsigtig!

**Risiko for tingsskader som følge af korrosion og kortslutning ved manglende jordning**

Når du sætter en elvarmestav i beholderen, kan der pga. den fremmede spænding opbygges et elektrisk potential i vandet, som kan forårsage elektrokemisk korrosion på elvarmestaven.

- ▶ Kontrollér, at både varmtvandsrørene og koldtvarmrørene er tilsluttet den primære jordningsskinne umiddelbart på beholderen via jordkablet.
- ▶ Kontrollér desuden, at også elvarmestaven er tilsluttet den primære jordningsskinne via jordklemmen.

Elinstallation må kun foretages af en elektriker.

Varmestaven må kun monteres vandret. Lodret montering er ikke tilladt.

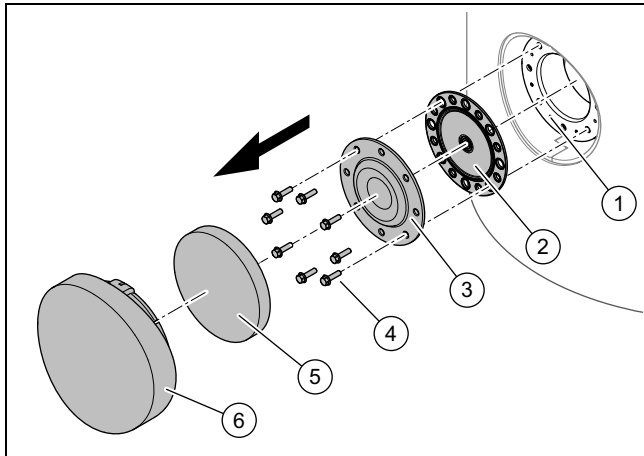
Anvend et nettilslutningskabel til el-tilslutningen, som er godkendt til en temperatur på 80 °C.

Sørg for, at varmtvandsbeholderen er fyldt, før du tager varmestaven i drift.

For at sikre at varmestaven holder i mange år anbefales det at anvende ferskvand med følgende minimumkvalitet: klorid-indhold < 120 mg/l, vandhårdhed < 2,4965 mmol/l (< 14°dH; < 24,987°FH; < 140 mg CaCO<sub>3</sub>/l; < 249,87 mg CaCO<sub>3</sub>/l; < 249,87 ppm (mg CaCO<sub>3</sub>/l)). Ved højere vandhårheder anbefales det at anvende et vandafhædningsanlæg!

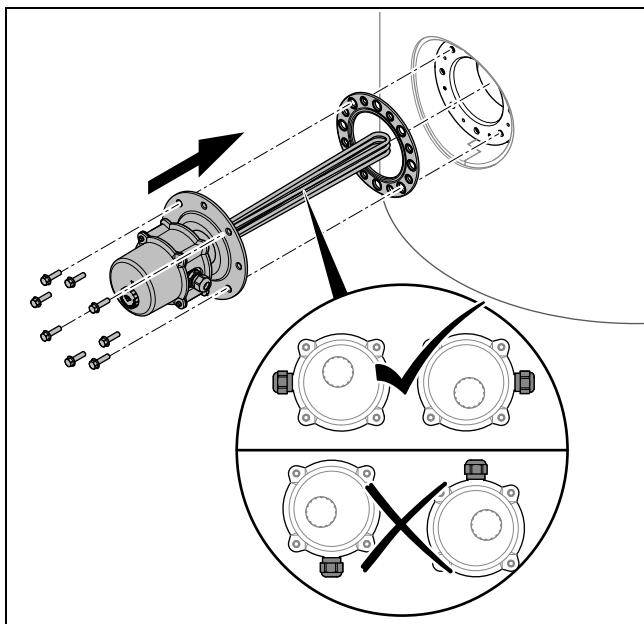
## 5 Installation

### 5.1 Afmontering af renseåbning



1. Gør evt. varmtvandsbeholderen spændingsfri.
2. Tøm varmtvandsbeholderen.
3. Fjern isoleringselementerne (5) og (6).
4. Afmonter skruerne (4), som holder dækslet (3) fast til renseåbningen (1).
5. Fjern dækslet og pakningen (2).

### 5.2 Montering af varmestav



1. Anvend den medfølgende nye pakning til renseåbningen.



#### Fare!

#### Risiko for tingskade som følge af overspænding af gevindet

Reduktionsflangen er formonteret med et bestemt drejningsmoment på gevindet af varmestaven, så borhullerne og varmestavene er placeret ideelt i forhold til hinanden. Hvis du spænder reduktionsflangen yderligere på gevindet af varmestaven, kan gevindet blive ødelagt.

- ▶ Monter varmestaven med den formonterede reduktionsflange, sådan som den er blevet leveret.

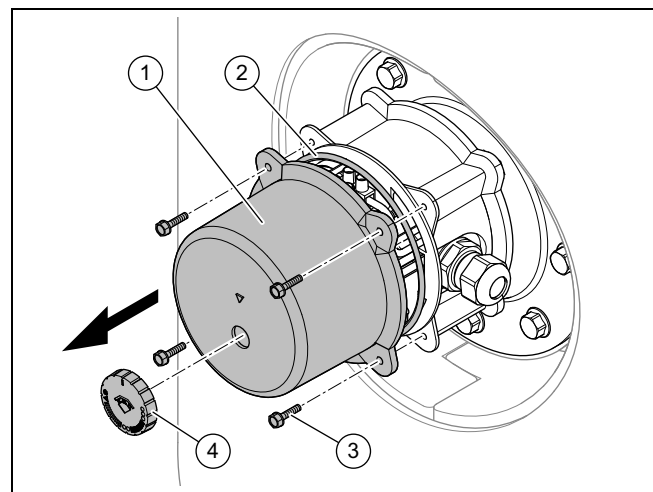
2. Monter varmestaven som vist.
3. Krydsspænd skruerne på reduktionsflangen.

### 5.3 Etablering af strømforsyningen

Det eksterne nettilslutningskabel skal være jordforbundet og være tilsluttet med den rigtige polaritet og iht. de gældende foreskrifter.

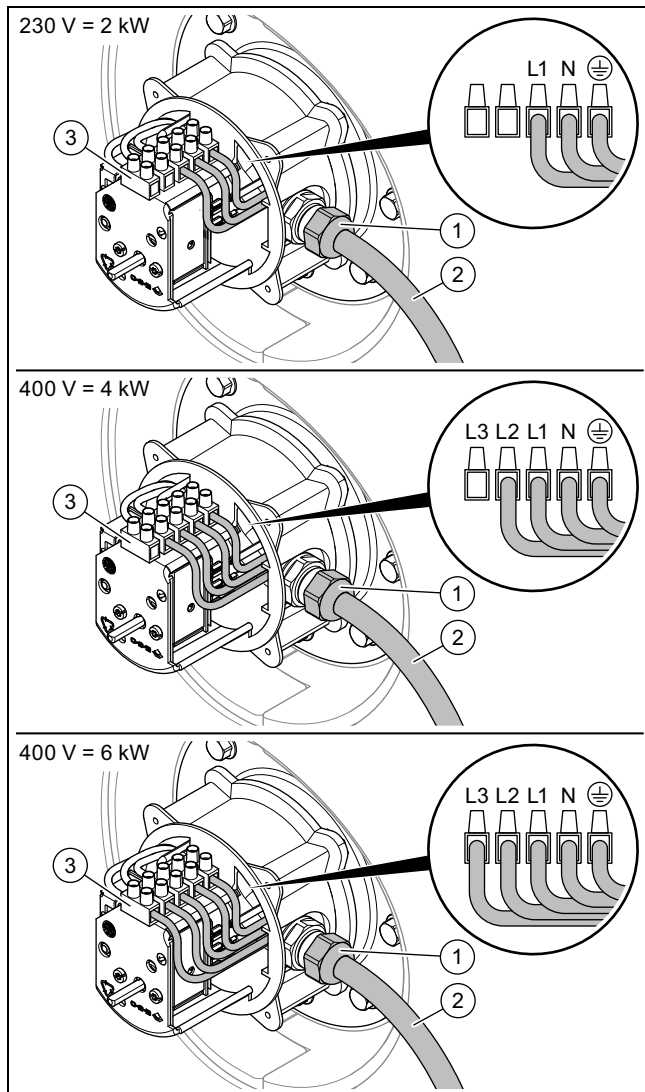
- ▶ Installer ved en fast forbundet nettilslutning en afbryder for alle poler fra nettet med en kontaktåbning på mindst 3 mm pr. pol (f.eks. sikringer eller effektafbryder).

### 5.4 EI-installation



1. Træk drejeknappen (4) af indstillingsregulatoren.
2. Afmonter de fire sekskantskruer (3).
3. Træk tilslutningskabinettet (1) og pakningen (2) af.



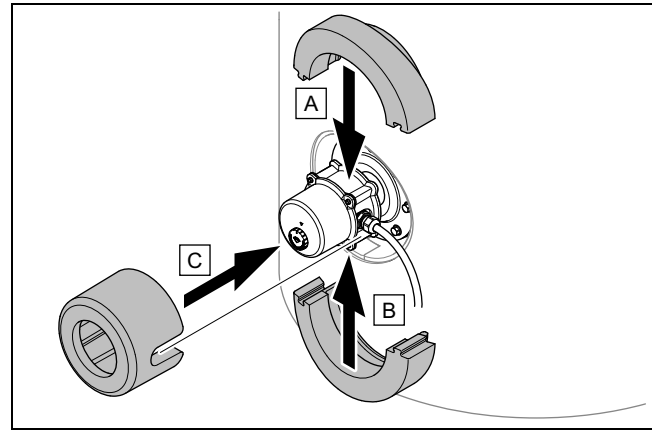


4. Før kablet (2) gennem nettilslutningsåbningen i kabinettet, og fastgør det med PG-forskrutningen (1).
  - Anbefalet tilspændingsmoment:  $\leq 6,0$  Nm
5. Tilslut lederne på klemmerækken (3).
6. Sæt pakningen og tilslutningskabinettet på plads, og monter de fire unbrakoskruer.
  - Anbefalet tilspændingsmoment:  $\leq 1,9$  Nm
7. Sæt drejeknappen på indstillingsregulatoren.

## 6 Idrifttagning

### 6.1 Idrifttagning af varmestav

1. Fyld varmtvandsbeholderen.
2. Kontrollér, at renseåbningen er tæt.



3. Monter isoleringselementet.
4. Tænd for strømforsyningen.
5. Brug indstillingshjulet til at indstille den temperatur, som varmestaven skal opvarme til.

## 7 Afhjælpning af fejl

### 7.1 Sikkerhedstemperaturbegrænsers funktion

Hvis vandtemperaturen i beholderen overstiger  $95\text{ }^{\circ}\text{C}$ , afbryder sikkerhedstemperaturbegrænseren (STB) på varmestaven spændingstilførslen.

### 7.2 Frigøring af sikkerhedstemperaturbegrænseren efter deaktivering



#### Forsigtig!

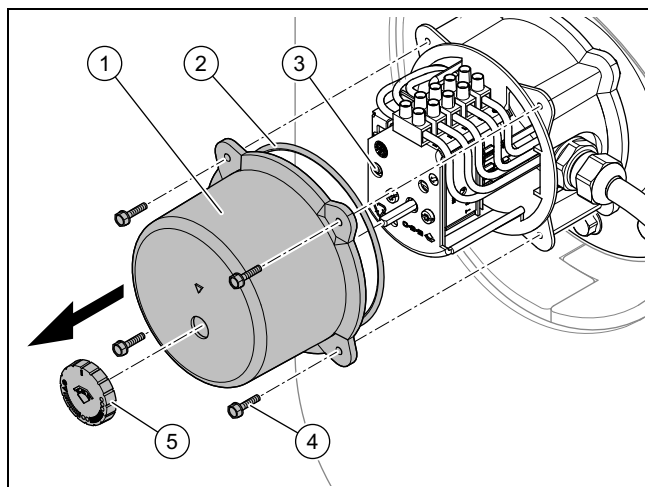
#### Risiko for materiel skade på grund af overophedning!

Hvis fejlen, som har ført til udkobling af produktet, ikke afhjælpes, kan der opstå skader på produktet.

- Tænd for sikkerhedstemperaturbegrænseren igen, når en fejl, som har ført til udløsning af sikkerhedstemperaturbegrænseren, er afhjulpet.

1. Sluk for strømmen.
2. Afmonter isoleringselementet fra varmestaven.

## 8 Standsning



3. Træk drejeknappen (5) af indstillingsregulatoren.
4. Afmonter de fire sekskantskruer (4).
5. Træk tilslutningskabinettet (1) og pakningen (2) af.
6. Tryk på oplåsingsknappen til sikkerhedstemperaturbegrænseren (3).
7. Sæt pakningen og tilslutningskabinettet på plads, og monter de fire unbrakoskruer.
8. Sæt drejeknappen på indstillingsregulatoren.
9. Monter isoleringselementet.
10. Tænd for strømmen.

## 8 Standsning

### 8.1 Standsning af produktet

1. Afbryd strømforsyningen til varmestaven.
2. Afbryd strømforsyningen.
3. Tøm varmtvandsbeholderen.
4. Afmonter varmestaven.
5. Monter pakningen og dækslet til renseåbningen.
6. Monter afdækningen til renseåbningen.

### 8.2 Genbrug og bortskaffelse

#### Bortskaffelse af emballagen

- ▶ Bortskaf emballagen i overensstemmelse med reglerne.
- ▶ Følg alle relevante forskrifter.

## 9 Kundeservice

### 9.1 Kundeservice

Kontaktdataene til vores kundeservice findes i vedhæftede eller på vores hjemmeside.

## 10 Tekniske data

	Varmestav 2 - 6 kW
Nominel udgangsydelse	2; 4; 6 kW
Tilladt omgivelsestemperatur drift	0 ... 40 °C
Tilladt luftfugtighed i %	< 75 (langtidsopbevaring); < 93 (under transporten)
Anbefalet maks. vandhårdhed drikkevand	≤ 14 °dH
Indstillingsområde temperatur	28 ... 70 °C
Tilladt temperatur vandbeholder	7 ... 85 °C
Driftstemperatur varmtvand	65 °C
Maks. beholdertemperatur drikkevand	≤ 95 °C
Maks. driftstryk drikkevand	≤ 1 MPa (≤ 10 bar)
Varmebetinget afbrydersikring tørdrift	95 °C <sup>+8 K</sup>
Min. frostsikring temperatur	≥ 7 °C
Maks. temperatur varmestavshoved	≤ 95 °C
Maks. temperatur varmestavsoverflade	≤ 150 °C
Maks. arealydelse	maks. 14,1 W/cm <sup>3</sup>
Indføringslængde (inddykningsdybde)	450 mm
Indføringsdiameter	≈ 36,5 mm
Diameter, varmestav	6,5 mm
Materiale, varmestav	2.4858 / Incoloy 825
Materiale, varmestavshoved	1.4404
Nøglebredde varmestavshoved	SW 60 mm
Gevindtilslutning	G 1 1/2 B tommer
Anbefalet tilspændingsmoment varmestavshoved	90 ... 100 Nm
Længde, varmestavshoved	≈ 160 mm
Materiale tilslutningskabinet	PA6 GF30
Nettovægt varmestavshoved	1,36 kg
Strømforsyning	1 N PE ~230 V AC/50 Hz 1x 16 A; 3 N PE ~400 V AC/50 Hz 3 x 16 A
Kapslingsklasse	IP54 (DIN EN 60529)
Elektrisk kapslingsklasse	I
Overspændingskategori	II

## Betriebsanleitung

### Inhalt

<b>1</b>	<b>Sicherheit .....</b>	<b>26</b>
1.1	Handlungsbezogene Warnhinweise .....	26
1.2	Bestimmungsgemäße Verwendung .....	26
1.3	Allgemeine Sicherheitshinweise .....	26
1.4	Vorschriften (Richtlinien, Gesetze, Normen) .....	27
<b>2</b>	<b>Hinweise zur Dokumentation.....</b>	<b>28</b>
2.1	Mitgeltende Unterlagen beachten.....	28
2.2	Unterlagen aufbewahren .....	28
2.3	Gültigkeit der Anleitung.....	28
<b>3</b>	<b>Produktbeschreibung.....</b>	<b>28</b>
3.1	Aufbau des Produkts .....	28
3.2	CE-Kennzeichnung.....	28
<b>4</b>	<b>Betrieb .....</b>	<b>28</b>
4.1	Funktionsübersicht Einstellregler.....	28
<b>5</b>	<b>Störungsbehebung.....</b>	<b>28</b>
5.1	Störungen erkennen und beheben .....	28
<b>6</b>	<b>Pflege und Wartung.....</b>	<b>29</b>
6.1	Produkt pflegen.....	29
<b>7</b>	<b>Außerbetriebnahme.....</b>	<b>29</b>
7.1	Produkt vorübergehend außer Betrieb nehmen.....	29
7.2	Produkt endgültig außer Betrieb nehmen .....	29
7.3	Recycling und Entsorgung.....	29
<b>8</b>	<b>Garantie und Kundendienst.....</b>	<b>29</b>
8.1	Garantie .....	29
8.2	Kundendienst.....	29

# 1 Sicherheit

## 1 Sicherheit

### 1.1 Handlungsbezogene Warnhinweise

#### Klassifizierung der handlungsbezogenen Warnhinweise

Die handlungsbezogenen Warnhinweise sind wie folgt mit Warnzeichen und Signalwörtern hinsichtlich der Schwere der möglichen Gefahr abgestuft:

#### Warnzeichen und Signalwörter



##### **Gefahr!**

unmittelbare Lebensgefahr oder Gefahr schwerer Personenschäden



##### **Gefahr!**

Lebensgefahr durch Stromschlag



##### **Warnung!**

Gefahr leichter Personenschäden



##### **Vorsicht!**

Risiko von Sachschäden oder Schäden für die Umwelt

### 1.2 Bestimmungsgemäße Verwendung

Bei unsachgemäßer oder nicht bestimmungsgemäßer Verwendung können Gefahren für Leib und Leben des Benutzers oder Dritter bzw. Beeinträchtigungen des Produkts und anderer Sachwerte entstehen.

Der Elektroheizstab dient zur Beheizung des Bereitschaftsteils der Warmwasserspeicher VIH R 300 - 500 und VIH S 300 - 500. Er ist speziell als Zusatzbeheizung vorgesehen.

Die bestimmungsgemäße Verwendung beinhaltet:

- das Beachten der beiliegenden Betriebsanleitungen des Produkts sowie aller weiteren Komponenten der Anlage
- die Einhaltung aller in den Anleitungen aufgeführten Inspektions- und Wartungsbedingungen.

Dieses Produkt kann von Kindern ab 8 Jahren und darüber sowie von Personen mit verringerten physischen, sensorischen oder mentalen Fähigkeiten oder Mangel an Erfahrung und Wissen benutzt werden, wenn sie beaufsichtigt oder bezüglich des sicheren Gebrauchs des Produktes unterwiesen wurden und die daraus resultierenden Gefahren verstehen. Kinder dürfen nicht mit dem Pro-

dukt spielen. Reinigung und Benutzer-Wartung dürfen nicht von Kindern ohne Beaufsichtigung durchgeführt werden.

Eine andere Verwendung als die in der vorliegenden Anleitung beschriebene oder eine Verwendung, die über die hier beschriebene hinausgeht, gilt als nicht bestimmungsgemäß. Nicht bestimmungsgemäß ist auch jede unmittelbare kommerzielle und industrielle Verwendung.

#### **Achtung!**

Jede missbräuchliche Verwendung ist untersagt.

### 1.3 Allgemeine Sicherheitshinweise

#### 1.3.1 Gefahr durch Fehlbedienung

Durch Fehlbedienung können Sie sich selbst und andere gefährden und Sachschäden verursachen.

- ▶ Lesen Sie die vorliegende Anleitung und alle mitgeltenden Unterlagen sorgfältig durch, insb. das Kapitel "Sicherheit" und die Warnhinweise.
- ▶ Führen Sie nur diejenigen Tätigkeiten durch, zu denen die vorliegende Betriebsanleitung anleitet.

#### 1.3.2 Risiko eines Sachschadens durch Frost

- ▶ Stellen Sie sicher, dass die Heizungsanlage bei Frost auf jeden Fall in Betrieb bleibt und alle Räume ausreichend temperiert sind.
- ▶ Wenn Sie den Betrieb nicht sicherstellen können, dann lassen Sie einen Fachhandwerker die Heizungsanlage entleeren.

#### 1.3.3 Lebensgefahr durch Veränderungen am Produkt oder im Produktumfeld

- ▶ Entfernen, überbrücken oder blockieren Sie keinesfalls die Sicherheitseinrichtungen.
- ▶ Manipulieren Sie keine Sicherheitseinrichtungen.
- ▶ Zerstören oder entfernen Sie keine Plomben von Bauteilen.
- ▶ Nehmen Sie keine Veränderungen vor:
  - am Produkt

- an den Zuleitungen für Wasser und Strom
- am Sicherheitsventil
- an den Ablaufleitungen
- an baulichen Gegebenheiten, die Einfluss auf die Betriebssicherheit des Produkts haben können

### **1.3.4 Verletzungsgefahr und Risiko eines Sachschadens durch unsachgemäße oder unterlassene Wartung und Reparatur**

- ▶ Versuchen Sie niemals, selbst Wartungsarbeiten oder Reparaturen an Ihrem Produkt durchzuführen.
- ▶ Lassen Sie Störungen und Schäden umgehend durch einen Fachhandwerker beheben.
- ▶ Halten Sie die vorgegebenen Wartungsintervalle ein.

### **1.4 Vorschriften (Richtlinien, Gesetze, Normen)**

- ▶ Beachten Sie die nationalen Vorschriften, Normen, Richtlinien und Gesetze.

## 2 Hinweise zur Dokumentation

### 2 Hinweise zur Dokumentation

#### 2.1 Mitgeltende Unterlagen beachten

- ▶ Beachten Sie unbedingt alle Betriebsanleitungen, die Komponenten der Anlage beiliegen.

#### 2.2 Unterlagen aufbewahren

- ▶ Bewahren Sie diese Anleitung sowie alle mitgeltenden Unterlagen zur weiteren Verwendung auf.

#### 2.3 Gültigkeit der Anleitung

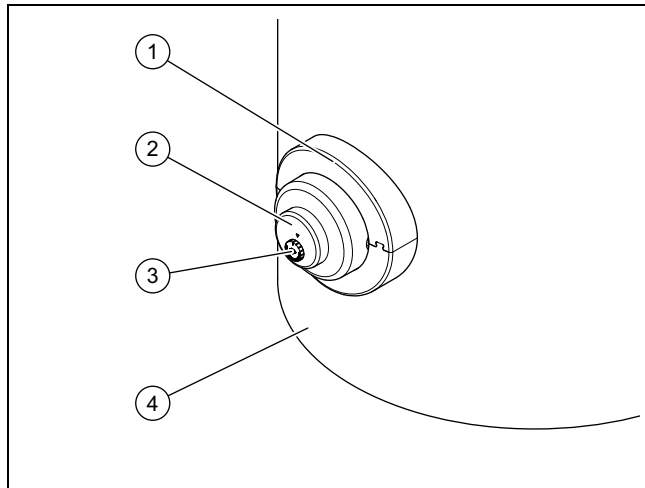
Diese Anleitung gilt ausschließlich für:

#### Produkt – Artikelnummer

Elektroheizstab	0020230734
-----------------	------------

## 3 Produktbeschreibung

### 3.1 Aufbau des Produkts



- |   |                                   |   |                                     |
|---|-----------------------------------|---|-------------------------------------|
| 1 | Typenschild (unter der Abdeckung) | 3 | Einstellregler Warmwassertemperatur |
| 2 | Elektroheizstab                   | 4 | Speicher                            |

### 3.2 CE-Kennzeichnung



Mit der CE-Kennzeichnung wird dokumentiert, dass die Produkte gemäß dem Typenschild die grundlegenden Anforderungen der einschlägigen Richtlinien erfüllen.

Die Konformitätserklärung kann beim Hersteller eingesehen werden.

## 4 Betrieb

### 4.1 Funktionsübersicht Einstellregler

Stellung Einstellregler	Funktion
	AUS
	Frostschutz
	Wassertemperatur ca. 40 °C
	Wassertemperatur ca. 60 °C
	Wassertemperatur ca. 70 °C
	Normaler Betrieb Wassertemperatur ca. 65 °C

## 5 Störungsbehebung

### 5.1 Störungen erkennen und beheben

**Bedingungen:** Warmwassertemperatur erreicht nicht die eingestellte Temperatur

- ▶ Der Sicherheitstemperaturbegrenzer hat ggf. ausgelöst. Benachrichtigen Sie einen Fachhandwerker.

## 6 Pflege und Wartung

### 6.1 Produkt pflegen



#### **Vorsicht!**

#### **Risiko eines Sachschadens durch ungeeignete Reinigungsmittel!**

- ▶ Verwenden Sie keine Sprays, keine Scheuermittel, Spülmittel, Lösungsmittel- oder chlorhaltigen Reinigungsmittel.

- ▶ Reinigen Sie die Verkleidung mit einem feuchten Tuch und etwas lösungsmittelfreier Seife.

## 7 Außerbetriebnahme

### 7.1 Produkt vorübergehend außer Betrieb nehmen

1. Stellen Sie den Einstellregler auf Stellung „AUS“.
2. Stellen Sie sicher, dass ein ausreichender Frostschutz gewährleistet ist.

### 7.2 Produkt endgültig außer Betrieb nehmen

- ▶ Lassen Sie das Produkt vom einem Fachhandwerker endgültig außer Betrieb nehmen.

### 7.3 Recycling und Entsorgung



Wenn das Produkt mit diesem Zeichen gekennzeichnet ist:

- ▶ Entsorgen Sie das Produkt in diesem Fall nicht über den Hausmüll.
- ▶ Geben Sie stattdessen das Produkt an einer Sammelstelle für Elektro- oder Elektronik-Altgeräte ab.



Wenn das Produkt Batterien enthält, die mit diesem Zeichen gekennzeichnet sind, dann können die Batterien gesundheits- und umweltschädliche Substanzen enthalten.

- ▶ Entsorgen Sie die Batterien in diesem Fall an einer Sammelstelle für Batterien.

## 8 Garantie und Kundendienst

### 8.1 Garantie

Informationen zur Herstellergarantie erfragen Sie bitte unter der Kontaktadresse im Anhang.

### 8.2 Kundendienst

Die Kontaktdaten unseres Kundendiensts finden Sie im Anhang oder auf unserer Website.

# Inhalt

## Installationsanleitung

### Inhalt

<b>1</b>	<b>Sicherheit .....</b>	<b>31</b>
1.1	Handlungsbezogene Warnhinweise .....	31
1.2	Bestimmungsgemäße Verwendung .....	31
1.3	Allgemeine Sicherheitshinweise .....	31
1.4	Vorschriften (Richtlinien, Gesetze, Normen) .....	32
<b>2</b>	<b>Hinweise zur Dokumentation.....</b>	<b>33</b>
2.1	Mitgeltende Unterlagen beachten.....	33
2.2	Unterlagen aufbewahren .....	33
2.3	Gültigkeit der Anleitung.....	33
<b>3</b>	<b>Produktbeschreibung.....</b>	<b>33</b>
3.1	Aufbau des Produkts .....	33
3.2	CE-Kennzeichnung.....	33
<b>4</b>	<b>Montage .....</b>	<b>33</b>
4.1	Lieferumfang prüfen.....	33
<b>5</b>	<b>Installation .....</b>	<b>33</b>
5.1	Revisionsöffnung demontieren .....	34
5.2	Elektroheizstab montieren .....	34
5.3	Stromversorgung herstellen .....	34
5.4	Elektrische Installation .....	34
<b>6</b>	<b>Inbetriebnahme .....</b>	<b>35</b>
6.1	Elektroheizstab in Betrieb nehmen.....	35
<b>7</b>	<b>Störungsbehebung.....</b>	<b>35</b>
7.1	Funktion des Sicherheitstemperaturbegrenzers .....	35
7.2	Sicherheitstemperaturbegrenzer nach Abschaltung entriegeln .....	35
<b>8</b>	<b>Außerbetriebnahme .....</b>	<b>36</b>
8.1	Produkt außer Betrieb nehmen .....	36
8.2	Recycling und Entsorgung.....	36
<b>9</b>	<b>Kundendienst.....</b>	<b>36</b>
9.1	Kundendienst.....	36
<b>10</b>	<b>Technische Daten .....</b>	<b>36</b>



## 1 Sicherheit

### 1.1 Handlungsbezogene Warnhinweise

#### Klassifizierung der handlungsbezogenen Warnhinweise

Die handlungsbezogenen Warnhinweise sind wie folgt mit Warnzeichen und Signalwörtern hinsichtlich der Schwere der möglichen Gefahr abgestuft:

#### Warnzeichen und Signalwörter



##### **Gefahr!**

Unmittelbare Lebensgefahr oder Gefahr schwerer Personenschäden



##### **Gefahr!**

Lebensgefahr durch Stromschlag



##### **Warnung!**

Gefahr leichter Personenschäden



##### **Vorsicht!**

Risiko von Sachschäden oder Schäden für die Umwelt

### 1.2 Bestimmungsgemäße Verwendung

Bei unsachgemäßer oder nicht bestimmungsgemäßer Verwendung können Gefahren für Leib und Leben des Benutzers oder Dritter bzw. Beeinträchtigungen des Produkts und anderer Sachwerte entstehen.

Der Elektroheizstab dient zur Beheizung des Bereitschaftsteils der Warmwasserspeicher VIH R 300 - 500 und VIH S 300 - 500. Er ist speziell als Zusatzbeheizung vorgesehen.

Die bestimmungsgemäße Verwendung beinhaltet:

- das Beachten der beiliegenden Betriebs-, Installations- und Wartungsanleitungen des Produkts sowie aller weiteren Komponenten der Anlage
- die Installation und Montage entsprechend der Produkt- und Systemzulassung
- die Einhaltung aller in den Anleitungen aufgeführten Inspektions- und Wartungsbedingungen.

Die bestimmungsgemäße Verwendung umfasst außerdem die Installation gemäß IP-Klasse.

Eine andere Verwendung als die in der vorliegenden Anleitung beschriebene oder eine Verwendung, die über die hier beschriebene

hinausgeht, gilt als nicht bestimmungsgemäß. Nicht bestimmungsgemäß ist auch jede unmittelbare kommerzielle und industrielle Verwendung.

#### **Achtung!**

Jede missbräuchliche Verwendung ist untersagt.

### 1.3 Allgemeine Sicherheitshinweise

#### 1.3.1 Gefahr durch unzureichende Qualifikation

**Gültigkeit:** Nicht für Russland

Folgende Arbeiten dürfen nur Fachhandwerker durchführen, die hinreichend dafür qualifiziert sind:

**Gültigkeit:** Russland

Folgende Arbeiten dürfen nur durch Vaillant zertifizierte Fachhandwerker durchführen, die hinreichend dafür qualifiziert sind:

- Montage
- Demontage
- Installation
- Inbetriebnahme
- Inspektion und Wartung
- Reparatur
- Außerbetriebnahme
- ▶ Beachten Sie alle produktbegleitenden Anleitungen.
- ▶ Gehen Sie gemäß dem aktuellen Stand der Technik vor.
- ▶ Halten Sie alle einschlägigen Richtlinien, Normen, Gesetze und anderen Vorschriften ein.

#### 1.3.2 Lebensgefahr durch Stromschlag

Wenn Sie spannungsführende Komponenten berühren, dann besteht Lebensgefahr durch Stromschlag.

Bevor Sie am Produkt arbeiten:

- ▶ Schalten Sie das Produkt spannungsfrei, indem Sie alle Stromversorgungen allpolig abschalten (elektrische Trennvorrichtung mit mindestens 3 mm Kontaktöffnung, z. B. Sicherung oder Leitungsschutzschalter).
- ▶ Sichern Sie gegen Wiedereinschalten.
- ▶ Prüfen Sie auf Spannungsfreiheit.

# 1 Sicherheit

## 1.3.3 Risiko eines Sachschadens durch Frost

- ▶ Installieren Sie das Produkt nicht in frostgefährdeten Räumen.

## 1.3.4 Verbrennungs- oder Verbrühungsgefahr durch heiße Bauteile

- ▶ Arbeiten Sie erst dann an den Bauteilen, wenn sie abgekühlt sind.

## 1.3.5 Risiko eines Sachschadens durch ungeeignetes Werkzeug

- ▶ Um Schraubverbindungen anzuziehen oder zu lösen, verwenden Sie fachgerechtes Werkzeug.

## 1.3.6 Lebensgefahr durch fehlende Sicherheitseinrichtungen

Die in diesem Dokument enthaltenen Schemata zeigen nicht alle für eine fachgerechte Installation notwendigen Sicherheitseinrichtungen.

- ▶ Installieren Sie die notwendigen Sicherheitseinrichtungen in der Anlage.
- ▶ Beachten Sie die einschlägigen nationalen und internationalen Gesetze, Normen und Richtlinien.

## 1.4 Vorschriften (Richtlinien, Gesetze, Normen)

- ▶ Beachten Sie die nationalen Vorschriften, Normen, Richtlinien und Gesetze.

## 2 Hinweise zur Dokumentation

### 2.1 Mitgeltende Unterlagen beachten

- ▶ Beachten Sie unbedingt alle Betriebs- und Installationsanleitungen, die Komponenten der Anlage beiliegen.

### 2.2 Unterlagen aufbewahren

- ▶ Geben Sie diese Anleitung sowie alle mitgeltenden Unterlagen an den Anlagenbetreiber weiter.

### 2.3 Gültigkeit der Anleitung

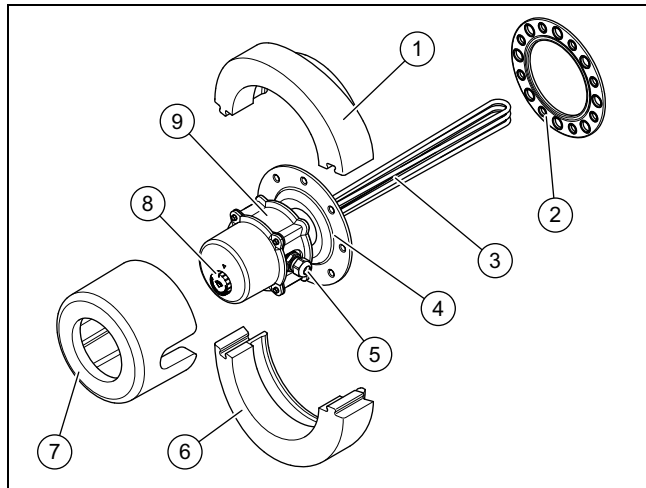
Diese Anleitung gilt ausschließlich für:

#### Produkt – Artikelnummer

Elektroheizstab	0020230734
-----------------	------------

## 3 Produktbeschreibung

### 3.1 Aufbau des Produkts



- |   |   |
|---|---|
| 1 Dämmelement oberer Halbring                               | 5 PG-Verschraubung für Elektroanschluss |
| 2 Dichtung Revisionsöffnung                                 | 6 Dämmelement unterer Halbring          |
| 3 Heizstäbe   | 7 Dämmhülse Heizstabskopf               |
| 4 Reduzierflansch, mit Dichtung zum Schraubkopf vormontiert | 8 Einstellregler                        |
|   | 9 Typenschild                           |

### 3.2 CE-Kennzeichnung



Mit der CE-Kennzeichnung wird dokumentiert, dass die Produkte gemäß dem Typenschild die grundlegenden Anforderungen der einschlägigen Richtlinien erfüllen.

Die Konformitätserklärung kann beim Hersteller eingesehen werden.

## 4 Montage

### 4.1 Lieferumfang prüfen

- ▶ Prüfen Sie den Lieferumfang auf Vollständigkeit und Unversehrtheit.

Menge	Bezeichnung
1	Elektroheizstab
1	Reduzierflansch
1	Dichtung Revisionsöffnung
1	Betriebs- und Installationsanleitung

## 5 Installation



### Vorsicht!

#### Risiko eines Sachschadens durch Korrosion und Kurzschluss durch fehlende Erdung

Wenn Sie einen Elektroheizstab in den Speicher einsetzen, kann sich wegen der vorhandenen Fremdspannung ein elektrisches Potenzial im Wasser aufbauen, welches elektrochemische Korrosion am Elektroheizstab verursachen kann.

- ▶ Stellen Sie sicher, dass sowohl die Warmwasserrohre als auch die Kaltwasserrohre unmittelbar am Speicher per Erdungskabel an die Haupterdungsschiene angeschlossen sind.
- ▶ Stellen Sie außerdem sicher, dass über die Erdungsklemme auch der Elektroheizstab an die Haupterdungsschiene angeschlossen ist.

Die Elektroinstallation darf nur von einer Elektrofachkraft durchgeführt werden.

Der Elektroheizstab darf nur waagrecht montiert werden. Ein senkrechter Einbau ist nicht zulässig.

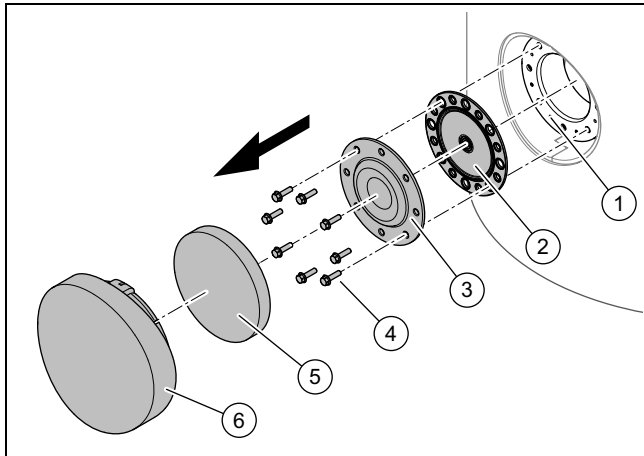
Verwenden Sie für den Elektroanschluss ein Netzanschlusskabel, das für eine Temperatur von 80 °C zugelassen ist.

Stellen Sie sicher, dass der Warmwasserspeicher befüllt ist, bevor Sie den Elektroheizstab in Betrieb nehmen.

Für den Erhalt der langjährigen Funktionsfähigkeit des Elektroheizstabs wird folgende Mindestqualität des Frischwassers empfohlen: Chlorid-Gehalt < 120 mg/l, Wasserhärte < 2,4965 mmol/l (< 14°dH; < 24,987°fH; < 140 mg CaCO<sub>3</sub>/l; < 249,87 mg CaCO<sub>3</sub>/l; < 249,87 ppm (mg CaCO<sub>3</sub>/l)). Bei höheren Wasserhärten wird der Einsatz einer Wasserenthärtungsanlage empfohlen!

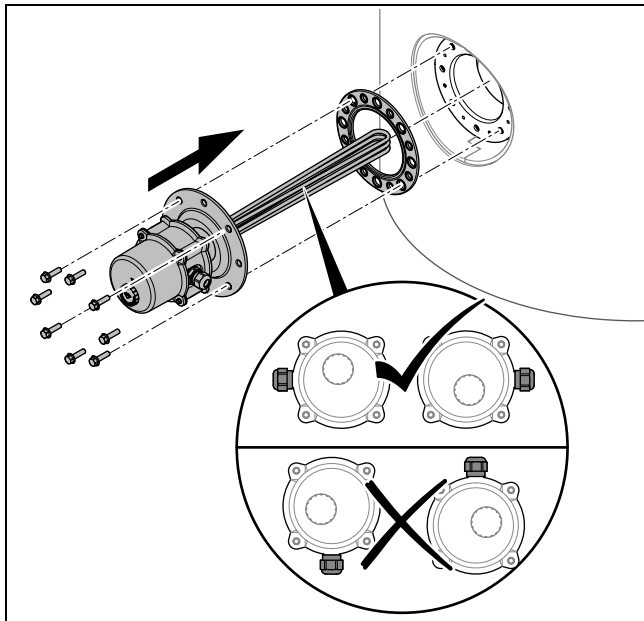
## 5 Installation

### 5.1 Revisionsöffnung demontieren



1. Schalten Sie den Warmwasserspeicher ggf. spannungsfrei.
2. Entleeren Sie den Warmwasserspeicher.
3. Entfernen Sie die Dämmelemente (5) und (6).
4. Demontieren Sie die Schrauben (4) zur Befestigung der Deckels (3) der Revisionsöffnung (1).
5. Nehmen Sie Deckel und Dichtung (2) ab.

### 5.2 Elektroheizstab montieren



1. Verwenden Sie die mitgelieferte neue Dichtung für die Revisionsöffnung.



#### **Gefahr!**

#### **Risiko eines Sachschadens durch Überdrehen des Gewindes**

Der Reduzierflansch ist mit einem bestimmten Drehmoment auf dem Gewinde des Elektroheizstabs vormontiert worden, so dass Bohrlochlochbild und Heizstäbe in idealer Lage zueinander befinden. Wenn Sie den Reduzierflansch auf dem Gewinde des Elektroheizstabs weiter anziehen, kann das Gewinde beschädigt werden.

- ▶ Montieren Sie den Elektroheizstab mit vormontiertem Reduzierflansch so wie er geliefert wird.

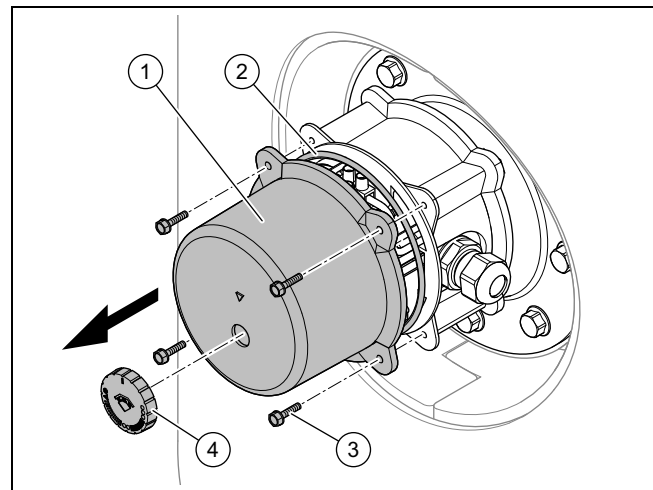
2. Montieren Sie den Elektroheizstab wie dargestellt.
3. Ziehen Sie die Schrauben am Reduzierflansch über Kreuz an.

### 5.3 Stromversorgung herstellen

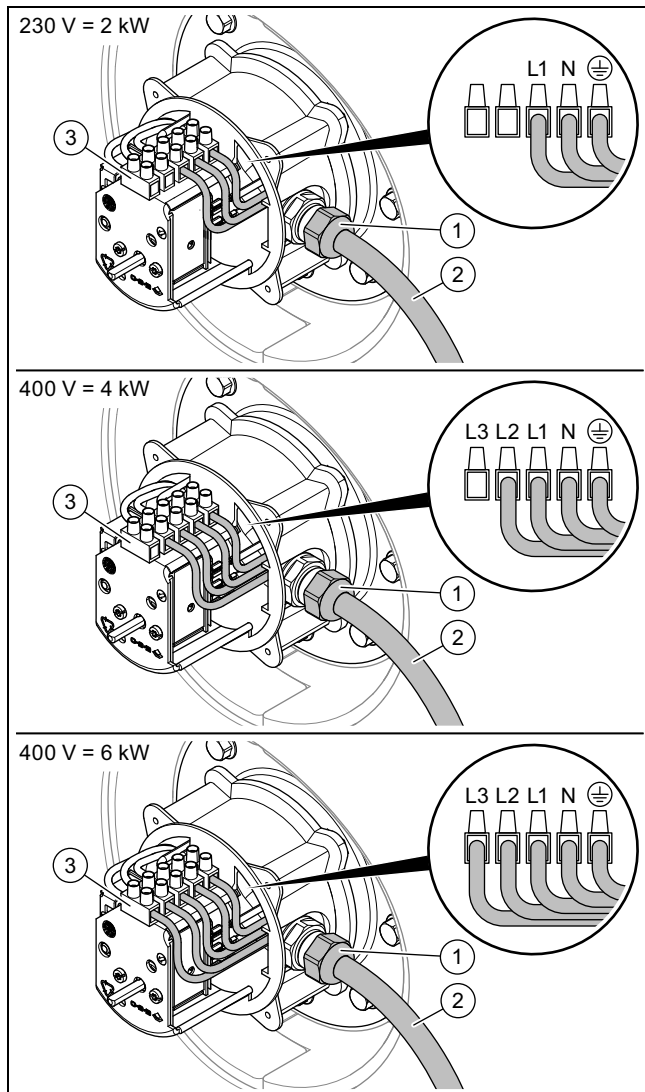
Das externe Netzanschlusskabel muss geerdet sein sowie mit der richtigen Polarität und nach den gültigen Vorschriften angeschlossen werden.

- ▶ Installieren Sie für den festverdrahteten Netzanschluss eine allpolige Trennvorrichtung vom Netz mit einer Kontaktöffnungsweite von mindestens 3 mm pro Pol (z. B. Sicherungen oder Leistungsschalter).

### 5.4 Elektrische Installation



1. Ziehen Sie den Drehknopf (4) vom Einstellregler ab.
2. Demontieren Sie die vier Sechskantschrauben (3).
3. Ziehen Sie das Anschlussgehäuse (1) und die Dichtung (2) ab.

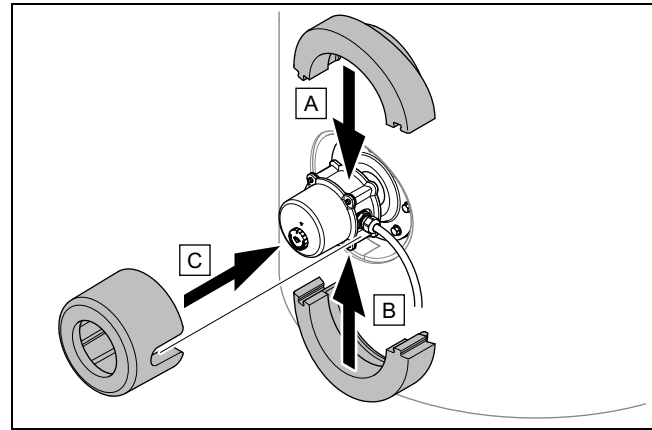


4. Führen Sie das Kabel (2) durch die Netzanschlussöffnung in das Gehäuse und sichern Sie es mit der PG-Verschraubung (1).
  - Empfohlenes Anziehdrehmoment:  $\leq 6,0$  Nm
5. Schließen Sie die Adern an die Klemmleiste (3) an.
6. Stecken Sie Dichtung und Anschlussgehäuse auf und montieren Sie die vier Sechskantschrauben.
  - Empfohlenes Anziehdrehmoment:  $\leq 1,9$  Nm
7. Stecken Sie den Drehknopf auf den Einstellregler.

## 6 Inbetriebnahme

### 6.1 Elektroheizstab in Betrieb nehmen

1. Befüllen Sie den Warmwasserspeicher.
2. Prüfen Sie die Revisionsöffnung auf Dichtheit.



3. Montieren Sie die Dämmelemente.
4. Schalten Sie Stromversorgung ein.
5. Stellen Sie mit dem Stellrad die Temperatur ein, auf die der Elektroheizstab aufheizen soll.

## 7 Störungsbehebung

### 7.1 Funktion des Sicherheitstemperaturbegrenzers

Steigt die Wassertemperatur im Speicher über  $95\text{ }^{\circ}\text{C}$ , schaltet der Sicherheitstemperaturbegrenzer (STB) am Elektroheizstab die Spannungszufuhr ab.

### 7.2 Sicherheitstemperaturbegrenzer nach Abschaltung entriegeln



#### Vorsicht!

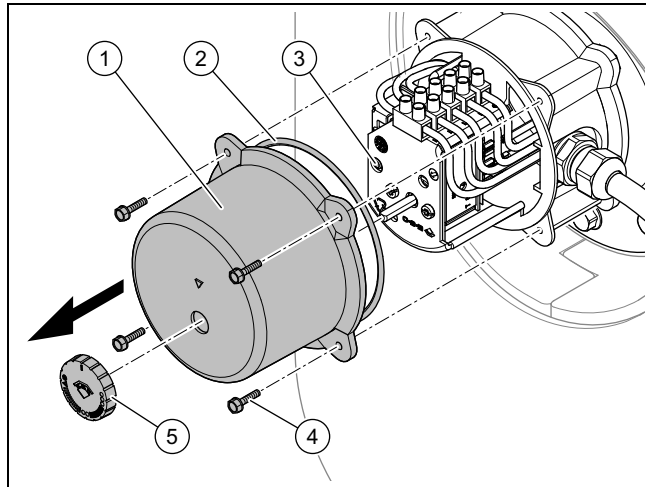
#### Risiko eines Sachschadens durch Überhitzung!

Falls der Fehler, der zum Abschalten des Produkts geführt hat, nicht beseitigt wird, kann es zu Schäden am Produkt kommen.

- Schalten Sie den Sicherheitstemperaturbegrenzer erst wieder ein, wenn die Fehlerursache, die zum Auslösen des Sicherheitstemperaturbegrenzers geführt hat, beseitigt ist.

1. Schalten Sie die Stromversorgung aus.
2. Demontieren Sie die Dämmelemente vom Elektroheizstab.

## 8 Außerbetriebnahme



3. Ziehen Sie den Drehknopf (5) vom Einstellregler ab.
4. Demontieren Sie die vier Sechskantschrauben (4).
5. Ziehen Sie das Anschlussgehäuse (1) und die Dichtung (2) ab.
6. Drücken Sie die Entriegelungstaste des Sicherheitstemperebegrenzers (3) ein.
7. Stecken Sie die Dichtung und das Anschlussgehäuse auf und montieren Sie die vier Sechskantschrauben.
8. Stecken Sie den Drehknopf auf den Einstellregler.
9. Montieren Sie die Dämmelemente.
10. Schalten Sie die Stromversorgung ein.

## 8 Außerbetriebnahme

### 8.1 Produkt außer Betrieb nehmen

1. Schalten Sie die Stromversorgung des Elektroheizstabs ab.
2. Trennen Sie die Stromversorgung.
3. Entleeren Sie den Warmwasserspeicher.
4. Demontieren Sie den Elektroheizstab.
5. Montieren Sie Dichtung und Deckel der Revisionsöffnung.
6. Montieren Sie die Abdeckung der Revisionsöffnung.

### 8.2 Recycling und Entsorgung

#### Verpackung entsorgen

- ▶ Entsorgen Sie die Verpackung ordnungsgemäß.
- ▶ Beachten Sie alle relevanten Vorschriften.

## 9 Kundendienst

### 9.1 Kundendienst

Die Kontaktdaten unseres Kundendiensts finden Sie im Anhang oder auf unserer Website.

## 10 Technische Daten

	Elektroheizstab 2 - 6 kW
Nennausgangsleistung	2; 4; 6 kW
Zulässige Umgebungstemperatur Betrieb	0 ... 40 °C
Zulässige Luftfeuchte in %	< 75 (Langzeitaufbewahrung); < 93 (während des Transports)
Empfohlene max. Wasserhärte Trinkwasser	≤ 14 °dH
Einstellbereich Temperatur	28 ... 70 °C
Zulässige Temperatur Wasserspeicherung	7 ... 85 °C
Betriebstemperatur Warmwasser	65 °C
Max. Speichertemperatur Trinkwasser	≤ 95 °C
Max. Betriebsdruck Trinkwasser	≤ 1 MPa (≤ 10 bar)
Thermaler Abschaltenschutz Trockenbetrieb	95 °C <sup>+8 K</sup>
Min. Frostschutz Temperatur	≥ 7 °C
Max. Temperatur Heizstabskopf	≤ 95 °C
Max. Temperatur Heizstaboberfläche	≤ 150 °C
Max. Flächenleistung	max. 14,1 W/cm <sup>2</sup>
Einführlänge (Eintauchtiefe)	450 mm
Einführdurchmesser	≈ 36,5 mm
Durchmesser Heizstab	6,5 mm
Material der Heizstäbe	2.4858 / Incoloy 825
Material Heizstabskopf	1.4404
Schlüsselweite Heizstabskopf	SW 60 mm
Gewindeanschluss	G 1 1/2 Zoll
Empfohlenes Anziehdrehmoment Heizstabskopf	90 ... 100 Nm
Länge Heizstabskopf	≈ 160 mm
Material Anschlussgehäuse	PA6 GF30
Nettogewicht Heizstabskopf	1,36 kg
Stromversorgung	1 N PE ~230 V AC/50 Hz 1x 16 A; 3 N PE ~400 V AC/50 Hz 3 x 16 A
Schutzart	IP54 (DIN EN 60529)
Elektrische Schutzklasse	I
Überspannungskategorie	II

## Instrucciones de funcionamiento

### Contenido

<b>1</b>	<b>Seguridad .....</b>	<b>38</b>
1.1	Advertencias relativas a la operación.....	38
1.2	Utilización adecuada.....	38
1.3	Indicaciones generales de seguridad .....	38
1.4	Disposiciones (directivas, leyes, normas) .....	39
<b>2</b>	<b>Observaciones sobre la documentación .....</b>	<b>40</b>
2.1	Consulta de la documentación adicional .....	40
2.2	Conservación de la documentación .....	40
2.3	Validez de las instrucciones .....	40
<b>3</b>	<b>Descripción del aparato .....</b>	<b>40</b>
3.1	Estructura del aparato .....	40
3.2	Homologación CE.....	40
<b>4</b>	<b>Funcionamiento .....</b>	<b>40</b>
4.1	Resumen de las funciones del regulador de ajuste .....	40
<b>5</b>	<b>Solución de averías .....</b>	<b>41</b>
5.1	Detección y solución de averías .....	41
<b>6</b>	<b>Cuidado y mantenimiento.....</b>	<b>41</b>
6.1	Cuidado del producto.....	41
<b>7</b>	<b>Puesta fuera de servicio .....</b>	<b>41</b>
7.1	Puesta fuera de funcionamiento temporal del producto.....	41
7.2	Puesta fuera de funcionamiento definitiva del producto.....	41
7.3	Reciclaje y eliminación .....	41
<b>8</b>	<b>Garantía y servicio de atención al cliente .....</b>	<b>41</b>
8.1	Garantía.....	41
8.2	Servicio de Asistencia Técnica .....	41

# 1 Seguridad

## 1 Seguridad

### 1.1 Advertencias relativas a la operación

#### Clasificación de las advertencias relativas a la operación

Las advertencias relativas a la operación se clasifican con signos de advertencia e indicaciones de aviso de acuerdo con la gravedad de los posibles peligros:

#### Signos de advertencia e indicaciones de aviso



##### **Peligro**

peligro mortal inminente o peligro de lesiones graves



##### **Peligro**

peligro mortal debido a descarga eléctrica



##### **Advertencia**

peligro de lesiones leves



##### **Atención**

riesgo de daños materiales o daños al medio ambiente

### 1.2 Utilización adecuada

Su uso incorrecto o utilización inadecuada puede dar lugar a situaciones de peligro mortal o de lesiones para el usuario o para terceros, así como provocar daños en el producto u otros bienes materiales.

El calentador de inmersión se usa para el calentamiento de la parte de reserva del acumulador de agua caliente sanitaria VIH R 300 - 500 y el VIH S 300 - 500. Está previsto especialmente para el calentamiento adicional.

La utilización adecuada implica:

- Tenga en cuenta las instrucciones de funcionamiento adjuntas del producto y de todos los demás componentes de la instalación.
- Cumplir todas las condiciones de inspección y mantenimiento recogidas en las instrucciones.

Este producto puede ser utilizado por niños a partir de 8 años, así como por personas con capacidades físicas, sensoriales o mentales disminuidas o con falta de experiencia y conocimientos, si son vigilados o han sido

instruidos respecto al uso seguro del aparato y comprenden los peligros derivados del mismo. No deje que los niños jueguen con el producto. No permita que los niños efectúen la limpieza y el mantenimiento sin vigilancia.

Una utilización que no se corresponda con o que vaya más allá de lo descrito en las presentes instrucciones se considera inadecuada. También es inadecuado cualquier uso de carácter directamente comercial o industrial.

#### **¡Atención!**

Se prohíbe todo uso abusivo del producto.

### 1.3 Indicaciones generales de seguridad

#### 1.3.1 Peligro por un uso incorrecto

El uso incorrecto puede poner en peligro tanto a usted como a otras personas y ocasionar daños materiales.

- ▶ Lea atentamente las presentes instrucciones y toda la documentación adicional, especialmente el capítulo "Seguridad" y las notas de advertencia.
- ▶ Realice solo aquellas operaciones a las que se refieren las presentes instrucciones de funcionamiento.

#### 1.3.2 Riesgo de daños materiales causados por heladas

- ▶ En caso de helada, asegúrese de que la instalación de calefacción sigue funcionando en todo momento y que todas las estancias se calientan lo suficiente.
- ▶ Cuando no pueda asegurar el funcionamiento, encargue a un profesional autorizado que purgue la instalación de calefacción.

#### 1.3.3 Peligro de muerte por modificaciones en el aparato o en el entorno del mismo

- ▶ No retire, puentee ni bloquee ningún dispositivo de seguridad.
- ▶ No manipule los dispositivos de seguridad.
- ▶ No rompa ni retire ningún precinto de las piezas.
- ▶ No efectúe modificación alguna:
  - en el producto



- en los conductos de agua y corriente eléctrica
- en la válvula de seguridad
- en las tuberías de desagüe
- en elementos estructurales que puedan afectar a la seguridad del aparato

### **1.3.4 Peligro de lesiones y riesgo de daños materiales por la realización incorrecta de los trabajos de mantenimiento y reparación o por su omisión**

- ▶ Nunca intente realizar usted mismo trabajos de mantenimiento o de reparación en el aparato.
- ▶ Encargue a un instalador especializado que repare las averías y los daños de inmediato.
- ▶ Respetar los intervalos de mantenimiento especificados.

### **1.4 Disposiciones (directivas, leyes, normas)**

- ▶ Observe las disposiciones, normas, directivas y leyes nacionales.

## 2 Observaciones sobre la documentación

### 2 Observaciones sobre la documentación

#### 2.1 Consulta de la documentación adicional

- ▶ Es imprescindible tener en cuenta todas las instrucciones de funcionamiento suministradas junto con los componentes de la instalación.

#### 2.2 Conservación de la documentación

- ▶ Conservar estas instrucciones y toda la demás documentación de validez paralela para su uso posterior.

#### 2.3 Validez de las instrucciones

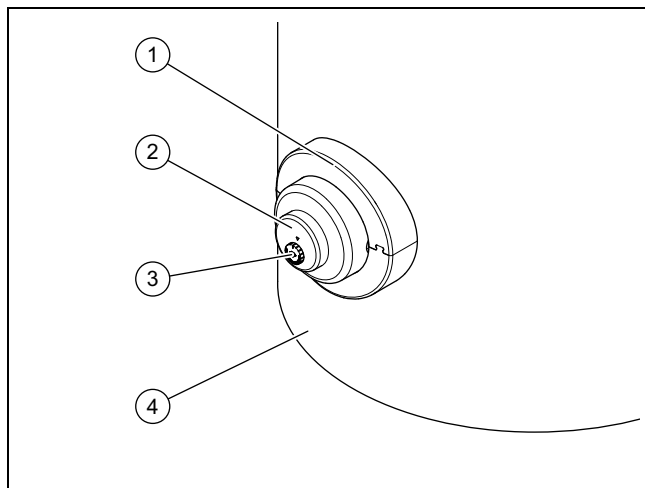
Estas instrucciones son válidas únicamente para:

##### Aparato - Referencia del artículo

Calentador eléctrico de inmersión	0020230734
-----------------------------------	------------

## 3 Descripción del aparato

### 3.1 Estructura del aparato



- |  |  |
|--|--|
| 1 Placa de características (debajo de la cubierta) | 3 Regulador de ajuste de la Temperatura de agua caliente sanitaria |
| 2 Calentador eléctrico de inmersión                | 4 Acumulador   |

### 3.2 Homologación CE



Con la homologación CE se certifica que los aparatos cumplen los requisitos básicos de las directivas aplicables conforme figura en la placa de características.

Puede solicitar la declaración de conformidad al fabricante.

## 4 Funcionamiento

### 4.1 Resumen de las funciones del regulador de ajuste

Posición del regulador de ajuste	Funcionamiento
	DESCON.
	Protección antihielo
	Temperatura del agua aprox. 40 °C
	Temperatura del agua aprox. 60 °C
	Temperatura del agua aprox. 70 °C
	Funcionamiento normal Temperatura del agua aprox. 65 °C

### 5 Solución de averías

#### 5.1 Detección y solución de averías

**Condiciones:** La temperatura de agua caliente sanitaria no alcanza la temperatura ajustada

- ▶ Dado el caso, se ha activado el limitador de temperatura de seguridad. Avise a un profesional autorizado.

### 6 Cuidado y mantenimiento

#### 6.1 Cuidado del producto



##### Atención

**¡Riesgo de daños materiales por el uso de productos de limpieza inadecuados!**

- ▶ No utilizar aerosoles, productos abrasivos, abrillantadores ni productos de limpieza que contengan disolvente o cloro.
- 
- ▶ Limpie el revestimiento con un paño húmedo y un poco de jabón que no contenga disolventes.

### 7 Puesta fuera de servicio

#### 7.1 Puesta fuera de funcionamiento temporal del producto

1. Ponga el regulador de ajuste en la posición "DESCON."
2. Asegúrese de que está garantizada la suficiente protección contra heladas.

#### 7.2 Puesta fuera de funcionamiento definitiva del producto

- ▶ Encargue a un profesional autorizado la puesta fuera de funcionamiento definitiva del producto.

#### 7.3 Reciclaje y eliminación



Si el producto está identificado con este símbolo:

- ▶ En ese caso, no deseche el producto junto con los residuos domésticos.
- ▶ En lugar de ello, hágalo llegar a un punto de recogida de residuos de aparatos eléctricos o electrónicos usados.



Si el producto tiene pilas marcadas con este símbolo, significa que estas pueden contener sustancias nocivas para la salud y el medio ambiente.

- ▶ En tal caso, deberá desechar las pilas en un punto de recogida de pilas.

### 8 Garantía y servicio de atención al cliente

#### 8.1 Garantía

Puede obtener información sobre la Garantía del fabricante a través de la dirección de contacto en el anexo.

#### 8.2 Servicio de Asistencia Técnica

Puede encontrar los datos de contacto de nuestro Servicio de Asistencia Técnica en el anexo o en nuestra página web.

# Contenido

## Instrucciones de instalación

### Contenido

<b>1</b>	<b>Seguridad .....</b>	<b>43</b>
1.1	Advertencias relativas a la operación .....	43
1.2	Utilización adecuada.....	43
1.3	Indicaciones generales de seguridad .....	43
1.4	Disposiciones (directivas, leyes, normas) .....	44
<b>2</b>	<b>Observaciones sobre la documentación .....</b>	<b>44</b>
2.1	Consulta de la documentación adicional .....	45
2.2	Conservación de la documentación .....	45
2.3	Validez de las instrucciones .....	45
<b>3</b>	<b>Descripción del aparato .....</b>	<b>45</b>
3.1	Estructura del aparato .....	45
3.2	Homologación CE.....	45
<b>4</b>	<b>Montaje .....</b>	<b>45</b>
4.1	Comprobación del material suministrado .....	46
<b>5</b>	<b>Instalación .....</b>	<b>46</b>
5.1	Desmontaje de la abertura de inspección .....	46
5.2	Montaje del calentador de inmersión.....	46
5.3	Conexión del suministro eléctrico .....	46
5.4	Instalación eléctrica .....	45
<b>6</b>	<b>Puesta en marcha .....</b>	<b>47</b>
6.1	Puesta en funcionamiento del calentador de inmersión .....	47
<b>7</b>	<b>Solución de averías .....</b>	<b>47</b>
7.1	Funcionamiento del limitador de temperatura de seguridad .....	47
7.2	Desbloqueo del limitador de temperatura de seguridad tras la desconexión .....	47
<b>8</b>	<b>Puesta fuera de servicio .....</b>	<b>48</b>
8.1	Puesta fuera de servicio del aparato .....	48
8.2	Reciclaje y eliminación .....	48
<b>9</b>	<b>Servicio de Asistencia Técnica .....</b>	<b>48</b>
9.1	Servicio de Asistencia Técnica .....	48
<b>10</b>	<b>Datos técnicos .....</b>	<b>48</b>

## 1 Seguridad

### 1.1 Advertencias relativas a la operación

#### Clasificación de las advertencias relativas a la manipulación

Las advertencias relativas a la manipulación se clasifican con signos de advertencia e indicaciones de aviso de acuerdo con la gravedad de los posibles peligros:

#### Signos de advertencia e indicaciones de aviso



##### **Peligro**

Peligro de muerte inminente o peligro de lesiones graves



##### **Peligro**

Peligro de muerte por electrocución



##### **Advertencia**

peligro de lesiones leves



##### **Atención**

Riesgo de daños materiales o daños al medio ambiente

### 1.2 Utilización adecuada

Su uso incorrecto o utilización inadecuada puede dar lugar a situaciones de peligro mortal o de lesiones para el usuario o para terceros, así como provocar daños en el producto u otros bienes materiales.

El calentador de inmersión se usa para el calentamiento de la parte de reserva del acumulador de agua caliente sanitaria VIH R 300 - 500 y el VIH S 300 - 500. Está previsto especialmente para el calentamiento adicional.

La utilización adecuada implica:

- Tener en cuenta las instrucciones de funcionamiento, instalación y mantenimiento del producto y de todos los demás componentes de la instalación.
- Realizar la instalación y el montaje conforme a la homologación del producto y del sistema.
- Cumplir todas las condiciones de inspección y mantenimiento recogidas en las instrucciones.

La utilización adecuada implica, además, realizar la instalación conforme al código IP.

Una utilización que no se corresponda con o que vaya más allá de lo descrito en las presentes instrucciones se considera inadecuada. También es inadecuado cualquier uso de carácter directamente comercial o industrial.

#### **¡Atención!**

Se prohíbe todo uso abusivo del producto.

### 1.3 Indicaciones generales de seguridad

#### 1.3.1 Peligro por cualificación insuficiente

**Validez:** No aplicable en Rusia

Las siguientes tareas solo deben ser llevadas a cabo por profesionales autorizados que estén debidamente cualificados:

**Validez:** Rusia

Las siguientes tareas solo deben ser llevadas a cabo por profesionales autorizados por Vaillant que estén debidamente cualificados:

- Montaje
- Desmontaje
- Instalación
- Puesta en marcha
- Revisión y mantenimiento
- Reparación
- Puesta fuera de servicio
- ▶ Tenga en cuenta todas las instrucciones que acompañan al producto.
- ▶ Proceda según el estado actual de la técnica.
- ▶ Respete todas las leyes, normas y directivas aplicables.

#### 1.3.2 Peligro de muerte por electrocución

Si toca los componentes conductores de tensión, existe peligro de descarga eléctrica.

Antes de realizar cualquier trabajo en el producto:

- ▶ Deje el producto sin tensión desconectando todos los polos de los suministros de corriente (dispositivo de separación eléctrica con una abertura de contacto de al menos 3 mm, p. ej., fusibles o disyuntores).

## 1 Seguridad

- ▶ Asegúrelo para impedir que se pueda conectar accidentalmente.
- ▶ Verifique que no hay tensión.

### 1.3.3 Riesgo de daños materiales causados por heladas

- ▶ No instale el producto en estancias con riesgo de heladas.

### 1.3.4 Peligro de quemaduras o escaldaduras por componentes calientes

- ▶ Espere a que estos componentes se hayan enfriado antes de empezar a trabajar.

### 1.3.5 Riesgo de daños materiales por el uso de herramientas inadecuadas

- ▶ Utilice las herramientas adecuadas para apretar o aflojar las uniones atornilladas.

### 1.3.6 Peligro de muerte por falta de dispositivos de seguridad

Los esquemas que contiene este documento no muestran todos los dispositivos de seguridad necesarios para una instalación profesional.

- ▶ Monte en la instalación los dispositivos de seguridad necesarios.
- ▶ Tenga en cuenta las disposiciones legales, reglamentos y normativas aplicables de ámbito tanto nacional como internacional.

## 1.4 Disposiciones (directivas, leyes, normas)

- ▶ Observe las disposiciones, normas, directivas y leyes nacionales.

## 2 Observaciones sobre la documentación

### 2.1 Consulta de la documentación adicional

- Tenga en cuenta sin excepción todos los manuales de uso e instalación que acompañan a los componentes de la instalación.

### 2.2 Conservación de la documentación

- Entregue estas instrucciones y toda la documentación de validez paralela al usuario de la instalación.

### 2.3 Validez de las instrucciones

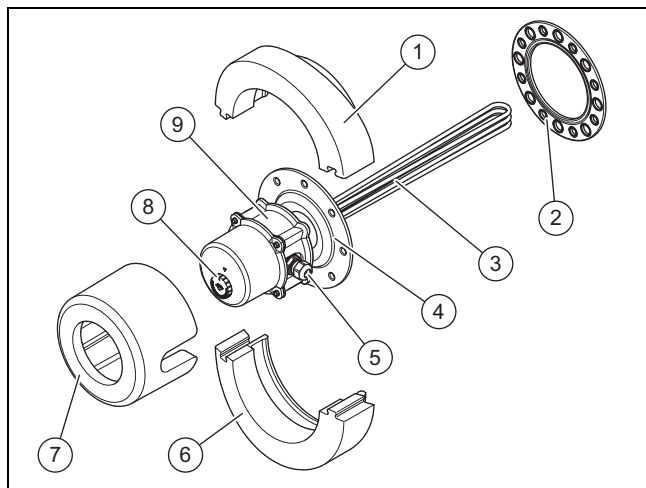
Estas instrucciones son válidas únicamente para:

#### Aparato - Referencia del artículo

Calentador eléctrico de inmersión	0020230734
-----------------------------------	------------

## 3 Descripción del aparato

### 3.1 Estructura del aparato



1	Elemento aislante del medio anillo superior	5	Racor PG para conexión eléctrica
2	Junta de la abertura de inspección	6	Elemento aislante medio anillo inferior
3	Calentadores de inmersión	7	Manguito aislante de la cabeza del calentador de inmersión
4	Brida reductora, pre-montada con junta en la cabeza de tornillo	8	Regulador de ajuste
		9	Placa de características

## 3.2 Homologación CE



Con la homologación CE se certifica que los aparatos cumplen los requisitos básicos de las directivas aplicables conforme figura en la placa de características.

Puede solicitar la declaración de conformidad al fabricante.

## 4 Montaje

### 4.1 Comprobación del material suministrado

- Compruebe si el material suministrado está completo e intacto.

Cantidad	Denominación
1	Calentador eléctrico de inmersión
1	Brida reductora
1	Junta de la abertura de inspección
1	Manual de uso e instalación

## 5 Instalación



### Atención

**Riesgo de daño material debido a la corrosión y cortocircuito por falta de toma de tierra**

Si utiliza un calentador eléctrico de inmersión en el acumulador, debido a la tensión externa existente puede crearse un potencial eléctrico en el agua, que puede provocar corrosión electroquímica en el calentador eléctrico de inmersión.

- Asegúrese de que tanto las tuberías de agua caliente sanitaria como las de agua fría están directamente conectadas en el acumulador mediante un cable de toma de tierra en la barra colectora de tierra principal.
- Asimismo, compruebe que el calentador eléctrico de inmersión también está conectado a la barra colectora tierra principal mediante el borne de tierra.

La instalación eléctrica debe ser realizada únicamente por un especialista electricista.

El calentador de inmersión solo se puede montar en horizontal. No está permitido un montaje vertical.

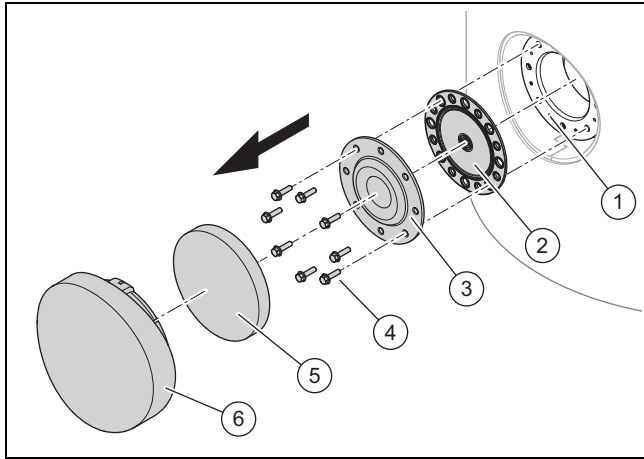
Para la conexión eléctrica, utilice un cable de conexión a red, autorizado para una temperatura de 80 °C.

Asegúrese de que el acumulador de agua caliente sanitaria está lleno antes de poner en funcionamiento el calentador de inmersión.

## 5 Instalación

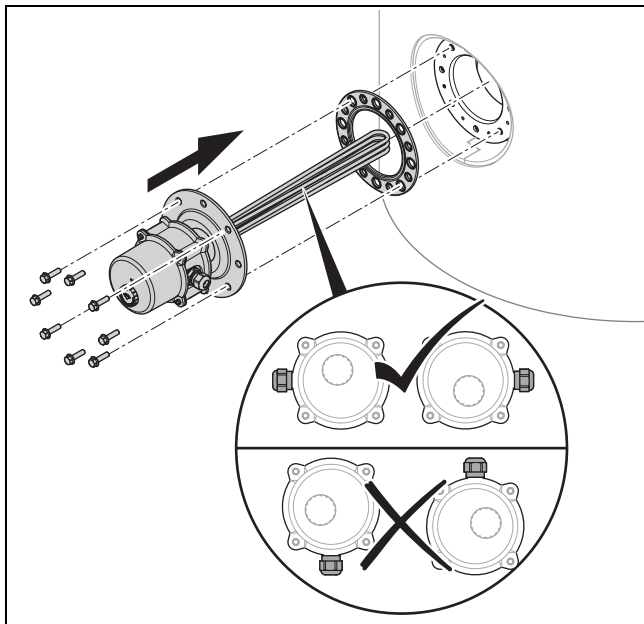
Se recomienda la siguiente calidad mínima del agua fresca para obtener un funcionamiento a largo plazo del calentador de inmersión: contenido cloruro < 120 mg/l, dureza del agua < 2,4965 mmol/l (< 14°dH; < 24,987°FH; < 140 mg CaCO<sub>3</sub>/l; < 249,87 mg CaCO<sub>3</sub>/l; < 249,87 ppm (mg CaCO<sub>3</sub>/l)). En caso de durezas superiores del agua se recomienda el empleo de un sistema de ablandamiento del agua.

### 5.1 Desmontaje de la abertura de inspección



1. Dado el caso, deje sin tensión el acumulador de agua caliente.
2. Vacíe el acumulador de agua caliente sanitaria.
3. Retire los elementos aislantes (5) y (6).
4. Desmonte los tornillos (4) para la fijación de la tapa (3) de la abertura de inspección (1).
5. Retire la tapa y la junta (2).

### 5.2 Montaje del calentador de inmersión



1. Utilice la nueva junta suministrada para la abertura de inspección.



### Peligro

#### Riesgo de daño material por un enroscado excesivo de la rosca

La brida reductora ha sido premontada en la rosca del calentador de inmersión con un par de giro determinado, de manera que el calibre patrón de perforación y los calentadores de inmersión se encuentran en una posición ideal. Si continúa apretando la brida reductora en la rosca del calentador de inmersión, la rosca podría dañarse.

- Monte el calentador de inmersión con la brida reductora premontada como se suministra.

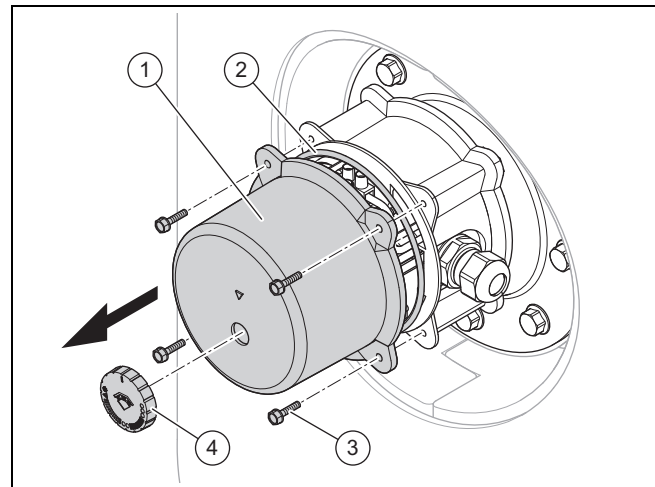
2. Monte el calentador de inmersión como se muestra.
3. Apriete en cruz los tornillos de la brida reductora.

### 5.3 Conexión del suministro eléctrico

El cable de conexión a la red debe estar conectado a tierra y conectarse con la polaridad correcta y conforme a la normativa vigente.

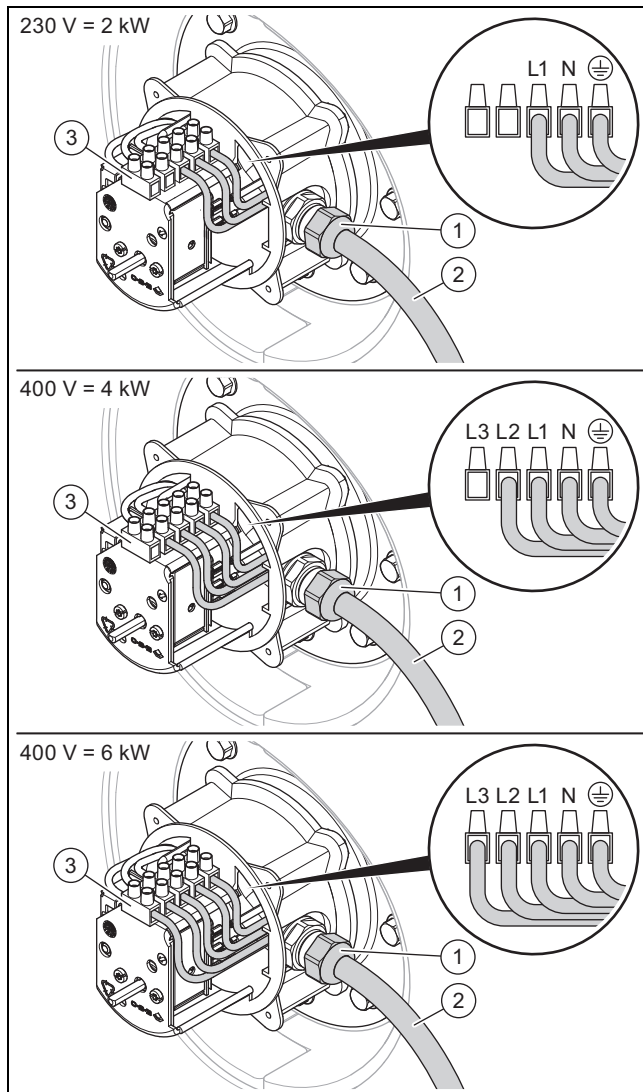
- Instale para la conexión a la red fija un dispositivo de separación multipolar de la red con una distancia de la abertura de contacto mínima de 3 mm por polo (por ejemplo, fusibles o interruptores automáticos).

### 5.4 Instalación eléctrica



1. Extraiga el mando giratorio (4) del regulador de ajuste.
2. Desmonte los cuatro tornillos de cabeza hexagonal (3).
3. Extraiga la carcasa de conexión (1) y la junta (2).



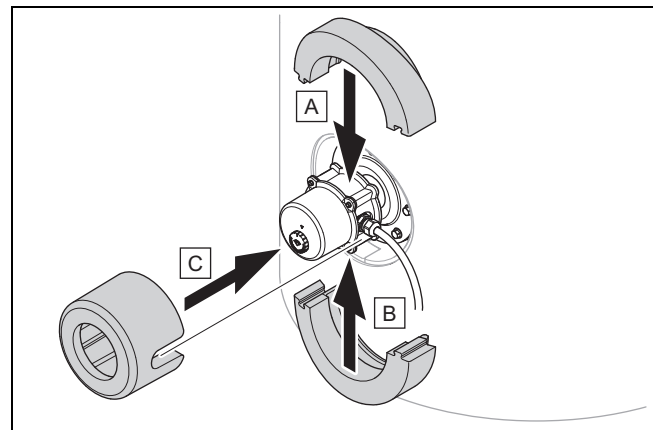


4. Introduzca el cable (2) por la abertura de conexión de red en la carcasa y asegúrelo con el racor PG (1).
  - Par de apriete recomendado:  $\leq 6,0$  Nm
5. Conecte los conductores a la barra de bornes (3).
6. Inserte la junta y la carcasa de conexión y monte los cuatro tornillos de cabeza hexagonal.
  - Par de apriete recomendado:  $\leq 1,9$  Nm
7. Inserte el mando giratorio en el regulador de ajuste.

## 6 Puesta en marcha

### 6.1 Puesta en funcionamiento del calentador de inmersión

1. Llene el acumulador de agua caliente sanitaria.
2. Compruebe la estanqueidad de la abertura de inspección.



3. Monte los elementos de aislamiento.
4. Conecte el suministro eléctrico.
5. Con la rueda de ajuste, ajuste la temperatura a la que se debe calentar el calentador de inmersión.

## 7 Solución de averías

### 7.1 Funcionamiento del limitador de temperatura de seguridad

Si aumenta la temperatura del agua en el acumulador por encima de los 95 °C, el limitador de temperatura de seguridad desconecta al calentador eléctrico de inmersión de la tensión.

### 7.2 Desbloqueo del limitador de temperatura de seguridad tras la desconexión



#### Atención

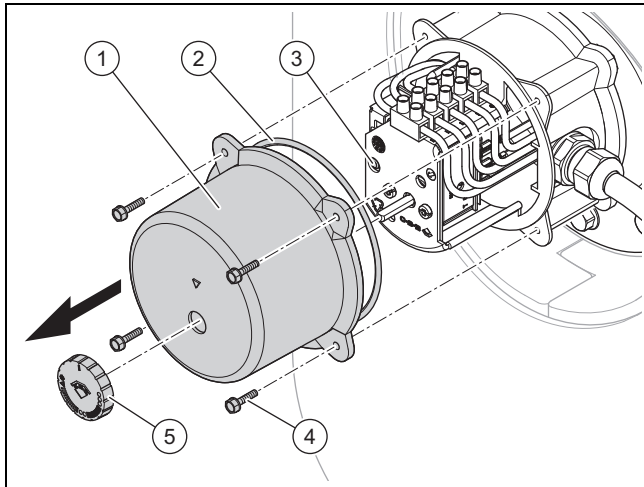
**Riesgo de daños materiales debido al sobrecalentamiento.**

Si no se soluciona el fallo que ha provocado la desconexión del producto, el aparato puede sufrir daños.

- Vuelva a conectar el limitador de temperatura de seguridad únicamente cuando se haya solucionado el error que ha provocado el accionamiento del limitador de temperatura de seguridad.

1. Desconecte el suministro de corriente.
2. Desmonte los elementos aislantes del calentador de inmersión.

## 8 Puesta fuera de servicio



3. Extraiga el mando giratorio (5) del regulador de ajuste.
4. Desmonte los cuatro tornillos de cabeza hexagonal (4).
5. Retire la caja de conexiones (1) y la junta (2).
6. Pulse la tecla de desbloqueo del limitador de temperatura de seguridad (3).
7. Inserte la junta y la carcasa de conexión y monte los cuatro tornillos de cabeza hexagonal.
8. Inserte el mando giratorio en el regulador de ajuste.
9. Monte los elementos de aislamiento.
10. Conecte el suministro de corriente.

## 8 Puesta fuera de servicio

### 8.1 Puesta fuera de servicio del aparato

1. Desconecte el suministro de corriente del calentador de inmersión.
2. Desconecte el suministro eléctrico.
3. Vacíe el acumulador de agua caliente sanitaria.
4. Desmonte el calentador de inmersión.
5. Monte la junta y la tapa de la abertura de inspección.
6. Monte la cubierta de la abertura de inspección.

### 8.2 Reciclaje y eliminación

#### Eliminación del embalaje

- ▶ Elimine el embalaje de forma adecuada.
- ▶ Se deben tener en cuenta todas las especificaciones relevantes.

## 9 Servicio de Asistencia Técnica

### 9.1 Servicio de Asistencia Técnica

Puede encontrar los datos de contacto de nuestro Servicio de Asistencia Técnica en el anexo o en nuestra página web.

## 10 Datos técnicos

	Calentador de inmersión 2 - 6 kW
Potencia de salida nominal	2; 4; 6 kW
Temperatura ambiental admisible para el funcionamiento	0 ... 40 °C
Humedad del aire permitida en %	< 75 (almacenamiento prolongado); < 93 (durante el transporte)
Dureza del agua potable máx. recomendada	≤ 14 °dH
Margen de ajuste de la temperatura	28 ... 70 °C
Temperatura admisible del acumulador de agua	7 ... 85 °C
Temperatura de servicio del agua caliente sanitaria	65 °C
Temperatura máx. del agua potable	≤ 95 °C
Presión de servicio máx. del agua potable	≤ 1 MPa (≤ 10 bar)
Protección de desconexión térmica para el funcionamiento en seco	95 °C <sup>+8 K</sup>
Temperatura mín. de protección contra heladas	≥ 7 °C
Temperatura máx. del cabezal del calentador de inmersión	≤ 95 °C
Temperatura máx. de la superficie del calentador de inmersión	≤ 150 °C
Rendimiento máx. por unidad de superficie	máx. 14,1 W/cm <sup>2</sup>
Longitud de introducción (profundidad de inmersión)	450 mm
Diámetro de introducción	≈ 36,5 mm
Diámetro del calentador de inmersión	6,5 mm
Material de los calentadores de inmersión	2.4858 / Incoloy 825
Material del cabezal del calentador de inmersión	1.4404
Ancho de llave del cabezal del calentador de inmersión	SW 60 mm
Conexión roscada	G 1 1/2 B pulgadas
Par de apriete recomendado del cabezal del calentador de inmersión	90 ... 100 Nm
Longitud del cabezal del calentador de inmersión	≈ 160 mm
Material de la carcasa de conexión	PA6 GF30
Peso neto del cabezal del calentador de inmersión	1,36 kg
Suministro eléctrico	1 N PE ~230 V CA/50 Hz 1x 16 A; 3 N PE ~400 V CA/50 Hz 3 x 16 A
Tipo de protección	IP54 (DIN EN 60529)

## Datos técnicos 10

	Calentador de inmersión 2 - 6 kW
Clase de protección eléctrica	I
Categoría de sobretensión	II

# Sommaire

## Notice d'emploi

### Sommaire

<b>1</b>	<b>Sécurité.....</b>	<b>51</b>
1.1	Mises en garde relatives aux opérations .....	51
1.2	Utilisation conforme .....	51
1.3	Consignes générales de sécurité .....	48
1.4	Prescriptions (directives, lois, normes).....	52
<b>2</b>	<b>Remarques relatives à la documentation.....</b>	<b>53</b>
2.1	Respect des documents complémentaires applicables.....	53
2.2	Conservation des documents .....	53
2.3	Validité de la notice.....	53
<b>3</b>	<b>Description du produit .....</b>	<b>53</b>
3.1	Structure du produit .....	53
3.2	Marquage CE.....	53
<b>4</b>	<b>Fonctionnement.....</b>	<b>53</b>
4.1	Aperçu des fonctions du dispositif de réglage .....	53
<b>5</b>	<b>Dépannage .....</b>	<b>54</b>
5.1	Identification et élimination des dérangements ....	54
<b>6</b>	<b>Entretien et maintenance.....</b>	<b>54</b>
6.1	Entretien du produit .....	54
<b>7</b>	<b>Mise hors service.....</b>	<b>54</b>
7.1	Mise hors service provisoire du produit .....	54
7.2	Mise hors service définitive du produit .....	54
7.3	Recyclage et mise au rebut .....	54
<b>8</b>	<b>Garantie et service après-vente .....</b>	<b>54</b>
8.1	Garantie .....	54
8.2	Service client .....	54

## 1 Sécurité

### 1.1 Mises en garde relatives aux opérations

#### Classification des mises en garde liées aux manipulations

Les mises en garde relatives aux manipulations sont graduées à l'aide de symboles associés à des mots-indicateurs, qui signalent le niveau de gravité du risque encouru.

#### Symboles de mise en garde et mots-indicateurs



#### **Danger !**

Danger de mort immédiat ou risque de blessures graves



#### **Danger !**

Danger de mort par électrocution



#### **Avertissement !**

Risque de blessures légères



#### **Attention !**

Risque de dommages matériels ou de menaces pour l'environnement

### 1.2 Utilisation conforme

Une utilisation incorrecte ou non conforme peut présenter un danger pour la vie et la santé de l'utilisateur ou d'un tiers, mais aussi endommager l'appareil et d'autres biens matériels.

La résistance électrique chauffante sert à chauffer la partie préparation du ballon d'eau chaude sanitaire VIH R 300 - 500 et VIH S 300 - 500. Elle a été spécialement prévue pour le chauffage d'appoint.

L'utilisation conforme de l'appareil suppose :

- le respect des notices d'utilisation fournies avec le produit ainsi que les autres composants de l'installation
- le respect de toutes les conditions d'inspection et de maintenance qui figurent dans les notices.

Cet appareil peut être utilisé par des enfants âgés d'au moins 8 ans ainsi que des personnes qui ne sont pas en pleine possession de leurs capacités physiques, sensorielles ou mentales, ou encore qui manquent d'expérience ou de connaissances, à condition qu'elles aient été formées pour utiliser l'appareil

en toute sécurité, qu'elles comprennent les risques encourus ou qu'elles soient correctement encadrées. Les enfants ne doivent pas jouer avec cet appareil. Le nettoyage et l'entretien courant de l'appareil ne doivent surtout pas être effectués par des enfants sans surveillance.

Toute utilisation autre que celle décrite dans la présente notice ou au-delà du cadre stipulé dans la notice sera considérée comme non conforme. Toute utilisation directement commerciale et industrielle sera également considérée comme non conforme.

#### **Attention !**

Toute utilisation abusive est interdite.

### 1.3 Consignes générales de sécurité

#### 1.3.1 Danger en cas d'erreur de manipulation

Toute erreur de manipulation présente un danger pour vous-même, pour des tiers et peut aussi provoquer des dommages matériels.

- ▶ Lisez soigneusement la présente notice et l'ensemble des documents complémentaires applicables, et tout particulièrement le chapitre « Sécurité » et les avertissements.
- ▶ N'exécutez que les tâches pour lesquelles la présente notice d'utilisation fournit des instructions.

#### 1.3.2 Risque de dommages matériels sous l'effet du gel

- ▶ Assurez-vous que l'installation de chauffage reste en service dans tous les cas lorsqu'il gèle, mais aussi que toutes les pièces sont suffisamment chauffées.
- ▶ Si vous ne pouvez pas faire en sorte que l'installation de chauffage reste en service, faites-la vidanger par un installateur spécialisé.

#### 1.3.3 Danger de mort en cas de modifications apportées au produit ou dans l'environnement du produit

- ▶ Ne retirez, ne shuntez et ne bloquez en aucun cas les dispositifs de sécurité.
- ▶ Ne manipulez aucun dispositif de sécurité.

## 1 Sécurité

- ▶ Ne détériorez pas et ne retirez jamais les composants scellés de l'appareil.
- ▶ N'effectuez aucune modification :
  - au niveau de l'appareil
  - conduites hydrauliques et câbles électriques
  - au niveau de la soupape de sécurité
  - au niveau des conduites d'évacuation
  - au niveau des éléments de construction ayant une incidence sur la sécurité de fonctionnement du produit

### 1.3.4 Risques de blessures et de dommages matériels en cas de maintenance ou de réparation négligée ou non conforme

- ▶ Ne tentez jamais d'effectuer vous-même des travaux de maintenance ou de réparation de votre produit.
- ▶ Contactez immédiatement un installateur spécialisé afin qu'il procède au dépannage.
- ▶ Conformez-vous aux intervalles de maintenance prescrits.

### 1.4 Prescriptions (directives, lois, normes)

- ▶ Veuillez respecter les prescriptions, normes, directives et lois en vigueur dans le pays.

## 2 Remarques relatives à la documentation

### 2.1 Respect des documents complémentaires applicables

- ▶ Conformez-vous impérativement à toutes les notices d'utilisation qui accompagnent les composants de l'installation.

### 2.2 Conservation des documents

- ▶ Conservez soigneusement cette notice ainsi que tous les autres documents complémentaires applicables pour pouvoir vous y référer ultérieurement.

### 2.3 Validité de la notice

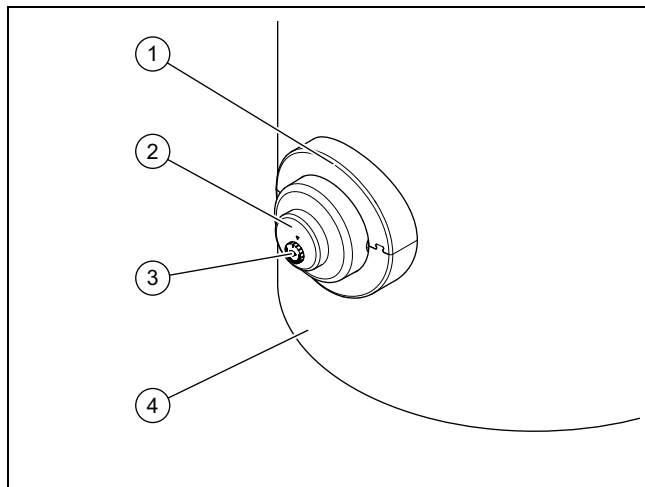
Cette notice s'applique exclusivement à :

#### Produit - référence d'article

Résistance électrique chauffante	0020230734
----------------------------------	------------

## 3 Description du produit

### 3.1 Structure du produit



- |   |  |   |   |
|---|--|---|---|
| 1 | Plaque signalétique (sous la protection) | 3 | Élément de réglage de la température d'eau chaude |
| 2 | Résistance électrique chauffante         | 4 | Ballon  |

### 3.2 Marquage CE



Le marquage CE atteste que les appareils sont conformes aux exigences élémentaires des directives applicables, conformément à la plaque signalétique.

La déclaration de conformité est disponible chez le fabricant.

## 4 Fonctionnement

### 4.1 Aperçu des fonctions du dispositif de réglage

Position du dispositif de réglage	Fonctionnement
	ARRÊT
	Protection antigel
	Température de l'eau env. 40 °C
	Température de l'eau env. 60 °C
	Température de l'eau env. 70 °C
	Fonctionnement normal Température de l'eau env. 65 °C

## 5 Dépannage

### 5 Dépannage

#### 5.1 Identification et élimination des dérangements

**Conditions:** L'eau chaude n'est pas à la température qui a été réglée

- ▶ La sécurité de surchauffe s'est peut-être déclenchée. Contactez un installateur spécialisé

## 6 Entretien et maintenance

### 6.1 Entretien du produit



**Attention !**  
**Risque de dommages matériels en cas de détergent inadapté !**

- ▶ N'utilisez pas d'aérosol, de produit abrasif, de produit vaisselle, de détergent solvanté ou chloré.

- ▶ Nettoyez l'habillage avec un chiffon humecté d'eau savonneuse.

## 7 Mise hors service

### 7.1 Mise hors service provisoire du produit

1. Mettez l'élément de réglage en position « ARRÊT ».
2. Vérifiez que la protection contre le gel est suffisante.

### 7.2 Mise hors service définitive du produit

- ▶ Confiez la mise hors service définitive du produit à un professionnel qualifié.

### 7.3 Recyclage et mise au rebut



Si le produit porte ce symbole :

- ▶ Dans ce cas, ne jetez pas le produit avec les ordures ménagères.
- ▶ Éliminez le produit auprès d'un point de collecte d'équipements électriques et électroniques usagés.



Si le produit renferme des piles qui portent ce symbole, cela signifie que les piles peuvent contenir des substances nocives ou polluantes.

- ▶ Dans ce cas, déposez les piles dans un point de collecte de piles usagées.

## 8 Garantie et service après-vente

### 8.1 Garantie

Pour obtenir des informations concernant la garantie constructeur, veuillez vous reporter aux coordonnées qui figurent dans l'annexe.

### 8.2 Service client

Les coordonnées de notre service client figurent dans l'annexe ou sur notre site Internet.



## Notice d'installation

### Sommaire

<b>1</b>	<b>Sécurité.....</b>	<b>56</b>
1.1	Mises en garde relatives aux opérations .....	56
1.2	Utilisation conforme .....	56
1.3	Consignes générales de sécurité .....	56
1.4	Prescriptions (directives, lois, normes).....	57
<b>2</b>	<b>Remarques relatives à la documentation.....</b>	<b>58</b>
2.1	Respect des documents complémentaires applicables.....	58
2.2	Conservation des documents .....	58
2.3	Validité de la notice.....	58
<b>3</b>	<b>Description du produit .....</b>	<b>58</b>
3.1	Structure du produit .....	58
3.2	Marquage CE.....	58
<b>4</b>	<b>Montage.....</b>	<b>58</b>
4.1	Contrôle du contenu de la livraison .....	58
<b>5</b>	<b>Installation.....</b>	<b>58</b>
5.1	Démontage de l'orifice de révision .....	59
5.2	Montage de la résistance électrique chauffante .....	59
5.3	Établissement de l'alimentation électrique .....	59
5.4	Installation électrique .....	59
<b>6</b>	<b>Mise en service .....</b>	<b>60</b>
6.1	Mise en fonctionnement de la résistance électrique chauffante .....	60
<b>7</b>	<b>Dépannage .....</b>	<b>60</b>
7.1	Fonction de la sécurité de surchauffe.....	60
7.2	Déverrouillage du limiteur de température de sécurité (LTS) après une coupure .....	60
<b>8</b>	<b>Mise hors service.....</b>	<b>61</b>
8.1	Mise hors service de l'appareil .....	61
8.2	Recyclage et mise au rebut .....	61
<b>9</b>	<b>Service client.....</b>	<b>61</b>
9.1	Service client .....	61
<b>10</b>	<b>Caractéristiques techniques .....</b>	<b>61</b>

# 1 Sécurité

## 1 Sécurité

### 1.1 Mises en garde relatives aux opérations

#### Classification des mises en garde liées aux manipulations

Les mises en garde relatives aux manipulations sont graduées à l'aide de symboles associés à des mots-indicateurs, qui signalent le niveau de gravité du risque encouru.

#### Symboles de mise en garde et mots-indicateurs

**Danger !**

Danger de mort immédiat ou risque de blessures graves

**Danger !**

Danger de mort par électrocution

**Avertissement !**

Risque de blessures légères

**Attention !**

Risque de dommages matériels ou de menaces pour l'environnement

### 1.2 Utilisation conforme

Une utilisation incorrecte ou non conforme peut présenter un danger pour la vie et la santé de l'utilisateur ou d'un tiers, mais aussi endommager l'appareil et d'autres biens matériels.

La résistance électrique chauffante sert à chauffer la partie préparation du ballon d'eau chaude sanitaire VIH R 300 - 500 et VIH S 300 - 500. Elle a été spécialement prévue pour le chauffage d'appoint.

L'utilisation conforme suppose :

- le respect des notices d'emploi, d'installation et de maintenance du produit ainsi que des autres composants de l'installation
- une installation et un montage conformes aux critères d'homologation du produit et du système
- le respect de toutes les conditions d'inspection et de maintenance qui figurent dans les notices.

L'utilisation conforme de l'appareil intègre, en outre, l'installation conforme à la classe IP.

Toute utilisation autre que celle décrite dans la présente notice ou au-delà du cadre stipulé dans la notice sera considérée comme non conforme. Toute utilisation directement commerciale et industrielle sera également considérée comme non conforme.

#### Attention !

Toute utilisation abusive est interdite.

### 1.3 Consignes générales de sécurité

#### 1.3.1 Danger en cas de qualification insuffisante

**Validité:** Pas pour la Russie

Les opérations suivantes ne peuvent être effectuées que par des professionnels suffisamment qualifiés :

**Validité:** Russie

Les opérations suivantes ne peuvent être effectuées que par des professionnels suffisamment qualifiés, certifiés par Vaillant :

- Montage
  - Démontage
  - Installation
  - Mise en service
  - Inspection et maintenance
  - Réparation
  - Mise hors service
- ▶ Conformez-vous aux notices fournies avec le produit.
  - ▶ Conformez-vous systématiquement à l'état de la technique.
  - ▶ Respectez les directives, normes, législations et autres dispositions en vigueur.

#### 1.3.2 Danger de mort par électrocution

Si vous touchez les composants conducteurs, vous vous exposez à une électrocution mortelle.

Avant d'intervenir sur le produit :

- ▶ Mettez le produit hors tension en coupant toutes les sources d'alimentation électrique sur tous les pôles (séparateur électrique avec un intervalle de coupure d'au moins 3 mm, par ex. fusible ou disjoncteur de protection).

- ▶ Sécurisez l'appareil pour éviter toute remise sous tension.
- ▶ Vérifiez que le système est bien hors tension.

### **1.3.3 Risque de dommages matériels sous l'effet du gel**

- ▶ N'installez pas le produit dans une pièce exposée à un risque de gel.

### **1.3.4 Risque de brûlures ou d'ébouillement au contact des composants chauds**

- ▶ Attendez que ces composants aient refroidi avant d'intervenir dessus.

### **1.3.5 Risque de dommage matériel dû à l'utilisation d'un outil inapproprié**

- ▶ Pour serrer ou desserrer les raccords vissés, utilisez l'outil approprié.

### **1.3.6 Danger de mort en cas d'omission de dispositif de sécurité**

Les schémas contenus dans ce document ne présentent pas tous les dispositifs de sécurité requis pour une installation appropriée.

- ▶ Équipez l'installation des dispositifs de sécurité nécessaires.
- ▶ Respectez les législations, normes et directives nationales et internationales en vigueur.

## **1.4 Prescriptions (directives, lois, normes)**

- ▶ Veuillez respecter les prescriptions, normes, directives et lois en vigueur dans le pays.

## 2 Remarques relatives à la documentation

### 2 Remarques relatives à la documentation

#### 2.1 Respect des documents complémentaires applicables

- ▶ Conformez-vous impérativement à toutes les notices d'utilisation et d'installation qui accompagnent les composants de l'installation.

#### 2.2 Conservation des documents

- ▶ Remettez cette notice et l'ensemble des documents complémentaires applicables à l'utilisateur.

#### 2.3 Validité de la notice

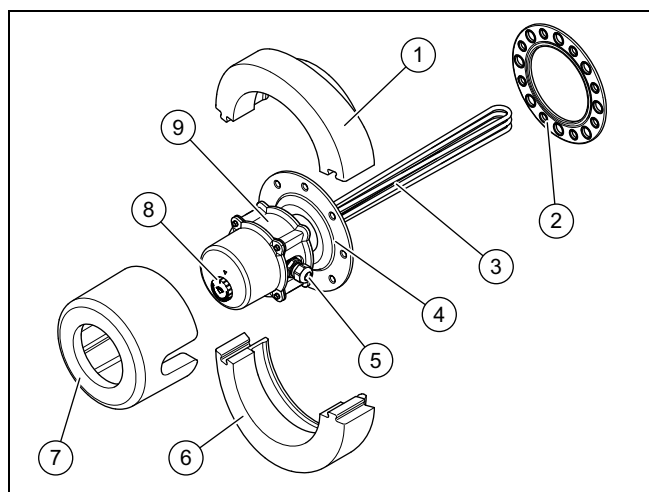
Cette notice s'applique exclusivement à :

##### Produit - référence d'article

Résistance électrique chauffante	0020230734
----------------------------------	------------

## 3 Description du produit

### 3.1 Structure du produit



1	Élément isolant de la demi-bague supérieure	5	Presse-étoupe PG pour raccordement électrique
2	Joint de l'orifice de révision	6	Élément isolant de la demi-bague inférieure
3	Résistances chauffantes	7	Manchon isolant pour tête de résistance chauffante
4	Bride de réduction, avec joint prémonté sur la tête de vissage	8	Dispositif de réglage
		9	Plaque signalétique

### 3.2 Marquage CE



Le marquage CE atteste que les appareils sont conformes aux exigences élémentaires des directives applicables, conformément à la plaque signalétique.

La déclaration de conformité est disponible chez le fabricant.

## 4 Montage

### 4.1 Contrôle du contenu de la livraison

- ▶ Vérifiez que rien ne manque et qu'aucun élément n'est endommagé.

Quantité	Désignation
1	Résistance électrique chauffante
1	Bride de réduction
1	Joint de l'orifice de révision
1	Notice d'utilisation et d'installation

## 5 Installation



### Attention !

**Risque de dommages matériels en cas de corrosion et de court-circuit en l'absence de mise à la terre**

Si le ballon est équipé d'une résistance électrique chauffante, un potentiel électrique risque de se former dans l'eau sous l'effet d'une tension perturbatrice. Cette tension peut entraîner un phénomène de corrosion électrochimique au niveau de la résistance électrique chauffante.

- ▶ Vérifiez que les conduites d'eau chaude et les tubes d'eau froide en contact avec le ballon sont raccordés à la barre de terre principale par le biais d'un câble de mise à la terre.
- ▶ Assurez-vous également que la résistance électrique chauffante est raccordée à la barre de terre principale par le biais de la borne de mise à la terre.

L'installation électrique doit être réalisée exclusivement par un électricien qualifié.

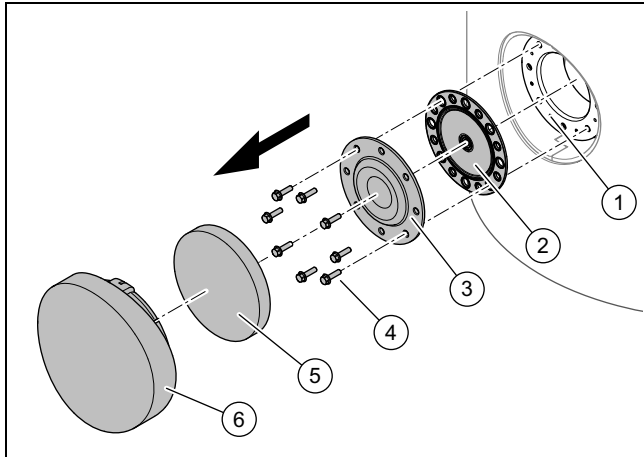
La résistance électrique chauffante doit être montée exclusivement à l'horizontale. Le montage à la verticale n'est pas autorisé.

Pour le raccordement électrique, utilisez un câble de raccordement au secteur homologué pour une température de 80 °C.

Vérifiez que le ballon d'eau chaude sanitaire est plein avant de mettre la résistance électrique chauffante en fonctionnement.

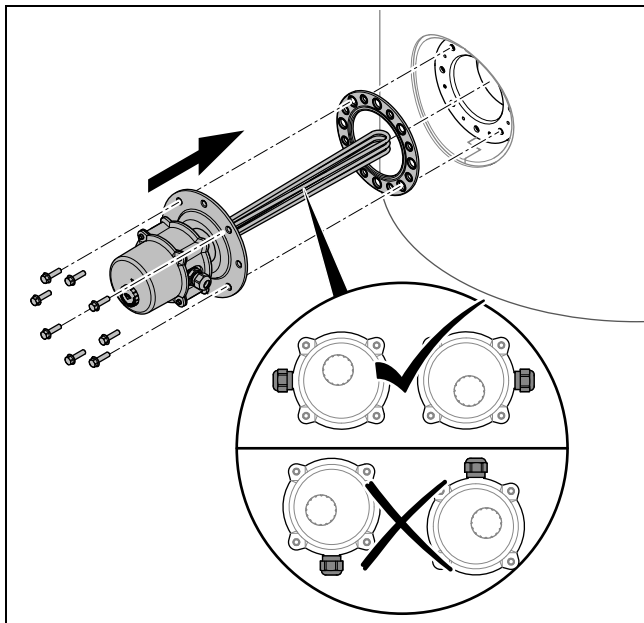
Pour que la résistance électrique chauffante puisse fonctionner de nombreuses années, l'eau fraîche doit répondre à des critères de qualité minimale : teneur en chlorures < 120 mg/l, dureté de l'eau < 2,4965 mmol/l (< 14°dH; < 24,987°fH ; < 140 mg CaCO<sub>3</sub>/l ; < 249,87 mg CaCO<sub>3</sub>/l ; < 249,87 ppm (mg CaCO<sub>3</sub>/l)). Si l'eau est plus dure, nous préconisons une installation d'adoucissement d'eau !

## 5.1 Démontage de l'orifice de révision



1. Mettez le ballon d'eau chaude sanitaire hors tension si nécessaire.
2. Vidangez le ballon d'eau chaude.
3. Retirez les éléments isolants (5) et (6).
4. Démontez les vis (4) de fixation du couvercle (3) de l'orifice de révision (1).
5. Retirez le couvercle et le joint (2).

## 5.2 Montage de la résistance électrique chauffante



1. Utilisez le joint neuf fourni pour l'orifice de révision.



### Danger !

#### Risque de dommages matériels en cas de rotation excessive du filetage

La bride de réduction est prémontée sur le filetage de la résistance électrique chauffante suivant un couple précis, de façon à positionner parfaitement la configuration de perçage par rapport aux résistances électriques chauffantes. Si vous serrez davantage la bride de réduction sur le filetage de la résistance électrique chauffante, vous risquez d'endommager le filetage.

- Montez la résistance électrique chauffante avec la bride de réduction prémontée telle qu'elle a été fournie.

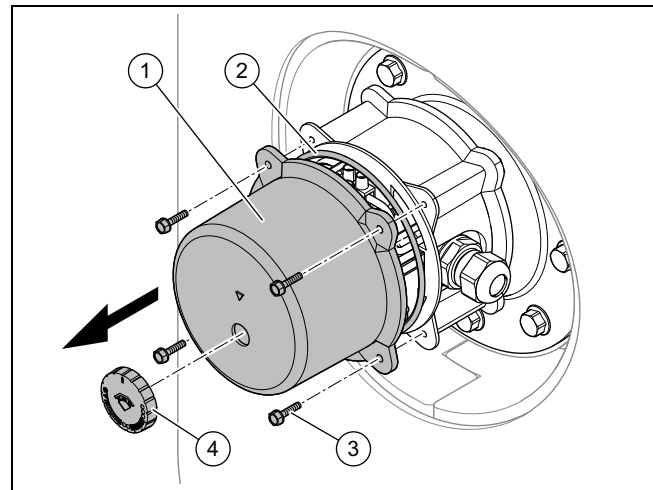
2. Montez la résistance électrique chauffante comme indiqué sur l'illustration.
3. Serrez les vis de la bride de réduction en croix.

## 5.3 Établissement de l'alimentation électrique

Le câble de raccordement au secteur externe doit être mis à la terre, mais aussi raccordé conformément aux prescriptions en vigueur et en respectant bien la polarité.

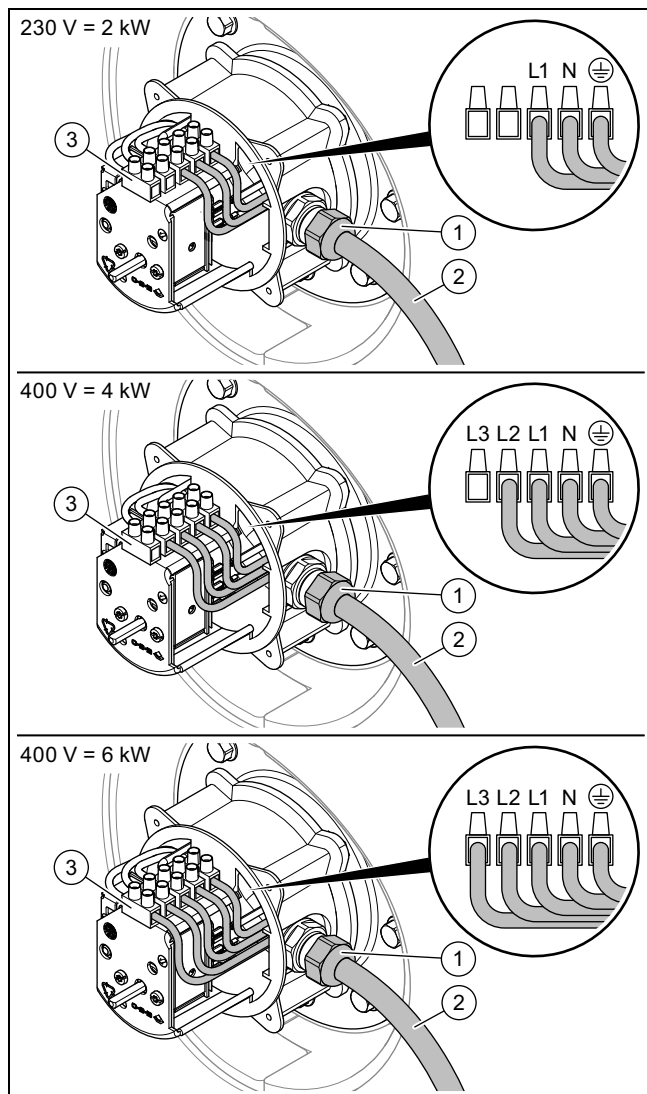
- En cas de raccordement câblé au secteur, installez un séparateur secteur omnipolaire présentant un intervalle de coupure d'au moins 3 mm par pôle (par ex. fusibles ou interrupteur).

## 5.4 Installation électrique



1. Retirez le sélecteur (4) de l'élément de réglage.
2. Démontez les quatre vis à tête hexagonale (3).
3. Retirez le boîtier de raccordement (1) et le joint (2).

## 6 Mise en service

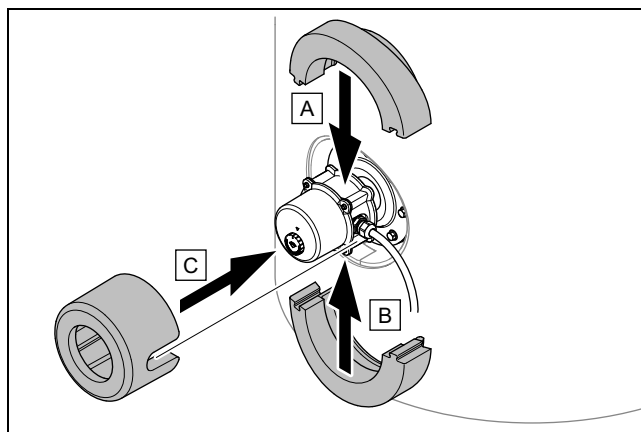


4. Introduisez le câble (2) dans l'ouverture de raccordement au secteur du boîtier, puis fixez-le avec le presse-étoupe PG (1).
  - Couple de serrage recommandé:  $\leq 6,0$  Nm
5. Branchez les fils électriques sur le bornier (3).
6. Mettez le joint et le boîtier de raccordement en place, puis montez les quatre vis hexagonales.
  - Couple de serrage recommandé:  $\leq 1,9$  Nm
7. Placez le sélecteur sur le dispositif de réglage.

## 6 Mise en service

### 6.1 Mise en fonctionnement de la résistance électrique chauffante

1. Remplissez le ballon d'eau chaude sanitaire.
2. Vérifiez que l'orifice de révision est étanche.



3. Montez les éléments isolants.
4. Enclenchez l'alimentation électrique.
5. Utilisez la molette pour régler la température de consigne de la résistance électrique chauffante.

## 7 Dépannage

### 7.1 Fonction de la sécurité de surchauffe

Si la température de l'eau du ballon dépasse 95 °C, la sécurité de surchauffe coupe l'alimentation électrique de la résistance électrique chauffante.

### 7.2 Déverrouillage du limiteur de température de sécurité (LTS) après une coupure



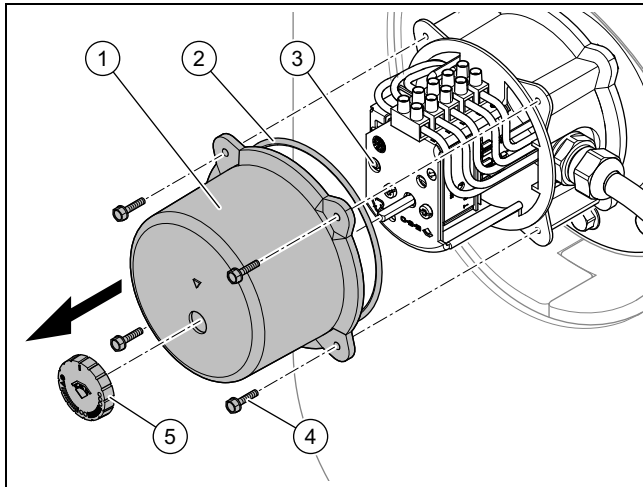
#### Attention !

#### Risque de dommages matériels en cas de surchauffe !

Le produit risque d'être endommagé si vous ne remédiez pas au défaut qui a provoqué son arrêt.

- Ne réenclenchez la sécurité de surchauffe qu'après élimination de l'origine du défaut ayant entraîné le déclenchement de la sécurité de surchauffe.

1. Coupez l'alimentation électrique.
2. Démontez les éléments isolants de la résistance électrique chauffante.



3. Retirez le sélecteur (5) de l'élément de réglage.
4. Démontez les quatre vis à tête hexagonale (4).
5. Retirez le boîtier de raccordement (1) et le joint (2).
6. Appuyez sur la touche de déverrouillage de la sécurité de surchauffe (3).
7. Mettez le joint et le boîtier de raccordement en place, puis montez les quatre vis hexagonales.
8. Placez le sélecteur sur le dispositif de réglage.
9. Montez les éléments isolants.
10. Enclenchez l'alimentation électrique.

## 8 Mise hors service

### 8.1 Mise hors service de l'appareil

1. Coupez l'alimentation électrique de la résistance électrique chauffante.
2. Débranchez l'alimentation électrique.
3. Vidangez le ballon d'eau chaude.
4. Démontez la résistance chauffante électrique.
5. Montez le joint et le couvercle de l'orifice de révision.
6. Montez la protection de l'orifice de révision.

### 8.2 Recyclage et mise au rebut

#### Mise au rebut de l'emballage

- Procédez à la mise au rebut de l'emballage dans les règles.
- Conformez-vous à toutes les prescriptions en vigueur.

## 9 Service client

### 9.1 Service client

Les coordonnées de notre service client figurent dans l'annexe ou sur notre site Internet.

## 10 Caractéristiques techniques

	Résistance électrique chauffante 2 - 6 kW
Puissance nominale de sortie	2 ; 4 ; 6 kW
Température ambiante admissible en fonctionnement	0 ... 40 °C
Humidité de l'air admissible en %	< 75 (stockage prolongé) ; < 93 (en cours de transport)
Dureté max. recommandée de l'eau potable	≤ 14 °dH
Plage de réglage de la température	28 ... 70 °C
Température admissible de stockage d'eau	7 ... 85 °C
Température de fonctionnement pour l'eau chaude	65 °C
Température max. de l'eau potable dans le ballon	≤ 95 °C
Pression de service max. de l'eau potable	≤ 1 MPa (≤ 10 bar)
Mise en sécurité thermique en cas de fonctionnement à sec	95 °C <sup>+8 K</sup>
Température min. de protection contre le gel	≥ 7 °C
Température max. de la tête de résistance chauffante	≤ 95 °C
Température max. à la surface de la résistance chauffante	≤ 150 °C
Densité de puissance max.	max. 14,1 W/cm <sup>3</sup>
Longueur d'insertion (profondeur d'immersion)	450 mm
Diamètre d'insertion	≈ 36,5 mm
Diamètre de la résistance chauffante	6,5 mm
Matière des résistances chauffantes	2.4858/Incoloy 825
Matière de la tête de résistance chauffante	1.4404
Clé pour tête de résistance	60 mm
Raccord fileté	G 1 1/2 B pouce
Couple de serrage recommandé pour la tête de résistance chauffante	90 ... 100 Nm
Longueur de la tête de résistance chauffante	≈ 160 mm
Matière du boîtier de raccordement	PA6 GF30
Poids net de la tête de résistance chauffante	1,36 kg
Alimentation électrique	1 N PE ~230 V AC/50 Hz 1x 16 A ; 3 N PE ~400 V AC/50 Hz 3 x 16 A
Type de protection	IP54 (DIN EN 60529)

## 10 Caractéristiques techniques

	Résistance électrique chauffante 2 - 6 kW
Classe de protection électrique	I
Catégorie de surtension	II



## Upute za korištenje

### Sadržaj

<b>1</b>	<b>Sigurnost</b> .....	<b>64</b>
1.1	Upozorenja koja se odnose na rukovanje .....	64
1.2	Namjenska uporaba.....	64
1.3	Općeniti sigurnosni zahtjevi.....	64
1.4	Propisi (smjernice, zakoni, norme) .....	65
<b>2</b>	<b>Napomene o dokumentaciji</b> .....	<b>66</b>
2.1	Poštivanje važeće dokumentacije .....	66
2.2	Čuvanje dokumentacije .....	66
2.3	Područje važenja uputa .....	66
<b>3</b>	<b>Opis proizvoda</b> .....	<b>66</b>
3.1	Konstrukcija proizvoda.....	66
3.2	CE oznaka .....	66
<b>4</b>	<b>Rad</b> .....	<b>66</b>
4.1	Pregled funkcija podesivog regulatora .....	66
<b>5</b>	<b>Prijava smetnje</b> .....	<b>67</b>
5.1	Prepoznavanje i uklanjanje smetnji .....	67
<b>6</b>	<b>Čišćenje i održavanje</b> .....	<b>67</b>
6.1	Čišćenje proizvoda .....	67
<b>7</b>	<b>Stavljanje izvan pogona</b> .....	<b>67</b>
7.1	Privremeno stavljanje proizvoda izvan pogona.....	67
7.2	Stavljanje proizvoda izvan pogona za stalno.....	67
7.3	Recikliranje i zbrinjavanje otpada .....	67
<b>8</b>	<b>Jamstvo i servisna služba za korisnike</b> .....	<b>67</b>
8.1	Jamstvo .....	67
8.2	Servisna služba za korisnike .....	67

# 1 Sigurnost

## 1 Sigurnost

### 1.1 Upozorenja koja se odnose na rukovanje

#### Klasifikacija upozorenja koja se odnose na određenu radnju

Upozorenja koja se odnose na određenu radnju klasificirana su znakovima upozorenja i signalnim riječima u pogledu moguće opasnosti na sljedeći način:

#### Znakovi upozorenja i signalne riječi



##### Opasnost!

Neposredna opasnost po život ili opasnost od teških tjelesnih ozljeda



##### Opasnost!

Opasnost po život od strujnog udara



##### Upozorenje!

Opasnost od lakših tjelesnih ozljeda



##### Oprez!

Rizik od materijalnih ili ekoloških šteta

### 1.2 Namjenska uporaba

U slučaju nestručne ili nenamjenske uporabe može doći do opasnosti do tjelesnih ozljeda i opasnosti po život korisnika ili trećih osoba, odn. oštećenja proizvoda i drugih materijalnih vrijednosti.

Protočni grijač služi za grijanje dijela spremnika tople vode VIH R 300 - 500 i VIH S 300 - 500 spremnog za rad. On je posebno predviđen kao dodatno grijanje.

Namjenska uporaba obuhvaća:

- pridržavanje priloženih uputa za uporabu proizvoda te svih drugih komponenata postrojenja
- poštivanje svih uvjeta za inspekciju i održavanje navedenih u uputama.

Ovaj proizvod mogu upotrebljavati djeca od 8 godine starosti i više, kao i osobe sa smanjenim tjelesnim, osjetilnim ili mentalnim sposobnostima, odnosno sa nedovoljnim znanjem i iskustvom samo ako se nadziru ili ako su upućene u sigurnu upotrebu proizvoda, kao i ako razumiju opasnosti koje rezultiraju iz toga. Djeca se ne smiju igrati proizvodom. Čišćenje i radove održavanja za koja je za-

dužen korisnik ne smiju provoditi djeca bez nadzora.

Neka druga vrsta uporabe od one koja je navedena u ovim uputama ili uporaba koja prelazi granice ovdje opisane uporabe smatra se nenamjenskom. U nenamjensku uporabu ubraja se i svaka neposredna komercijalna i industrijska uporaba.

#### Pozor!

Zabranjena je svaka zlouporaba uređaja.

### 1.3 Općeniti sigurnosni zahtjevi

#### 1.3.1 Opasnost zbog pogrešnog rukovanja

Pogrešnim rukovanjem možete ugroziti sebe i druge te prouzročiti materijalnu štetu.

- ▶ Pročitajte pažljivo ove upute i sve važeće dokumente, posebno poglavlje "Sigurnost" i upozoravajuće napomene.
- ▶ Provedite one aktivnosti koje su navedene u priloženim uputama za korištenje.

#### 1.3.2 Rizik od materijalne štete uslijed mraza

- ▶ Vodite računa o tome da sustav grijanja u slučaju mraza u svakom slučaju ostane u pogonu i da sve prostorije imaju dostatnu temperaturu.
- ▶ Ako ne želite ostaviti uključen pogon, onda neka ovlašteni serviser isprazni sustav grijanja.

#### 1.3.3 Opasnost po život zbog preinaka proizvoda ili prostora oko proizvoda

- ▶ Nemojte uklanjati, premestiti ili blokirati sigurnosne uređaje.
- ▶ Nemojte vršiti nikakve manipulacije na sigurnosnoj opremi.
- ▶ Nikada nemojte uništavati ili uklanjati plombe na sastavnim dijelovima.
- ▶ Nemojte vršiti nikakve promjene:
  - na proizvodu
  - na dovodima vode i struje
  - na sigurnosnom ventilu
  - na odvodnim vodovima
  - na građevinskom objektu koje mogu utjecati na pogonsku sigurnost proizvod

#### **1.3.4 Opasnost od ozljeda i rizik od materijalne štete uslijed nepravilnog ili neizvršenog održavanja i popravka**

- ▶ Nikada nemojte sami pokušavati provoditi radove održavanja ili popravke svojeg proizvoda.
- ▶ Uklanjanje smetnji i oštećenja odmah bi trebao provesti ovlašteni serviser.
- ▶ Pridržavajte se zadanih intervala za radove održavanja.

#### **1.4 Propisi (smjernice, zakoni, norme)**

- ▶ Pridržavajte se nacionalnih propisa, normi, direktiva i zakona.

## 2 Napomene o dokumentaciji

### 2 Napomene o dokumentaciji

#### 2.1 Poštivanje važeće dokumentacije

- ▶ Obvezno obratite pozornost na sve upute za uporabu koje su priložene uz komponente sustava.

#### 2.2 Čuvanje dokumentacije

- ▶ Sačuvajte ove upute za rukovanje, kao i svu važeću dokumentaciju kako biste ih mogli koristiti i dalje.

#### 2.3 Područje važenja uputa

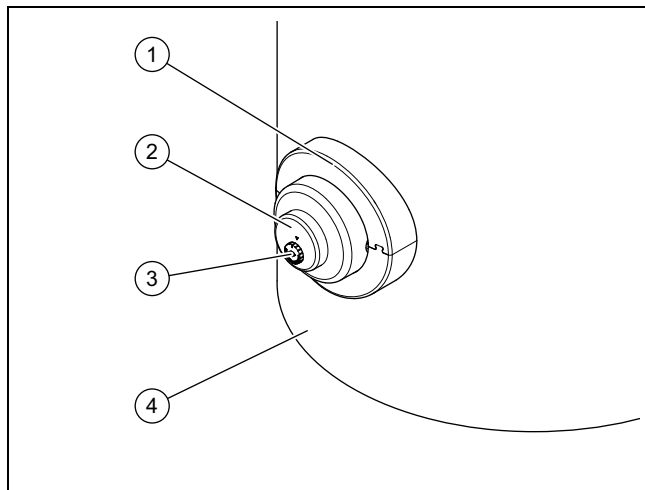
Ove upute vrijede isključivo za:

##### Broj artikla proizvoda

Električni protočni grijač (dodatni pribor)	0020230734
---	------------

## 3 Opis proizvoda

### 3.1 Konstrukcija proizvoda



- |   |   |
|---|---|
| 1 Tipka pločica (ispod pokrova)               | 3 Podesivi regulator temperature tople vode |
| 2 Električni protočni grijač (dodatni pribor) | 4 Spremnik                                  |

### 3.2 CE oznaka



CE-oznakom je dokumentirano da proizvodi sukladno tipskoj pločici ispunjavaju osnovne zahtjeve važećih smjernica.

Uvid u izjavu o sukladnosti moguće je dobiti kod proizvođača.

## 4 Rad

### 4.1 Pregled funkcija podesivog regulatora

Položaj podesivog regulatora	Funkcija
	ISKLJ.
	Zaštita od smrzavanja
	Temperatura tople vode otprilike 40 °C
	Temperatura tople vode otprilike 60 °C
	Temperatura tople vode otprilike 70 °C
	Normalan rad Temperatura tople vode otprilike 65 °C

## 5 Prijava smetnje

### 5.1 Prepoznavanje i uklanjanje smetnji

**Uvjeti:** Temperatura tople vodene dostiže podešenu temperaturu

- ▶ Sigurnosni ograničivač temperature se prema potrebi aktivirao. Obavijestite ovlaštenog servisera.

## 6 Čišćenje i održavanje

### 6.1 Čišćenje proizvoda



#### Oprez!

**Rizik od materijalnih oštećenja zbog nepravilnog sredstva za čišćenje!**

- ▶ Nemojte koristiti raspršivače, sredstva za ribanje, sredstva za pranje posuđa ili sredstva za čišćenje koja sadrže otapala ili klor.

- ▶ Oplatu čistite vlažnom krpom natopljenom u otopini vode s malo deterdženta koji ne sadrži otapala.

## 7 Stavljanje izvan pogona

### 7.1 Privremeno stavljanje proizvoda izvan pogona

1. Podesivi regulator stavite u položaj „ISKLJ.“.
2. Uvjerite se da je osigurana zaštita od niskih temperatura.

### 7.2 Stavljanje proizvoda izvan pogona za stalno

- ▶ Stavljanje proizvoda izvan pogona na stalno prepustite ovlaštenom serviseru.

### 7.3 Recikliranje i zbrinjavanje otpada



Ako je proizvod obilježen sljedećom oznakom:

- ▶ U tom slučaju nemojte odlagati proizvod u kućni otpad.
- ▶ Umjesto toga predajte proizvod na mjestu za skupljanje električnih i elektroničkih starih uređaja.



Ako proizvod sadrži baterije označene ovom oznakom, onda baterije mogu sadržavati supstance štetne po zdravlje ili okoliš.

- ▶ U tom slučaju odložite baterije na mjestu za skupljanje baterija.

## 8 Jamstvo i servisna služba za korisnike

### 8.1 Jamstvo

Informacije o jamstvu proizvođača zatražite na adresi za kontakt navedenoj u prilogu.

### 8.2 Servisna služba za korisnike

Podatke za kontakt naše servisne službe za korisnike pronaći ćete u prilogu ili na našoj internetskoj stranici.

# Sadržaj

## Upute za instaliranje

### Sadržaj

<b>1</b>	<b>Sigurnost</b> .....	<b>69</b>
1.1	Upozorenja koja se odnose na rukovanje .....	69
1.2	Namjenska uporaba.....	69
1.3	Općeniti sigurnosni zahtjevi .....	69
1.4	Propisi (smjernice, zakoni, norme) .....	70
<b>2</b>	<b>Napomene o dokumentaciji</b> .....	<b>71</b>
2.1	Poštivanje važeće dokumentacije .....	71
2.2	Čuvanje dokumentacije .....	71
2.3	Područje važenja uputa .....	71
<b>3</b>	<b>Opis proizvoda</b> .....	<b>71</b>
3.1	Konstrukcija proizvoda.....	71
3.2	CE oznaka .....	71
<b>4</b>	<b>Montaža</b> .....	<b>71</b>
4.1	Provjera opsega isporuke .....	71
<b>5</b>	<b>Instalacija</b> .....	<b>71</b>
5.1	Demontaža otvora za čišćenje .....	72
5.2	Montaža protočnog grijača .....	72
5.3	Uspostava strujnog napajanja .....	72
5.4	Električna instalacija .....	72
<b>6</b>	<b>Puštanje u rad</b> .....	<b>73</b>
6.1	Stavljanje protočnog grijača u rad .....	73
<b>7</b>	<b>Prijava smetnje</b> .....	<b>73</b>
7.1	Funkcija sigurnosnog ograničavača temperature .....	73
7.2	Deblokiranje sigurnosnog ograničivača temperature nakon isključivanja .....	73
<b>8</b>	<b>Stavljanje izvan pogona</b> .....	<b>74</b>
8.1	Stavljanje proizvoda izvan pogona .....	74
8.2	Recikliranje i zbrinjavanje otpada .....	74
<b>9</b>	<b>Servisna služba za korisnike</b> .....	<b>74</b>
9.1	Servisna služba za korisnike .....	74
<b>10</b>	<b>Tehnički podatci</b> .....	<b>74</b>

## 1 Sigurnost

### 1.1 Upozorenja koja se odnose na rukovanje

#### Klasifikacija upozorenja koja se odnose na određenu radnju

Upozorenja koja se odnose na određenu radnju klasificirana su znakovima upozorenja i signalnim riječima u pogledu moguće opasnosti na sljedeći način:

#### Znakovi upozorenja i signalne riječi



##### Opasnost!

Neposredna opasnost po život ili opasnost od teških tjelesnih ozljeda



##### Opasnost!

Opasnost po život od strujnog udara



##### Upozorenje!

Opasnost od lakših tjelesnih ozljeda



##### Oprez!

Rizik od materijalnih ili ekoloških šteta

### 1.2 Namjenska uporaba

U slučaju nestručne ili nenamjenske uporabe može doći do opasnosti do tjelesnih ozljeda i opasnosti po život korisnika ili trećih osoba, odn. oštećenja proizvoda i drugih materijalnih vrijednosti.

Protočni grijač služi za grijanje dijela spremnika tople vode VIH R 300 - 500 i VIH S 300 - 500 spremnog za rad. On je posebno predviđen kao dodatno grijanje.

Namjenska uporaba obuhvaća:

- uvažavanje priloženih uputa za uporabu, instaliranje i servisiranje proizvoda te svih ostalih komponenti postrojenja
- instalaciju i montažu sukladno odobrenju proizvoda i sustava
- poštivanje svih uvjeta za inspekciju i održavanje navedenih u uputama.

Osim toga, namjenska uporaba obuhvaća instalaciju sukladno IP klasi.

Neka druga vrsta uporabe od one koja je navedena u ovim uputama ili uporaba koja prelazi granice ovdje opisane uporabe smatra se nenamjenskom. U nenamjensku uporabu

ubraja se i svaka neposredna komercijalna i industrijska uporaba.

#### Pozor!

Zabranjena je svaka zlouporaba uređaja.

### 1.3 Općeniti sigurnosni zahtjevi

#### 1.3.1 Opasnost od nedovoljne kvalifikacije

**Područje važenja:** Nije za Rusiju

Sljedeće poslove smiju provoditi samo ovlašteni serviseri koji su za to kvalificirani:

**Područje važenja:** Rusija

Sljedeće poslove smiju provoditi samo Vaillant ovlašteni serviseri koji su za to kvalificirani:

- Montaža
- Demontaža
- Instalacija
- Puštanje u rad
- Inspekcija i održavanje
- Popravak
- Stavljanje izvan pogona
- ▶ Obratite pozornost na sve popratne upute proizvođača.
- ▶ Postupajte u skladu sa stanjem tehnike.
- ▶ Pridržavajte se svih važećih direktiva, normi, zakona i ostalih propisa.

#### 1.3.2 Opasnost po život od strujnog udara

U slučaju dodira komponente koja provodi napon postoji smrtna opasnost od strujnog udara.

Prije radova na proizvodu:

- ▶ Proizvod dovedite u beznaponsko stanje tako što ćete isključiti sva strujna napajanja u svim polovima (elektronska sklopka s otvorom kontakta od barem 3 mm, npr. osigurač ili zaštitna mrežna sklopka).
- ▶ Osigurajte od ponovnog uključivanja.
- ▶ Provjerite nepostojanje napona.

#### 1.3.3 Rizik od materijalne štete uslijed mraza

- ▶ Proizvod instalirajte u prostorije koje su zaštićene od smrzavanja.

## 1 Sigurnost

### 1.3.4 Opasnost od opekline i oparina uslijed vrućih sastavnih dijelova

- ▶ Na tim sastavnim dijelovima radite tek kada se rashlade.

### 1.3.5 Rizik od materijalne štete uslijed neprikladnog alata

- ▶ Za pritezanje ili popuštanje vijčanih spojeva koristite profesionalan alat.

### 1.3.6 Opasnost po život zbog nedostatka sigurnosne opreme

Na shema koje se nalaze u ovom dokumentu nije prikazana sva sigurnosna oprema koja je neophodna za stručnu instalaciju.

- ▶ U sustav instalirajte neophodnu sigurnosnu opremu.
- ▶ Pridržavajte se dotičnih nacionalnih i internacionalnih zakona, normi i direktiva.

## 1.4 Propisi (smjernice, zakoni, norme)

- ▶ Pridržavajte se nacionalnih propisa, normi, direktiva i zakona.



## 2 Napomene o dokumentaciji

### 2.1 Poštivanje važeće dokumentacije

- ▶ Obvezno obratite pozornost na sve upute za uporabu i instaliranje koje su priložene uz komponente sustava.

### 2.2 Čuvanje dokumentacije

- ▶ Ove upute kao i važeću dokumentaciju predajte vlasniku sustava.

### 2.3 Područje važenja uputa

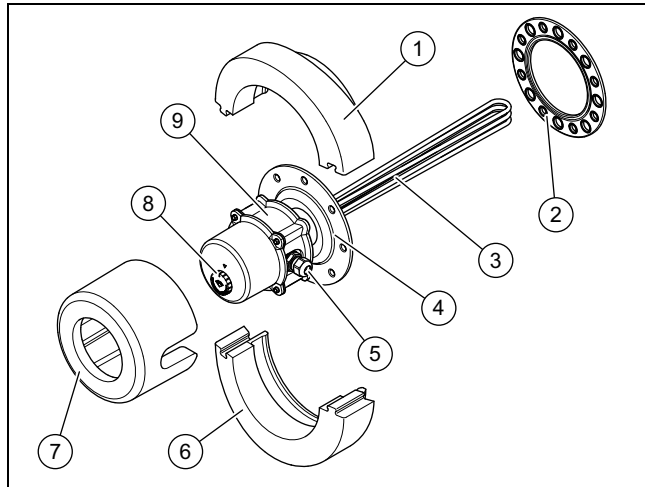
Ove upute vrijede isključivo za:

#### Broj artikla proizvoda

Električni protočni grijač (dodatni pribor)	0020230734
---	------------

## 3 Opis proizvoda

### 3.1 Konstrukcija proizvoda



- |  |  |
|--|--|
| 1 Izolacijski element gornjeg polukruga                                  | 5 PG-vijčani spoj za električni priključak   |
| 2 Brtva otvora za čišćenje   | 6 Izolacijski element donjeg polukruga       |
| 3 Protočni grijači   | 7 Izolacijski tuljak glave protočnog grijača |
| 4 Redukcijska priрубnica, prethodno montirana s brtvom na vijčanoj glavi | 8 Podesivi regulator                         |
|  | 9 Tipska pločica                             |

### 3.2 CE oznaka



CE-oznakom je dokumentirano da proizvodi sukladno tipskoj pločici ispunjavaju osnovne zahtjeve važećih smjernica.

Uvid u izjavu o sukladnosti moguće je dobiti kod proizvođača.

## 4 Montaža

### 4.1 Provjera opsega isporuke

- ▶ Provjerite je li opseg isporuke potpun i neoštećen.

Količina	Naziv
1	Električni protočni grijač (dodatni pribor)
1	Redukcijska priрубnica
1	Brtva otvora za čišćenje
1	Upute za rukovanje i instaliranje

## 5 Instalacija



### Opres!

**Rizik od materijalnih oštećenja zbog korozije i kratkog spoja uslijed nedostatka uzemljenja**

Ako umetnete protočni grijač u spremnik, zbog postojećeg vanjskog napona može doći do stvaranja električnog potencijala u vodi, koji može prouzročiti elektrokemijsku koroziju na protočnom grijaču.

- ▶ Uvjerite se da su toplovodne cijevi i cijevi za hladnu vodu priključene neposredno na spremniku kabelom za uzemljenje priključen na glavni vod za uzemljenje.
- ▶ Osim toga se uvjerite da je preko stezaljke za uzemljenje na glavni vod za uzemljenje priključen i protočni grijač.

Elektroinstalaciju smije provoditi samo ovlaštenu serviser.

Protočni se grijač smije montirati samo vodoravno. Nije dopuštena okomita ugradnja.

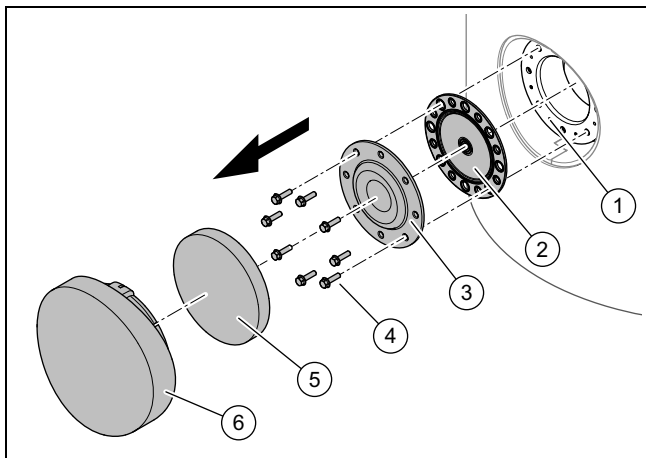
Za električni priključak koristite mrežni priključni kabel koji je dopušten za temperaturu od 80 °C.

Uvjerite se da je spremnik tople vode napunjen prije nego stavite u rad protočni grijač.

Kako bi se zadržala dugogodišnja funkcionalnost protočnog grijača preporuča se sljedeća minimalna kvaliteta svježe vode: sadržaj klorida < 120 mg/l, tvrdoća vode < 2,4965 mmol/l (< 14°dH; < 24,987°fH; < 140 mg CaCO<sub>3</sub>/l; < 249,87 mg CaCO<sub>3</sub>/l; < 249,87 ppm (mg CaCO<sub>3</sub>/l)). Kod veće tvrdoće vode preporuča se korištenje sustava za omekšavanje vode!

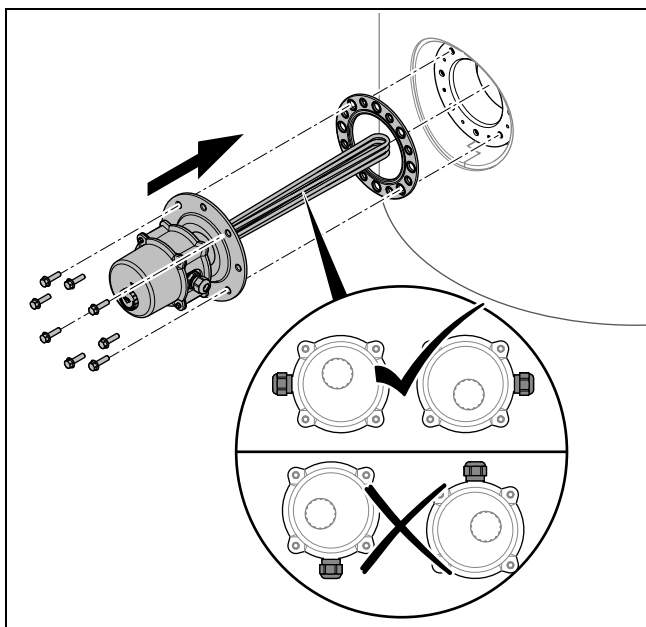
## 5 Instalacija

### 5.1 Demontaža otvora za čišćenje



1. Prema potrebi isključite napon spremnika tople vode.
2. Ispraznite spremnik za toplu vodu.
3. Skinite izolacijske elemente (5) i (6).
4. Demontirajte vijke (4) za pričvršćivanje poklopca (3) otvora za čišćenje (1).
5. Skinite poklopac i brtvu (2).

### 5.2 Montaža protočnog grijača



1. Upotrijebite isporučenu novu brtvu za otvor za čišćenje.



#### Opasnost!

#### Rizik od materijalne štete zbog prejakog zatezanja navoja

Redukcijska prirubnica prethodno je montirana na navoj protočnog grijača s određenim okretnim momentom, tako da se slika rupe i protočnog grijača nalaze u idealnom položaju. Ako redukcijsku prirubnicu jače pritegnete na navoju protočnog grijača, navoj se može oštetiti.

- ▶ Montirajte protočni grijač s prethodno montiranom redukcijskom prirubnicom kako je isporučeno.

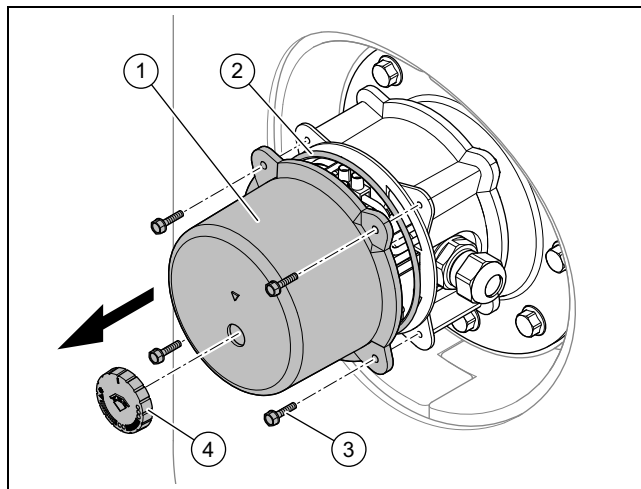
2. Montirajte protočni grijač kako je prikazano.
3. Zategnite vijke na redukcijskoj prirubnici putem križa.

### 5.3 Uspostava strujnog napajanja

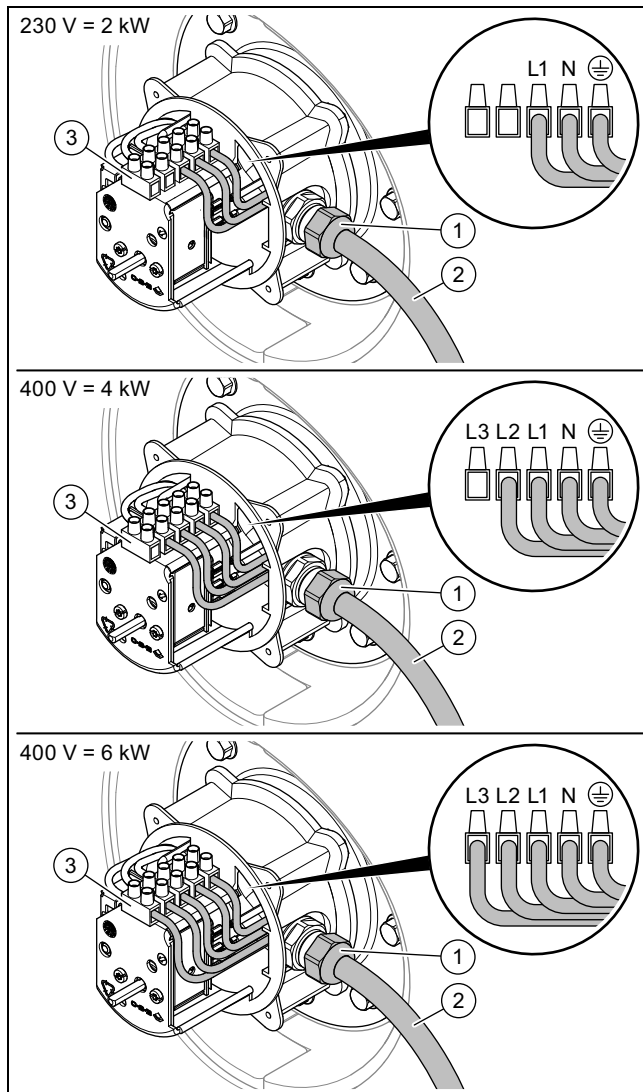
Vanjski priključni mrežni kabel mora biti uzemljen, te priključen s ispravnim polaritetom i sukladno važećim propisima.

- ▶ Za fiksno ožičeni priključak na mrežu instalirajte separator sa mreže za sve polove sa širinom kontaktnog otvora od najmanje 3 mm po polu (npr. osigurači ili energetske sklopke).

### 5.4 Električna instalacija



1. Skinite zakretni gumb (4) sa podesivog regulatora.
2. Demontirajte četiri šesterostrana vijka (3).
3. Skinite kućište priključka (1) i brtvu (2).

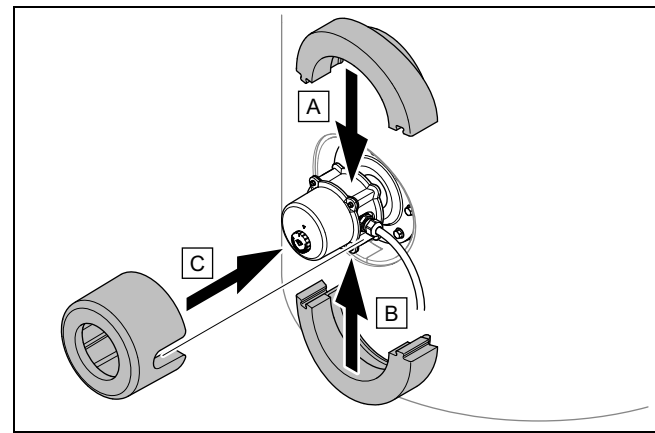


4. Uvucite kabel (2) kroz otvor mrežnog priključka u kućište i pričvrstite ga pomoću PG vijčanog spoja (1).
  - Preporučeni moment pritezanja:  $\leq 6,0$  Nm
5. Priključite žile na priključnu stezaljku (3).
6. Utaknite brtvu i kućište priključka i montirajte četiri šesterostrana vijka.
  - Preporučeni moment pritezanja:  $\leq 1,9$  Nm
7. Natakните zakretni gumb na podesivi regulator.

## 6 Puštanje u rad

### 6.1 Stavljanje protočnog grijača u rad

1. Napunite spremnik tople vode.
2. Provjerite nepropusnost otvora za čišćenje.



3. Montirajte izolacijske elemente.
4. Uključite strujno napajanje.
5. Kotačem za podešavanje podesite temperaturu kojom protočni grijač treba grijati.

## 7 Prijava smetnje

### 7.1 Funkcija sigurnosnog ograničavača temperature

Ako temperatura vode u spremniku prekorači  $95$  °C, sigurnosni ograničivač temperature (STB) isključuje dovod napona na protočnom grijaču.

### 7.2 Deblokiranje sigurnosnog ograničavača temperature nakon isključivanja



#### Oprez!

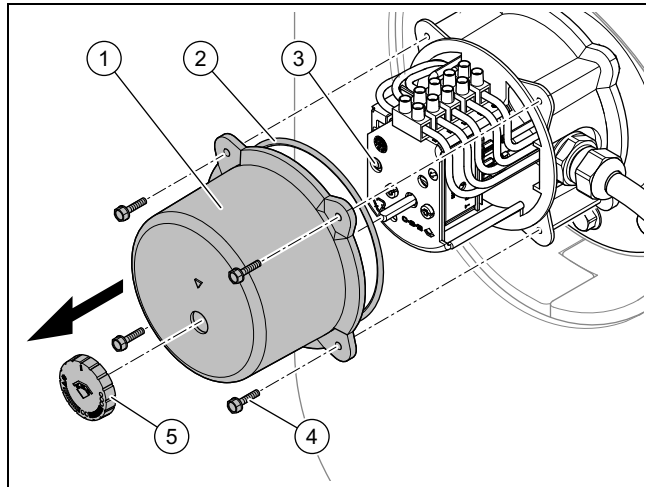
#### Rizik od materijalnih oštećenja zbog pregrijavanja!

Ukoliko ne uklonite pogrešku koja je dovela do isključivanja proizvoda može doći do štete na uređaju.

- Sigurnosni ograničivač temperature ponovno uključite tek nakon uklanjanja uzroka pogreške koja je dovela do aktiviranja sigurnosnog ograničivača temperature.

1. Isključite strujno napajanje.
2. Démonitirajte izolacijske elemente sa protočnog grijača.

## 8 Stavljanje izvan pogona



3. Skinite zakretni gumb (5) sa podesivog regulatora.
4. Demontirajte četiri šesterostrana vijka (4).
5. Skinite kućište priključka (1) i brtvu (2).
6. Utisnite tipku za deblokadu sigurnosnog ograničivača temperature (3).
7. Utaknite brtvu i kućište priključka i montirajte četiri šesterostrana vijka.
8. Natakните zakretni gumb na podesivi regulator.
9. Montirajte izolacijske elemente.
10. Uključite strujno napajanje.

## 8 Stavljanje izvan pogona

### 8.1 Stavljanje proizvoda izvan pogona

1. Isključite strujno napajanje protočnog grijača.
2. Odvojite od strujnog napajanja.
3. Ispraznite spremnik za toplu vodu.
4. Demontirajte protočni grijač.
5. Montirajte brtvu i poklopac otvora za čišćenje.
6. Montirajte pokrov otvora za čišćenje.

### 8.2 Recikliranje i zbrinjavanje otpada

#### Zbrinjavanje ambalaže

- ▶ Ambalažu propisno zbrinite u otpad.
- ▶ Pridržavajte se relevantnih propisa.

## 9 Servisna služba za korisnike

### 9.1 Servisna služba za korisnike

Podatke za kontakt naše servisne službe za korisnike pronaći ćete u prilogu ili na našoj internetskoj stranici.

## 10 Tehnički podatci

	Protočni grijač 2 - 6 kW
Nazivna izlazna snaga	2; 4; 6 kW
Dopuštena temperatura okoliša pri radu	0 ... 40 °C
Dozvoljena vlažnost zraka u %	< 75 (dulje čuvanje); < 93 (tijekom transporta)
Preporučena maks. tvrdoća pitke vode	≤ 14 °dH
Područje podešavanja temperature	28 ... 70 °C
Dopuštena temperatura spremnika vode	7 ... 85 °C
Radna temperatura tople vode	65 °C
Maks. temperatura spremnika pitke vode	≤ 95 °C
Maks. radni tlak pitke vode	≤ 1 MPa (≤ 10 bar)
Termalna zaštita od isključivanja u suhom radu	95 °C <sup>+8 K</sup>
Min. temperatura zaštite od niskih temperatura	≥ 7 °C
Maks. temperatura glave protočnog grijača	≤ 95 °C
Maks. temperatura površine protočnog grijača	≤ 150 °C
Maks. površinska snaga	maks. 14,1 W/cm <sup>2</sup>
Duljina uvođenja (dubina uranjanja)	450 mm
Promjer uvođenja	≈ 36,5 mm
Promjer protočnog grijača	6,5 mm
Materijal protočnih grijača	2.4858 / Incoloy 825
Materijal glave protočnog grijača	1.4404
Otvor ključa glave protočnog grijača	SW 60 mm
Priključak navoja	G 1 1/2 B cola
Preporučeni moment pritezanja protočnog grijača	90 ... 100 Nm
Duljina glave protočnog grijača	≈ 160 mm
Materijal kućišta priključka	PA6 GF30
Neto težina glave protočnog grijača	1,36 kg
Strujno napajanje	1 N PE ~230 V AC/50 Hz 1x 16 A; 3 N PE ~400 V AC/50 Hz 3 x 16 A
Stupanj zaštite	IP54 (DIN EN 60529)
Električna klasa zaštite	I
Prenaponska kategorija	II

## Kezelési útmutató

### Tartalom

<b>1</b>	<b>Biztonság</b> .....	<b>76</b>
1.1	Kezelésre vonatkozó figyelmeztetések .....	76
1.2	Rendeltetésszerű használat .....	76
1.3	Általános biztonsági utasítások .....	76
1.4	Előírások (irányelvek, törvények, szabványok).....	77
<b>2</b>	<b>Megjegyzések a dokumentációhoz</b> .....	<b>78</b>
2.1	Tartsa be a jelen útmutatóval együtt érvényes dokumentumokban foglaltakat.....	78
2.2	A dokumentumok megőrzése .....	78
2.3	Az útmutató érvényessége .....	78
<b>3</b>	<b>A termék leírása</b> .....	<b>78</b>
3.1	A termék felépítése.....	78
3.2	CE-jelölés .....	78
<b>4</b>	<b>Üzemeltetés</b> .....	<b>78</b>
4.1	Az állítható szabályozó funkcióinak áttekintése .....	78
<b>5</b>	<b>Zavarelhárítás</b> .....	<b>79</b>
5.1	Zavarok felismerése és elhárítása.....	79
<b>6</b>	<b>Ápolás és karbantartás</b> .....	<b>79</b>
6.1	A termék ápolása.....	79
<b>7</b>	<b>Üzemen kívül helyezés</b> .....	<b>79</b>
7.1	A termék átmeneti üzemen kívül helyezése .....	79
7.2	A termék végleges üzemen kívül helyezése .....	79
7.3	Újrahasznosítás és ártalmatlanítás .....	79
<b>8</b>	<b>Garancia és vevőszolgálat</b> .....	<b>79</b>
8.1	Garancia .....	79
8.2	Vevőszolgálat .....	79

# 1 Biztonság

## 1 Biztonság

### 1.1 Kezelésre vonatkozó figyelmeztetések

#### A műveletekre vonatkozó figyelmeztetések osztályozása

A műveletekre vonatkozó figyelmeztetések osztályozása az alábbiak szerint figyelmeztető ábrákkal és jelzőszavakkal a lehetséges veszély súlyossága szerint történik:

#### Figyelmeztető jelzések és jelzőszavak



##### Veszély!

Közvetlen életveszély vagy súlyos személyi sérülések veszélye



##### Veszély!

Áramütés miatti életveszély



##### Figyelmeztetés!

Könnyebb személyi sérülés veszélye



##### Vigyázat!

Anyagi és környezeti károk kockázata

### 1.2 Rendeltetésszerű használat

Szakszerűtlen vagy nem rendeltetésszerű használat esetén a felhasználó vagy harmadik személy testi épségét és életét fenyegető veszély állhat fenn, ill. megsérülhet a termék, vagy más anyagi károk is keletkezhetnek.

A fűtőpatron VIH R 300 - 500 és VIH S 300 - 500 melegvíztároló készenléti részének fűtésére szolgál. Kifejezetten kiegészítő fűtésre terveztük.

A rendeltetésszerű használat a következőket jelenti:

- a termék és a berendezés további komponenseihez mellékelt kezelési utasítások betartása
- az útmutatókban feltüntetett ellenőrzési és karbantartási feltételek betartása.

Nyolc éves, vagy annál idősebb gyermekek, valamint csökkent fizikai, szenzoros vagy mentális képességű, vagy tapasztalattal és ismeretekkel nem rendelkező személyek felügyelettel használhatják a terméket, vagy abban az esetben, ha kioktatták őket a termék biztonságos használatára és a termék használatából fakadó veszélyekre. A gyermekek a termékkel nem játszhatnak. A tisztítási és

karbantartási munkálatokat gyermekek felügyelet nélkül nem végezhetik.

A jelen útmutatóban ismertetett használattól eltérő vagy az azt meghaladó használat nem rendeltetésszerű használatnak minősül. Nem rendeltetésszerű használatnak minősül a termék minden közvetlenül kereskedelmi és ipari célú használata.

#### Figyelem!

Minden, a megengedettől eltérő használat tilos.

### 1.3 Általános biztonsági utasítások

#### 1.3.1 Hibás kezelés miatti veszély

A hibás kezeléssel saját magát vagy másokat veszélyeztethet, és anyagi károkat okozhat.

- ▶ Gondosan olvassa végig a szóban forgó útmutatót, és az összes kapcsolódó dokumentumot, különösen a "Biztonság" című fejezetet és a figyelmeztető információkat.
- ▶ Csak a következő Üzemeltetési útmutatóban leírt műveleteket hajtsa végre.

#### 1.3.2 Anyagi kár veszélye fagy miatt

- ▶ Győződjék meg arról, hogy a fűtési rendszer fagy esetén mindenképpen üzemben marad, és az összes helyiség megfelelően temperált.
- ▶ Amennyiben nem tudja biztosítani az üzemeltetést, üríttesse le szakemberrel a fűtési rendszert.

#### 1.3.3 Életveszély a terméken, vagy a termék környezetében végzett módosítások miatt

- ▶ Semmiképpen ne távolítsa el, ne hidalja át, vagy ne blokkolja a biztonsági berendezéseket.
- ▶ Ne manipulálja a biztonsági berendezéseket.
- ▶ Ne rongálja meg és ne távolítsa el a részegységek plombáit.
- ▶ Ne végezzen módosításokat:
  - a készüléken
  - a víz- és elektromos tápvezetékeknél
  - a biztonsági szelepen
  - a lefolyó vezetékeken

- azokon az építészeti adottságokon, amelyek befolyásolhatják a termék üzembiztonságát

#### **1.3.4 Sérülésveszély és anyagi kár kockázata szakszerűtlen vagy el nem végzett karbantartás és javítás miatt**

- ▶ Soha ne kísérelje meg saját maga elvégezni a termék karbantartását vagy javítását.
- ▶ Az üzemzavarokat és károkat mindig haladéktalanul javíttassa ki egy szakemberrel.
- ▶ Tartsa be az előírt karbantartási időket.

#### **1.4 Előírások (irányelvek, törvények, szabványok)**

- ▶ Vegye figyelembe a nemzeti előírásokat, szabványokat, irányelveket és törvényeket.

## 2 Megjegyzések a dokumentációhoz

### 2 Megjegyzések a dokumentációhoz

#### 2.1 Tartsa be a jelen útmutatóval együtt érvényes dokumentumokban foglaltakat

- ▶ Feltétlenül tartson be minden, a rendszer részegységeihez tartozó üzemeltetési útmutatót.

#### 2.2 A dokumentumok megőrzése

- ▶ További használat céljából őrizze meg ezt az útmutatót, valamint az összes kapcsolódó dokumentumot.

#### 2.3 Az útmutató érvényessége

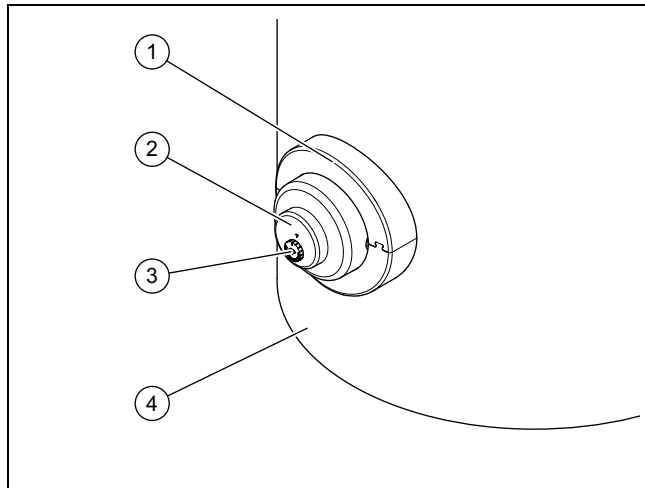
Ez az útmutató kizárólag az alábbiakra érvényes:

##### Termék – cikkszám

Fűtőpatron	0020230734
------------	------------

## 3 A termék leírása

### 3.1 A termék felépítése



- |                             |   |
|-----------------------------|---|
| 1 Adattábla (a fedél alatt) | 3 Melegvíz-hőmérséklet állítható szabályozó |
| 2 Fűtőpatron                | 4 Tároló                                    |

### 3.2 CE-jelölés



A CE-jelölés azt dokumentálja, hogy az adattábla szerinti készülékek megfelelnek a rájuk vonatkozó irányelvek alapvető követelményeinek.

A megfelelőségi nyilatkozat a gyártónál megtekinthető.

## 4 Üzemeltetés

### 4.1 Az állítható szabályozó funkcióinak áttekintése

Az állítható szabályozó állásai	Funkció
	KI
	Fagyvédelem
	Víz hőmérséklet kb. 40 °C
	Víz hőmérséklet kb. 60 °C
	Víz hőmérséklet kb. 70 °C
	Normál üzemmód Víz hőmérséklet kb. 65 °C



## 5 Zavarelhárítás

### 5.1 Zavarok felismerése és elhárítása

**Feltételek:** A melegvíz-hőmérséklet nem éri el a beállított hőmérsékletet

- ▶ A biztonsági hőmérséklet-határoló adott esetben kioldott. Értesítsen egy szakembert.

## 6 Ápolás és karbantartás

### 6.1 A termék ápolása



#### Vigyázat!

**Anyagi kár kockázata nem megfelelő tisztítószer miatt!**

- ▶ Ne használjon spray-t, súrolószereket, mosogatószereket, oldószer- vagy klórtartalmú tisztítószeret..

- ▶ A burkolatot egy kevés oldószermentes tisztítószerrel átitatott, nedves kendővel törölje le.

## 7 Üzemen kívül helyezés

### 7.1 A termék átmeneti üzemen kívül helyezése

1. Állítsa az állítható szabályozót „KI” állásba.
2. Bizonyosodjon meg arról, hogy a megfelelő fagyvédelem biztosított.

### 7.2 A termék végleges üzemen kívül helyezése

- ▶ Véglegesen helyeztesse üzemen kívül a terméket egy szakemberrel.

### 7.3 Újrahasznosítás és ártalmatlanítás



Amennyiben a terméket ezzel a jelzéssel látták el:

- ▶ A terméket tilos a háztartási hulladékkal együtt ártalmatlanítani.
- ▶ Ehelyett adja le a terméket egy elektromos és elektronikus készülékekre szakosodott gyűjtőhelyen.



Ha a termék elemeket tartalmaz, melyek ezzel a jelzéssel vannak ellátva, akkor az elemek egészség- és környezetkárosító anyagokat tartalmazhatnak.

- ▶ Ebben az esetben használtelem-gyűjtő helyen ártalmatlanítsa az elemeket.

## 8 Garancia és vevőszolgálat

### 8.1 Garancia

A gyártói garanciával kapcsolatos információkat kérjük, a mellékletben szereplő kapcsolattartási címen érdeklődjön meg.

### 8.2 Vevőszolgálat

Vevőszolgálatunk elérhetőségeit a mellékletben vagy weboldalunkon találja.

# Tartalom

## Szerelési útmutató

### Tartalom

<b>1</b>	<b>Biztonság</b> .....	<b>81</b>
1.1	Kezelésre vonatkozó figyelmeztetések .....	81
1.2	Rendeltetésszerű használat .....	81
1.3	Általános biztonsági utasítások .....	81
1.4	Előírások (irányelvek, törvények, szabványok).....	82
<b>2</b>	<b>Megjegyzések a dokumentációhoz</b> .....	<b>83</b>
2.1	Tartsa be a jelen útmutatóval együtt érvényes dokumentumokban foglaltakat.....	83
2.2	A dokumentumok megőrzése.....	83
2.3	Az útmutató érvényessége .....	83
<b>3</b>	<b>A termék leírása</b> .....	<b>83</b>
3.1	A termék felépítése.....	83
3.2	CE-jelölés .....	83
<b>4</b>	<b>Szerelés</b> .....	<b>83</b>
4.1	A szállítási terjedelem ellenőrzése .....	83
<b>5</b>	<b>Telepítés</b> .....	<b>83</b>
5.1	Az ellenőrzőnyílás leszerelése .....	84
5.2	Fűtőpatron felszerelése .....	84
5.3	Az áramellátás bekötése .....	84
5.4	Elektromos szerelés .....	84
<b>6</b>	<b>Üzembe helyezés</b> .....	<b>85</b>
6.1	Fűtőpatron üzembe helyezése .....	85
<b>7</b>	<b>Zavarelhátrítás</b> .....	<b>85</b>
7.1	A biztonsági hőmérséklet-határoló működése.....	85
7.2	Biztonsági hőmérséklet-határoló kireteszelése bekapcsolás után.....	85
<b>8</b>	<b>Üzemen kívül helyezés</b> .....	<b>86</b>
8.1	A termék üzemen kívül helyezése.....	86
8.2	Újrahasznosítás és ártalmatlanítás .....	86
<b>9</b>	<b>Vevőszolgálat</b> .....	<b>86</b>
9.1	Vevőszolgálat .....	86
<b>10</b>	<b>Műszaki adatok</b> .....	<b>86</b>

## 1 Biztonság

### 1.1 Kezelésre vonatkozó figyelmeztetések

#### A műveletekre vonatkozó figyelmeztetések osztályozása

A műveletekre vonatkozó figyelmeztetések osztályozása az alábbiak szerint figyelmeztető ábrákkal és jelzőszavakkal a lehetséges veszély súlyossága szerint történik:

#### Figyelmeztető jelzések és jelzőszavak



##### Veszély!

Közvetlen életveszély vagy súlyos személyi sérülések veszélye



##### Veszély!

Áramütés miatti életveszély



##### Figyelmeztetés!

Könnyebb személyi sérülés veszélye



##### Vigyázat!

Anyagi és környezeti károk kockázata

### 1.2 Rendeltetésszerű használat

Szakszerűtlen vagy nem rendeltetésszerű használat esetén a felhasználó vagy harmadik személy testi épségét és életét fenyegető veszély állhat fenn, ill. megsérülhet a termék, vagy más anyagi károk is keletkezhetnek.

A fűtőpatron VIH R 300 - 500 és VIH S 300 - 500 melegvíztároló készletének fűtésére szolgál. Kifejezetten kiegészítő fűtésre terveztük.

A rendeltetésszerű használat a következőket jelenti:

- a termék, valamint a rendszer összes további komponenseihez mellékelt üzemeltetési, szerelési és karbantartási útmutatónak figyelembe vétele
- a termék- és rendszerengedélynek megfelelő telepítés és összeszerelés
- az útmutatókban feltüntetett ellenőrzési és karbantartási feltételek betartása.

A rendeltetésszerű használat a fentiekén kívül az IP osztálynak megfelelő szerelést is magába foglalja.

A jelen útmutatóban ismertetett használattól eltérő vagy az azt meghaladó használat nem rendeltetésszerű használatnak minősül. Nem

rendeltetésszerű használatnak minősül a termék minden közvetlenül kereskedelmi és ipari célú használata.

#### Figyelem!

Minden, a megengedettől eltérő használat tilos.

### 1.3 Általános biztonsági utasítások

#### 1.3.1 Nem megfelelő szakképzettség miatti veszély

##### Érvényesség: Nem Oroszország számára

A következő munkálatokat csak a megfelelő végzettséggel rendelkező szakember végezheti:

##### Érvényesség: Oroszország

A következő munkálatokat csak megfelelő végzettséggel rendelkező, a Vaillant által hitelesített szakember végezheti:

- Szerelés
- Szétszerelés
- Telepítés
- Üzembe helyezés
- Ellenőrzés és karbantartás
- Javítás
- Üzemen kívül helyezés
- ▶ Vegye figyelembe a termékhez mellékelt összes útmutatót.
- ▶ A technika jelenlegi állása szerint járjon el.
- ▶ Tartsa be a vonatkozó irányelveket, törvényeket, szabványokat és előírásokat.

#### 1.3.2 Áramütés miatti életveszély

Ha feszültség alatt álló komponenseket érint meg, akkor fennáll az áramütés miatti életveszély.

Mielőtt dolgozna a termékkel:

- ▶ Az áramellátás összes pólusának kikapcsolásával kapcsolja feszültségmentesre a terméket (legalább 3 mm érintkezőnyílású elektromos leválasztókészülék, pl. biztosíték vagy vezetékvédő kapcsoló segítségével).
- ▶ Biztosítsa a visszakapcsolás ellen.
- ▶ Ellenőrizze a feszültségmentességet.

## 1 Biztonság

### 1.3.3 Anyagi kár veszélye fagy miatt

- ▶ Ne szerelje be a terméket fagyveszélyes helyiségbe.

### 1.3.4 Égési vagy forrázási sérülések veszélye a forró alkatrészek miatt

- ▶ Minden alkatrészen csak akkor végezzen munkát, ha az már lehűlt.

### 1.3.5 Anyagi kár kockázata nem megfelelő szerszám használata révén

- ▶ A csavarkötések meghúzásához és oldásához mindig megfelelő szerszámot használjon.

### 1.3.6 Életveszély hiányzó biztonsági berendezések miatt

Az ebben a dokumentumban található vázlatokon nem szerepel minden, a szakszerű telepítéshez szükséges biztonsági berendezés.

- ▶ Telepítse a szükséges biztonsági berendezéseket a rendszerben.
- ▶ Vegye figyelembe a vonatkozó nemzeti és nemzetközi szabványokat, irányelveket és törvényeket.

## 1.4 Előírások (irányelvek, törvények, szabványok)

- ▶ Vegye figyelembe a nemzeti előírásokat, szabványokat, irányelveket és törvényeket.

## 2 Megjegyzések a dokumentációhoz

### 2.1 Tartsa be a jelen útmutatóval együtt érvényes dokumentumokban foglaltakat

- ▶ Feltétlenül tartsa be minden, a rendszer részegységeihez tartozó üzemeltetési és szerelési útmutatót.

### 2.2 A dokumentumok megőrzése

- ▶ Jelen útmutatót, valamint az összes, vele együtt érvényes dokumentumot adja át a rendszer üzemeltetőjének.

### 2.3 Az útmutató érvényessége

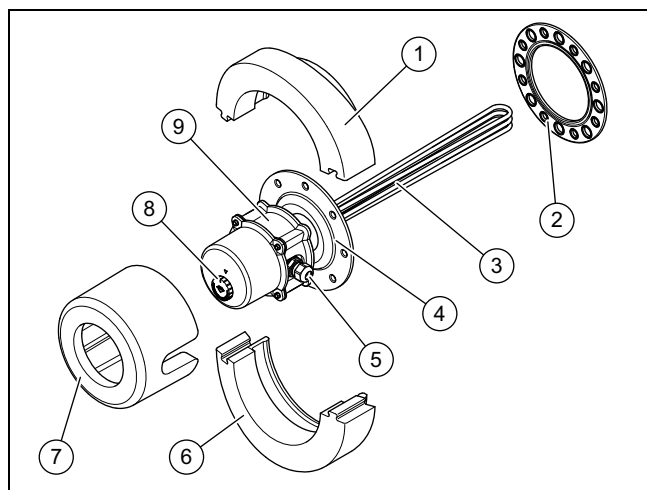
Ez az útmutató kizárólag az alábbiakra érvényes:

#### Termék – cikkszám

Fűtőpatron	0020230734
------------	------------

## 3 A termék leírása

### 3.1 A termék felépítése



- |   |   |   |   |
|---|---|---|---|
| 1 | Szigetelőelem felső félgűrű                           | 5 | PG csavarkötés az elektromos csatlakozáshoz |
| 2 | Ellenőrzőnyílás tömítés                               | 6 | Szigetelőelem alsó félgűrű                  |
| 3 | Fűtőpatronok  | 7 | Fűtőpatronfej szigetelő hüvely              |
| 4 | Csökkentőkarima, a csavarfejhez előszerelt tömítéssel | 8 | Állítható szabályozó                        |
|   |   | 9 | Adattábla                                   |

### 3.2 CE-jelölés



A CE-jelölés azt dokumentálja, hogy az adattábla szerinti készülékek megfelelnek a rájuk vonatkozó irányelvek alapvető követelményeinek.

A megfelelőségi nyilatkozat a gyártónál megtekinthető.

## 4 Szerelés

### 4.1 A szállítási terjedelem ellenőrzése

- ▶ Ellenőrizze a szállítási terjedelem teljességét és sértetlenségét.

Mennyiség	Megnevezés
1	Fűtőpatron
1	Csökkentőkarima
1	Ellenőrzőnyílás tömítés
1	Üzemeltetési és szerelési útmutató

## 5 Telepítés



### Vigyázat!

#### Korrózió és rövidzárlat miatti anyagi károk kockázata hiányzó földelés esetén

Amennyiben a tárolóba fűtőpatront szerel be, akkor a meglévő idegenfeszültség miatt a vízben elektromos potenciál alakulhat ki, amely a fűtőpatron elektrokémiai korrózióját okozhatja.

- ▶ Bizonyosodjon meg arról, hogy mind a meleg-, mind a hidegvízcsövek közvetlenül a tárolónál földelő kábelrel vannak rákötve a fő földelősinre.
- ▶ Ezenkívül bizonyosodjon meg arról, hogy a fűtőpatron földelőkapcsolai is rá vannak kötve a fő földelősinre.

Az elektromos telepítést csak elektromos szakember végezheti.

A fűtőpatron csak vízszintesen szerelhető. Függőleges beszerelés nem megengedett.

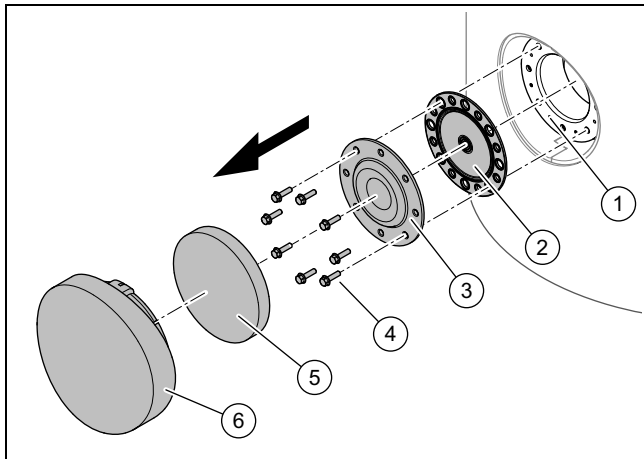
Az elektromos csatlakoztatáshoz olyan hálózati csatlakozókábelt használjon, amely 80 °C hőmérsékletre engedélyezett.

A fűtőpatron üzembe helyezése előtt bizonyosodjon meg arról, hogy a melegvíztároló fel van töltve.

A fűtőpatron több éven keresztül tartó működőképességének megőrzéséhez a friss víz következő minőségi értékei javasoltak: klórtartalom: < 120 mg/l, vízkeménység: < 2,4965 mmol/l (< 14°dH; < 24,987°fH; < 140 mg CaCO<sub>3</sub>/l; < 249,87 mg CaCO<sub>3</sub>/l; < 249,87 ppm (mg CaCO<sub>3</sub>/l)). Nagyobb vízkeménység esetén vízlágyító berendezés alkalmazása ajánlott!

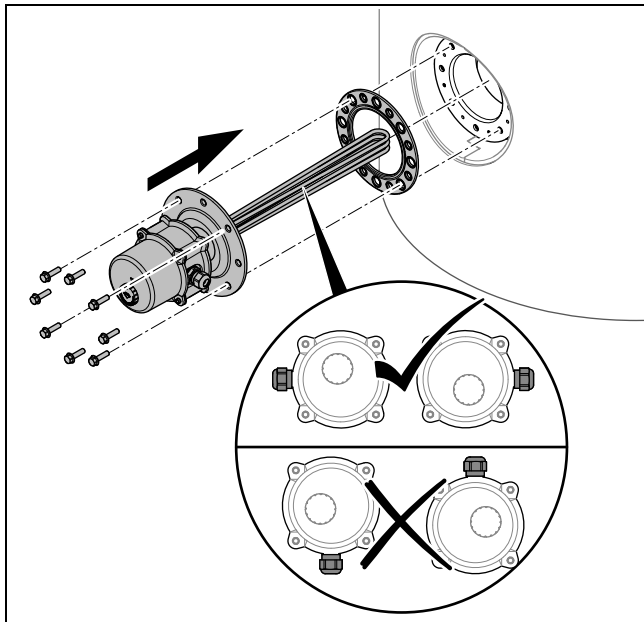
## 5 Telepítés

### 5.1 Az ellenőrzőnyílás leszerelése



1. Adott esetben kapcsolja feszültségmentesre a melegvíztárolót.
2. Ürítse ki a melegvíztárolót.
3. Távolítsa el az (5) és (6) szigetelőelemeket.
4. Szerelje le a csavarokat (4), amelyek a fedelet (3) rögzítik az ellenőrzőnyíláson (1).
5. Vegye le a fedelet és a tömitést (2).

### 5.2 Fűtőpatron felszerelése



1. A mellékelt új tömitést használja az ellenőrzőnyíláshoz.



#### Veszély!

Anyagi kár kockázata a menet túlhúzása miatt

A csökkentőkarima meghatározott nyomatékkal van előszerelve a fűtőpatron menetére, úgy hogy a furat lyukképe és a fűtőpatronok ideális helyzetben vannak egymáshoz képest. Ha a csökkentőkarimát tovább húzza a fűtőpatron meneten, a menet megsérülhet.

- ▶ A fűtőpatront a szállított állapotban szerelje fel az előszerelt csökkentőkarimával.

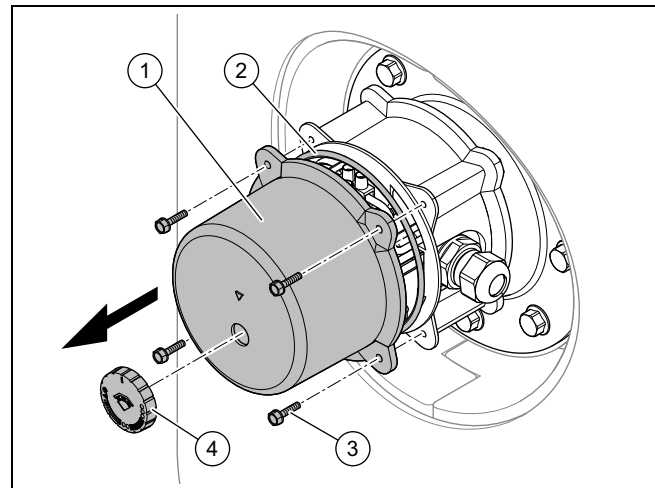
2. Szerelje fel a fűtőpatront az ábra szerint.
3. Keresztben erősen húzza meg a csavarokat a csökkentőkarimánál.

### 5.3 Az áramellátás bekötése

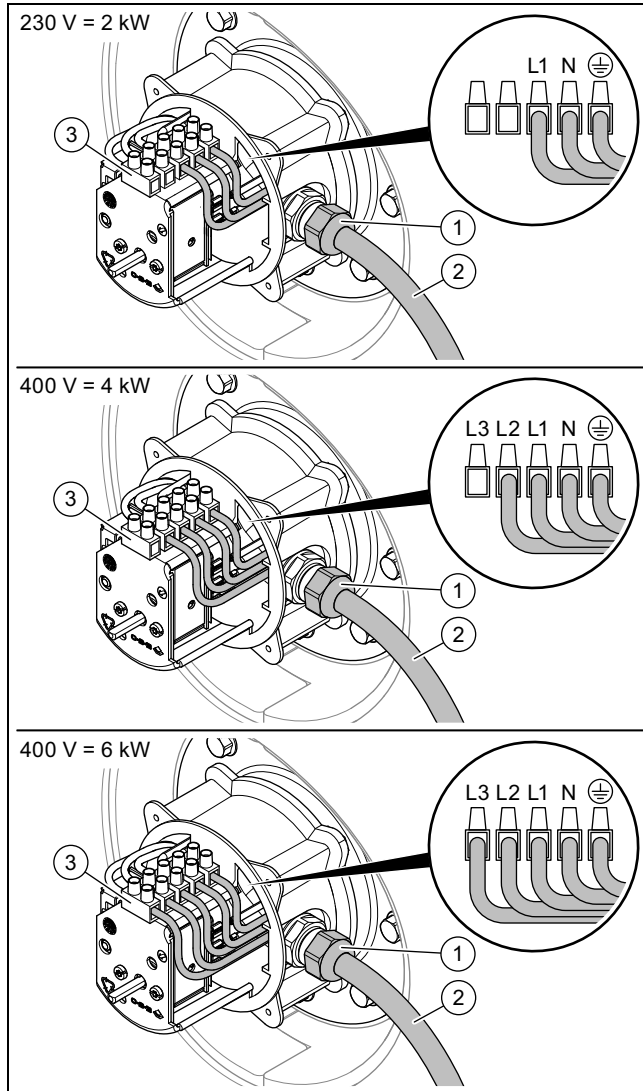
A külső hálózati csatlakozókábelnek földeltnek kell lennie, valamint helyes polaritással és a hatályos előírásoknak megfelelően bekötve.

- ▶ Fix vezetékkel összekötött hálózati csatlakozáshoz szereljen be a hálózatról történő összpólusú leválasztás céljára egy pólusonként legalább 3 mm érintkezőnyitású leválasztó készüléket (pl. biztosíték vagy megszakító).

### 5.4 Elektromos szerelés



1. Húzza le a forgatógombot (4) az állítható szabályozóról.
2. Szerelje le a négy hatlapfejű csavart (3).
3. Húzza le a csatlakozóházat (1) és a tömitést (2).

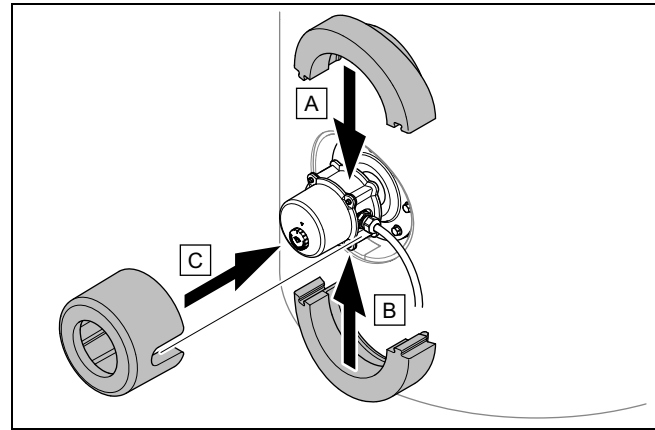


4. Vezesse be a kábelt **(2)** a hálózati csatlakozás nyílásán keresztül a házba, és rögzítse a PG csavarkötéssel **(1)**.
  - Ajánlott meghúzási nyomaték:  $\leq 6,0$  Nm
5. Csatlakoztassa az ereket a kapocsléchez **(3)**.
6. Helyezze fel a tömitést és a csatlakozóházat, és szerelje be a négy hatlapfejű csavart.
- Ajánlott meghúzási nyomaték:  $\leq 1,9$  Nm
7. Dugja a forgatógombot az állítható szabályozóra.

## 6 Üzembe helyezés

### 6.1 Fűtőpatron üzembe helyezése

1. Töltse fel a melegvíztárolót.
2. Ellenőrizze az ellenőrzőnyílás tömitettségét.



3. Szerelje fel a szigetelőelemeket.
4. Kapcsolja be az áramellátást.
5. Az állítókerék segítségével állítsa be a fűtőpatron kívánt felfűtési hőmérsékletét.

## 7 Zavarelhárítás

### 7.1 A biztonsági hőmérséklet-határoló működése

Amennyiben a tárolóban  $95\text{ }^{\circ}\text{C}$  fölé emelkedik a víz hőmérséklet, a biztonsági hőmérséklet-határoló (STB) kikapcsolja a fűtőpatron feszültségellátását.

### 7.2 Biztonsági hőmérséklet-határoló kireteszelése bekapcsolás után



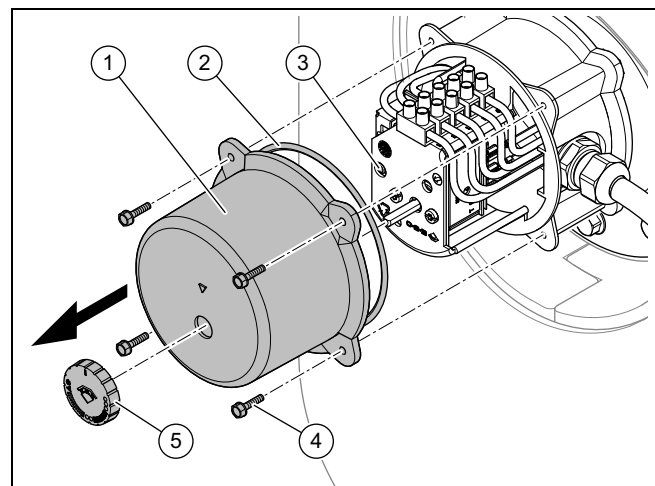
#### Vigyázat!

#### Anyagi kár kockázata túlhevülés miatt!

Ha a termék kikapcsolásához vezető hibát nem javítja ki, a termék károsodhat.

- Csak akkor kapcsolja be újra a biztonsági hőmérséklet-határolót, ha a biztonsági hőmérséklet-határoló kiváltódásához vezető hibaokot megszüntette.

1. Kapcsolja ki az áramellátást.
2. Szerelje le a szigetelőelemeket a fűtőpatronról.



3. Húzza le a forgatógombot **(5)** az állítható szabályozóról.
4. Szerelje le a négy hatlapfejű csavart **(4)**.

## 8 Üzemen kívül helyezés

- Húzza le a csatlakozóházat (1) és a tömítést (2).
- Nyomja be a biztonsági hőmérséklet-határoló kireteszelőgombját (3).
- Helyezze fel a tömítést és a csatlakozóházat, és szerelje be a négy hatlapfejű csavart.
- Dugja a forgatógombot az állítható szabályozóra.
- Szerelje fel a szigetelőelemeket.
- Kapcsolja be az áramellátást.

## 8 Üzemen kívül helyezés

### 8.1 A termék üzemen kívül helyezése

- Kapcsolja le a fűtőpatron áramellátását.
- Válassza le az áramellátást.
- Üritse ki a melegvíztárolót.
- Szerelje le a fűtőpatronokat.
- Szerelje fel a tömítést és az ellenőrzőnyílás fedelét.
- Szerelje fel az ellenőrzőnyílás burkolatát.

### 8.2 Újrahasznosítás és ártalmatlanítás

#### A csomagolás ártalmatlanítása

- A csomagolást előírászerűen ártalmatlanítsa.
- Tartson be minden erre vonatkozó előírást.

## 9 Vevőszolgálat

### 9.1 Vevőszolgálat

Vevőszolgálatunk elérhetőségeit a mellékletben vagy weboldalunkon találja.

## 10 Műszaki adatok

	Fűtőpatron 2–6 kW
Névleges teljesítmény	2; 4; 6 kW
Megengedett környezeti hőmérséklet az üzemeltetés közben	0 ... 40 °C
Megengedett páratartalom %-ban	< 75 (hosszú távú tárolás); < 93 (a szállítás során)
Az ivóvíz ajánlott maximális vízke-ménysége	≤ 14 °dH
Hőmérséklet beállítási tartomány	28 ... 70 °C
Víztároló megengedett hőmérséklet	7 ... 85 °C
Melegvíz üzemi hőmérséklet	65 °C
Ivóvíz max. tároló-hőmérséklet	≤ 95 °C
Az ivóvíz maximális üzemi nyomása	≤ 1 MPa (≤ 10 bar)
Száraz üzemelés termikus kikapcsolási védelem	95 °C <sup>+8 K</sup>
Min. fagyvédelmi hőmérséklet	≥ 7 °C
Fűtőpatronfej max. hőmérséklet	≤ 95 °C
Fűtőpatron felület max. hőmérséklet	≤ 150 °C
Egységnyi felületre eső maximális teljesítmény	max. 14,1 W/cm <sup>2</sup>

	Fűtőpatron 2–6 kW
Bevezetési hossz (bemerülési mélység)	450 mm
Bevezetési átmérő	≈ 36,5 mm
Fűtőpatron átmérő	6,5 mm
A fűtőpatronok anyaga	2.4858 / Incoloy 825
A fűtőpatronfej anyaga	1.4404
Fűtőpatronfej laptávolság	60 mm kulcsnyílás
Csatlakozómenet	G 1 1/2 B col
A fűtőpatronfej ajánlott meghúzási nyomatéka	90 ... 100 Nm
Fűtőpatronfej hossz	≈ 160 mm
A csatlakozóház anyaga	PA6 GF30
Fűtőpatronfej nettó tömeg	1,36 kg
Áramellátás	1 N PE ~230 V AC/50 Hz 1 x 16 A; 3 N PE ~400 V AC/50 Hz 3 x 16 A
Védettség	IP54 (DIN EN 60529)
Elektromos érintésvédelmi osztály	I
Tűlfeszültség-kategória	II



# 1 Sicurezza

## 1 Sicurezza

### 1.1 Indicazioni di avvertenza relative all'uso

#### Classificazione delle avvertenze relative ad un'azione

Le avvertenze relative alle azioni sono differenziate in base alla gravità del possibile pericolo con i segnali di pericolo e le parole chiave seguenti:

#### Segnali di pericolo e parole convenzionali



##### **Pericolo!**

Pericolo di morte immediato o pericolo di gravi lesioni personali



##### **Pericolo!**

Pericolo di morte per folgorazione



##### **Avvertenza!**

Pericolo di lesioni lievi



##### **Precauzione!**

Rischio di danni materiali o ambientali

### 1.2 Uso previsto

Con un uso improprio, possono insorgere pericoli per l'incolumità dell'utilizzatore o di terzi o anche danni al prodotto e ad altri oggetti.

Il riscaldatore elettrico a immersione serve a riscaldare l'elemento di emergenza del bollitore ad accumulo VIH R 300 - 500 e VIH S 300 - 500. Tale elemento è previsto principalmente come riscaldamento supplementare.

L'uso previsto comprende:

- Il rispetto delle istruzioni per l'uso del prodotto e di tutti gli altri componenti dell'impianto in allegato
- Il rispetto di tutti i requisiti di ispezione e manutenzione riportate nei manuali.

Questo prodotto può essere utilizzato da bambini di età pari e superiore agli 8 anni e da persone con ridotte capacità fisiche, sensoriali o mentali o senza esperienza e conoscenza a patto che vengano sorvegliati o istruiti sull'utilizzo del prodotto in sicurezza e che capiscano i pericoli connessi all'utilizzo del prodotto. I bambini non devono giocare con il prodotto. La pulizia e la manutenzione effettuabile dall'utente non vanno eseguite da bambini senza sorveglianza.

Qualsiasi utilizzo diverso da quello descritto nel presente manuale o un utilizzo che vada oltre quanto sopra descritto è da considerarsi improprio. È improprio anche qualsiasi utilizzo commerciale e industriale diretto.

#### **Attenzione!**

Ogni impiego improprio non è ammesso.

### 1.3 Avvertenze di sicurezza generali

#### 1.3.1 Pericolo a causa di un utilizzo errato

A seguito di un comando errato è possibile mettere a rischio se stessi e altre persone e causare danni materiali.

- ▶ Leggere attentamente queste istruzioni e tutta la documentazione complementare, in particolare il capitolo "Sicurezza" e le avvertenze.
- ▶ Eseguire le attività spiegate nelle presenti istruzioni per l'uso.

#### 1.3.2 Rischio di un danno materiale causato dal gelo

- ▶ Assicurarsi che in caso di rischi di gelo l'impianto di riscaldamento rimanga sempre in funzione e che tutti gli ambienti siano sufficientemente riscaldati.
- ▶ Nel caso in cui non si possa garantire il funzionamento, far svuotare l'impianto di riscaldamento da un tecnico qualificato.

#### 1.3.3 Pericolo di morte a causa delle modifiche al prodotto o nell'ambiente in cui è installato

- ▶ Non rimuovere, bypassare né bloccare mai i dispositivi di sicurezza.
- ▶ Non manomettere i dispositivi di sicurezza.
- ▶ Non rimuovere o distruggere alcun sigillo applicato ai componenti.
- ▶ Non apportare modifiche:
  - al prodotto
  - alle linee di acqua e corrente
  - alla valvola di sicurezza
  - alle tubazioni di scarico
  - agli elementi costruttivi che possono influire sulla sicurezza operativa del prodotto

## Istruzioni per l'uso

### Indice

<b>1</b>	<b>Sicurezza .....</b>	<b>88</b>
1.1	Indicazioni di avvertenza relative all'uso.....	88
1.2	Uso previsto.....	88
1.3	Avvertenze di sicurezza generali .....	88
1.4	Norme (direttive, leggi, prescrizioni) .....	89
<b>2</b>	<b>Avvertenze sulla documentazione .....</b>	<b>90</b>
2.1	Osservanza della documentazione complementare .....	90
2.2	Conservazione della documentazione.....	90
2.3	Validità delle istruzioni .....	90
<b>3</b>	<b>Descrizione del prodotto.....</b>	<b>90</b>
3.1	Struttura del prodotto .....	90
3.2	Marcatura CE.....	90
<b>4</b>	<b>Funzionamento .....</b>	<b>90</b>
4.1	Panoramica funzioni dispositivo di regolazione .....	90
<b>5</b>	<b>Soluzione dei problemi .....</b>	<b>91</b>
5.1	Riconoscimento e soluzione dei problemi .....	91
<b>6</b>	<b>Cura e manutenzione .....</b>	<b>91</b>
6.1	Cura del prodotto .....	91
<b>7</b>	<b>Messa fuori servizio .....</b>	<b>91</b>
7.1	Disattivazione temporanea del prodotto .....	91
7.2	Disattivazione definitiva del prodotto .....	91
7.3	Riciclaggio e smaltimento .....	91
<b>8</b>	<b>Garanzia e servizio assistenza tecnica .....</b>	<b>91</b>
8.1	Garanzia .....	91
8.2	Servizio assistenza tecnica .....	91

### **1.3.4 Rischio di lesioni e danni materiali se la manutenzione e la riparazione non vengono effettuate o vengono effettuate in modo inadeguato**

- ▶ Non tentare mai di eseguire di propria iniziativa lavori di manutenzione o interventi di riparazione del prodotto.
- ▶ Far eliminare immediatamente i guasti e i danni da un tecnico qualificato.
- ▶ Rispettare gli intervalli di manutenzione prescritti.

### **1.4 Norme (direttive, leggi, prescrizioni)**

- ▶ Attenersi alle norme, prescrizioni, direttive e leggi nazionali vigenti.

## 2 Avvertenze sulla documentazione

### 2 Avvertenze sulla documentazione

#### 2.1 Osservanza della documentazione complementare

- ▶ Attenersi tassativamente a tutti i manuali di servizio allegati ai componenti dell'impianto.

#### 2.2 Conservazione della documentazione

- ▶ Conservare il presente manuale e tutti altri documenti validi per l'ulteriore uso.

#### 2.3 Validità delle istruzioni

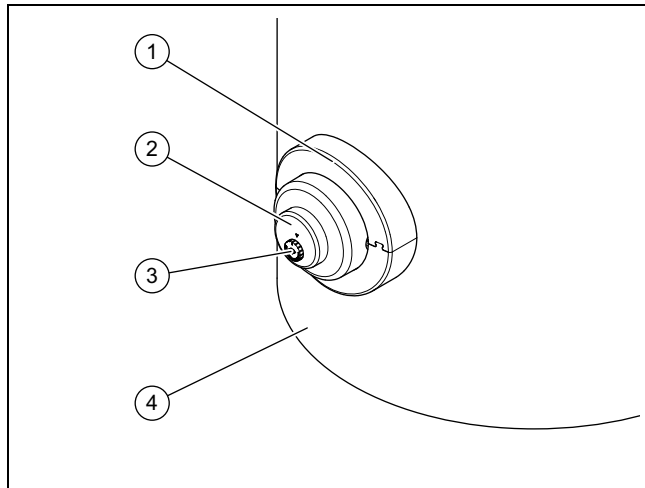
Le presenti istruzioni valgono esclusivamente per:

#### Codice di articolo del prodotto

Riscaldatore elettrico a immersione	0020230734
-------------------------------------	------------

## 3 Descrizione del prodotto

### 3.1 Struttura del prodotto



- |   |   |
|---|---|
| 1 Targhetta di identificazione (sotto la copertura) | 3 Dispositivo di regolazione della temperatura dell'acqua calda sanitaria |
| 2 Riscaldatore elettrico a immersione               | 4 Bollitore   |

### 3.2 Marcatura CE



Con la codifica CE viene certificato che i prodotti con i dati riportati sulla targhetta del modello soddisfano i requisiti fondamentali delle direttive pertinenti in vigore.

La dichiarazione di conformità può essere richiesta al produttore.

## 4 Funzionamento

### 4.1 Panoramica funzioni dispositivo di regolazione

Posizione dispositivo di regolazione	Funzione
	OFF
	Protezione antigelo
	Temperatura dell'acqua circa 40 °C
	Temperatura dell'acqua circa 60 °C
	Temperatura dell'acqua circa 70 °C
	Funzionamento normale Temperatura dell'acqua circa 65 °C

### 5 Soluzione dei problemi

#### 5.1 Riconoscimento e soluzione dei problemi

**Condizioni:** La temperatura dell'acqua calda sanitaria non raggiunge quella impostata

- Probab. è scattato il limitatore della temperatura di sicurezza. Avvisare un tecnico qualificato.

### 6 Cura e manutenzione

#### 6.1 Cura del prodotto



##### **Precauzione!**

##### **Rischio di un danno materiale causato da un detergente non adatto!**

- Non utilizzare spray, sostanze abrasive, detersivi, solventi o detersivi che contengano cloro.

- Pulire il rivestimento con un panno umido ed un po' di sapone privo di solventi.

### 7 Messa fuori servizio

#### 7.1 Disattivazione temporanea del prodotto

1. Posizionare il dispositivo di regolazione su "OFF".
2. Sincerarsi che sia garantita sufficiente protezione anti-gelo.

#### 7.2 Disattivazione definitiva del prodotto

- Far disattivare il prodotto in modo definitivo da un tecnico qualificato e riconosciuto.

#### 7.3 Riciclaggio e smaltimento



Se il prodotto è contrassegnato con questo simbolo:

- In questo caso non smaltire il prodotto con i rifiuti domestici.
- Conferire invece il prodotto in un punto di raccolta per apparecchi elettrici o elettronici usati.



Se il prodotto è munito di batterie contrassegnate con questo simbolo, è possibile che le batterie contengano sostanze dannose per la salute e per l'ambiente.

- In questo caso smaltire le batterie in un punto di raccolta per batterie usate.

### 8 Garanzia e servizio assistenza tecnica

#### 8.1 Garanzia

Per informazioni sulla Garanzia del produttore contattare l'indirizzo di contatto riportato nell'appendice .

#### 8.2 Servizio assistenza tecnica

I dati di contatto del nostro servizio assistenza tecnica sono riportati nell'appendice o nel nostro sito web.

# Indice

## Istruzioni per l'installazione

### Indice

<b>1</b>	<b>Sicurezza .....</b>	<b>93</b>
1.1	Indicazioni di avvertenza relative all'uso.....	93
1.2	Usò previsto.....	93
1.3	Avvertenze di sicurezza generali.....	93
1.4	Norme (direttive, leggi, prescrizioni).....	94
<b>2</b>	<b>Avvertenze sulla documentazione .....</b>	<b>95</b>
2.1	Osservanza della documentazione complementare.....	95
2.2	Conservazione della documentazione.....	95
2.3	Validità delle istruzioni .....	95
<b>3</b>	<b>Descrizione del prodotto.....</b>	<b>95</b>
3.1	Struttura del prodotto .....	95
3.2	Marcatura CE.....	95
<b>4</b>	<b>Montaggio.....</b>	<b>95</b>
4.1	Controllo della fornitura.....	95
<b>5</b>	<b>Installazione .....</b>	<b>95</b>
5.1	Smontaggio dell'apertura per ispezione .....	96
5.2	Montaggio della resistenza elettrica a immersione .....	96
5.3	Realizzazione dell'alimentazione di corrente.....	96
5.4	Installazione elettrica .....	96
<b>6</b>	<b>Messa in servizio .....</b>	<b>97</b>
6.1	Messa in funzione della resistenza elettrica a immersione .....	97
<b>7</b>	<b>Soluzione dei problemi .....</b>	<b>97</b>
7.1	Funzione del limitatore di temperatura di sicurezza.....	97
7.2	Sbloccaggio del limitatore di temperatura di sicurezza dopo il disinserimento.....	97
<b>8</b>	<b>Messa fuori servizio .....</b>	<b>98</b>
8.1	Disattivazione del prodotto .....	98
8.2	Riciclaggio e smaltimento .....	98
<b>9</b>	<b>Servizio assistenza tecnica .....</b>	<b>98</b>
9.1	Servizio assistenza tecnica .....	98
<b>10</b>	<b>Dati tecnici.....</b>	<b>98</b>

## 1 Sicurezza

### 1.1 Indicazioni di avvertenza relative all'uso

#### Classificazione delle avvertenze relative ad un'azione

Le avvertenze relative alle azioni sono differenziate in base alla gravità del possibile pericolo con i segnali di pericolo e le parole chiave seguenti:

#### Segnali di pericolo e parole convenzionali



##### **Pericolo!**

Pericolo di morte immediato o pericolo di gravi lesioni personali



##### **Pericolo!**

Pericolo di morte per folgorazione



##### **Avvertenza!**

Pericolo di lesioni lievi



##### **Precauzione!**

Rischio di danni materiali o ambientali

### 1.2 Uso previsto

Con un uso improprio, possono insorgere pericoli per l'incolumità dell'utilizzatore o di terzi o anche danni al prodotto e ad altri oggetti.

Il riscaldatore elettrico a immersione serve a riscaldare l'elemento di emergenza del bollitore ad accumulo VIH R 300 - 500 e VIH S 300 - 500. Tale elemento è previsto principalmente come riscaldamento supplementare.

L'uso previsto comprende:

- Il rispetto delle istruzioni per l'uso, l'installazione e la manutenzione del prodotto e di tutti gli altri componenti dell'impianto
- L'installazione e il montaggio nel rispetto dell'omologazione dei prodotti e del sistema
- Il rispetto di tutti i requisiti di ispezione e manutenzione riportate nei manuali.

L'uso previsto comprende inoltre l'installazione secondo la classe IP.

Qualsiasi utilizzo diverso da quello descritto nel presente manuale o un utilizzo che vada oltre quanto sopra descritto è da considerarsi improprio. È improprio anche qualsiasi utilizzo commerciale e industriale diretto.

### Attenzione!

Ogni impiego improprio non è ammesso.

### 1.3 Avvertenze di sicurezza generali

#### 1.3.1 Pericolo a causa di una qualifica insufficiente

**Validità:** Non per la Russia

I seguenti interventi possono essere eseguiti solo da tecnici qualificati con le necessarie competenze:

**Validità:** Russia

I seguenti interventi possono essere eseguiti solo da Vaillant tecnici qualificati dotati di certificazione e con le necessarie competenze:

- Montaggio
- Smontaggio
- Installazione
- Messa in servizio
- Ispezione e manutenzione
- Riparazione
- Messa fuori servizio
- ▶ Rispettare tutte le istruzioni consegnate con il prodotto.
- ▶ Procedere conformemente allo stato dell'arte.
- ▶ Rispettare tutte le direttive, leggi, norme e altre disposizioni pertinenti.

#### 1.3.2 Pericolo di morte per folgorazione

Se si toccano componenti sotto tensione, c'è pericolo di morte per folgorazione.

Prima di eseguire lavori sul prodotto:

- ▶ Staccare il prodotto dalla tensione disattivando tutte le linee di alimentazione di corrente su tutti i poli (dispositivo di separazione elettrico con un'apertura di contatti di almeno 3 mm, ad esempio fusibile o interruttore automatico).
- ▶ Assicurarsi che non possa essere reinserito.
- ▶ Verificare l'assenza di tensione.

#### 1.3.3 Rischio di un danno materiale causato dal gelo

- ▶ Installare il prodotto solo in ambienti non soggetti a gelo.

## 1 Sicurezza

### 1.3.4 Pericolo di ustioni o scottature a causa di parti surriscaldate

- ▶ Lavorare su tali componenti solo una volta che si sono raffreddati.

### 1.3.5 Rischio di danni materiali a causa dell'uso di un attrezzo non adatto

- ▶ Per serrare o allentare i collegamenti a vite, utilizzare un attrezzo adatto.

### 1.3.6 Pericolo di morte a causa della mancanza di dispositivi di sicurezza

Gli schemi contenuti in questo documento non mostrano tutti i dispositivi di sicurezza necessari ad una installazione a regola d'arte.

- ▶ Installare nell'impianto i dispositivi di sicurezza necessari.
- ▶ Rispettare le leggi, le norme e le direttive pertinenti nazionali e internazionali.

## 1.4 Norme (direttive, leggi, prescrizioni)

- ▶ Attenersi alle norme, prescrizioni, direttive e leggi nazionali vigenti.



## 2 Avvertenze sulla documentazione

### 2.1 Osservanza della documentazione complementare

- ▶ Attenersi tassativamente a tutti i manuali di servizio e installazione allegati agli altri componenti dell'impianto.

### 2.2 Conservazione della documentazione

- ▶ Consegnare il presente manuale e tutta la documentazione complementare all'utilizzatore dell'impianto.

### 2.3 Validità delle istruzioni

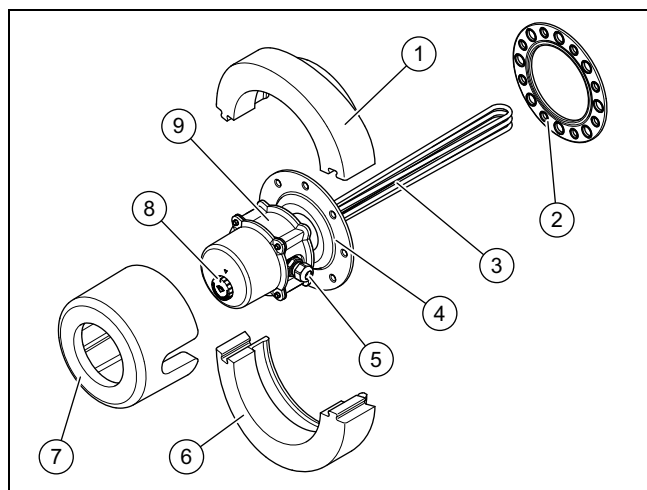
Le presenti istruzioni valgono esclusivamente per:

#### Codice di articolo del prodotto

Riscaldatore elettrico a immersione	0020230734
-------------------------------------	------------

## 3 Descrizione del prodotto

### 3.1 Struttura del prodotto



- |   |   |   |   |
|---|---|---|---|
| 1 | Elemento isolante semianello superiore  | 5 | Collegamento a vite PG per raccordo elettrico       |
| 2 | Guarnizione apertura per ispezione  | 6 | Elemento isolante semianello inferiore              |
| 3 | Resistenza elettrica a immersione   | 7 | Guaina isolante testa della resistenza a immersione |
| 4 | Flangia di riduzione, premontata con la guarnizione di collegamento con la testa della vite | 8 | Dispositivo di regolazione                          |
|   |   | 9 | Targhetta del modello                               |

### 3.2 Marcatura CE



Con la codifica CE viene certificato che i prodotti con i dati riportati sulla targhetta del modello soddisfano i requisiti fondamentali delle direttive pertinenti in vigore.

La dichiarazione di conformità può essere richiesta al produttore.

## 4 Montaggio

### 4.1 Controllo della fornitura

- ▶ Verificare che la fornitura sia completa e intatta.

Quantità	Denominazione
1	Riscaldatore elettrico a immersione
1	Flangia di riduzione
1	Guarnizione apertura per ispezione
1	Istruzioni per l'uso e l'installazione

## 5 Installazione



### Precauzione!

#### Rischio di danneggiamento dovuto a corrosione e cortocircuito per la mancanza della messa a terra

Se nel bollitore si usa un riscaldatore elettrico a immersione, per la presenza di una tensione esterna può generarsi nell'acqua un potenziale elettrico in grado di causare una corrosione elettrochimica del riscaldatore elettrico a immersione.

- ▶ Verificare che sia i tubi dell'acqua calda che quelli dell'acqua fredda siano collegati al conduttore di terra direttamente presso il bollitore tramite una canalina di messa a terra principale.
- ▶ Verificare inoltre che tramite il morsetto di messa a terra anche il riscaldatore elettrico a immersione sia collegato alla canalina di messa a terra principale.

L'impianto elettrico deve essere eseguito esclusivamente da un tecnico elettricista.

La resistenza elettrica a immersione può essere montata solo orizzontalmente. Non è ammesso un montaggio in verticale.

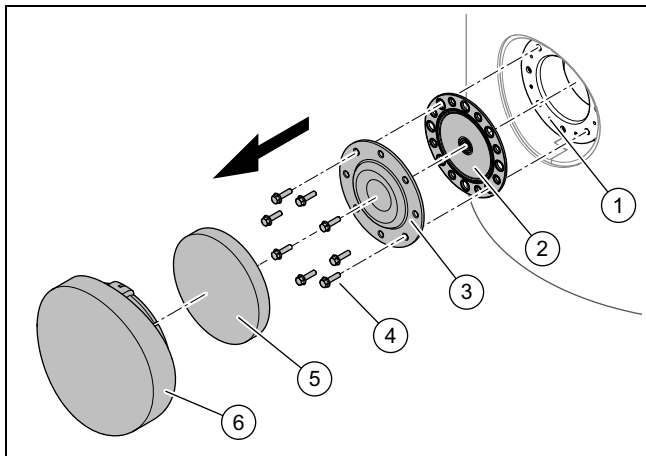
Per il collegamento elettrico utilizzare un cavo di allacciamento alla rete elettrica, approvato per una temperatura di 80 °C.

Sincerarsi che il bollitore ad accumulo sia pieno prima di mettere in funzione la resistenza elettrica a immersione.

Per assicurare la funzionalità a lungo termine della resistenza elettrica a immersione si raccomanda la seguente qualità minima dell'acqua potabile: contenuto di cloro < 120 mg/l, durezza dell'acqua < 2,4965 mmol/l (< 14°dH; < 24,987°fH; < 140 mg CaCO<sub>3</sub>/l; < 249,87 mg CaCO<sub>3</sub>/l; < 249,87 ppm (mg CaCO<sub>3</sub>/l)). In presenza di durezza dell'acqua più elevate si consiglia l'impiego di un addolcitore!

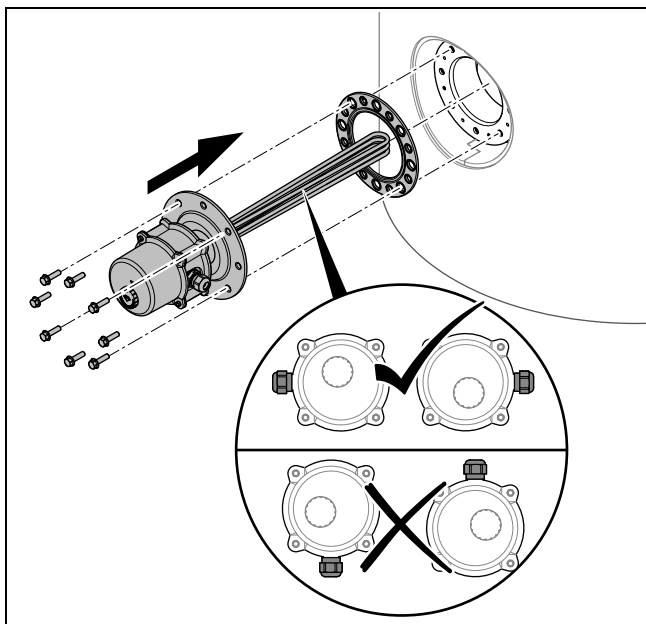
## 5 Installazione

### 5.1 Smontaggio dell'apertura per ispezione



1. Togliere event. tensione al bollitore ad accumulo.
2. Svuotare il boiler ad accumulo.
3. Togliere gli elementi isolanti (5) e (6).
4. Smontare le viti (4) per il fissaggio del coperchio (3) dell'apertura per ispezione (1).
5. Rimuovere il coperchio e la guarnizione (2).

### 5.2 Montaggio della resistenza elettrica a immersione



1. Utilizzare la guarnizione nuova fornita in dotazione per l'apertura per ispezione.



#### Pericolo!

#### Rischio di un danno materiale dovuto al serraggio eccessivo della filettatura

La flangia di riduzione è stata premontata ad una determinata coppia sulla filettatura della resistenza elettrica a immersione in modo che lo schema di foratura e le resistenze elettriche a immersione siano posizionate perfettamente in senso reciproco. Se si continua a serrare la flangia di riduzione sulla filettatura della resistenza elettrica a immersione, si rischia di danneggiarla.

- Montare la resistenza elettrica a immersione con la flangia di riduzione premontata così come viene fornita.

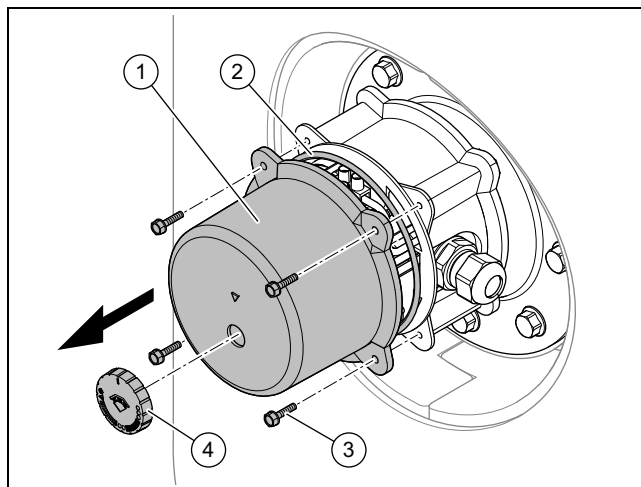
2. Montare la resistenza elettrica a immersione come illustrato in figura.
3. Serrare le viti con interventi a croce sulla flangia di riduzione.

### 5.3 Realizzazione dell'alimentazione di corrente

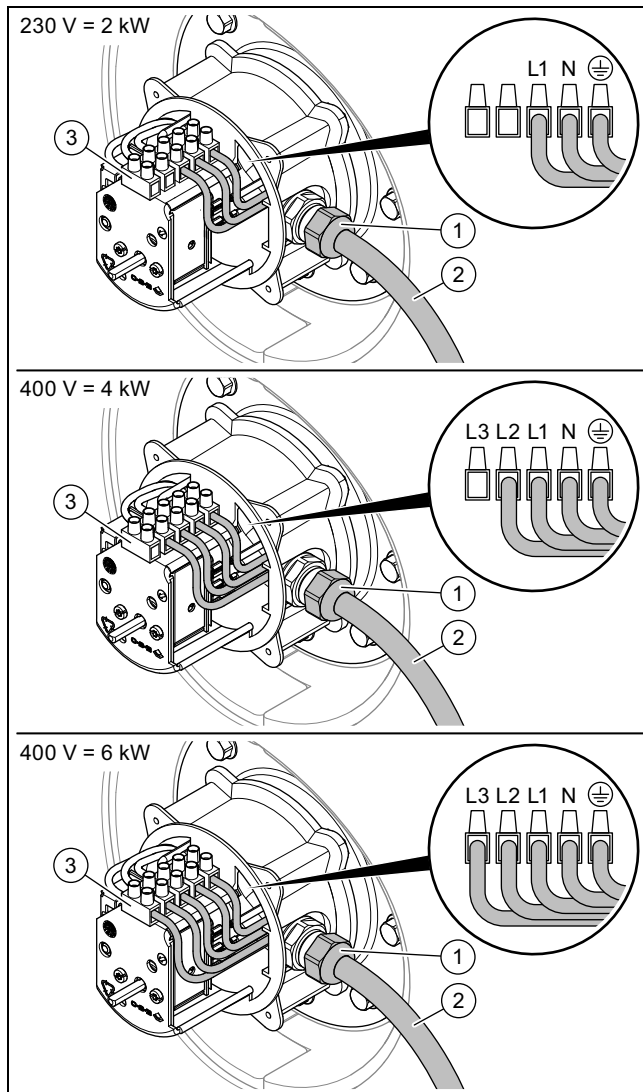
Il cavo di allacciamento alla rete esterno deve essere messo a terra e collegato con la corretta polarità e nel rispetto delle prescrizioni in vigore.

- Installare per l'allacciamento alla rete elettrica fisso un dispositivo di separazione onnipolare di rete con una ampiezza di apertura del contatto di almeno 3 mm per ogni polo (ad es. fusibili o interruttori di potenza).

### 5.4 Installazione elettrica



1. Rimuovere il pulsante (4) dal dispositivo di regolazione.
2. Smontare le quattro viti a testa esagonale (3).
3. Estrarre la scatola di raccordo (1) e la guarnizione (2).

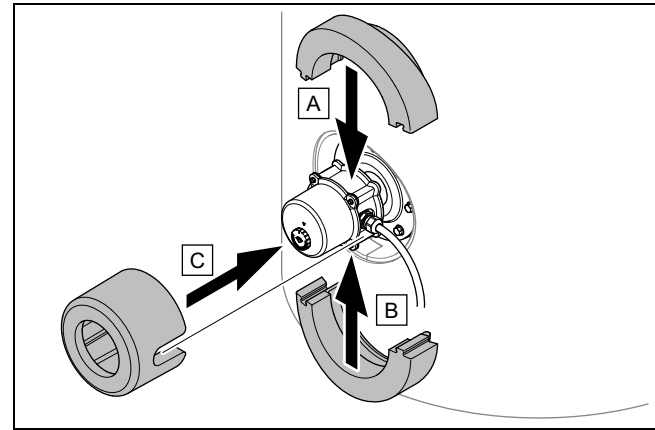


4. Inserire il cavo (2) attraverso il foro di allacciamento alla rete nella scatola e fissarlo con il collegamento a vite PG (1).
  - Coppia di serraggio raccomandata:  $\leq 6,0$  Nm
5. Collegare i fili alla morsettiera (3).
6. Innestare la guarnizione e la scatola di raccordo e montare le quattro viti a testa esagonale.
  - Coppia di serraggio raccomandata:  $\leq 1,9$  Nm
7. Applicare la manopola sul dispositivo di regolazione.

## 6 Messa in servizio

### 6.1 Messa in funzione della resistenza elettrica a immersione

1. Riempire il bollitore ad accumulo.
2. Controllare la tenuta dell'apertura per ispezione.



3. Montare gli elementi isolanti.
4. Inserire la tensione di alimentazione.
5. Con la rotella di regolazione impostare la temperatura a cui si intende riscaldare la resistenza elettrica a immersione.

## 7 Soluzione dei problemi

### 7.1 Funzione del limitatore di temperatura di sicurezza

Se la temperatura dell'acqua nel bollitore sale oltre i 95 °C, il limitatore della temperatura di sicurezza (STB) sul riscaldatore elettrico a immersione disinserisce l'alimentazione elettrica.

### 7.2 Sbloccaggio del limitatore di temperatura di sicurezza dopo il disinserimento



#### Precauzione!

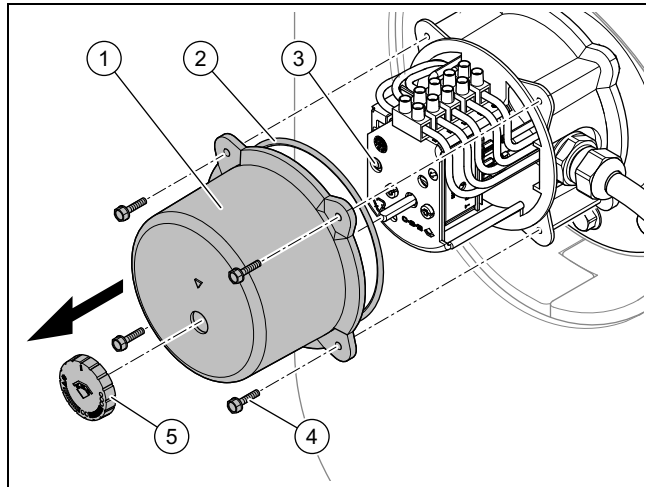
#### Rischio di un danno materiale dovuto a surriscaldamento!

Se l'errore che ha portato al disinserimento del prodotto non viene eliminato, si rischia di danneggiare il prodotto.

- Riattivare il limitatore di temperatura di sicurezza solo una volta eliminata la causa dell'errore che lo ha fatto scattare.

1. Disinserire la tensione di alimentazione.
2. Smontare gli elementi isolanti dalla resistenza elettrica a immersione.

## 8 Messa fuori servizio



3. Rimuovere il pulsante (5) dal dispositivo di regolazione.
4. Smontare le quattro viti a testa esagonale (4).
5. Rimuovere il mantello dell'allacciamento (1) e la guarnizione (2).
6. Premere il tasto di sbloccaggio del limitatore della temperatura di sicurezza(3).
7. Innestare la guarnizione e la scatola di raccordo e montare le quattro viti a testa esagonale.
8. Applicare la manopola sul dispositivo di regolazione.
9. Montare gli elementi isolanti.
10. Inserire la tensione di alimentazione.

## 8 Messa fuori servizio

### 8.1 Disattivazione del prodotto

1. Disinserire la tensione di alimentazione della resistenza elettrica a immersione.
2. Scollegare l'alimentazione.
3. Svuotare il boiler ad accumulo.
4. Smontare la resistenza elettrica a immersione.
5. Montare la guarnizione ed il coperchio dell'apertura per ispezione.
6. Montare la copertura dell'apertura per ispezione.

### 8.2 Riciclaggio e smaltimento

#### Smaltimento dell'imballo

- ▶ Smaltire gli imballi correttamente.
- ▶ Osservare tutte le norme vigenti.

## 9 Servizio assistenza tecnica

### 9.1 Servizio assistenza tecnica

I dati di contatto del nostro servizio assistenza tecnica sono riportati nell'appendice o nel nostro sito web.

## 10 Dati tecnici

	Resistenza elettrica a immersione 2 - 6 kW
Potenza in uscita nominale	2; 4; 6 kW
Temperatura ambiente ammessa in esercizio	0 ... 40 °C
Umidità dell'aria ammessa in %	< 75 (conservazione per un lungo periodo di tempo); < 93 (durante il trasporto)
Durezza max raccomandata dell'acqua sanitaria	≤ 14 °dH
Intervallo di regolazione della temperatura	28 ... 70 °C
Temperatura ammessa accumulo acqua	7 ... 85 °C
Temperatura di esercizio acqua calda sanitaria	65 °C
Temperatura max del bollitore acqua sanitaria	≤ 95 °C
Pressione di esercizio max. acqua sanitaria	≤ 1 MPa (≤ 10 bar)
Protezione termica contro il disinserimento funzionamento a secco	95 °C <sup>+8 K</sup>
Temperatura min. protezione anti-gelo	≥ 7 °C
Temperatura max testa resistenza ad immersione	≤ 95 °C
Temperatura max superficie resistenza elettrica ad immersione	≤ 150 °C
Resa superficiale max	max. 14,1 W/cm <sup>3</sup>
Lunghezza di inserimento (profondità di immersione)	450 mm
Diametro di inserimento	≈ 36,5 mm
Diametro resistenza a immersione	6,5 mm
Materiale delle resistenze elettriche a immersione	2.4858 / Incoloy 825
Materiale della testa delle resistenze elettriche a immersione	1.4404
Ampiezza testa resistenza ad immersione	Amp. 60 mm
Attacco filettato	G 1 1/2 B "
Coppia di serraggio raccomandata resistenza elettrica ad immersione	90 ... 100 Nm
Lunghezza testa resistenza elettrica ad immersione	≈ 160 mm
Materiale scatola di raccordo	PA6 GF30
Peso netto testa resistenza ad immersione	1,36 kg

	<b>Resistenza elettrica a immersione 2 - 6 kW</b>
<b>Alimentazione</b>	1 N PE ~230 V AC/50 Hz 1x 16 A; 3 N PE ~400 V AC/50 Hz 3 x 16 A
<b>Tipo di protezione</b>	IP54 (DIN EN 60529)
<b>Classe di protezione elettrica</b>	I
<b>Categoria di sovratensione</b>	II

# Содржина

## Упатство за користење

### Содржина

<b>1</b>	<b>Безбедност.....</b>	<b>101</b>
1.1	Напомени за предупредување при ракување.....	101
1.2	Употреба согласно намената.....	101
1.3	Општи безбедносни напомени .....	101
1.4	Одредби (регулативи, закони, норми).....	102
<b>2</b>	<b>Напомени за документација .....</b>	<b>103</b>
2.1	Внимавајте на придружната важечка документација .....	103
2.2	Чувајте ја документацијата .....	103
2.3	Важност на упатството .....	103
<b>3</b>	<b>Опис на производот .....</b>	<b>103</b>
3.1	Конструкција на производот.....	103
3.2	СЕ-ознака .....	103
<b>4</b>	<b>Работа .....</b>	<b>103</b>
4.1	Преглед на функции на регулаторот за подесување .....	103
<b>5</b>	<b>Отстранување на пречки .....</b>	<b>104</b>
5.1	Препознавање и отстранување на пречките.....	104
<b>6</b>	<b>Нега и одржување .....</b>	<b>104</b>
6.1	Нега на производот .....	104
<b>7</b>	<b>Вадење надвор од употреба .....</b>	<b>104</b>
7.1	Привремено вадење на производот надвор од употреба .....	104
7.2	Крајно исклучување на производот.....	104
7.3	Рециклирање и отстранување .....	104
<b>8</b>	<b>Гаранција и сервисна служба .....</b>	<b>104</b>
8.1	Гаранција .....	104
8.2	Сервисна служба .....	104

## 1 Безбедност

### 1.1 Напомени за предупредување при ракување

#### Класификација на безбедносните напомени при ракување

Напомените за предупредување при работа се степенувани со ознаки за предупредување и сигнални зборови во поглед на тежината и можната опасност:

#### Ознаки за предупредување и сигнални зборови



##### Опасност!

непосредна опасност по живот или опасност со тешки физички повреди



##### Опасност!

Опасност по живот поради струен удар



##### Внимание!

Опасност од лесни физички повреди



##### Предупредување!

Ризик од материјални штети или штети за околината

### 1.2 Употреба согласно намената

При несоодветна и непрописна употреба може да настане опасност по живот или физички повреди на корисникот или трети лица, односно да се појават пречки на уредот и материјалните средства.

Електричната грејна прачка служи за загревање на делот во мирување во резервоарите за топла вода VIH R 300 - 500 и VIH S 300 - 500. Тој е специјално наменет за дополнително загревање.

Употреба согласно намената претставува:

- почитување на приложените упатства за користење на производот како и другите компоненти на системот
- придржување до правила за контрола и одржување наведени во упатствата.

Овој производ може да се користи од страна на деца над 8 години, како и лица со намалени физички, сензорни или ментални способности или лица со недостаток на знаење и искуство, само доколку тие се

под надзор или се поучени за безбедна употреба на производот и ги разбираат опасностите што може да произлезат од тоа. Децата не смеат да си играат со производот. Чистењето и одржувањето не сме да се врши од страна на деца без надзор.

Друга намена, освен онаа која е опишана во упатствата или не е во согласност со нив, е забранета. Исто така е забранета и непосредната комерцијална и индустриска употреба.

#### Внимание!

Забранета е секаква злоупотреба на уредот.

### 1.3 Општи безбедносни напомени

#### 1.3.1 Опасност поради неправилна употреба

Со неправилна употреба можете да ги ставите другите и самите себе во опасност и да предизвикате материјални штети.

- ▶ Внимателно прочитајте ги приложените упатства и сите придружни документи, особ. поглавјето "Безбедност" и напомените за предупредување.
- ▶ Направете ги само оние работи, кон коишто упатува приложеното упатство за користење.

#### 1.3.2 Ризик од материјална штета поради замрзнување

- ▶ Осигурете се дека системот за греење ќе работи и при мраз и сите простории се доволно темперирани.
- ▶ Доколку не можете да воспоставите режим на работа, повикајте овластен сервисер за да го испразни системот за греење.

#### 1.3.3 Опасност по живот поради промените на производот или во околината на производот

- ▶ Во никој случај не ги отстранувајте, премостувајте или блокирајте безбедносните уреди.
- ▶ Не интервенирајте на безбедносните уреди.
- ▶ Не ги уништувајте или отстранувајте пломбите од компонентите.

## 1 Безбедност

- ▶ Не правете никакви промени:
  - на производот
  - на доводот за вода и струја
  - на безбедносниот вентил
  - на испусните водови
  - на градежните околности, коишто би можеле да имаат влијание на оперативната безбедност на производот

### 1.3.4 Опасност од повреда и ризик од материјална штета поради непрописна и занемарена поправка и одржување

- ▶ Никогаш не се обидувајте сами да извршувате поправки или процес на одржување на Вашиот производ.
- ▶ Пречките и оштетувањата, треба веднаш да се поправат од страна на овластен сервисер.
- ▶ Придржувајте се кон наведените интервали за одржување.

### 1.4 Одредби (регулативи, закони, норми)

- ▶ Почитувајте ги националните прописи, норми, регулативи и закони.



## 2 Напомени за документација

### 2.1 Внимавајте на придружната важечка документација

- ▶ Неопходно е да внимавате на сите упатства за работа, приложени кон компонентите на системот.

### 2.2 Чувајте ја документацијата

- ▶ Чувајте го ова упатство како и сета придружна документација за понатамошна употреба.

### 2.3 Важност на упатството

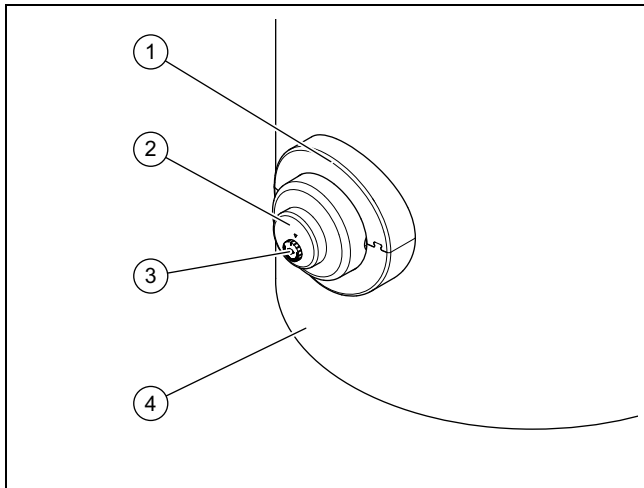
Ова упатство важи исклучиво за:

Производ - број на артикл

Електрична грејна прачка	0020230734
--------------------------	------------

## 3 Опис на производот

### 3.1 Конструкција на производот



- |                                       |  |
|---------------------------------------|--|
| 1 Спецификациона плочка (под капакот) | 3 Регулатор за подесување на температурата на топлата вода |
| 2 Електрична грејна прачка            | 4 Резервоар  |

### 3.2 CE-ознака



Со CE-ознаката се документира, дека производите ги исполнуваат сите основни барања на соодветните регулативи според спецификационата плочка.

Изјавата за сообразност може да ја погледнете кај производителот.

## 4 Работа

### 4.1 Преглед на функции на регулаторот за подесување

Поставка на регулаторот за подесување	Функција
	ИСКЛУЧЕНО
	Заштита од замрзнување
	Температурата на топлата вода околу 40 °C
	Температурата на топлата вода околу 60 °C
	Температурата на топлата вода околу 70 °C
	Нормална работа Температурата на топлата вода околу 65 °C

## 5 Отстранување на пречки

### 5 Отстранување на пречки

#### 5.1 Препознавање и отстранување на пречките

**Услови:** Температурата на топлата вода не ја постигнува подесената температура

- ▶ Ев. безбедносниот ограничувач на температурата се активирал. Известете го овластеното стручно лице.

## 6 Нега и одржување

### 6.1 Нега на производот



**Предупредување!**  
**Ризик од материјална штета поради несоодветно средство за чистење!**

- ▶ Не користете спрејови, абразивни средства, детергенти, растворувачи или средства за чистење што содржат хлор.
- 
- ▶ Исчистете ја облогата со влажна крпа и малку нерастворен сапун.

## 7 Вадење надвор од употреба

### 7.1 Привремено вадење на производот надвор од употреба

1. Поставете го регулаторот за подесување на поставката „ИСКЛУЧЕНО”.
2. Бидете сигурни дека има доволна заштита од замрзнување.

### 7.2 Крајно исклучување на производот

- ▶ Крајното исклучување на производот треба да се изврши од страна на овластено стручно лице.

### 7.3 Рециклирање и отстранување



Ако производот е означен со овој знак:

- ▶ Во овој случај не го фрлајте производот во домашниот отпад.
- ▶ Наместо тоа, предадете го производот во собирен пункт за стари електрични или електронски уреди.



Ако производот содржи батерии, коишто се означени со овој знак, тогаш тие може да содржат супстанции штетни по здравјето и околината.

- ▶ Во овој случај отстранете ги батериите во собирен пункт за батерии.

## 8 Гаранција и сервисна служба

### 8.1 Гаранција

Информациите за гаранцијата на производителот побарајте ги на контактната адреса во прилог.

### 8.2 Сервисна служба

Податоците за контакт на нашата сервисна служба ќе ги најдете во прилог или на нашата веб страница.

## Упатство за инсталација

## Содржина

<b>1</b>	<b>Безбедност.....</b>	<b>106</b>
1.1	Напомени за предупредување при ракување.....	106
1.2	Употреба согласно намената.....	106
1.3	Општи безбедносни напомени .....	106
1.4	Одредби (регулативи, закони, норми).....	107
<b>2</b>	<b>Напомени за документација .....</b>	<b>108</b>
2.1	Внимавајте на придружната важечка документација .....	108
2.2	Чувајте ја документацијата .....	108
2.3	Важност на упатството .....	108
<b>3</b>	<b>Опис на производот .....</b>	<b>108</b>
3.1	Конструкција на производот.....	108
3.2	СЕ-ознака .....	108
<b>4</b>	<b>Монтажа .....</b>	<b>108</b>
4.1	Проверка на обемот на испорака .....	108
<b>5</b>	<b>Инсталација .....</b>	<b>108</b>
5.1	Демонтирање на отворот за проверка .....	109
5.2	Монтирање на електрична грејна прачка .....	109
5.3	Воспоставување на напојување со струја .....	109
5.4	Електрична инсталација.....	109
<b>6</b>	<b>Ставање во употреба.....</b>	<b>110</b>
6.1	Ставање во употреба на електричната грејна прачка .....	110
<b>7</b>	<b>Отстранување на пречки .....</b>	<b>110</b>
7.1	Функционирање на безбедносниот ограничувач на температурата.....	110
7.2	Отклучување на безбедносниот ограничувач на температурата по исклучувањето .....	110
<b>8</b>	<b>Вадење надвор од употреба .....</b>	<b>111</b>
8.1	Вадење на производот надвор од употреба .....	111
8.2	Рециклирање и отстранување .....	111
<b>9</b>	<b>Сервисна служба.....</b>	<b>111</b>
9.1	Сервисна служба .....	111
<b>10</b>	<b>Технички податоци.....</b>	<b>111</b>

# 1 Безбедност

## 1 Безбедност

### 1.1 Напомени за предупредување при ракување

#### Класификација на напомените за предупредување поврзани со ракувањето

Напомените за предупредување поврзани со ракувањето се означени со следните ознаки и сигнални зборови во поглед на сериозноста на можната опасност:

#### Ознаки за предупредување и сигнални зборови



##### Опасност!

Непосредна животна опасност или опасност од тешки повреди на лица



##### Опасност!

Опасност по живот поради струен удар



##### Предупредување!

Опасност од лесни повреди на лица



##### Претпазливо!

Ризик од материјални штети или штети за околината

### 1.2 Употреба согласно намената

При несоодветна и непрописна употреба може да настане опасност по живот или физички повреди на корисникот или трети лица, односно да се појават пречки на уредот и материјалните средства.

Електричната грејна прачка служи за загревање на делот во мирување во резервоарите за топла вода VIH R 300 - 500 и VIH S 300 - 500. Тој е специјално наменет за дополнително загревање.

Употреба согласно намената претставува:

- почитување на приложените упатства за користење, упатства за инсталација и одржување, како и на сите други компоненти на системот
- инсталација и монтажа во согласност со дозволата на производот и системот
- придржување до правила за контрола и одржување наведени во упатствата.

Прописната употреба исто така ја опфаќа инсталацијата според IP-кодот.

Друга намена, освен онаа која е опишана во упатствата или не е во согласност со нив, е забранета. Исто така е забранета и непосредната комерцијална и индустриска употреба.

#### Внимание!

Забранета е секаква злоупотреба на уредот.

### 1.3 Општи безбедносни напомени

#### 1.3.1 Опасност од незадоволителна квалификација

**важност:** Не е за Русија

Следните работи смее да ги извршува само од овластено стручно лице, кој е доволно квалификуван за тоа:

**важност:** Русија

Следните работи смее да ги извршува само овластено стручно лице од Vaillant, кој е доволно квалификуван за тоа:

- Монтажа
- Демонтажа
- Инсталација
- Ставање во употреба
- Контрола и одржување
- Поправка
- Отстранување од употреба
- ▶ Внимавајте на сите упатства приложени со производот.
- ▶ Постапувајте согласно со актуелната состојба на техниката.
- ▶ Придржувајте се до сите релевантни директиви, норми, закони и други прописи.

#### 1.3.2 Опасност по живот поради струен удар

Доколку ги допрете компонентите коишто спроведуваат напон, постои опасност по живот поради струен удар.

Пред да извршите интервенции на уредот:

- ▶ Исклучете го производот, така што ќе ги исклучите сите полови за напојувања со струја (електричен разделник со најмалку 3 mm контактен отвор, на пр. осигурувач или заштитен прекинувач).
- ▶ Обезбедете го од повторно вклучување.

- ▶ Проверете дали има напон.

### **1.3.3 Ризик од материјална штета поради замрзнување**

- ▶ Не го инсталирајте производот во простории кадешто постои опасност од замрзнување.

### **1.3.4 Опасност од изгореници или попарување поради жешките компоненти**

- ▶ Интервенирајте на компонентите, само доколку се оладени.

### **1.3.5 Ризик од материјални штети поради несоодветен алат**

- ▶ За да ги затегнете или олабавите завртките, користете правилен алат.

### **1.3.6 Опасност по живот поради недостиг на безбедносни уреди**

Шемата содржана во овој документ не ги прикажува сите потребни безбедносни уреди потребни за правилна инсталација.

- ▶ Инсталирајте ги потребните безбедносни уреди во прилог.
- ▶ Внимавајте на односните домашни и меѓународни закони, норми и регулативи.

## **1.4 Одредби (регулативи, закони, норми)**

- ▶ Почитувајте ги националните прописи, норми, регулативи и закони.

## 2 Напомени за документација

### 2 Напомени за документација

#### 2.1 Внимавајте на придружната важечка документација

- ▶ Внимавајте на сите упатства за користење и инсталација, кои се приложени на компонентите на системот.

#### 2.2 Чувајте ја документацијата

- ▶ Предадете му го ова упатство и цела придружна документација на операторот на системот.

#### 2.3 Важност на упатството

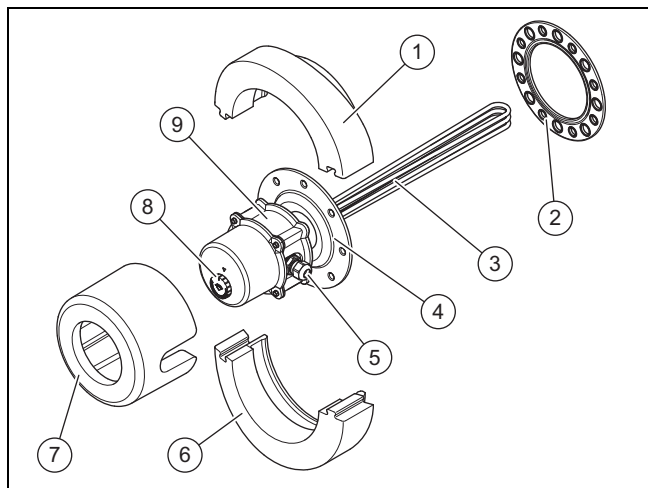
Ова упатство важи исклучиво за:

##### Производ - број на артикл

Електрична грејна прачка	0020230734
--------------------------	------------

## 3 Опис на производот

### 3.1 Конструкција на производот



- |   |   |   |  |
|---|---|---|--|
| 1 | Изолациски елемент на горниот полупрстен                                      | 5 | PG навој за електричен приклучок               |
| 2 | Дихтунг на отворот за проверка  | 6 | Изолациски елемент на долниот полупрстен       |
| 3 | Грејни прачки   | 7 | Изолациска чаура за главата на грејната прачка |
| 4 | Редуцирна прирабница, со претходно монтиран дихтунг за главата на одвртувачот | 8 | Регулатор за подесување                        |
|   |   | 9 | Спецификациона плочка                          |

### 3.2 CE-ознака



Со CE-ознаката се документира, дека производителот ги исполнуваат сите основни барања на соодветните регулативи според спецификационата плочка.

Изјавата за сообразност може да ја погледнете кај производителот.

## 4 Монтажа

### 4.1 Проверка на обемот на испорака

- ▶ Проверете дали е целосен и неоштетен обемот на испорака.

Количина	Ознака
1	Електрична грејна прачка
1	Редуцирна прирабница
1	Дихтунг на отворот за проверка
1	Упатство за работа и инсталација

## 5 Инсталација



### Претпазливо!

**Ризик од материјална штета поради корозија и краток спој при недоволно заземјување**

Ако вметнете електрична грејна прачка во резервоарот, во водата може да се воспостави електричен потенцијал поради содржаниот напон од друг извор, којшто може да предизвика корозија на електричната грејна прачка.

- ▶ Бидете сигурни дека на секој кабел за заземјување на главната шина за заземјување за резервоарот се приклучени цевките за топла и ладна вода.
- ▶ Освен тоа, бидете сигурни дека електричната грејна прачка е исто така приклучена на главната шина за заземјување преку клемата за заземјување.

Електричната инсталација треба да биде извршена од електроинсталатер.

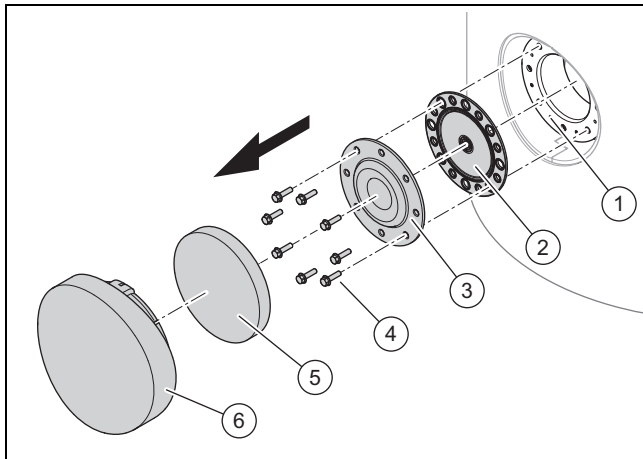
Електричната грејна прачка смее да се монтира само хоризонтално. Вертикалното вградување не е дозволиво.

За електричното приклучување користете кабел за мрежен приклучок, што е дозволен за температура од 80 °C.

Бидете сигурни дека резервоарот за топла вода е наполнет, пред да ја вклучите електричната грејна прачка.

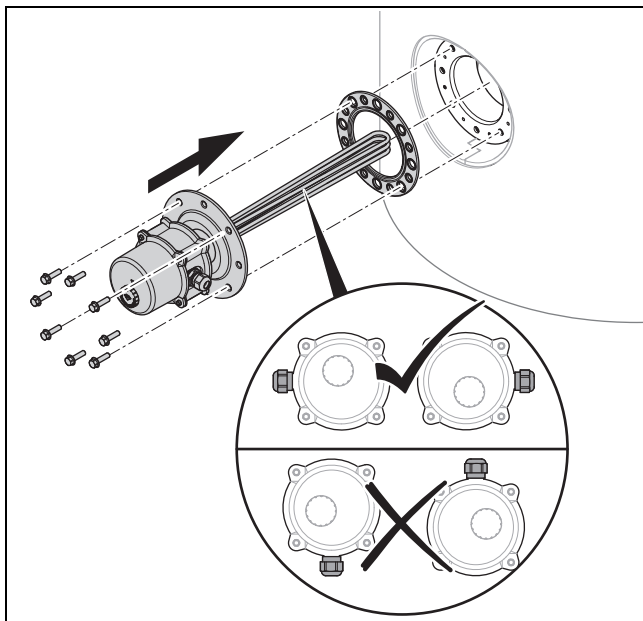
За одржување на долготрајната функционалност на електричната грејна прачка се препорачува следниот минимален квалитет на свежата вода: содржина на хлор < 120 mg/l, тврдост на водата < 2,4965 mmol/l (< 14°dH; < 24,987°FH; < 140 mg CaCO<sub>3</sub>/l; < 249,87 mg CaCO<sub>3</sub>/l; < 249,87 ppm (mg CaCO<sub>3</sub>/l)). Кај поголема тврдост на водата се препорачува примена на систем за омекнување на водата!

## 5.1 Демонтирање на отворот за проверка



1. ЕВ. исклучете го резервоарот за топла вода од струја.
2. Испразнете го резервоарот за топла вода.
3. Отстранете ги изолациските елементи (5) и (6).
4. Демонтирајте ги завртките (4) за прицврстување на капакот (3) на отворот за проверка (1).
5. Извадете ги капакот и дихтунгот (2).

## 5.2 Монтирање на електрична грејна прачка



1. За отворот за проверка користете го новиот дихтунг.



### Опасност!

**Ризик од материјална штета поради преголемо затегнување на навојот**

Редуцирната прирабница е претходно монтирана на навојот на електричната грејна прачка со одреден вртежен момент, така што дијаграмот за дупки се наоѓа во идеална положба со грејните прачки. Ако редуцирната прирабница дополнително се затегне на навојот на електричната грејна прачка, навојот може да се оштети.

- ▶ Монтирајте ја електричната грејна прачка со претходно монтираната редуцирна прирабница, како што е испорачана.

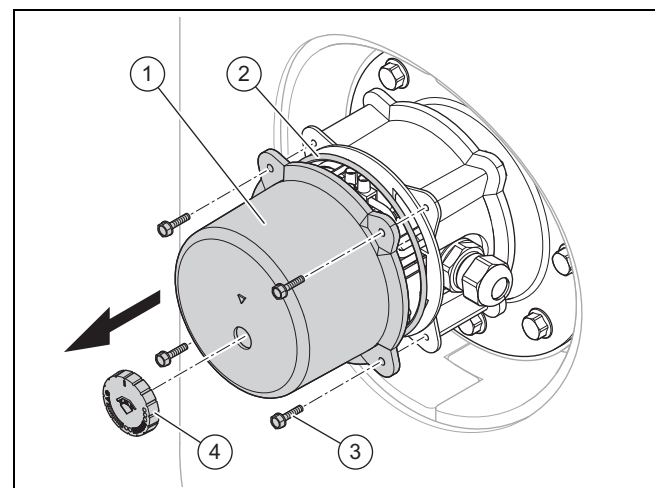
2. Монтирајте ја електричната грејна прачка како што е прикажано.
3. Вкрстено затегнете ги навртките на редуцирната прирабница.

## 5.3 Воспоставување на напојување со струја

Надворешниот кабел за мрежен приклучок мора да е заземјен и исто така да е приклучен со точниот поларитет и согласно важечките прописи.

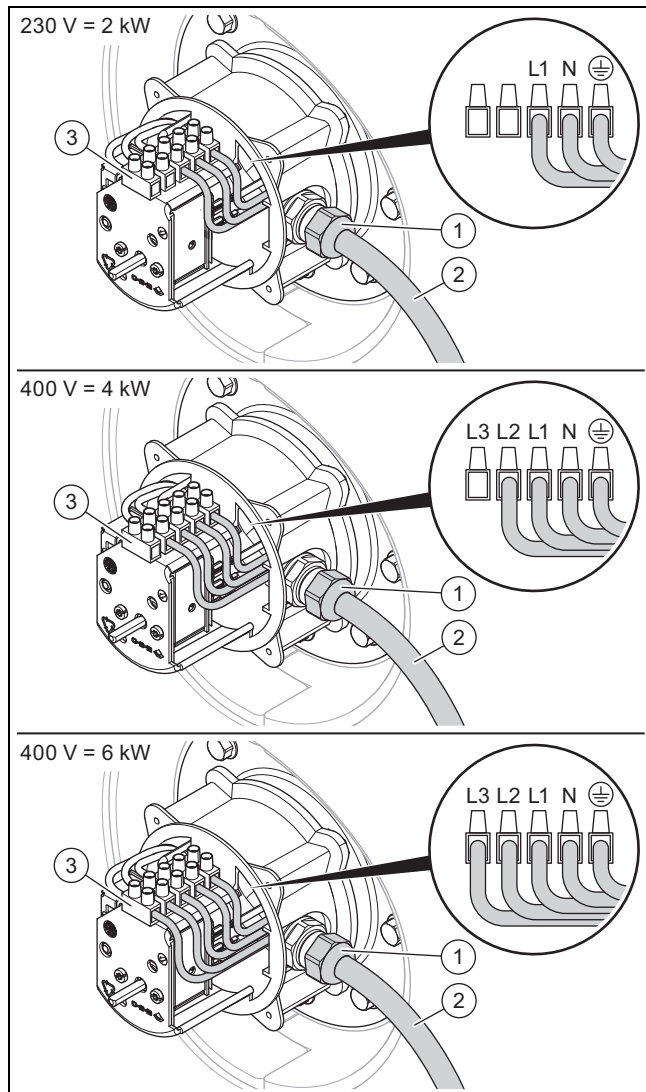
- ▶ За директно поврзан мрежен приклучок инсталирајте сеполен разделник од мрежата со ширина на контактниот отвор од најмалку 3 mm по пол (на пр. осигурувачи или прекинувач за јачина).

## 5.4 Електрична инсталација



1. Извлечете го вртливото копче (4) од регулаторот за подесување.
2. Демонтирајте ги четирите завртки со шестаголна глава (3).
3. Извлечете го приклучното куќиште (1) и дихтунгот (2).

## 6 Ставање во употреба

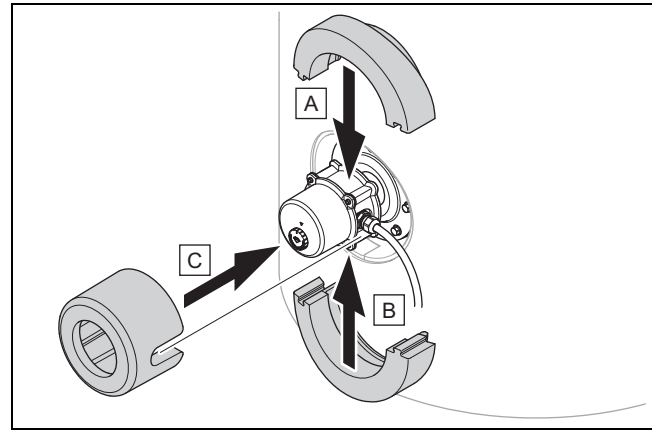


4. Ставете го кабелот (2) отворот за мрежен приклучок во куќиштето и осигурете го со PG навој (1).
  - Препорачан затезен вртежен момент:  $\leq 6,0 \text{ Nm}$
5. Поврзете ги жиците во терминалниот блок (3).
6. Ставете ги дихтунгот и приклучното куќиште и монтирајте ги четирите завртки со шестаголна глава.
  - Препорачан затезен вртежен момент:  $\leq 1,9 \text{ Nm}$
7. Ставете го вртливото копче на регулаторот за подесување.

## 6 Ставање во употреба

### 6.1 Ставање во употреба на електричната грејна прачка

1. Наполнете го резервоарот за топла вода.
2. Проверете дали дихтува отворот за проверка.



3. Монтирајте ги изолациските елементи.
4. Вклучете го струјното напојување.
5. Со тркалото за подесување поставете ја температурата на којашто треба да се загрее електричната грејна прачка.

## 7 Отстранување на пречки

### 7.1 Функционирање на безбедносниот ограничувач на температурата

Доколку температурата на водата во резервоарот се зголеми над  $95 \text{ }^\circ\text{C}$ , безбедносниот ограничувач на температурата (БОТ) на електричната грејна прачка го исклучува напојувањето.

### 7.2 Отклучување на безбедносниот ограничувач на температурата по исклучувањето



#### Претпазливо!

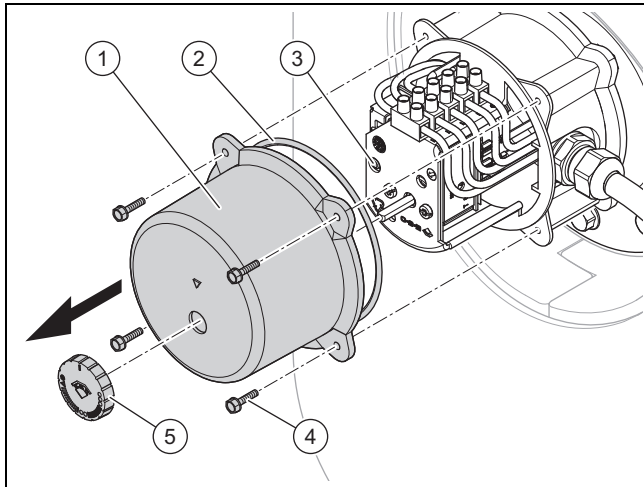
**Ризик од материјална штета поради прегревање!**

Доколку не се отстрани грешката што довела до исклучување на производот, може да настанат штети на производот.

- Повторно вклучете го безбедносниот ограничувач на температурата дури откако ќе се отстрани причината за грешка, којашто предизвикала активирање на безбедносниот ограничувач на температурата.

1. Исклучете го струјното напојување.
2. Демонтирајте ги изолациските елементи од електричната грејна прачка.





3. Извлечете го вртливото копче (5) од регулаторот за подесување.
4. Демонтирајте ги четирите завртки со шестаголна глава (4).
5. Извлечете го приклучното куќиште (1) и дихтунгот (2).
6. Притиснете на копчето за отклучување на безбедносниот ограничувач на температурата (3).
7. Ставете ги дихтунгот и приклучното куќиште и монтирајте ги четирите завртки со шестаголна глава.
8. Ставете го вртливото копче на регулаторот за подесување.
9. Монтирајте ги изолациските елементи.
10. Вклучете го струјното напојување.

## 8 Вадење надвор од употреба

### 8.1 Вадење на производот надвор од употреба

1. Исклучете го напојувањето со струја од електричната грејна прачка.
2. Извадете го од напојување со струја.
3. Испразнете го резервоарот за топла вода.
4. Демонтирајте ја електричната грејна прачка.
5. Монтирајте дихтунг и капак на отворот за проверка.
6. Монтирајте го капакот на отворот за проверка.

### 8.2 Рециклирање и отстранување

#### Отстранување на амбалажата

- ▶ Отстранете ја амбалажата во согласност со прописите.
- ▶ Почитувајте ги сите важечки одредби.

## 9 Сервисна служба

### 9.1 Сервисна служба

Податоците за контакт на нашата сервисна служба ќе ги најдете во прилог или на нашата веб страница.

## 10 Технички податоци

	Електрична грејна прачка 2 - 6 kW
Номинална излезна јачина	2; 4; 6 kW
Дозволена околна температура при работа	0 ... 40°C
Дозволива влажност на воздухот во %	< 75 (долгорочно складирање); < 93 (за време на транспортот)
Макс. препорачана тврдост на водата за пиење	≤ 14 °dH
Поле за подесување на температурата	28 ... 70°C
Дозволена температура за чувањето на вода	7 ... 85°C
Оперативна температура на топлата вода	65°C
Макс. температура на резервоарот за водата за пиење	≤ 95°C
Макс. оперативен притисок на водата за пиење	≤ 1 MPa (≤ 10 bar)
Термална заштита од исклучување во режим на сушење	95°C <sup>+8K</sup>
Мин. температура за заштита од замрзнување	≥ 7°C
Макс. температура на главата на грејната прачка	≤ 95°C
Макс. температура на површината на грејната прачка	≤ 150°C
Макс. капацитет на површината	макс. 14,1 W/cm <sup>3</sup>
Должина на вметнување (длабочина на потопување)	450 mm
Дијаметар на вметнување	≈ 36,5 mm
Дијаметар на грејната прачка	6,5 mm
Материјал на грејните прачки	2.4858 / Incoloy 825
Материјал на главата на грејната прачка	1.4404
Ширина на клучот за главата на грејната прачка	SW 60 mm
Навоен приклучок	G 1 1/2 В инчи
Препорачан затезен вртежен момент на главата на грејната прачка	90 ... 100 Nm
Должина на главата на грејната прачка	≈ 160 mm
Материјал на приклучното куќиште	PA6 GF30
Нето тежина на главата на грејната прачка	1,36 kg
Напојување со струја	1 N PE ~230 V AC/50 Hz 1x 16 A; 3 N PE ~400 V AC/50 Hz 3 x 16 A

## 10 Технички податоци

	Електрична грејна прачка 2 - 6 kW
Вид на заштита	IP54 (DIN EN 60529)
Електрична класа на заштита	I
Пренапонска категорија	II

## Gebruiksaanwijzing

### Inhoudsopgave

<b>1</b>	<b>Veiligheid.....</b>	<b>114</b>
1.1	Waarschuwingen bij handelingen.....	114
1.2	Reglementair gebruik.....	114
1.3	Algemene veiligheidsinstructies .....	114
1.4	Voorschriften (richtlijnen, wetten, normen).....	115
<b>2</b>	<b>Aanwijzingen bij de documentatie .....</b>	<b>116</b>
2.1	Aanvullend geldende documenten in acht nemen.....	116
2.2	Documenten bewaren .....	116
2.3	Geldigheid van de handleiding .....	116
<b>3</b>	<b>Productbeschrijving .....</b>	<b>116</b>
3.1	Opbouw van het product .....	116
3.2	CE-markering.....	116
<b>4</b>	<b>bedrijf.....</b>	<b>116</b>
4.1	Functieoverzicht instelregelaar .....	116
<b>5</b>	<b>Verhelpen van storingen.....</b>	<b>116</b>
5.1	Storingen herkennen en verhelpen .....	116
<b>6</b>	<b>Onderhoud .....</b>	<b>117</b>
6.1	Product onderhouden .....	117
<b>7</b>	<b>Buitenbedrijfstelling .....</b>	<b>117</b>
7.1	Product tijdelijk buiten bedrijf stellen .....	117
7.2	Product definitief buiten bedrijf stellen.....	117
7.3	Recycling en afvoer .....	117
<b>8</b>	<b>Garantie en klantendienst.....</b>	<b>117</b>
8.1	Garantie .....	117
8.2	Serviceteam.....	117

# 1 Veiligheid

## 1 Veiligheid

### 1.1 Waarschuwingen bij handelingen

#### Classificatie van de waarschuwingen bij handelingen

De waarschuwingen bij handelingen zijn als volgt door waarschuwingstekens en signaalwoorden aangaande de ernst van het potentiële gevaar ingedeeld:

#### Waarschuwingstekens en signaalwoorden



##### **Gevaar!**

Direct levensgevaar of gevaar voor ernstig lichamelijk letsel



##### **Gevaar!**

Levensgevaar door een elektrische schok



##### **Waarschuwing!**

Gevaar voor licht lichamelijk letsel



##### **Opgelet!**

Kans op materiële schade of milieuschade

### 1.2 Reglementair gebruik

Er kan bij ondeskundig of oneigenlijk gebruik gevaar ontstaan voor lijf en leven van de gebruiker of derden resp. schade aan het product en andere voorwerpen.

Het elektrische verwarmingselement dient voor het verwarmen van het stand-bydeel van de warmwaterboiler VIH R 300 - 500 en VIH S 300 - 500. Ze zijn speciaal als hulpverwarming bedoeld.

Het reglementaire gebruik houdt in:

- het naleven van de meegeleverde gebruiksaanwijzingen van het product alsook van alle andere componenten van de installatie
- het naleven van alle in de handleidingen vermelde inspectie- en onderhoudswaarden.

Dit product kan door kinderen vanaf 8 jaar alsook personen met verminderde fysieke, sensorische of mentale capaciteiten of gebrek aan ervaring en kennis gebruikt worden, als ze onder toezicht staan of m.b.t. het veilige gebruik van het product geïnstrueerd werden en de daaruit resulterende gevaren verstaan. Kinderen mogen niet met het pro-

duct spelen. Reiniging en onderhoud door de gebruiker mogen niet door kinderen zonder toezicht uitgevoerd worden.

Een ander gebruik dan het in deze handleiding beschreven gebruik of een gebruik dat van het hier beschreven gebruik afwijkt, geldt als niet reglementair. Als niet reglementair gebruik geldt ook ieder direct commercieel of industrieel gebruik.

#### **Attentie!**

Ieder misbruik is verboden.

### 1.3 Algemene veiligheidsinstructies

#### 1.3.1 Gevaar door foute bediening

Door foute bediening kunt u zichzelf en anderen in gevaar brengen en materiële schade veroorzaken.

- ▶ Lees deze handleiding en alle andere documenten die van toepassing zijn zorgvuldig, vooral het hoofdstuk "Veiligheid" en de waarschuwingen.
- ▶ Voer alleen de werkzaamheden uit waarover deze gebruiksaanwijzing aanwijzingen geeft.

#### 1.3.2 Gevaar voor materiële schade door vorst

- ▶ Zorg ervoor dat de CV-installatie bij vorst in elk geval in gebruik blijft en alle vertrekken voldoende getempereerd zijn.
- ▶ Als u het bedrijf niet kunt garanderen, dan laat u een installateur de CV-installatie legen.

#### 1.3.3 Levensgevaar door veranderingen aan het product of in de omgeving van het product

- ▶ Verwijder, overbrug of blokkeer in geen geval de veiligheidsinrichtingen.
- ▶ Manipuleer geen veiligheidsinrichtingen.
- ▶ Vernietig of verwijder geen verzegelingen van componenten.
- ▶ Breng geen veranderingen aan:
  - aan het product
  - aan de toevoerleidingen voor water en stroom
  - aan de veiligheidsklep
  - aan de afvoerleidingen

- aan bouwconstructies die de gebruiksveiligheid van het product kunnen beïnvloeden

### **1.3.4 Verwondingsgevaar en gevaar voor materiële schade door ondeskundig of niet-uitgevoerd onderhoud en ondeskundige of niet-uitgevoerde reparatie**

- ▶ Probeer nooit om zelf onderhoudswerk of reparaties aan uw product uit te voeren.
- ▶ Laat stringen en schade onmiddellijk door een installateur verhelpen.
- ▶ Neem de opgegeven onderhoudsintervallen in acht.

### **1.4 Voorschriften (richtlijnen, wetten, normen)**

- ▶ Neem de nationale voorschriften, normen, richtlijnen en wetten in acht.

## 2 Aanwijzingen bij de documentatie

### 2 Aanwijzingen bij de documentatie

#### 2.1 Aanvullend geldende documenten in acht nemen

- ▶ Neem absoluut alle gebruiksaanwijzingen die bij de componenten van de installatie worden meegeleverd in acht.

#### 2.2 Documenten bewaren

- ▶ Bewaar deze handleiding alsook alle documenten die van toepassing zijn voor het verdere gebruik.

#### 2.3 Geldigheid van de handleiding

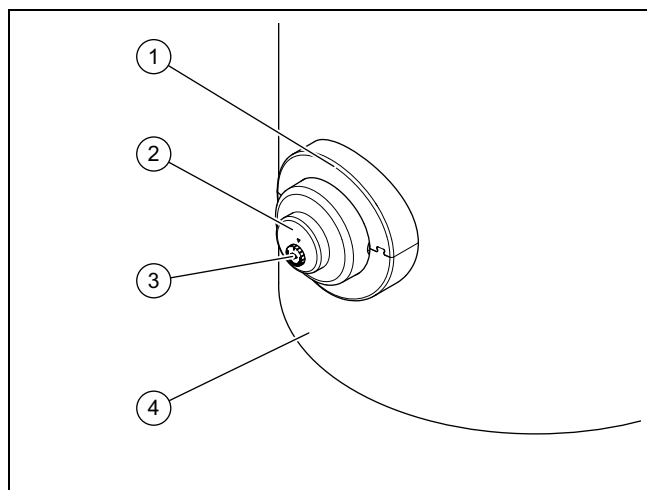
Deze handleiding geldt uitsluitend voor:

##### Productartikelnummer

Elektrisch verwarmingselement	0020230734
-------------------------------	------------

## 3 Productbeschrijving

### 3.1 Opbouw van het product



- |                                    |                                       |
|------------------------------------|---------------------------------------|
| 1 Typeplaatje (onder de afdekking) | 3 Instelregelaar warmwatertemperatuur |
| 2 Elektrisch verwarmingselement    | 4 Buffer                              |

### 3.2 CE-markering



Met de CE-markering wordt aangegeven dat de producten volgens het typeplaatje voldoen aan de fundamentele vereisten van de geldende richtlijnen.

De conformiteitsverklaring kan bij de fabrikant geraadpleegd worden.

## 4 bedrijf

### 4.1 Functieoverzicht instelregelaar

Stand instelregelaar	Funcctie
	UIT
	Vorstbeveiliging
	Watertemperatuur ca. 40 °C
	Watertemperatuur ca. 60 °C
	Watertemperatuur ca. 70 °C
	Normaal gebruik Watertemperatuur ca. 65 °C

## 5 Verhelpen van storingen

### 5.1 Storingen herkennen en verhelpen

**Voorwaarden:** Warmwatertemperatuur bereikt niet de ingestelde temperatuur

- ▶ De veiligheidstemperatuurbegrenzer is evt. in werking getreden. Breng uw installateur op de hoogte.

## 6 Onderhoud

### 6.1 Product onderhouden



#### Opgelet!

#### Gevaar voor materiële schade door ongeschikte reinigingsmiddelen!

- ▶ Gebruik geen sprays, geen schuurmiddelen, afwasmiddelen, oplosmiddel- of chloorhoudende reinigingsmiddelen.

- ▶ Reinig de mantel met een vochtige doek en een beetje oplosmiddelvrije zeep.

## 7 Buitenbedrijfstelling

### 7.1 Product tijdelijk buiten bedrijf stellen

1. Zet de instelregelaar op "UIT".
2. Zorg ervoor dat voldoende vorstbeveiliging gegarandeerd is.

### 7.2 Product definitief buiten bedrijf stellen

- ▶ Laat het product door een installateur definitief buiten bedrijf stellen.

### 7.3 Recycling en afvoer



Als het product met dit teken is aangeduid:

- ▶ Gooi het product in dat geval niet met het huisvuil weg.
- ▶ Geef het product in plaats daarvan af bij een inzamelpunt voor oude elektrische of elektronische apparaten.



Als het product batterijen bevat die met dit teken gekenmerkt zijn, kunnen de batterijen substanties bevatten die schadelijk zijn voor gezondheid en milieu.

- ▶ Breng de batterijen in dat geval naar een inzamelpunt voor batterijen.

## 8 Garantie en klantendienst

### 8.1 Garantie

Informatie over de fabrieksgarantie kunt u verkrijgen via het contactadres in de bijlage.

### 8.2 Serviceteam

De contactgegevens van ons serviceteam vindt u in de bijlage of op onze website.

# Inhoudsopgave

## Installatiehandleiding

### Inhoudsopgave

<b>1</b>	<b>Veiligheid</b> .....	<b>119</b>
1.1	Waarschuwingen bij handelingen.....	119
1.2	Reglementair gebruik.....	119
1.3	Algemene veiligheidsinstructies .....	119
1.4	Voorschriften (richtlijnen, wetten, normen) .....	120
<b>2</b>	<b>Aanwijzingen bij de documentatie</b> .....	<b>121</b>
2.1	Aanvullend geldende documenten in acht nemen .....	121
2.2	Documenten bewaren .....	121
2.3	Geldigheid van de handleiding .....	121
<b>3</b>	<b>Productbeschrijving</b> .....	<b>121</b>
3.1	Opbouw van het product .....	121
3.2	CE-markering.....	121
<b>4</b>	<b>Montage</b> .....	<b>121</b>
4.1	Leveringsomvang controleren .....	121
<b>5</b>	<b>Installatie</b> .....	<b>121</b>
5.1	Reinigingsopening demonteren.....	122
5.2	Elektrisch verwarmingselement monteren.....	122
5.3	Stroomvoorziening tot stand brengen.....	122
5.4	Elektrische installatie .....	122
<b>6</b>	<b>Ingebruikname</b> .....	<b>123</b>
6.1	Verwarmingselement in gebruik nemen .....	123
<b>7</b>	<b>Verhelpen van storingen</b> .....	<b>123</b>
7.1	Functie van de veiligheidstemperatuurbegrenzer .....	123
7.2	Veiligheidstemperatuurbegrenzer na uitschakeling ontgrendelen .....	123
<b>8</b>	<b>Buitenbedrijfstelling</b> .....	<b>124</b>
8.1	Product buiten bedrijf stellen .....	124
8.2	Recycling en afvoer .....	124
<b>9</b>	<b>Serviceteam</b> .....	<b>124</b>
9.1	Serviceteam.....	124
<b>10</b>	<b>Technische gegevens</b> .....	<b>124</b>



## 1 Veiligheid

### 1.1 Waarschuwingen bij handelingen

#### Classificatie van de waarschuwingen bij handelingen

De waarschuwingen bij handelingen zijn als volgt door waarschuwingstekens en signaalwoorden aangaande de ernst van het potentiële gevaar ingedeeld:

#### Waarschuwingstekens en signaalwoorden



##### **Gevaar!**

Direct levensgevaar of gevaar voor ernstig lichamelijk letsel



##### **Gevaar!**

Levensgevaar door een elektrische schok



##### **Waarschuwing!**

Gevaar voor licht lichamelijk letsel



##### **Opgelet!**

Kans op materiële schade of milieuschade

### 1.2 Reglementair gebruik

Er kan bij ondeskundig of oneigenlijk gebruik gevaar ontstaan voor lijf en leven van de gebruiker of derden resp. schade aan het product en andere voorwerpen.

Het elektrische verwarmingselement dient voor het verwarmen van het stand-bydeel van de warmwaterboiler VIH R 300 - 500 en VIH S 300 - 500. Ze zijn speciaal als hulpverwarming bedoeld.

Het reglementaire gebruik houdt in:

- het naleven van de bijgevoegde gebruiks-, installatie- en onderhoudshandleidingen van het product en van alle andere componenten van de installatie
- de installatie en montage conform de product- en systeemvergunning
- het naleven van alle in de handleidingen vermelde inspectie- en onderhoudsvoorwaarden.

Het reglementaire gebruik omvat bovendien de installatie conform de IP-klasse.

Een ander gebruik dan het in deze handleiding beschreven gebruik of een gebruik dat van het hier beschreven gebruik afwijkt, geldt als niet reglementair. Als niet reglementair

gebruik geldt ook ieder direct commercieel of industrieel gebruik.

#### **Attentie!**

Ieder misbruik is verboden.

### 1.3 Algemene veiligheidsinstructies

#### 1.3.1 Gevaar door ontoereikende kwalificatie

**Geldigheid:** Niet voor Rusland

De volgende werkzaamheden mogen alleen vakmensen met voldoende kwalificaties uitvoeren:

**Geldigheid:** Rusland

Volgende werkzaamheden mogen alleen door Vaillant gecertificeerde installateurs uitgevoerd worden die hiervoor voldoende gekwalificeerd zijn:

- Montage
- Demontage
- Installatie
- Ingebruikname
- Inspectie en onderhoud
- Reparatie
- Buitenbedrijfstelling
- ▶ Neem alle productbegeleidende handleidingen in acht.
- ▶ Ga te werk conform de actuele stand der techniek.
- ▶ Neem alle betreffende richtlijnen, normen, wetten en andere voorschriften in acht.

#### 1.3.2 Levensgevaar door een elektrische schok

Als u spanningsvoerende componenten aanraakt, bestaat levensgevaar door elektrische schok.

Voor u aan het product werkt:

- ▶ Schakel het product spanningsvrij door alle stroomvoorzieningen alpolig uit te schakelen (elektrische scheidingsinrichting met minstens 3 mm contactopening, bijv. zekering of leidingbeveiligingsschakelaar).
- ▶ Beveilig tegen herinschakelen.
- ▶ Controleer op spanningvrijheid.

# 1 Veiligheid

## 1.3.3 Gevaar voor materiële schade door vorst

- ▶ Installeer het product niet in ruimtes die aan vorst blootstaan.

## 1.3.4 Verbrandingsgevaar door hete componenten

- ▶ Voer werkzaamheden aan deze onderdelen pas uit als deze zijn afgekoeld.

## 1.3.5 Kans op materiële schade door ongeschikt gereedschap

- ▶ Om schroefverbindingen vast te draaien of te lossen, dient u geschikt gereedschap te gebruiken.

## 1.3.6 Levensgevaar door ontbrekende veiligheidsinrichtingen

De in dit document opgenomen schema's geven niet alle voor een deskundige installatie vereiste veiligheidsinrichtingen weer.

- ▶ Installeer de nodige veiligheidsinrichtingen in de installatie.
- ▶ Neem de betreffende nationale en internationale wetten, normen en richtlijnen in acht.

## 1.4 Voorschriften (richtlijnen, wetten, normen)

- ▶ Neem de nationale voorschriften, normen, richtlijnen en wetten in acht.

## Aanwijzingen bij de documentatie 2

### 2 Aanwijzingen bij de documentatie

#### 2.1 Aanvullend geldende documenten in acht nemen

- ▶ Neem absoluut alle bedienings- en installatiehandleidingen die bij de componenten van de installatie worden meegeleverd in acht.

#### 2.2 Documenten bewaren

- ▶ Gelieve deze handleiding alsook alle aanvullend geldende documenten aan de gebruiker van de installatie te geven.

#### 2.3 Geldigheid van de handleiding

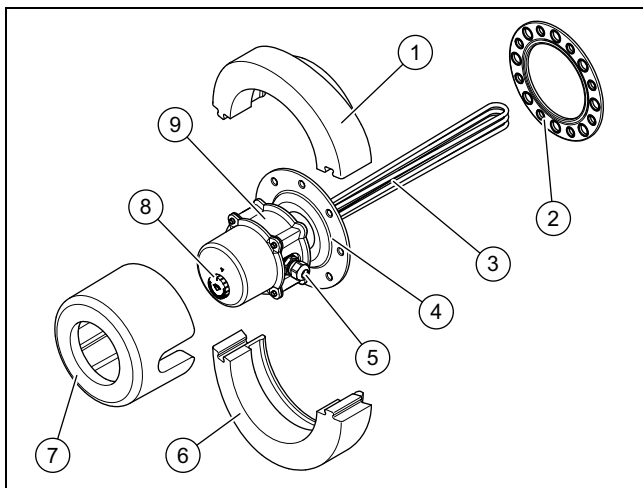
Deze handleiding geldt uitsluitend voor:

##### Productartikelnummer

Elektrisch verwarmingselement	0020230734
-------------------------------	------------

### 3 Productbeschrijving

#### 3.1 Opbouw van het product



- |   |  |   |  |
|---|--|---|--|
| 1 | Isolatie-element bovenste halve ring                       | 5 | PG-schroefverbinding voor elektrisch aansluiting |
| 2 | Afdichting reinigungsopening                               | 6 | Isolatie-element onderste halve ring             |
| 3 | Verwarmingselementen                                       | 7 | Isolatiehuls kop verwarmingselement              |
| 4 | Reduceerflens, met afdichting aan schroefkop voormonteerde | 8 | Instelregelaar                                   |
|   |  | 9 | Typeplaatje                                      |

#### 3.2 CE-markering



Met de CE-markering wordt aangegeven dat de producten volgens het typeplaatje voldoen aan de fundamentele vereisten van de geldende richtlijnen.

De conformiteitsverklaring kan bij de fabrikant geraadpleegd worden.

### 4 Montage

#### 4.1 Leveringsomvang controleren

- ▶ Controleer de leveringsomvang op volledigheid en beschadigingen.

Hoeveelheid	Omschrijving
1	Elektrisch verwarmingselement
1	Reduceerflens
1	Afdichting reinigungsopening
1	Gebruiksaanwijzing en installatiehandleiding

### 5 Installatie



#### Opgelet!

#### Kans op materiële schade door corrosie en kortsluiting door ontbrekende aarding

Als u een elektrisch verwarmingselement in de boiler inzet, dan kan zich wegens de voorhanden vreemde spanning een elektrisch potentieel in het water opbouwen, dat elektrochemische corrosie aan het elektrische verwarmingselement kan veroorzaken.

- ▶ Zorg ervoor dat zowel de warmwaterbuizen alsook de koudwaterbuizen onmiddellijk aan de boiler via een aardingskabel aan de hoofdaardingsrail aangesloten zijn.
- ▶ Zorg er bovendien voor dat via de aardingsklem ook de elektrische verwarmingsstaaf aan de hoofdaardingsrail aangesloten is.

De elektrische installatie mag alleen door een elektromonteur worden uitgevoerd.

Het elektrische verwarmingselement mag alleen horizontaal worden gemonteerd. Een verticale inbouw is niet toegestaan.

Gebruik voor de elektrische aansluiting een netaansluitkabel die voor een temperatuur van 80 °C toegestaan is.

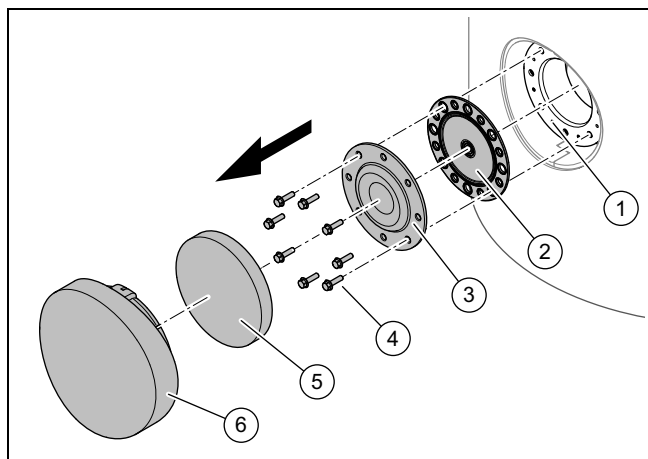
Zorg ervoor dat de warmwaterboiler gevuld is vooraleer u het elektrische verwarmingselement in gebruik neemt.

Voor het behoud van de jarenlange goede werking van het elektrische verwarmingselement wordt volgende

## 5 Installatie

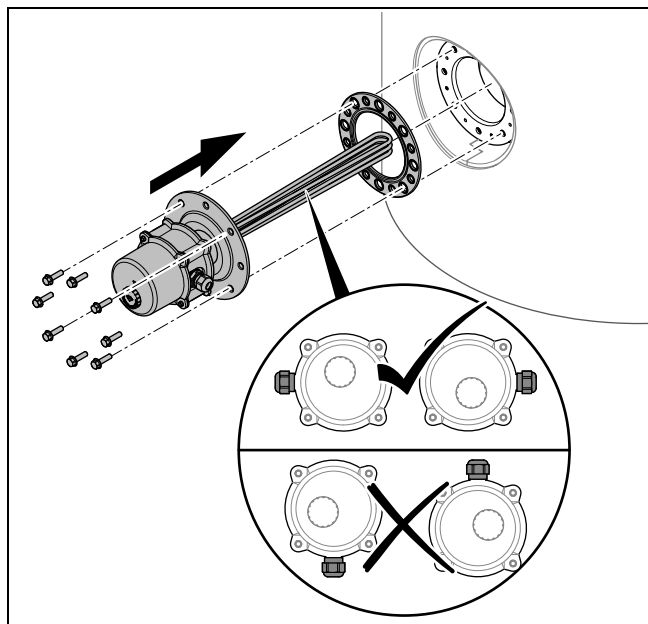
minimumkwaliteit van het verse water aanbevolen: chloridegehalte < 120 mg/l, waterhardheid < 2,4965 mmol/l (< 14°dH; < 24,987°FH; < 140 mg CaCO<sub>3</sub>/l; < 249,87 mg CaCO<sub>3</sub>/l; < 249,87 ppm (mg CaCO<sub>3</sub>/l)). Bij hogere waterhardheden wordt het gebruik van een wateronthardingsinstallatie aanbevolen!

### 5.1 Reinigungsopening demonteren



1. Schakel de warmwaterboiler evt. spanningsvrij
2. Maak de warmwaterboiler leeg.
3. Verwijder de isolatie-elementen (5) en (6).
4. Demonteer de schroeven (4) voor de bevestiging van het deksel (3) van de reinigungsopening (1).
5. Verwijder deksel en afdichting (2).

### 5.2 Elektrisch verwarmingselement monteren



1. Gebruik de meegeleverde nieuwe afdichting voor de reinigungsopening.



### Gevaar!

#### Kans op materiële schade door het te verdraaien van de schroefdraad

De reduceerflens werd met een bepaald draaimoment op de schroefdraad van het elektrische verwarmingselement gemonteerd zodat het boorgatenbeeld en de verwarmingselementen zich in een ideale positie t.o.v. elkaar bevinden. Als u de reduceerflens op de schroefdraad van het elektrische verwarmingselement verder aantrekt, kan de schroefdraad worden beschadigd.

- Monteer het elektrische verwarmingselement met voorgemonteerde reduceerflens zoals hij werd geleverd.

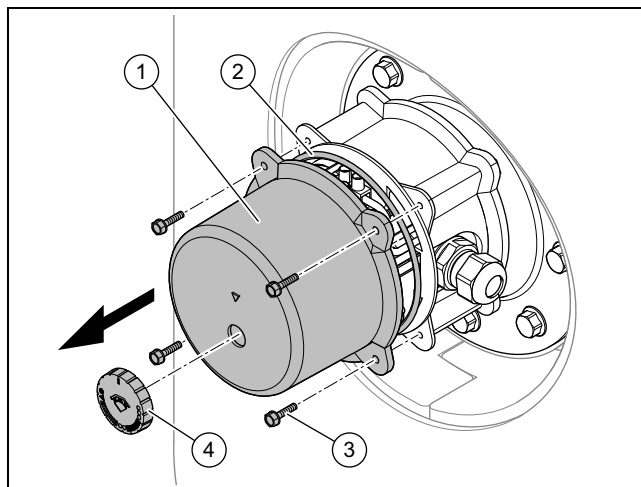
2. Monteer het elektrische verwarmingselement zoals weergegeven.
3. Trek de schroeven aan de reduceerflens kruislings aan.

### 5.3 Stroomvoorziening tot stand brengen

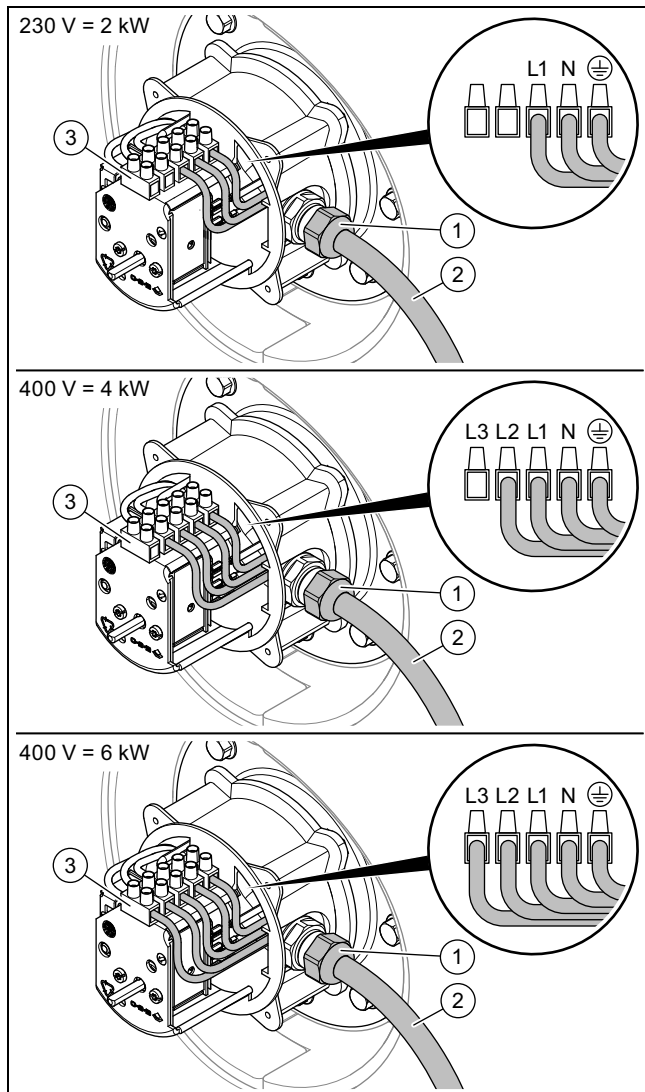
De externe netaansluitkabel moet geaard zijn en met de juiste polariteit en volgens de geldende voorschriften aangesloten worden.

- Installeer voor de vast bedrade netaansluiting een alpolige scheidingsinrichting van het net met een contactopeningswijdte van minstens 3 mm per pool (bijv. zekeringen of vermogensschakelaars).

### 5.4 Elektrische installatie



1. Trek de draaiknop (4) van de instelregelaar.
2. Demonteer de vier zeskantenschroeven (3).
3. Trek de aansluitbehuizing (1) en de afdichting (2) eraf.

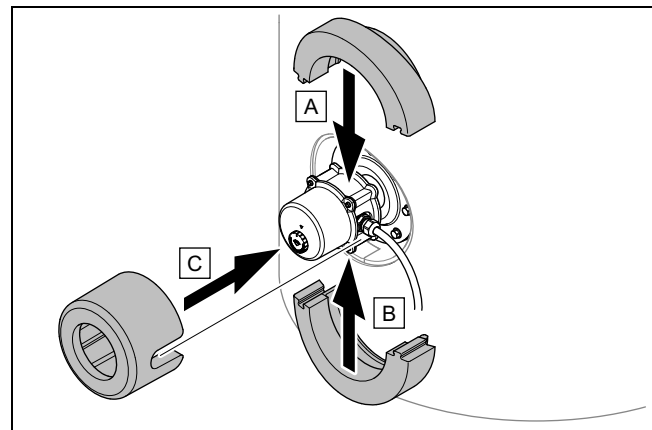


4. Leid de kabel (2) door de netaansluitopening in de behuizing en beveilig deze met de PG-schroefverbinding (1).
  - Aanbevolen aanhaalmoment:  $\leq 6,0$  Nm
5. Sluit de aders op de klemmenstrook (3) aan.
6. Steek afdichting en aansluitbehuizing erop en monteer de vier zeskantschroeven.
  - Aanbevolen aanhaalmoment:  $\leq 1,9$  Nm
7. Steek de draaiknop op de instelregelaar.

## 6 Ingebruikname

### 6.1 Verwarmingselement in gebruik nemen

1. Vul de warmwaterboiler.
2. Controleer de reinigingsopening op dichtheid.



3. Monteer de isolatie-elementen.
4. Schakel de stroomvoorziening in.
5. Stel met het stelwiel de temperatuur in die het elektrische verwarmingselement moet bereiken.

## 7 Verhelpen van storingen

### 7.1 Functie van de veiligheidstemperatuurbegrenzer

Stijgt de watertemperatuur in de boiler boven  $95\text{ }^{\circ}\text{C}$ , dan schakelt de veiligheidstemperatuurbegrenzer aan het elektrische verwarmingselement de spanningstoevoer uit.

### 7.2 Veiligheidstemperatuurbegrenzer na uitschakeling ontgrendelen



#### Opgelet!

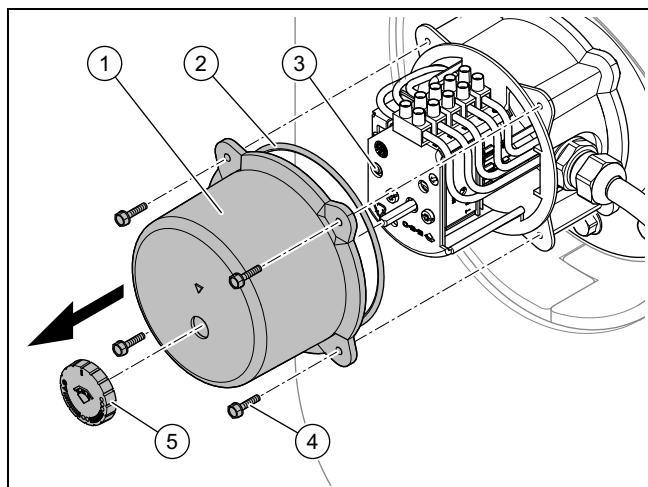
**Gevaar voor materiële schade door oververhitting!**

Als de fout die tot het uitschakelen van het product geleid heeft, niet verholpen wordt, kan het tot schade aan het product komen.

- Schakel de veiligheidstemperatuurbegrenzer pas opnieuw in als de foutoorzaak die tot het uitvallen van de veiligheidstemperatuurbegrenzer geleid heeft, verholpen is.

1. Schakel de stroomvoorziening uit.
2. Demonteer de isolatie-elementen van het elektrische verwarmingselement

## 8 Buitenbedrijfstelling



3. Trek de draaiknop (5) van de instelregelaar.
4. Demonteer de vier zeskantschroeven (4).
5. Trek de aansluitbehuizing (1) en de afdichting (2) eraf.
6. Druk de ontgrendelingstoets van de veiligheidstemperatuurbegrenzer (3) in.
7. Steek de afdichting en de aansluitbehuizing erop en monteer de vier zeskantschroeven.
8. Steek de draaiknop op de instelregelaar.
9. Monteer de isolatie-elementen.
10. Schakel de stroomvoorziening in.

## 8 Buitenbedrijfstelling

### 8.1 Product buiten bedrijf stellen

1. Schakel de stroomtoevoer van het elektrische verwarmingselement uit.
2. Koppel de stroomvoorziening los.
3. Maak de warmwaterboiler leeg.
4. Demonteer het verwarmingselement.
5. Monteer afdichting en deksel van de reinigungsopening.
6. Monteer de afdekking van de reinigungsopening.

### 8.2 Recycling en afvoer

#### Verpakking afvoeren

- ▶ Voer de verpakking reglementair af.
- ▶ Neem alle relevante voorschriften in acht.

## 9 Serviceteam

### 9.1 Serviceteam

De contactgegevens van ons serviceteam vindt u in de bijlage of op onze website.

## 10 Technische gegevens

	Elektrisch verwarmingselement 2 - 6 kW
Nominaal uitgangsvermogen	2; 4; 6 kW
Toegestane omgevingstemperatuur werking	0 ... 40 °C
Toegestane luchtvochtigheid in %	< 75 (langdurige bewaring); < 93 (tijdens het transport)
Aanbevolen max. waterhardheid drinkwater	≤ 14 °dH
Instelbereik temperatuur	28 ... 70 °C
Toegestane temperatuur wateropslag	7 ... 85 °C
Werktemperatuur warm water	65 °C
Max. boiler temperatuur drinkwater	≤ 95 °C
Max. werkdruk drinkwater	≤ 1 MPa (≤ 10 bar)
Thermale uitschakelbeveiliging droge werking	95 °C <sup>+8 K</sup>
Min. vorstbeveiliging temperatuur	≥ 7 °C
Max. temperatuur kop verwarmingselement	≤ 95 °C
Max. temperatuur oppervlak verwarmingselement	≤ 150 °C
Max. oppervlaktevermogen	max. 14,1 W/cm <sup>2</sup>
Inbrenglengte (dompeldiepte)	450 mm
Inbrengdiameter	≈ 36,5 mm
Diameter verwarmingselement	6,5 mm
Materiaal van de verwarmingselementen	2.4858 / Incoloy 825
Materiaal kop verwarmingselement	1.4404
Sleutelwijdte kop verwarmingselement	SW 60 mm
Schroefdraadaansluiting	G 1 1/2 B inch
Aanbevolen aanhaalmoment kop verwarmingselement	90 ... 100 Nm
Lengte kop verwarmingselement	≈ 160 mm
Materiaal aansluitbehuizing	PA6 GF30
Nettogewicht kop verwarmingselement	1,36 kg
Stroomvoorziening	1 N PE ~230 V AC/50 Hz 1x 16 A; 3 N PE ~400 V AC/50 Hz 3 x 16 A
Beschermingsklasse	IP54 (DIN EN 60529)
Elektrische beschermingsklasse	I
Overspanningscategorie	II

# Instrukcja obsługi

## Spis treści

<b>1</b>	<b>Bezpieczeństwo .....</b>	<b>126</b>
1.1	Ostrzeżenia związane z wykonywanymi czynnościami .....	126
1.2	Użytkowanie zgodne z przeznaczeniem .....	126
1.3	Ogólne wskazówki bezpieczeństwa .....	126
1.4	Przepisy (dyrektywy, ustawy, normy) .....	127
<b>2</b>	<b>Wskazówki dotyczące dokumentacji.....</b>	<b>128</b>
2.1	Przestrzegać dokumentacji dodatkowej .....	128
2.2	Przechowywanie dokumentów .....	128
2.3	Zakres stosowalności instrukcji .....	128
<b>3</b>	<b>Opis produktu.....</b>	<b>128</b>
3.1	Budowa produktu.....	128
3.2	Znak CE.....	128
<b>4</b>	<b>Eksploatacja.....</b>	<b>128</b>
4.1	Przegląd funkcji regulatora nastawczego .....	128
<b>5</b>	<b>Usuwanie usterek .....</b>	<b>129</b>
5.1	Rozpoznawanie i usuwanie usterek .....	129
<b>6</b>	<b>Pielęgnacja i konserwacja.....</b>	<b>129</b>
6.1	Pielęgnacja produktu .....	129
<b>7</b>	<b>Wycofanie z eksploatacji.....</b>	<b>129</b>
7.1	Okresowe wyłączenie produktu.....	129
7.2	Ostateczne wyłączenie produktu z eksploatacji .....	129
7.3	Recykling i usuwanie odpadów .....	129
<b>8</b>	<b>Gwarancja i serwis .....</b>	<b>129</b>
8.1	Gwarancja.....	129
8.2	Serwis techniczny .....	129

# 1 Bezpieczeństwo

## 1 Bezpieczeństwo

### 1.1 Ostrzeżenia związane z wykonywanymi czynnościami

#### Klasyfikacja ostrzeżeń dotyczących wykonywanych czynności

Ostrzeżenia dotyczące wykonywanych czynności są opatrzone następującymi znakami ostrzegawczymi i słowami ostrzegawczymi w zależności od wagi potencjalnego niebezpieczeństwa:

#### Znaki ostrzegawcze i słowa ostrzegawcze



##### Niebezpieczeństwo!

Bezpośrednie zagrożenie życia lub niebezpieczeństwo odniesienia poważnych obrażeń ciała



##### Niebezpieczeństwo!

Zagrożenie życia wskutek porażenia prądem elektrycznym



##### Ostrzeżenie!

Niebezpieczeństwo lekkich obrażeń ciała



##### Ostrożnie!

Ryzyko strat materialnych lub zanieczyszczenia środowiska naturalnego

### 1.2 Użytkowanie zgodne z przeznaczeniem

W przypadku niefachowego lub niezgodnego z przeznaczeniem zastosowania, mogą wystąpić niebezpieczeństwa dla zdrowia i życia użytkownika lub osób trzecich bądź zakłócenia działania produktu i inne szkody materialne.

Grzałka elektryczna służy do ogrzewania elementu gotowości zasobników c.w.u. VIH R 300 – 500 i VIH S 300 – 500. Jest w szczególności przystosowana jako ogrzewanie dodatkowe.

Użytkowanie zgodne z przeznaczeniem obejmuje:

- przestrzeganie dołączonych instrukcji obsługi produktu oraz wszystkich innych podzespołów instalacji
- przestrzeganie wszystkich warunków przeglądów i konserwacji wyszczególnionych w instrukcjach.

Niniejszy produkt może być używany przez dzieci od 8 lat oraz osoby o ograniczonych zdolnościach fizycznych, sensorycznych lub umysłowych lub o niewystarczającym doświadczeniu i wiedzy wyłącznie, jeżeli są one pod odpowiednią opieką lub zostały pouczone w zakresie bezpiecznej obsługi produktu i rozumieją związane z nim niebezpieczeństwa. Dzieciom nie wolno bawić się produktem. Dzieci bez opieki nie mogą czyścić ani konserwować urządzenia.

Zastosowanie inne od opisanego w niniejszej instrukcji lub wykraczające poza opisany zakres jest niezgodne z przeznaczeniem. Niezgodne z przeznaczeniem jest również każde bezpośrednie zastosowanie w celach komercyjnych lub przemysłowych.

#### Uwaga!

Zabrania się wszelkiego użytkowania niezgodnego z przeznaczeniem.

### 1.3 Ogólne wskazówki bezpieczeństwa

#### 1.3.1 Niebezpieczeństwo związane z nieprawidłową obsługą

Nieprawidłowa obsługa powoduje zagrożenia dla użytkownika oraz innych osób, a także może doprowadzić do strat materialnych.

- ▶ Należy dokładnie przeczytać niniejszą instrukcję oraz wszystkie dokumenty dodatkowe, w szczególności rozdział „Bezpieczeństwo” i wskazówki ostrzegawcze.
- ▶ Należy wykonać te czynności, które są opisane w niniejszej instrukcji obsługi.

#### 1.3.2 Ryzyko szkód materialnych spowodowane przez mróz

- ▶ Należy zadbać, aby instalacja grzewcza na wypadek mrozu zawsze była włączona i aby była zapewniona odpowiednia temperatura we wszystkich pomieszczeniach.
- ▶ Jeżeli nie można zagwarantować prawidłowej eksploatacji, należy zlecić instalatorowi opróżnienie instalacji grzewczej.

#### 1.3.3 Zagrożenie życia wskutek wprowadzenia zmian w produkcie lub jego otoczeniu

- ▶ Nigdy nie usuwać, mostkować ani blokować urządzeń zabezpieczających.



- ▶ Nie manipulować przy urządzeniach zabezpieczających.
- ▶ Nie niszczyć elementów ani nie usuwać z nich plomb.
- ▶ Nie wprowadzać żadnych zmian:
  - przy produkcji
  - na przewodach doprowadzających wodę i prąd
  - przy zaworze bezpieczeństwa
  - przy przewodach odpływowych
  - przy częściach budynków, które mogą mieć wpływ na bezpieczeństwo eksploatacji produktu

### **1.3.4 Niebezpieczeństwo obrażeń ciała i ryzyko strat materialnych w wyniku nieprawidłowej konserwacji i naprawy bądź ich zaniechania.**

- ▶ Nigdy nie przeprowadzać samodzielnie prac konserwacyjnych lub napraw przy produkcji.
- ▶ Zlecić instalatorowi usunięcie usterek i uszkodzeń.
- ▶ Przestrzegać przepisowych cykli konserwacji.

### **1.4 Przepisy (dyrektywy, ustawy, normy)**

- ▶ Przestrzegać krajowych przepisów, norm, dyrektyw i ustaw.

## 2 Wskazówki dotyczące dokumentacji

### 2 Wskazówki dotyczące dokumentacji

#### 2.1 Przestrzegać dokumentacji dodatkowej

- ▶ Bezwzględnie przestrzegać wszystkich instrukcji obsługi dołączonych do podzespołów układu.

#### 2.2 Przechowywanie dokumentów

- ▶ Zachować niniejszą instrukcję oraz wszystkie dokumenty dodatkowe do późniejszego wykorzystania.

#### 2.3 Zakres stosowalności instrukcji

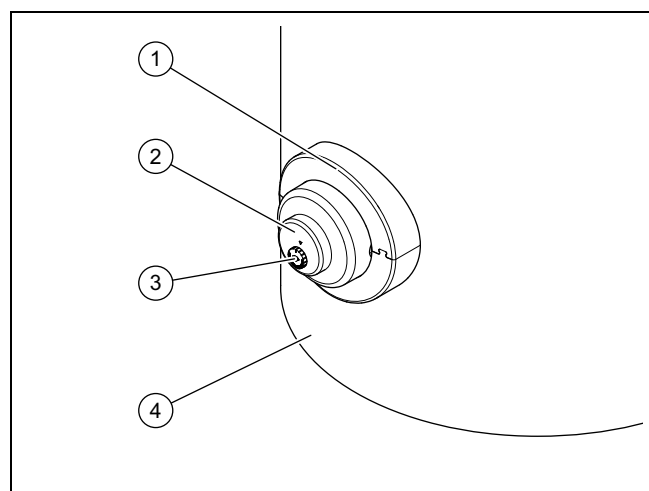
Niniejsza instrukcja dotyczy wyłącznie:

##### Produkt - numer artykułu

Czy jest	0020230734
----------	------------

## 3 Opis produktu

### 3.1 Budowa produktu



- |  |  |
|--|--|
| 1 Tabliczka znamionowa (pod pokryciem) | 3 Regulator nastawczy temperatury ciepłej wody |
| 2 Czy jest                             | 4 Zasobnik                                     |

### 3.2 Znak CE



Oznaczenie CE dokumentuje, że produkty zgodne z etykietą spełniają podstawowe wymagania właściwych dyrektyw.

Deklaracja zgodności jest dostępna do wglądu u producenta.

## 4 Eksploatacja

### 4.1 Przegląd funkcji regulatora nastawczego

Położenie regulatora nastawczego	Działanie
	wyłączona
	Ochrona przed zamarzaniem
	Temperatura wody ok. 40°C
	Temperatura wody ok. 60°C
	Temperatura wody ok. 70°C
	Działanie zwykłe Temperatura wody ok. 65°C

## 5 Usuwanie usterek

### 5.1 Rozpoznawanie i usuwanie usterek

**Warunki:** Temperatura ciepłej wody nie osiąga ustawionej temperatury

- ▶ Mógł zadziałać ogranicznik przegrzewu STB. Powiadomić instalatora.

## 6 Pielęgnacja i konserwacja

### 6.1 Pielęgnacja produktu



#### Ostrożnie!

**Ryzyko szkód materialnych spowodowane przez niewłaściwe środki czyszczące!**

- ▶ Nie stosować środków w aerozolu, środków rysujących powierzchnię, płynów do mycia naczyń ani środków czyszczących zawierających rozpuszczalniki lub chlor.
- 
- ▶ Obudowę czyścić wyłącznie za pomocą wilgotnej szmatki oraz niewielkiej ilości mydła niezawierającego rozpuszczalników.

## 7 Wycofanie z eksploatacji

### 7.1 Okresowe wyłączenie produktu

1. Ustawić regulator nastawczy w położeniu „WYŁ”.
2. Upewnić się, że zapewniona jest dostateczna ochrona przed zamarzaniem.

### 7.2 Ostateczne wyłączenie produktu z eksploatacji

- ▶ Zlecić instalatorowi ostateczne wyłączenie produktu z eksploatacji.

### 7.3 Recykling i usuwanie odpadów



Jeśli produkt jest oznaczony tym znakiem:

- ▶ W tym przypadku nie wolno utylizować produktu z odpadami domowymi.
- ▶ Produkt należy natomiast przekazać do punktu zbiórki starych urządzeń elektrycznych i elektronicznych.



Jeżeli produkt zawiera baterie, które są oznaczone tym znakiem, to jest to sygnał, że baterie mogą zawierać substancje zagrażające zdrowiu i środowisku.

- ▶ W takiej sytuacji należy utylizować baterie w punkcie zbiórki baterii.

## 8 Gwarancja i serwis

### 8.1 Gwarancja

Informacje dotyczące gwarancji producenta można uzyskać, zwracając się pod adres kontaktowy – w załączniku.

### 8.2 Serwis techniczny

Dane kontaktowe naszego serwisu podane są w załączniku lub na naszej stronie internetowej.

# Spis treści

## Instrukcja instalacji

### Spis treści

<b>1</b>	<b>Bezpieczeństwo .....</b>	<b>131</b>
1.1	Ostrzeżenia związane z wykonywanymi czynnościami .....	131
1.2	Użytkowanie zgodne z przeznaczeniem .....	131
1.3	Ogólne wskazówki bezpieczeństwa .....	131
1.4	Przepisy (dyrektywy, ustawy, normy) .....	132
<b>2</b>	<b>Wskazówki dotyczące dokumentacji.....</b>	<b>133</b>
2.1	Przestrzegać dokumentacji dodatkowej .....	133
2.2	Przechowywanie dokumentów .....	133
2.3	Zakres stosowalności instrukcji .....	133
<b>3</b>	<b>Opis produktu.....</b>	<b>133</b>
3.1	Budowa produktu.....	133
3.2	Znak CE.....	133
<b>4</b>	<b>Montaż .....</b>	<b>133</b>
4.1	Sprawdzanie zakresu dostawy .....	133
<b>5</b>	<b>Instalacja .....</b>	<b>133</b>
5.1	Demontaż otworu rewizyjnego .....	134
5.2	Montaż grzałki elektrycznej .....	134
5.3	Podłączanie zasilania elektrycznego.....	134
5.4	Podłączenie elektryczne .....	134
<b>6</b>	<b>Uruchomienie .....</b>	<b>135</b>
6.1	Uruchamianie grzałki elektrycznej .....	135
<b>7</b>	<b>Usuwanie usterek .....</b>	<b>135</b>
7.1	Funkcja ogranicznika przegrzewu STB .....	135
7.2	Odblokowanie ogranicznika temperatury po zadziałaniu .....	135
<b>8</b>	<b>Wycofanie z eksploatacji.....</b>	<b>136</b>
8.1	Wycofanie produktu z eksploatacji .....	136
8.2	Recykling i usuwanie odpadów .....	136
<b>9</b>	<b>Serwis techniczny .....</b>	<b>136</b>
9.1	Serwis techniczny .....	136
<b>10</b>	<b>Dane techniczne .....</b>	<b>136</b>

## 1 Bezpieczeństwo

### 1.1 Ostrzeżenia związane z wykonywanymi czynnościami

#### Klasyfikacja ostrzeżeń dotyczących wykonywanych czynności

Ostrzeżenia dotyczące wykonywanych czynności są opatrzone następującymi znakami ostrzegawczymi i słowami ostrzegawczymi w zależności od wagi potencjalnego niebezpieczeństwa:

#### Znaki ostrzegawcze i słowa ostrzegawcze



##### Niebezpieczeństwo!

Bezpośrednie zagrożenie życia lub niebezpieczeństwo odniesienia poważnych obrażeń ciała



##### Niebezpieczeństwo!

Niebezpieczeństwo porażenia prądem



##### Ostrzeżenie!

Niebezpieczeństwo lekkich obrażeń ciała



##### Ostrożnie!

Ryzyko strat materialnych lub zanieczyszczenia środowiska naturalnego

### 1.2 Użytkowanie zgodne z przeznaczeniem

W przypadku niefachowego lub niezgodnego z przeznaczeniem zastosowania, mogą wystąpić niebezpieczeństwa dla zdrowia i życia użytkownika lub osób trzecich bądź zakłócenia działania produktu i inne szkody materialne.

Grzałka elektryczna służy do ogrzewania elementu gotowości zasobników c.w.u. VIH R 300 – 500 i VIH S 300 – 500. Jest w szczególności przystosowana jako ogrzewanie dodatkowe.

Użytkowanie zgodne z przeznaczeniem obejmuje:

- przestrzeganie dołączonych instrukcji obsługi, instalacji i konserwacji produktu oraz wszystkich innych podzespołów układu
- instalację i montaż w sposób zgodny z dopuszczeniem do eksploatacji produktu i systemu

- przestrzeganie wszystkich warunków przeglądów i konserwacji wyszczególnionych w instrukcjach.

Zastosowanie zgodne z przeznaczeniem obejmuje ponadto instalację zgodnie z klasą IP.

Zastosowanie inne od opisanego w niniejszej instrukcji lub wykraczające poza opisany zakres jest niezgodne z przeznaczeniem. Niezgodne z przeznaczeniem jest również każde bezpośrednie zastosowanie w celach komercyjnych lub przemysłowych.

#### Uwaga!

Zabrania się wszelkiego użytkowania niezgodnego z przeznaczeniem.

### 1.3 Ogólne wskazówki bezpieczeństwa

#### 1.3.1 Niebezpieczeństwo związane z niewystarczającymi kwalifikacjami

**Zakres stosowalności:** Nie w Rosji

Poniższe prace mogą wykonywać tylko instalatorzy posiadające odpowiednie kwalifikacje:

**Zakres stosowalności:** Rosja

Poniższe prace mogą wykonywać tylko certyfikowani instalatorzy Vaillant posiadający odpowiednie kwalifikacje:

- Montaż
- Demontaż
- Instalacja
- Uruchomienie
- Przegląd i konserwacja
- Naprawa
- Wycofanie z eksploatacji
- ▶ Należy przestrzegać instrukcji dołączonych do produktu.
- ▶ Postępować zgodnie z aktualnym stanem techniki.
- ▶ Przestrzegać wszystkich właściwych dyrektyw, norm, praw i innych przepisów.

#### 1.3.2 Niebezpieczeństwo porażenia prądem

W przypadku dotknięcia podzespołów będących pod napięciem, występuje niebezpieczeństwo porażenia prądem.

Zanim rozpocznie się pracę przy produkcie:

# 1 Bezpieczeństwo

- ▶ Odłączyć produkt od napięcia poprzez wyłączenie wszystkich zasilających elektrycznych na wszystkich biegunach (wyłącznik elektryczny z przerwą między stykami minimum 3 mm, np. bezpiecznik lub wyłącznik zabezpieczenia linii).
- ▶ Zabezpieczyć przed ponownym włączeniem.
- ▶ Sprawdzić skuteczność odłączenia od napięcia.

## 1.3.3 Ryzyko szkód materialnych spowodowane przez mróz

- ▶ Instalować produkt w pomieszczeniach w których zawsze panują dodatnie temperatury.

## 1.3.4 Niebezpieczeństwo oparzenia wskutek kontaktu z gorącymi częściami lub oparzenia parą

- ▶ Prace na tych częściach instalacji można przeprowadzać dopiero po ich przestygnięciu.

## 1.3.5 Ryzyko szkód materialnych spowodowane stosowaniem niewłaściwych narzędzi.

- ▶ W celu dokręcenia lub odkręcenia śrubunków prosimy stosować specjalistyczne narzędzie.

## 1.3.6 Zagrożenie życia wskutek braku urządzeń zabezpieczających

Schematy zawarte w niniejszym dokumencie nie zawierają wszystkich urządzeń zabezpieczających potrzebnych do fachowej instalacji.

- ▶ Zamontować w instalacji niezbędne urządzenia zabezpieczające.
- ▶ Przestrzegać obowiązujących krajowych i międzynarodowych ustaw, norm i dyrektyw.

## 1.4 Przepisy (dyrektywy, ustawy, normy)

- ▶ Przestrzegać krajowych przepisów, norm, dyrektyw i ustaw.

## 2 Wskazówki dotyczące dokumentacji

### 2.1 Przestrzegać dokumentacji dodatkowej

- ▶ Bezwzględnie przestrzegać wszystkich instrukcji obsługi i instalacji dołączonych do podzespołów układu.

### 2.2 Przechowywanie dokumentów

- ▶ Należy przekazać niniejszą instrukcję oraz wszystkie dołączone dokumenty użytkownikowi instalacji.

### 2.3 Zakres stosowalności instrukcji

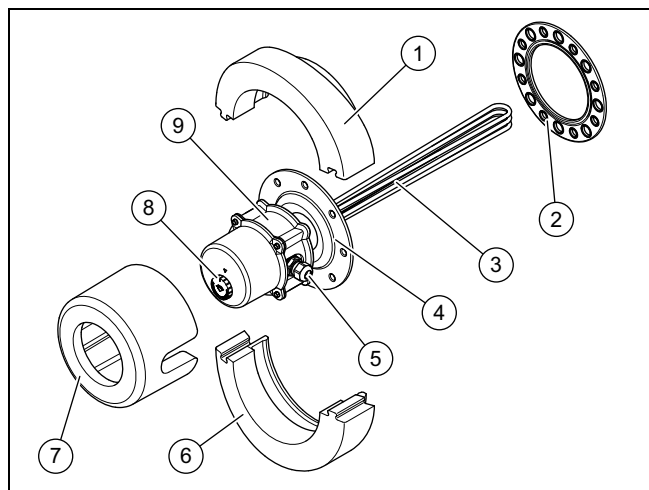
Niniejsza instrukcja dotyczy wyłącznie:

#### Produkt - numer artykułu

Czy jest	0020230734
----------	------------

## 3 Opis produktu

### 3.1 Budowa produktu



- |  |  |
|--|--|
| 1 Element uszczelniający górnego półpierscienia                      | 5 Połączenie śrubowe PG do przyłącza elektrycznego   |
| 2 Uszczelka otworu rewizyjnego                                       | 6 Element uszczelniający dolnego półpierscienia      |
| 3 Grzałki elektryczne  | 7 Tuleja uszczelniająca головки grzałki elektrycznej |
| 4 Kolnierz redukcyjny, wstępnie zamontowany z uszczelką do łba śruby | 8 Regulator nastawczy                                |
|  | 9 Tabliczka znamionowa                               |

### 3.2 Znak CE



Oznaczenie CE dokumentuje, że produkty zgodne z etykietą spełniają podstawowe wymagania właściwych dyrektyw.

Deklaracja zgodności jest dostępna do wglądu u producenta.

## 4 Montaż

### 4.1 Sprawdzanie zakresu dostawy

- ▶ Sprawdzić, czy dostawa jest kompletna i nienaruszona.

Ilość	Nazwa
1	Czy jest
1	Kolnierz redukcyjny
1	Uszczelka otworu rewizyjnego
1	Instrukcja instalacji i obsługi

## 5 Instalacja



### Ostrożnie!

**Niebezpieczeństwo szkód materialnych spowodowane korozją i zwarciem z powodu braku uziemienia**

Po włożeniu grzałki elektrycznej do zasobnika, z powodu napięcia zewnętrznego w wodzie może utworzyć się potencjał elektryczny, powodujący korozję elektrochemiczną grzałki elektrycznej.

- ▶ Należy zadbać, aby rury z ciepłą wodą oraz rury z zimną wodą były podłączane bezpośrednio do zasobnika przy pomocy kabla uziemiającego podłączonego do głównej szyny uziemienia.
- ▶ Ponadto należy zadbać, aby zarówno zacisk uziemiający, jak i grzałka elektryczna były podłączone do głównej szyny uziemienia.

Instalację elektryczną może wykonywać tylko elektryk ze specjalnymi uprawnieniami i doświadczeniem.

Grzałkę elektryczną wolno montować tylko w poziomie. Montaż w pionie jest niedozwolony.

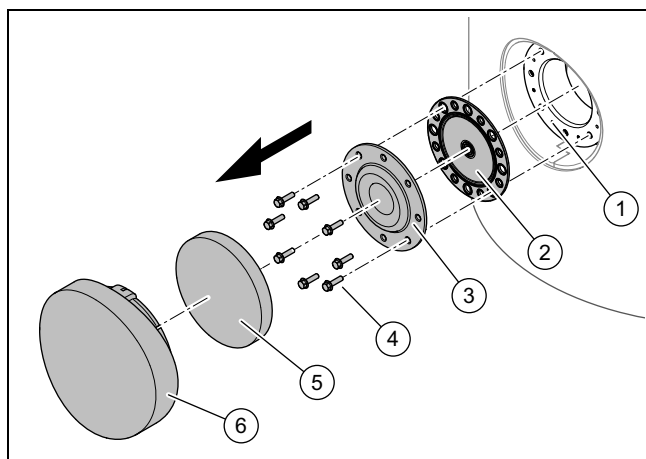
Do podłączenia elektrycznego należy użyć kabla przyłącza sieci dopuszczalnego do temperatury 80°C.

Przed uruchomieniem grzałki elektrycznej upewnić się, że zasobnik c.w.u. jest napełniony.

Für den Erhalt der langjährigen Funktionsfähigkeit des Elektroheizstabs wird folgende Mindestqualität des Frischwassers empfohlen: Chlorid-Gehalt < 120 mg/l, Wasserhärte < 2,4965 mmol/l (< 14°dH; < 24,987°FH; < 140 mg CaCO<sub>3</sub>/l; < 249,87 mg CaCO<sub>3</sub>/l; < 249,87 ppm (mg CaCO<sub>3</sub>/l)). Jeżeli twardość wody jest większa, zaleca się stosowanie urządzenia do zmiękczenia wody!

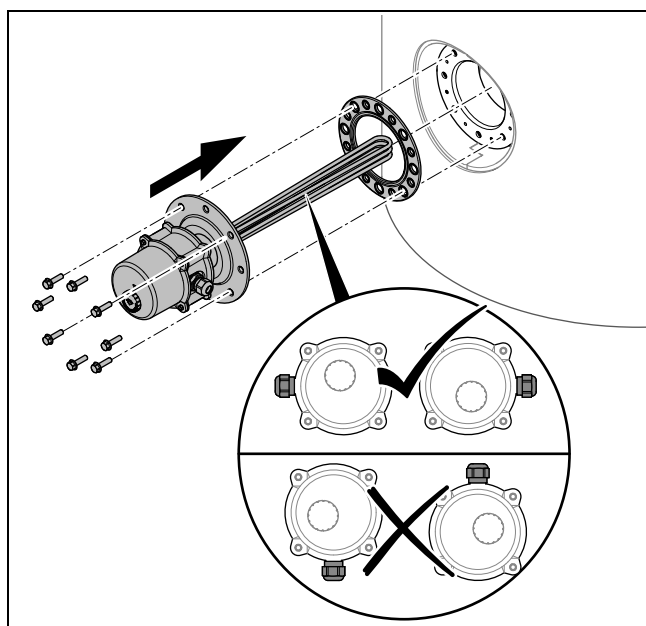
## 5 Instalacja

### 5.1 Demontaż otworu rewizyjnego



1. W razie potrzeby odłączyć zasobnik c.w.u. od napięcia.
2. Opróżnić zasobnik ciepłej wody użytkowej.
3. Wyjąć elementy uszczelniające (5) i (6).
4. Wykręcić śruby (4) mocujące pokrywę (3) otworu rewizyjnego (1).
5. Zdjąć pokrywę i uszczelkę (2).

### 5.2 Montaż grzałki elektrycznej



1. Do otworu rewizyjnego należy użyć dostarczonej nowej uszczelki.



#### Niebezpieczeństwo!

#### Niebezpieczeństwo szkód materialnych z powodu zbyt mocnego przekręcenia gwintu

Kołnierz redukcyjny jest wstępnie zamontowany na gwincie grzałki elektrycznej z określonym momentem obrotowym, dzięki czemu szablon wierconych otworów i grzałki elektryczne znajdują się w idealnym położeniu względem siebie. Jeżeli kołnierz redukcyjny zostanie mocniej dokręcony na gwincie grzałki elektrycznej, może dojść do uszkodzenia gwintu.

- ▶ Zamontować grzałkę elektryczną z zamontowanym wstępnie kołnierzem redukcyjnym tak jak została dostarczona.

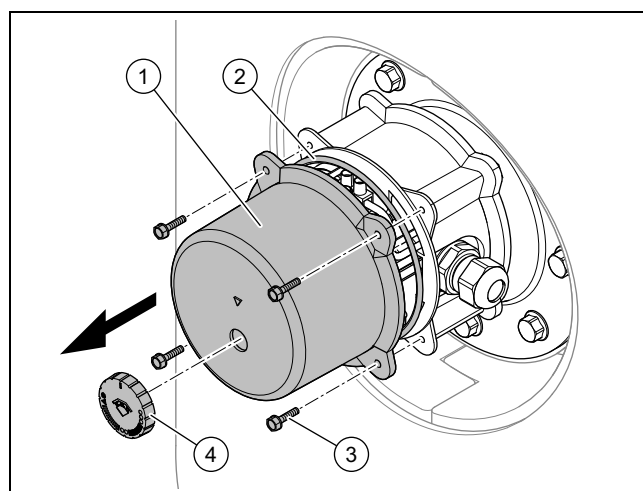
2. Zamontować grzałkę elektryczną tak jak pokazano.
3. Dokręcić na krzyż śruby na kołnierzu redukcyjnym.

### 5.3 Podłączanie zasilania elektrycznego

Zewnętrzny kabel przyłącza sieci musi być uziemiony, mieć prawidłową biegunowość i zostać podłączony zgodnie z obowiązującymi przepisami.

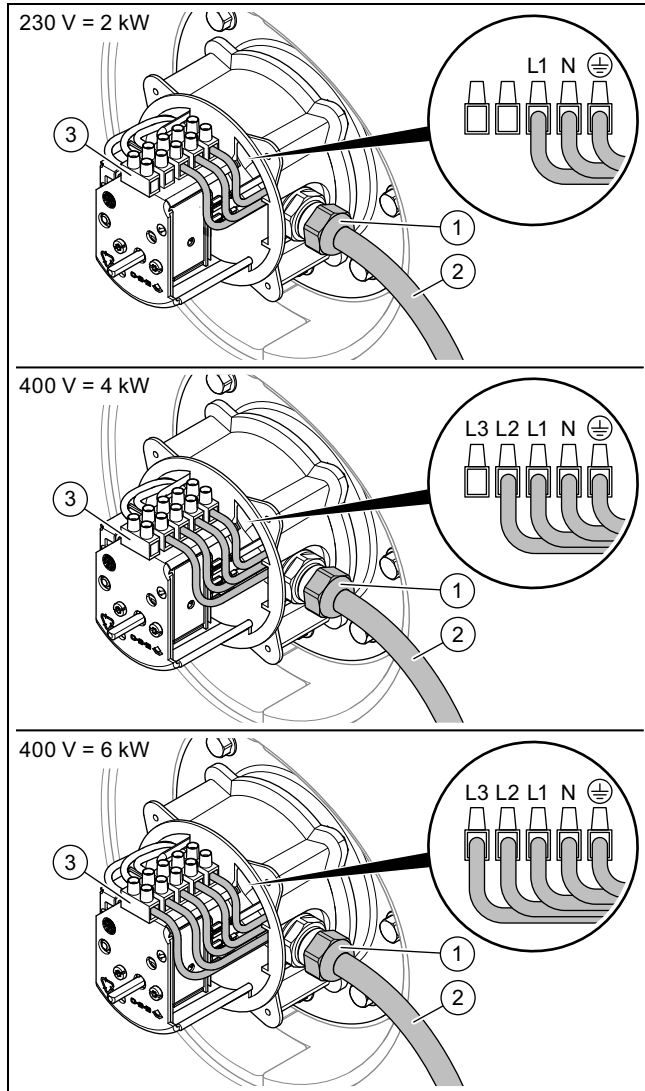
- ▶ W przypadku okablowanego na stałe przyłącza sieciowego należy instalować urządzenie oddzielające od zasilania sieciowego z wszystkimi biegunami przy szerokości rozwarcia zestyków min. 3 mm na jeden biegun (np. bezpieczniki lub przełączniki mocy).

### 5.4 Podłączenie elektryczne



1. Wyciągnąć pokrętło z regulatora nastawczego (4).
2. Wykręcić cztery śruby sześciokątne (3).
3. Zdjąć obudowę przyłączeniową (1) i uszczelkę (2).



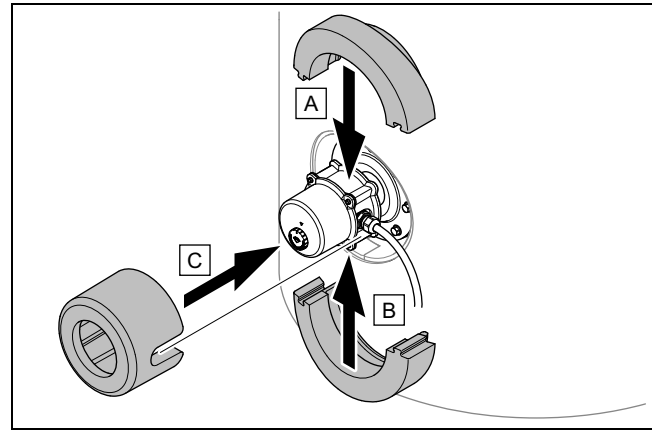


4. Wsunąć kabel (2) przez otwór przyłącza sieciowego w obudowę i zabezpieczyć połączeniem śrubowym (1).  
– Zalecany moment dokręcenia:  $\leq 6,0$  Nm
5. Podłączyć żyły do listwy zaciskowej (3).
6. Założyć uszczelkę i obudowę przyłączeniową oraz wkręcić cztery śruby sześciokątne.  
– Zalecany moment dokręcenia:  $\leq 1,9$  Nm
7. Założyć pokrętko na regulator nastawczy.

## 6 Uruchomienie

### 6.1 Uruchamianie grzałki elektrycznej

1. Napełnić zasobnik c.w.u.
2. Sprawdzić otwór rewizyjny pod kątem szczelności.



3. Zamontować elementy uszczelniające.
4. Włączyć zasilanie elektryczne.
5. Stellen Sie mit dem Stellrad die Temperatur ein, auf die der Elektroheizstab aufheizen soll.

## 7 Usuwanie usterek

### 7.1 Funkcja ogranicznika przegrzewu STB

Jeśli temperatura wody w zasobniku wzrośnie do ponad  $95^{\circ}\text{C}$ , ogranicznik przegrzewu STB na grzałce elektrycznej odłączy dopływ napięcia.

### 7.2 Odblokowanie ogranicznika temperatury po zadziałaniu



#### Ostrożnie!

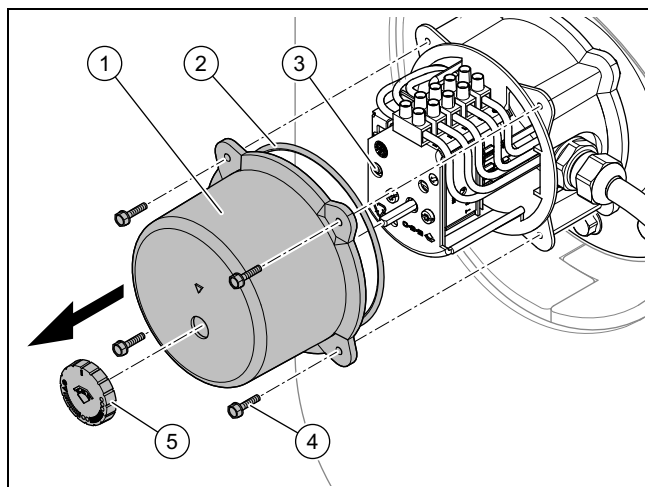
#### Ryzyko szkód materialnych spowodowane przegrzaniem!

Jeśli usterka, która spowodowała wyłączenie produktu, nie zostanie usunięta, może dojść do uszkodzeń produktu.

- Ogranicznik przegrzewu STB należy włączyć ponownie dopiero po usunięciu przyczyny usterki, która spowodowała zadziałanie ogranicznika przegrzewu STB.

1. Wyłączyć zasilanie elektryczne.
2. Zdemontować elementy uszczelniające z grzałki elektrycznej.

## 8 Wycofanie z eksploatacji



3. Wyciągnąć pokrętkę z regulatora nastawczego (5).
4. Wykręcić cztery śruby sześciokątne (4).
5. Zdjąć obudowę przyłączeniową (1) i uszczelkę (2).
6. Wcisnąć przycisk odblokowania ogranicznika przegrzewu STB (3).
7. Założyć uszczelkę i obudowę przyłączeniową oraz wkręcić cztery śruby sześciokątne.
8. Założyć pokrętkę na regulator nastawczy.
9. Zamontować elementy uszczelniające.
10. Włączyć zasilanie elektryczne.

## 8 Wycofanie z eksploatacji

### 8.1 Wycofanie produktu z eksploatacji

1. Wyłączyć zasilanie grzałki elektrycznej.
2. Odłączyć zasilanie.
3. Opróżnić zasobnik ciepłej wody użytkowej.
4. Zdemontować grzałkę elektryczną.
5. Zamontować uszczelkę i pokrywę otworu rewizyjnego.
6. Zamontować pokrycie otworu rewizyjnego.

### 8.2 Recykling i usuwanie odpadów

#### Usuwanie opakowania

- ▶ Zutyliżować opakowania transportowe w sposób prawidłowy.
- ▶ Przestrzegać wszystkich odnośnych przepisów.

## 9 Serwis techniczny

### 9.1 Serwis techniczny

Dane kontaktowe naszego serwisu podane są w załączniku lub na naszej stronie internetowej.

## 10 Dane techniczne

	grzałka elektryczna 2–6 kW
znamionowa moc wyjściowa	2; 4; 6 kW
Dopuszczalna temperatura otoczenia podczas eksploatacji	0 ... 40 °C
Dozwolona wilgotność powietrza w %	< 75 (długie przechowywanie); < 93 (w czasie transportu)
zalecana maks. twardość wody pitnej	≤ 14 °dH
Zakres ustawień temperatury	28 ... 70 °C
Dozwolona temperatura gromadzonej wody	7 ... 85 °C
Temperatura pracy ciepłej wody	65 °C
Maks. temperatura zasobnika wody pitnej	≤ 95 °C
Maks. ciśnienie robocze wody pitnej	≤ 1 MPa (≤ 10 bar)
Termiczna ochrona wyłączenia w trybie pracy na sucho	95 °C <sup>+8 K</sup>
Min. temperatura ochrony przed zamrażaniem	≥ 7 °C
Maks. temperatura główki grzałki elektrycznej	≤ 95 °C
Maks. temperatura powierzchni grzałki elektrycznej	≤ 150 °C
maks. moc powierzchniowa	maks. 14,1 W/cm <sup>3</sup>
Długość wprowadzania (głębokość zanurzenia)	450 mm
Średnica wprowadzania	≈ 36,5 mm
Średnica grzałki elektrycznej	6,5 mm
materiał grzałek elektrycznych	2.4858 / Incoloy 825
materiał główki grzałki elektrycznej	1.4404
Rozwartość klucza główka grzałki elektrycznej	Rozw. klucza 60 mm
Przyłącze gwintowane	G 1 1/2 B cala
Zalecany moment dokręcenia główki grzałki elektrycznej	90 ... 100 Nm
Długość główki grzałki elektrycznej	≈ 160 mm
materiał obudowy przyłączeniowej	PA6 GF30
Ciężar netto główki grzałki elektrycznej	1,36 kg
Zasilanie elektryczne	1 N PE ~230 V AC/50 Hz 1x 16 A; 3 N PE ~400 V AC/50 Hz 3 x 16 A
Stopień ochrony	IP54 (DIN EN 60529)
Elektryczna klasa ochrony	I
Kategoria przepięciowa	II

## Руководство по эксплуатации

### Содержание

<b>1</b>	<b>Безопасность .....</b>	<b>138</b>
1.1	Относящиеся к действию предупредительные указания.....	138
1.2	Использование по назначению.....	138
1.3	Общие указания по технике безопасности ....	138
1.4	Предписания (директивы, законы, стандарты).....	139
<b>2</b>	<b>Указания по документации .....</b>	<b>140</b>
2.1	Соблюдение совместно действующей документации .....	140
2.2	Хранение документации.....	140
2.3	Действительность руководства .....	140
<b>3</b>	<b>Описание изделия.....</b>	<b>140</b>
3.1	Конструкция изделия .....	140
3.2	Маркировка CE.....	140
<b>4</b>	<b>Эксплуатация.....</b>	<b>140</b>
4.1	Обзор функций установочного регулятора .....	140
<b>5</b>	<b>Устранение неполадок.....</b>	<b>141</b>
5.1	Распознавание и устранение неполадок .....	141
<b>6</b>	<b>Уход и техобслуживание .....</b>	<b>141</b>
6.1	Уход за изделием.....	141
<b>7</b>	<b>Вывод из эксплуатации.....</b>	<b>141</b>
7.1	Временный вывод изделия из эксплуатации .....	141
7.2	Окончательный вывод изделия из эксплуатации .....	141
7.3	Переработка и утилизация.....	141
<b>8</b>	<b>Гарантия и сервисное обслуживание .....</b>	<b>141</b>
8.1	Гарантия .....	141
8.2	Сервисная служба .....	141

# 1 Безопасность

## 1 Безопасность

### 1.1 Относящиеся к действию предупредительные указания

#### Классификация относящихся к действию предупредительных указаний

Относящиеся к действию предупредительные указания классифицированы по степени возможной опасности с помощью предупредительных знаков и сигнальных слов следующим образом:

#### Предупредительные знаки и сигнальные слова



##### Опасность!

Непосредственная опасность для жизни или опасность тяжёлых травм



##### Опасность!

Опасность для жизни в результате поражения электрическим током



##### Предупреждение!

Опасность незначительных травм



##### Осторожно!

Риск материального ущерба или нанесения вреда окружающей среде

### 1.2 Использование по назначению

В случае ненадлежащего использования или использования не по назначению возможна опасность для здоровья и жизни пользователя или третьих лиц, а также опасность нанесения ущерба изделию и другим материальным ценностям.

ТЭН используется для нагрева участка готовности VIH R 300 - 500 и VIH S 300 - 500. Он предназначен специально для дополнительного нагрева.

Использование по назначению подразумевает:

- соблюдение прилагаемых руководств по эксплуатации изделия, а также всех прочих компонентов системы
- соблюдение всех приведенных в руководствах условий выполнения осмотров и техобслуживания.

Данным изделием могут пользоваться дети от 8 лет и старше, а также лица с

ограниченными физическими, сенсорными или умственными способностями или не обладающие соответствующим опытом и знаниями, если они находятся под присмотром или были проинструктированы относительно безопасного использования изделия и осознают опасности, которые могут возникнуть при несоблюдении определенных правил. Детям запрещено играть с изделием. Детям запрещается выполнять очистку и пользовательское обслуживание, если они не находятся под присмотром.

Иное использование, нежели описанное в данном руководстве, или использование, выходящее за рамки описанного здесь использования, считается использованием не по назначению. Использованием не по назначению считается также любое непосредственное применение в коммерческих и промышленных целях.

#### Внимание!

Любое неправильное использование запрещено.

### 1.3 Общие указания по технике безопасности

#### 1.3.1 Опасность вследствие неправильного управления

Неправильные действия при управлении изделием могут подвергнуть опасности вас и других людей и причинить материальный ущерб.

- ▶ Внимательно прочтите данное руководство и всю дополнительную документацию, особенно главу «Безопасность» и предупреждающие указания.
- ▶ Выполняйте только те действия, которые предписываются данным руководством по эксплуатации.

#### 1.3.2 Риск материального ущерба из-за мороза

- ▶ Убедитесь, что в период морозов система отопления эксплуатируется и во всех помещениях обеспечивается достаточная температура воздуха.
- ▶ Если вам не удастся обеспечить эксплуатацию, попросите специалиста опорожнить систему отопления.

### **1.3.3 Опасность для жизни вследствие модифицирования изделия или деталей рядом с ним**

- ▶ Ни в коем случае не снимайте, не шунтируйте и не блокируйте защитные устройства.
- ▶ Не выполняйте манипуляций с защитными устройствами.
- ▶ Не нарушайте целостность и не удаляйте пломбы с компонентов.
- ▶ Не предпринимайте изменения следующих элементов:
  - на изделии
  - на водопроводных трубах и проводах
  - предохранительный клапан
  - сливные трубопроводы
  - строительные конструкции, которые могут повлиять на эксплуатационную безопасность изделия

### **1.3.4 Опасность травмирования и риск материального ущерба из-за неправильного выполнения или невыполнения технического обслуживания и ремонта.**

- ▶ Никогда не пытайтесь самостоятельно выполнить работы по ремонту или техническому обслуживанию изделия.
- ▶ Незамедлительно вызовите специалиста для устранения неисправностей и повреждений.
- ▶ Соблюдайте заданные межсервисные интервалы.

## **1.4 Предписания (директивы, законы, стандарты)**

- ▶ Соблюдайте национальные предписания, стандарты, директивы и законы.

## 2 Указания по документации

### 2 Указания по документации

#### 2.1 Соблюдение совместно действующей документации

- ▶ Обязательно соблюдайте все руководства по эксплуатации, прилагающиеся к компонентам системы.

#### 2.2 Хранение документации

- ▶ Храните данное руководство, а также всю совместно действующую документацию для дальнейшего использования.

#### 2.3 Действительность руководства

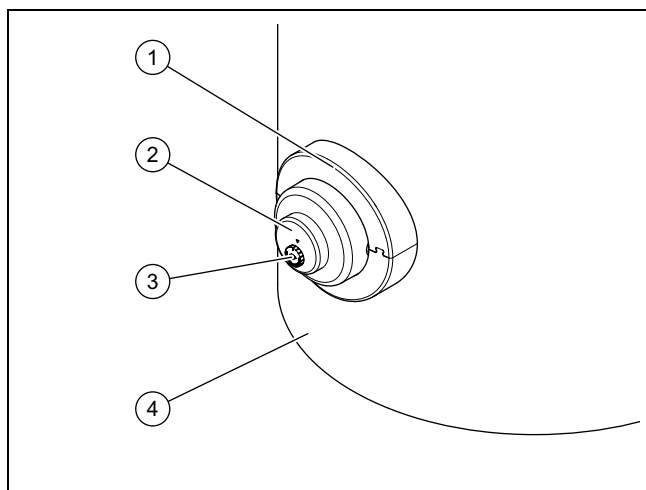
Действие настоящего руководства распространяется исключительно на:

Изделие - артикульный номер

ТЭН	0020230734
-----	------------

## 3 Описание изделия

### 3.1 Конструкция изделия



- |   |                                      |   |   |
|---|--------------------------------------|---|---|
| 1 | Маркировочная табличка (под крышкой) | 3 | Установочный регулятор температуры горячей воды |
| 2 | ТЭН                                  | 4 | Водонагреватель                                 |

### 3.2 Маркировка CE



Маркировка CE документально подтверждает соответствие характеристик изделий, указанных на маркировочной табличке, основным требованиям соответствующих директив.

С заявлением о соответствии можно ознакомиться у изготовителя.

## 4 Эксплуатация

### 4.1 Обзор функций установочного регулятора

Положение установочного регулятора	Функция
	Выкл
	Защита от замерзания
	Температура воды прим. 40 °C
	Температура воды прим. 60 °C
	Температура воды прим. 70 °C
	Нормальный режим эксплуатации Температура воды прим. 65 °C

## 5 Устранение неполадок

### 5.1 Распознавание и устранение неполадок

**Условия:** Температура горячей воды не достигает заданного значения

- ▶ Возможно, сработал предохранительный ограничитель температуры. Известите специалиста.

## 6 Уход и техобслуживание

### 6.1 Уход за изделием



#### **Осторожно!**

**Риск повреждения оборудования из-за применения непригодных чистящих средств!**

- ▶ Не используйте аэрозоли, абразивные средства, моющие средства, содержащие растворители или хлор чистящие средства.
- 
- ▶ Очищайте облицовку влажной тряпкой с небольшим количеством не содержащего растворителей мыла.

## 7 Вывод из эксплуатации

### 7.1 Временный вывод изделия из эксплуатации

1. Переведите установочный регулятор в положение «ВЫКЛ».
2. Убедитесь в достаточности защиты от замерзания.

### 7.2 Окончательный вывод изделия из эксплуатации

- ▶ Поручите специалисту окончательно вывести изделие из эксплуатации.

### 7.3 Переработка и утилизация



Если изделие маркировано этим знаком:

- ▶ В этом случае не утилизируйте изделие вместе с бытовыми отходами.
- ▶ Вместо этого сдайте изделие в пункт приёма старой бытовой техники или электроники.



Если в изделии есть батарейки, маркированные этим знаком, то они могут содержать вредные для здоровья и окружающей среды вещества.

- ▶ В этом случае утилизируйте батарейки в пункте приёма использованных батареек.

## 8 Гарантия и сервисное обслуживание

### 8.1 Гарантия

Информацию по гарантии производителя вы можете получить, обратившись по контактному адресу, указанному в Приложении.

### 8.2 Сервисная служба

Контактные данные нашей сервисной службы см. в Приложении или на нашем веб-сайте.

# Содержание

## Руководство по монтажу

### Содержание

<b>1</b>	<b>Безопасность</b> .....	<b>143</b>
1.1	Относящиеся к действию предупредительные указания.....	143
1.2	Использование по назначению.....	143
1.3	Общие указания по технике безопасности ....	143
1.4	Предписания (директивы, законы, стандарты).....	144
<b>2</b>	<b>Указания по документации</b> .....	<b>145</b>
2.1	Соблюдение совместно действующей документации .....	145
2.2	Хранение документации.....	145
2.3	Действительность руководства .....	145
<b>3</b>	<b>Описание изделия</b> .....	<b>145</b>
3.1	Конструкция изделия .....	145
3.2	Маркировка CE.....	145
<b>4</b>	<b>Монтаж</b> .....	<b>145</b>
4.1	Проверка комплектности .....	145
<b>5</b>	<b>Установка</b> .....	<b>145</b>
5.1	Демонтаж ревизионного отверстия.....	146
5.2	Монтаж ТЭНа .....	146
5.3	Обеспечение электропитание .....	146
5.4	Электромонтаж .....	146
<b>6</b>	<b>Ввод в эксплуатацию</b> .....	<b>147</b>
6.1	Ввод ТЭНа в эксплуатацию.....	147
<b>7</b>	<b>Устранение неполадок</b> .....	<b>147</b>
7.1	Функция предохранительного ограничителя температуры.....	147
7.2	Деблокировка предохранительного ограничителя температуры после отключения .....	147
<b>8</b>	<b>Вывод из эксплуатации</b> .....	<b>148</b>
8.1	Вывод изделия из эксплуатации.....	148
8.2	Переработка и утилизация.....	148
<b>9</b>	<b>Сервисная служба</b> .....	<b>148</b>
9.1	Сервисная служба .....	148
<b>10</b>	<b>Технические характеристики</b> .....	<b>148</b>



## 1 Безопасность

### 1.1 Относящиеся к действию предупредительные указания

#### Классификация относящихся к действию предупредительных указаний

Относящиеся к действию предупредительные указания классифицированы по степени возможной опасности с помощью предупредительных знаков и сигнальных слов следующим образом:

#### Предупредительные знаки и сигнальные слова



##### Опасность!

Непосредственная угроза жизни или опасность тяжёлых травм



##### Опасность!

Опасность для жизни в результате поражения электрическим током



##### Предупреждение!

Опасность незначительных травм



##### Осторожно!

Риск материального ущерба или нанесения вреда окружающей среде

### 1.2 Использование по назначению

В случае ненадлежащего использования или использования не по назначению возможна опасность для здоровья и жизни пользователя или третьих лиц, а также опасность нанесения ущерба изделию и другим материальным ценностям.

ТЭН используется для нагрева участка готовности VIH R 300 - 500 и VIH S 300 - 500. Он предназначен специально для дополнительного нагрева.

Использование по назначению подразумевает:

- соблюдение прилагаемых руководств по эксплуатации, установке и техническому обслуживанию изделия, а также всех прочих компонентов системы
- установку и монтаж согласно допуску изделия и системы к эксплуатации
- соблюдение всех приведённых в руководствах условий выполнения осмотров и техобслуживания.

Использование по назначению включает, кроме того, монтаж с соблюдением степени защиты по IP-коду.

Иное использование, нежели описанное в данном руководстве, или использование, выходящее за рамки описанного здесь использования, считается использованием не по назначению. Использование не по назначению считается также любое непосредственное применение в коммерческих и промышленных целях.

#### Внимание!

Любое неправильное использование запрещено.

### 1.3 Общие указания по технике безопасности

#### 1.3.1 Опасность из-за недостаточной квалификации

**Действительность:** Не для России

Следующие работы должны выполнять только специалисты, имеющие достаточную для этого квалификацию:

**Действительность:** Россия

Следующие работы должны выполнять только аттестованные фирмой Vaillant специалисты, имеющие достаточную для этого квалификацию:

- Монтаж
- Демонтаж
- Установка
- Ввод в эксплуатацию
- Осмотр и техобслуживание
- Ремонт
- Вывод из эксплуатации
- ▶ Соблюдайте все прилагаемые к изделию руководства.
- ▶ Действуйте в соответствии с современным уровнем развития техники.
- ▶ Соблюдайте все соответствующие директивы, стандарты, законы и прочие предписания.

#### 1.3.2 Опасность для жизни в результате поражения электрическим током

В случае контакта с токопроводящими компонентами существует опасность для

## 1 Безопасность

жизни в результате поражения электрическим током.

Прежде чем приступить к работе с изделием:

- ▶ Обесточьте изделие, отключив все полюса от электросети (электрическое разъединительное устройство с расстоянием между контактами минимум 3 мм, например, предохранитель или силовой выключатель).
- ▶ Примите меры против повторного включения.
- ▶ Проверьте отсутствие напряжения.

### 1.3.3 Risiko eines Sachschadens durch Frost

- ▶ Installieren Sie das Produkt nicht in frostgefährdeten Räumen.

### 1.3.4 Опасность ожога или ошпаривания из-за горячих деталей

- ▶ Начинайте работу с этими компонентами только после того, как они остынут.

### 1.3.5 Риск материального ущерба из-за использования неподходящего инструмента

- ▶ Для затяжки и ослабления резьбовых соединений используйте подходящий инструмент.

### 1.3.6 Опасность для жизни в результате отсутствия защитных устройств

На содержащихся в настоящем документе схемах указаны не все необходимые для надлежащей установки защитные устройства.

- ▶ Установите в систему необходимые защитные устройства.
- ▶ Соблюдайте действующие внутригосударственные и международные законы, стандарты и директивы.

## 1.4 Предписания (директивы, законы, стандарты)

- ▶ Соблюдайте национальные предписания, стандарты, директивы и законы.

## 2 Указания по документации

### 2.1 Соблюдение совместно действующей документации

- ▶ Обязательно соблюдайте инструкции, содержащиеся во всех руководствах по эксплуатации и монтажу, прилагаемых к компонентам системы.

### 2.2 Хранение документации

- ▶ Передайте настоящее руководство и всю совместно действующую документацию стороне, эксплуатирующей систему.

### 2.3 Действительность руководства

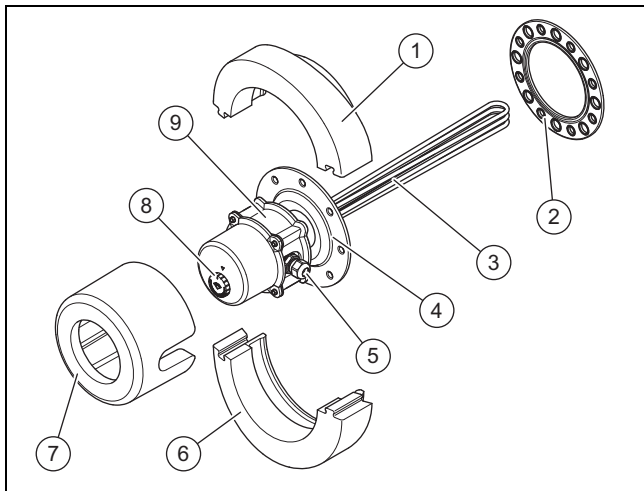
Действие настоящего руководства распространяется исключительно на:

**Изделие - артикульный номер**

ТЭН	0020230734
-----	------------

## 3 Описание изделия

### 3.1 Конструкция изделия



- |   |  |   |  |
|---|--|---|--|
| 1 | Изолирующий элемент верхнего полукольца  | 5 | PG-резьбовое соединение для электрического подключения |
| 2 | Уплотнение ревизионного отверстия  | 6 | Изолирующий элемент нижнего полукольца                 |
| 3 | ТЭНы   | 7 | Изолирующая втулка головки ТЭНа                        |
| 4 | Фланец со сгоном, с предварительно установленным уплотнением под головку болта | 8 | Установочный регулятор                                 |
|   |  | 9 | Маркировочная табличка                                 |

### 3.2 Маркировка CE



Маркировка CE документально подтверждает соответствие характеристик изделий, указанных на маркировочной табличке, основным требованиям соответствующих директив.

С заявлением о соответствии можно ознакомиться у изготовителя.

## 4 Монтаж

### 4.1 Проверка комплектности

- ▶ Проверьте комплект поставки на комплектность и отсутствие повреждений.

Количество	Название
1	ТЭН
1	Фланец со сгоном
1	Уплотнение ревизионного отверстия
1	Руководство по эксплуатации и монтажу

## 5 Установка



### Осторожно!

**Опасность материального ущерба вследствие коррозии и короткого замыкания вследствие отсутствия заземления**

Если в накопителе используется ТЭН, то в воде из-за имеющегося постороннего напряжения может накапливаться электрический потенциал, который может стать причиной образования электрохимической коррозии ТЭНа.

- ▶ Убедитесь, что трубы горячей и холодной воды непосредственно на накопителе подсоединены через заземляющий кабель к главному заземляющему проводу.
- ▶ Кроме того убедитесь, что также и ТЭН подсоединен к главному заземляющему проводу через клемму заземления.

Электромонтаж разрешается выполнять только специалисту-электрику.

ТЭН разрешается устанавливать только в горизонтальном положении. Установка в вертикальном положении запрещена.

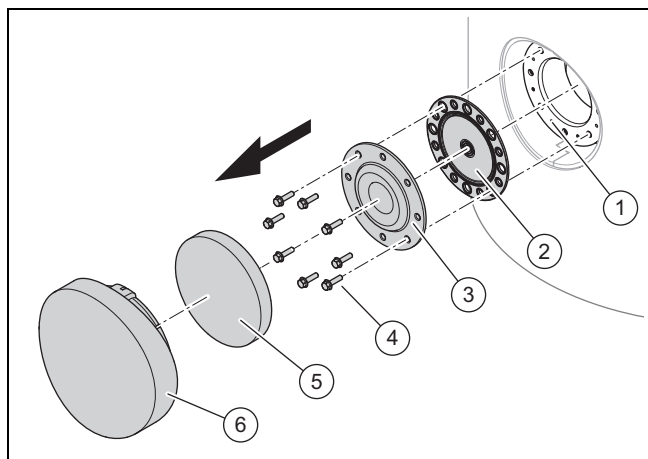
Для электрического подключения используйте кабель подключения к сети, рассчитанный на температуру 80 °С.

Перед вводом ТЭНа в эксплуатацию убедитесь, что накопитель горячей воды заполнен.

## 5 Установка

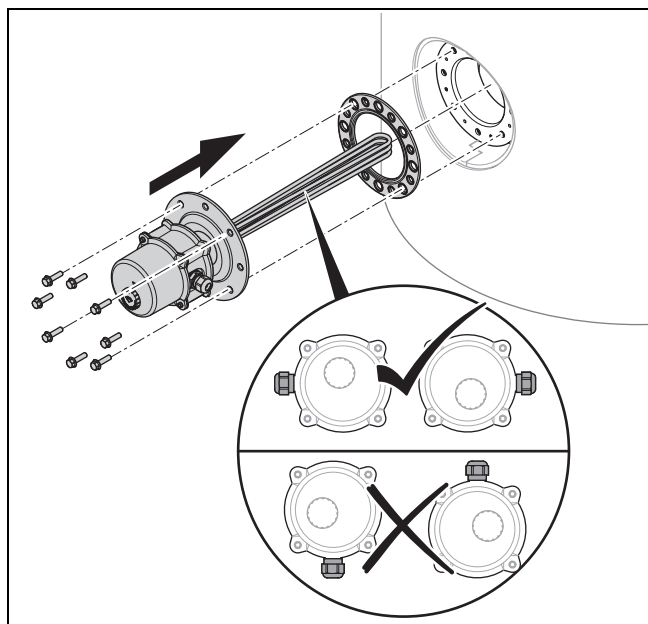
Для сохранения работоспособности электронагревателя в течение многих лет рекомендуется следующее минимально допустимое качество свежей воды: содержание хлоридов < 120 мг/л, жёсткость воды < 2,4965 ммоль/л (< 14°dH; < 24,987°FH; < 140 мг CaCO<sub>3</sub>/л; < 249,87 мг CaCO<sub>3</sub>/л; < 249,87 ppm (мг CaCO<sub>3</sub>/л)). В случае более высокой жёсткости воды рекомендуется применение водоумягчительной установки!

### 5.1 Демонтаж ревизионного отверстия



1. При необходимости, отключите накопитель горячей воды от электрической сети.
2. Опорожните накопитель горячей воды.
3. Снимите изолирующие элементы (5) и (6).
4. Отверните винты (4) крепления крышки (3) ревизионного отверстия (1).
5. Снимите крышку и уплотнение (2).

### 5.2 Монтаж ТЭНа



1. Используйте прилагаемое новое уплотнение для ревизионного отверстия.



### Опасность!

#### Опасность материального ущерба вследствие превышения момента затяжки

Фланец со сгоном предварительно установлен на резьбу ТЭНа с определенным моментом затяжки, что позволяет идеально совместить отверстия с ТЭНами. Дальнейшее вкручивание фланца со сгоном в резьбу ТЭНа может привести к повреждению резьбы.

- ▶ Установите ТЭН с предварительно установленным фланцем со сгоном, сохранив состояние при поставке.

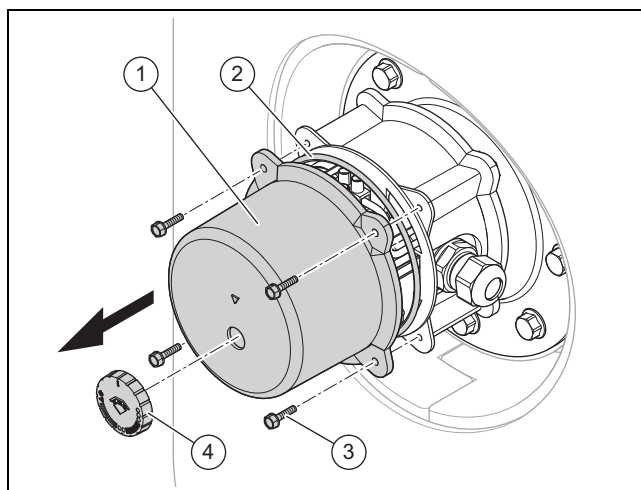
2. Установите ТЭН, как показано на рисунке.
3. Затяните винты на фланце со сгоном крест-накрест.

### 5.3 Обеспечение электропитание

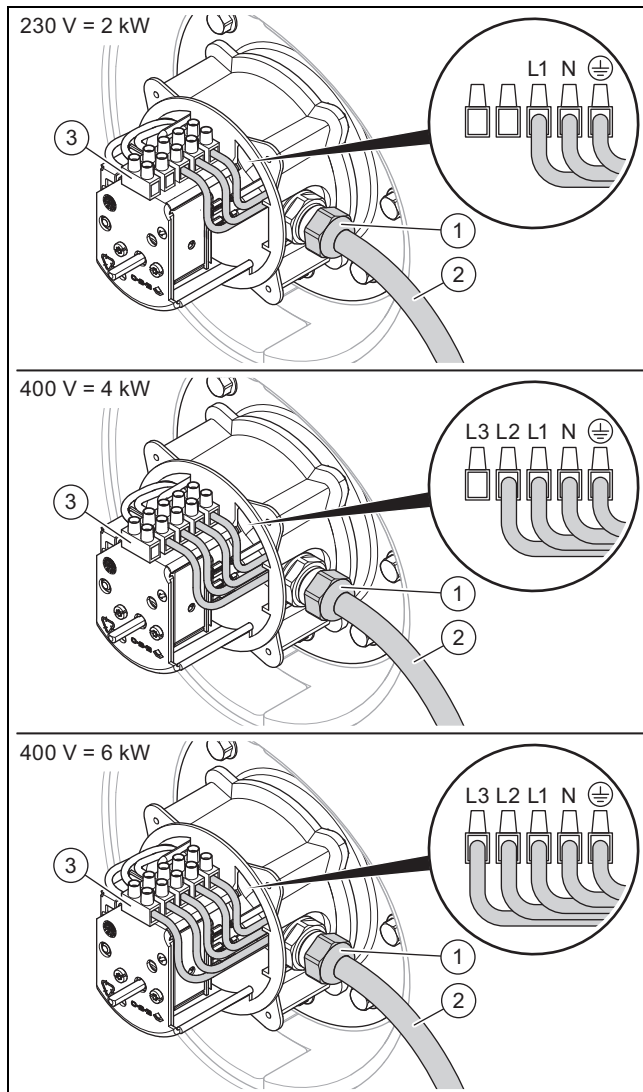
Внешний кабель подключения к сети должен быть заземлен и подсоединен с соблюдением правильной полярности и действующих предписаний.

- ▶ При схемном подключении к электросети установите многополюсное разъединительное устройство от сети с расстоянием между контактами минимум 3 мм для каждого полюса (например, предохранители или силовые выключатели).

### 5.4 Электромонтаж



1. Снимите вращающуюся ручку (4) с установочного регулятора.
2. Выкрутите четыре винта с шестигранной головкой (3).
3. Снимите соединительный корпус (1) и уплотнение (2).

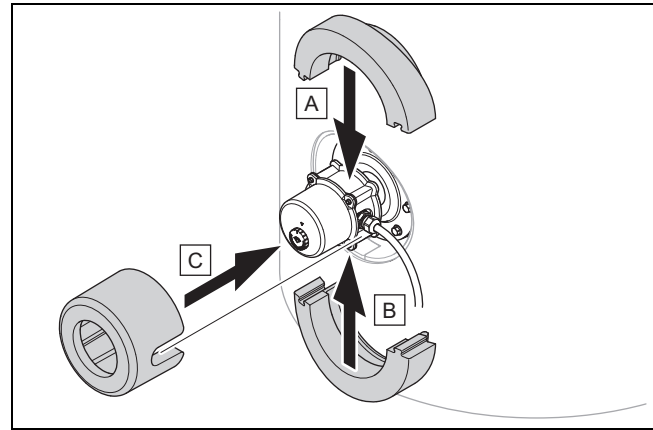


4. Введите кабель (2) через сетевой ввод в корпус и закрепите его с помощью резьбового соединения PG (1).
  - Рекомендованный момент затяжки:  $\leq 6,0$  Нм
5. Подсоедините жилы к клеммной планке (3).
6. Установите уплотнение и соединительный корпус и вкрутите четыре винта с шестигранной головкой.
  - Рекомендованный момент затяжки:  $\leq 1,9$  Нм
7. Установите вращающуюся ручку на установочный регулятор.

## 6 Ввод в эксплуатацию

### 6.1 Ввод ТЭНа в эксплуатацию

1. Наполните накопитель горячей воды.
2. Проверьте ревизионное отверстие на герметичность.



3. Установите изолирующие элементы.
4. Включите электропитание.
5. Поворотной ручкой установите температуру, до которой должен нагревать воду электронагреватель.

## 7 Устранение неполадок

### 7.1 Функция предохранительного ограничителя температуры

Если температура воды в накопителе поднимется выше  $95^{\circ}\text{C}$ , то предохранительный ограничитель температуры (STB) на ТЭНе отключит подвод напряжения.

### 7.2 Деблокировка предохранительного ограничителя температуры после отключения



#### Осторожно!

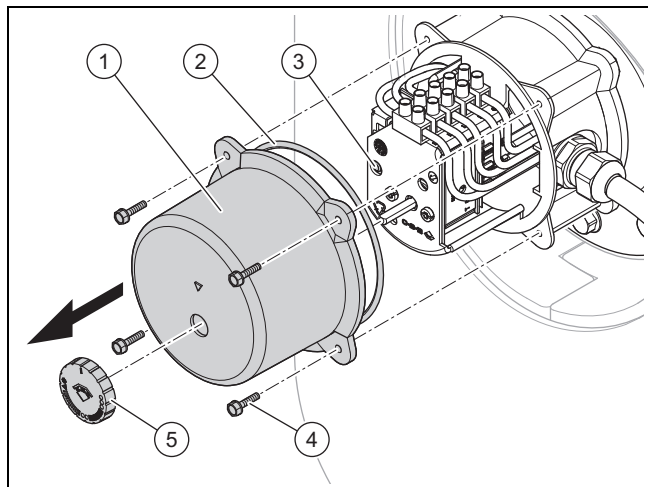
#### Риск материального ущерба вследствие перегрева!

Если ошибка, которая привела к выключению изделия, не будет устранена, это может вызвать повреждение изделия.

- Включайте предохранительный ограничитель температуры только тогда, если причина ошибки, которая привела к срабатыванию предохранительного ограничителя температуры, устранена.

1. Выключите электропитание.
2. Снимите изолирующие элементы с ТЭНа.

## 8 Вывод из эксплуатации



3. Снимите вращающуюся ручку (5) с установочного регулятора.
4. Выкрутите четыре винта с шестигранной головкой (4).
5. Снимите крышку клеммной коробки (1) и прокладку (2).
6. Вдавите кнопку разблокировки предохранительного ограничителя температуры (3).
7. Установите уплотнение и соединительный корпус и вкрутите четыре винта с шестигранной головкой.
8. Установите вращающуюся ручку на установочный регулятор.
9. Установите изолирующие элементы.
10. Включите электропитание.

## 8 Вывод из эксплуатации

### 8.1 Вывод изделия из эксплуатации

1. Отключите электропитание ТЭНа.
2. Отсоедините электропитание.
3. Опорожните накопитель горячей воды.
4. Снимите ТЭН.
5. Установите уплотнение и крышку ревизионного отверстия.
6. Установите крышку ревизионного отверстия.

### 8.2 Переработка и утилизация

#### Утилизация упаковки

- ▶ Утилизируйте упаковку надлежащим образом.
- ▶ Соблюдайте все соответствующие предписания.

## 9 Сервисная служба

### 9.1 Сервисная служба

Контактные данные нашей сервисной службы см. в Приложении или на нашем веб-сайте.

## 10 Технические характеристики

	ТЭН 2 - 6 кВт
Номинальная выходная мощность	2; 4; 6 кВт
Допустимая температура окружающего воздуха при работе	0 ... 40 °С
Допустимая влажность воздуха в %	< 75 (длительное хранение); < 93 (транспортировка)
Рекомендованная макс. жёсткость питьевой воды	≤ 14 ° дН
Диапазон регулировки температуры	28 ... 70 °С
Допустимая температура в накопителе воды	7 ... 85 °С
Рабочая температура горячей воды	65 °С
Макс. температура питьевой воды в накопителе	≤ 95 °С
Макс. рабочее давление питьевой воды	≤ 1 МПа (≤ 10 бар)
Температура отключения в сухом режиме	95 °С <sup>+8 K</sup>
Мин. температура защиты от замерзания	≥ 7 °С
Макс. температура головки ТЭНа	≤ 95 °С
Макс. температура поверхности ТЭНа	≤ 150 °С
Макс. мощность на единицу поверхности	макс. 14,1 Вт/см <sup>3</sup>
Длина ввода (глубина погружения)	450 мм
Диаметр ввода	≈ 36,5 мм
Диаметр ТЭНа	6,5 мм
Материал ТЭНов	2.4858 / Incoloy 825
Материал головки ТЭНа	1.4404
Размер головки ТЭНа под ключ	SW 60 мм
Резьбовое подключение	G 1 1/2 В дюйм.
Рекомендованный момент затяжки головки ТЭНа	90 ... 100 Нм
Длина головки ТЭНа	≈ 160 мм
Материал соединительного корпуса	PA6 GF30
Масса нетто головки ТЭНа	1,36 кг
Электропитание	1 N PE ~230 В / 50 Гц 1x 16 А; 3 N PE ~400 В / 50 Гц 3 x 16 А
Тип защиты	IP54 (DIN EN 60529)
Класс электрозащиты	I
Категория перенапряжения	II

## Návod na obsluhu

### Obsah

<b>1</b>	<b>Bezpečnosť</b> .....	<b>150</b>
1.1	Výstražné upozornenia vzťahujúce sa na činnosť .....	150
1.2	Použitie podľa určenia .....	150
1.3	Všeobecné bezpečnostné upozornenia .....	150
1.4	Predpisy (smernice, zákony, normy) .....	151
<b>2</b>	<b>Pokyny k dokumentácii</b> .....	<b>152</b>
2.1	Dodržiavanie súvisiacich podkladov .....	152
2.2	Uschovanie podkladov .....	152
2.3	Platnosť návodu .....	152
<b>3</b>	<b>Opis výrobku</b> .....	<b>152</b>
3.1	Konštrukcia výrobku .....	152
3.2	Označenie CE .....	152
<b>4</b>	<b>Prevádzka</b> .....	<b>152</b>
4.1	Prehľad funkcií otočného regulátora .....	152
<b>5</b>	<b>Odstránenie porúch</b> .....	<b>152</b>
5.1	Rozpoznanie a odstránenie porúch .....	152
<b>6</b>	<b>Starostlivosť a údržba</b> .....	<b>153</b>
6.1	Ošetrovanie výrobku .....	153
<b>7</b>	<b>Vyradenie z prevádzky</b> .....	<b>153</b>
7.1	Dočasné vyradenie výrobku z prevádzky .....	153
7.2	Definitívne vyradenie výrobku z prevádzky .....	153
7.3	Recyklácia a likvidácia .....	153
<b>8</b>	<b>Záruka a zákaznícky servis</b> .....	<b>153</b>
8.1	Záruka .....	153
8.2	Zákaznícky servis .....	153

# 1 Bezpečnosť

## 1 Bezpečnosť

### 1.1 Výstražné upozornenia vzťahujúce sa na činnosť

#### Klasifikácia výstražných upozornení vzťahujúcich sa na činnosť

Výstražné upozornenia vzťahujúce sa na činnosť sú označené výstražným znakom a signálnymi slovami vzhľadom na stupeň možného nebezpečenstva:

#### Výstražný znak a signálne slovo



##### Nebezpečenstvo!

bezprostredné ohrozenie života alebo nebezpečenstvo ťažkých poranení osôb



##### Nebezpečenstvo!

nebezpečenstvo ohrozenia života zásahom elektrickým prúdom



##### Výstraha!

nebezpečenstvo ľahkých poranení osôb



##### Pozor!

riziko vzniku vecných škôd alebo škôd na životnom prostredí

### 1.2 Použitie podľa určenia

Pri neodbornom používaní alebo používaní v rozpore s určením môžu vzniknúť nebezpečenstvá poranenia alebo ohrozenia života používateľa alebo tretích osôb, resp. poškodenia výrobku a iných vecných hodnôt.

Elektrická vykurovacia tyč slúži na vykurovanie pohotovostného dielu zásobníka teplej vody VIH R 300 - 500 a VIH S 300 - 500. Táto je špeciálne určená ako prídavné vykurovanie.

Použitie podľa určenia zahŕňa:

- dodržiavanie príslušných návodov na obsluhu výrobku a tiež všetkých ostatných komponentov systému
- dodržiavanie všetkých podmienok inšpekcie a údržby uvedených v návodoch.

Tento výrobok môžu používať deti od veku 8 rokov a okrem toho aj osoby so zníženými fyzickými, sensorickými alebo mentálnymi schopnosťami alebo s nedostatkom skúseností a vedomostí, len ak sú pod dozorom alebo ak boli poučené ohľadne bezpečného

používania výrobku a porozumeli nebezpečenstvám, ktoré z používania vyplývajú. Deti sa s výrobkom nesmú hrať. Čistenie a užívateľská údržba sa nesmú vykonávať deťmi bez dozoru.

Iné použitie, ako použitie opísané v predložennom návode alebo použitie, ktoré presahuje rámec tu opísaného použitia, sa považuje za použitie v rozpore s určením. Za použitie v rozpore s určením sa považuje aj každé bezprostredné komerčné a priemyselné použitie.

#### Pozor!

Akokoľvek zneužitie je zakázané.

### 1.3 Všeobecné bezpečnostné upozornenia

#### 1.3.1 Nebezpečenstvo spôsobené chybnou obsluhou

Chybnou obsluhou môžete ohroziť samých seba a iné osoby a zapríčiniť vznik hmotných škôd.

- ▶ Starostlivo si prečítajte predkladaný návod a všetky súvisiace platné podklady, najmä kapitolu „Bezpečnosť“ a výstražné upozornenia.
- ▶ Vykonávajte iba také činnosti, ku ktorým vás vedie predložený návod na použitie.

#### 1.3.2 Riziko hmotnej škody spôsobenej mrazom

- ▶ Zabezpečte, aby vykurovací systém ostal počas mrazu v každom prípade v prevádzke a aby sa dostatočne temperovali všetky priestory.
- ▶ Ak nedokážete zabezpečiť prevádzku, potom nechajte vykurovací systém vypustiť servisnému technikovi.

#### 1.3.3 Riziko ohrozenia života vyvolané zmenami na výrobku alebo v okolí výrobku

- ▶ V žiadnom prípade neodstraňujte, nepremosťujte ani neblokujte bezpečnostné zariadenia.
- ▶ Nemanipulujte s bezpečnostnými zariadeniami.
- ▶ Neničte ani neodstraňujte plomby z konštrukčných dielov.
- ▶ Nevykonávajte žiadne zmeny:



- na výrobku,
- na prívodoch vody a prúdu
- na poistnom ventile
- a odtokových potrubiach
- na stavebných danostiach, ktoré môžu mať vplyv na prevádzkovú bezpečnosť výrobku.

#### **1.3.4 Nebezpečenstvo poranenia a riziko vecnej škody v dôsledku neodbornej alebo zanedbanej údržby a opravy**

- ▶ Nikdy sa nepokúšajte sami vykonávať údržbové práce ani opravy na vašom výrobku.
- ▶ Poruchy a poškodenia nechajte ihneď odstrániť odborníkom.
- ▶ Dodržiavajte zadané intervaly údržby.

#### **1.4 Predpisy (smernice, zákony, normy)**

- ▶ Dodržiavajte národné predpisy, normy, smernice a zákony.

## 2 Pokyny k dokumentácii

### 2 Pokyny k dokumentácii

#### 2.1 Dodržiavanie súvisiacich podkladov

- Bezpodmienečne dodržiavajte všetky návody na obsluhu, ktoré sú priložené ku komponentom systému.

#### 2.2 Uschovanie podkladov

- Tento návod, ako aj všetky súvisiace podklady uschovajte pre ďalšie použitie.

#### 2.3 Platnosť návodu

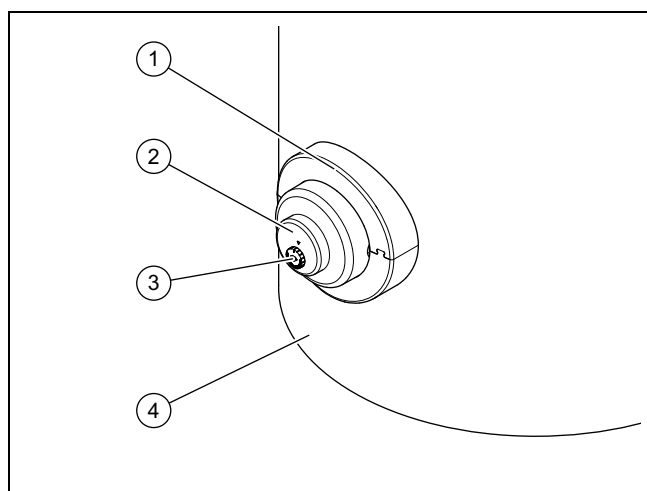
Tento návod platí výlučne pre:

**Výrobok – číslo výrobku**

Elektrická vykurovacia tyč	0020230734
----------------------------	------------

## 3 Opis výrobku

### 3.1 Konštrukcia výrobku



- |                              |   |
|------------------------------|---|
| 1 Typový štítok (pod krytom) | 3 Nastavovací regulátor teploty teplej vody |
| 2 Elektrická vykurovacia tyč | 4 Zásobník                                  |

### 3.2 Označenie CE



Označením CE sa dokumentuje, že výrobky podľa typového štítku spĺňajú základné požiadavky príslušných smerníc.

Vyhlasenie o zhode si môžete prezrieť u výrobcu.

## 4 Prevádzka

### 4.1 Prehľad funkcií otočného regulátora

Poloha otočného regulátora	Funkcia
	VYP
	Protimrazová ochrana
	Teplota vody cca 40 °C
	Teplota vody cca 60 °C
	Teplota vody cca 70 °C
	Normálna prevádzka Teplota vody cca 65 °C

## 5 Odstránenie porúch

### 5.1 Rozpoznanie a odstránenie porúch

**Podmienky:** Teplota teplej vody nedosahuje nastavenú teplotu

- Prípadne sa aktivoval bezpečnostný obmedzovač teploty. Upovedomte servisného pracovníka.

## 6 Starostlivosť a údržba

### 6.1 Ošetrovanie výrobku



#### Pozor!

**Riziko vzniku hmotnej škody v dôsledku použitia nevhodného čistiaceho prostriedku!**

- ▶ Nepoužívajte spreje, prostriedky na drhnutie, prostriedky na preplachovanie, čistiace prostriedky s obsahom rozpúšťadiel a chlóru.

- ▶ Kryt výrobku očistite pomocou vlhkej handričky a nepatrného množstva mydla bez rozpúšťadiel.

## 7 Vyradenie z prevádzky

### 7.1 Dočasné vyradenie výrobku z prevádzky

1. Nastavovací regulátor nastavte do polohy „VYP“.
2. Zabezpečte, aby bola zaručená dostatočná protimrazová ochrana.

### 7.2 Definitívne vyradenie výrobku z prevádzky

- ▶ Výrobok nechajte definitívne vyradiť z prevádzky servisnému pracovníkovi.

### 7.3 Recyklácia a likvidácia



Ak je výrobok označený týmto symbolom:

- ▶ Výrobok v tomto prípade nelikvidujte prostredníctvom domového odpadu.
- ▶ Výrobok namiesto toho odovzdajte na zbernom mieste pre staré elektrické alebo elektronické prístroje a zariadenia.



Ak výrobok obsahuje batérie, ktoré sú označené týmto symbolom, potom môžu batérie obsahovať substancie škodlivé pre zdravie a životné prostredie.

- ▶ Batérie v tomto prípade zlikvidujte na zbernom mieste pre batérie.

## 8 Záruka a zákaznícky servis

### 8.1 Záruka

Na informácie týkajúce sa záruky výrobcu sa, prosím, spýtajte na kontaktnej adrese uvedenej v prílohe.

### 8.2 Zákaznícky servis

Kontaktné údaje nášho zákazníckeho servisu nájdete v prílohe alebo na našej internetovej stránke.

# Obsah

## Návod na inštaláciu

### Obsah

<b>1</b>	<b>Bezpečnosť</b> .....	<b>155</b>
1.1	Výstražné upozornenia vzťahujúce sa na činnosť .....	155
1.2	Použitie podľa určenia .....	155
1.3	Všeobecné bezpečnostné upozornenia .....	155
1.4	Predpisy (smernice, zákony, normy) .....	156
<b>2</b>	<b>Pokyny k dokumentácii</b> .....	<b>157</b>
2.1	Dodržiavanie súvisiacich podkladov .....	157
2.2	Uschovanie podkladov .....	157
2.3	Platnosť návodu .....	157
<b>3</b>	<b>Opis výrobku</b> .....	<b>157</b>
3.1	Konštrukcia výrobku .....	157
3.2	Označenie CE.....	157
<b>4</b>	<b>Montáž</b> .....	<b>157</b>
4.1	Kontrola rozsahu dodávky .....	157
<b>5</b>	<b>Inštalácia</b> .....	<b>157</b>
5.1	Demontáž revízneho otvoru .....	158
5.2	Montáž elektrickej vykurovacej tyče .....	158
5.3	Pripojenie napájania elektrickým prúdom.....	158
5.4	Elektrická inštalácia .....	158
<b>6</b>	<b>Uvedenie do prevádzky</b> .....	<b>159</b>
6.1	Uvedenie elektrickej vykurovacej tyče do prevádzky .....	159
<b>7</b>	<b>Odstránenie porúch</b> .....	<b>159</b>
7.1	Funkcia bezpečnostného obmedzovača teploty .....	159
7.2	Odblokovanie bezpečnostného obmedzovača teploty po vypnutí .....	159
<b>8</b>	<b>Vyradenie z prevádzky</b> .....	<b>160</b>
8.1	Vyradenie výrobku z prevádzky.....	160
8.2	Recyklácia a likvidácia.....	160
<b>9</b>	<b>Zákaznícky servis</b> .....	<b>160</b>
9.1	Zákaznícky servis .....	160
<b>10</b>	<b>Technické údaje</b> .....	<b>160</b>

## 1 Bezpečnosť

### 1.1 Výstražné upozornenia vzťahujúce sa na činnosť

#### Klasifikácia výstražných upozornení vzťahujúcich sa na činnosť

Výstražné upozornenia vzťahujúce sa na činnosť sú označené výstražným znakom a signálnymi slovami vzhľadom na stupeň možného nebezpečenstva:

#### Výstražný znak a signálne slovo



#### Nebezpečenstvo!

Bezprostredné ohrozenie života alebo nebezpečenstvo ťažkých poranení osôb



#### Nebezpečenstvo!

Nebezpečenstvo ohrozenia života zásahom elektrickým prúdom



#### Výstraha!

nebezpečenstvo ľahkých poranení osôb



#### Pozor!

riziko vzniku vecných škôd alebo škôd na životnom prostredí

### 1.2 Použitie podľa určenia

Pri neodbornom používaní alebo používaní v rozpore s určením môžu vzniknúť nebezpečenstvá poranenia alebo ohrozenia života používateľa alebo tretích osôb, resp. poškodenia výrobku a iných vecných hodnôt.

Elektrická vykurovacia tyč slúži na vykurovanie pohotovostného dielu zásobníka teplej vody VIH R 300 - 500 a VIH S 300 - 500. Táto je špeciálne určená ako prídavné vykurovanie.

Použitie podľa určenia zahŕňa:

- dodržiavanie priložených návodov na prevádzku, inštaláciu a údržbu výrobku, ako aj všetkých ďalších konštrukčných skupín systému,
- inštaláciu a montáž podľa schválenia výrobku a systému,
- dodržiavanie všetkých inšpekčných a údržbových podmienok uvedených v návodoch.

Použitie podľa určenia okrem toho zahŕňa inštaláciu podľa triedy IP.

Iné použitie, ako použitie opísané v predložennom návode alebo použitie, ktoré presahuje rámec tu opísaného použitia, sa považuje za použitie v rozpore s určením. Za použitie v rozpore s určením sa považuje aj každé bezprostredné komerčné a priemyselné použitie.

#### Pozor!

Akékoľvek zneužitie je zakázané.

### 1.3 Všeobecné bezpečnostné upozornenia

#### 1.3.1 Nebezpečenstvo v dôsledku nedostatočnej kvalifikácie

**Platnosť:** Nie pre Rusko

Nasledujúce práce smú vykonávať iba servisní pracovníci, ktorí sú dostatočne kvalifikovaní:

**Platnosť:** Rusko

Nasledujúce práce smú vykonávať iba servisní pracovníci certifikovaní firmou Vaillant, ktorí sú dostatočne kvalifikovaní:

- Montáž
- Demontáž
- Inštalácia
- Uvedenie do prevádzky
- Inšpekcia a údržba
- Oprava
- Vyradenie z prevádzky
- ▶ Všímajte si všetky sprievodné návody k výrobku.
- ▶ Postupujte podľa aktuálneho stavu techniky.
- ▶ Dodržiavajte všetky príslušné smernice, normy, zákony a iné predpisy.

#### 1.3.2 Nebezpečenstvo ohrozenia života zásahom elektrickým prúdom

Ak sa dotknete komponentov pod napätím, potom hrozí nebezpečenstvo ohrozenia života zásahom elektrickým prúdom.

Skôr ako začnete na výrobku pracovať:

- ▶ Výrobok odpojte od napätia tým, že vypnete všetky póly všetkých napájaní elektrickým prúdom (elektrické odpojovacie zariadenie s roztvorením kontaktov mini-

## 1 Bezpečnosť

málne 3 mm, napríklad poistku alebo istič vedenia).

- ▶ Vykonajte zaistenie proti opätovnému zapnutiu.
- ▶ Prekontrolujte stav bez prítomnosti napätia.

### 1.3.3 Riziko hmotnej škody spôsobenej mrazom

- ▶ Výrobok neinštalujte v priestoroch ohrozených mrazom.

### 1.3.4 Nebezpečenstvo popálenia alebo obarenia v dôsledku horúcich konštrukčných dielov

- ▶ Na konštrukčných dieloch pracujte až vtedy, keď sú vychladnuté.

### 1.3.5 Riziko vecných škôd použitím nevhodného nástroja

- ▶ Na dot'ahovanie alebo uvoľnenie skrutkových spojov používajte odborné náradie a nástroje.

### 1.3.6 Nebezpečenstvo ohrozenia života v dôsledku chýbajúcich bezpečnostných zariadení

Schémy obsiahnuté v tomto dokumente nezobrazujú všetky bezpečnostné zariadenia potrebné na odbornú inštaláciu.

- ▶ Do systému nainštalujte potrebné bezpečnostné zariadenia.
- ▶ Dodržiavajte príslušné národné a medzinárodné zákony, normy a smernice.

## 1.4 Predpisy (smernice, zákony, normy)

- ▶ Dodržiavajte národné predpisy, normy, smernice a zákony.

## 2 Pokyny k dokumentácii

### 2.1 Dodržiavanie súvisiacich podkladov

- ▶ Bezpodmienečne dodržiavajte všetky návody na obsluhu a inštaláciu, ktoré sú priložené ku komponentom systému.

### 2.2 Uschovanie podkladov

- ▶ Tento návod, ako aj všetky súvisiace podklady odovzdajte prevádzkovateľovi systému.

### 2.3 Platnosť návodu

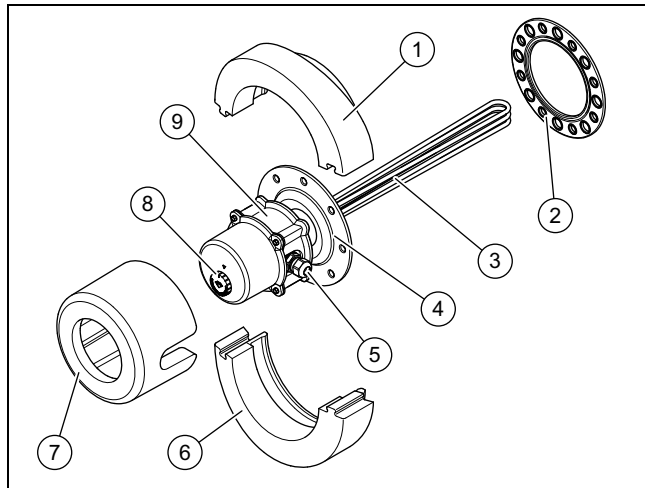
Tento návod platí výlučne pre:

#### Výrobok – číslo výrobku

Elektrická vykurovacia tyč	0020230734
----------------------------	------------

## 3 Opis výrobku

### 3.1 Konštrukcia výrobku



1 Izolačný prvok – horný polkruh	5 Skrutkové spojenie PG pre elektrickú prípojku
2 Tesnenie – revízny otvor	6 Izolačný prvok – dolný polkruh
3 Vykurovacie tyče	7 Izolačné puzdro hlavy vykurovacej tyče
4 Redukčná príruha, s tesnením k závitovej hlave, predmontované	8 Otočný regulátor
	9 Typový štítok

### 3.2 Označenie CE



Označením CE sa dokumentuje, že výrobky podľa typového štítku spĺňajú základné požiadavky príslušných smerníc.

Vyhlásenie o zhode si môžete prezrieť u výrobcu.

## 4 Montáž

### 4.1 Kontrola rozsahu dodávky

- ▶ Prekontrolujte úplnosť a neporušenosť rozsahu dodávky.

Množstvo	Označenie
1	Elektrická vykurovacia tyč
1	Redukčná príruha
1	Tesnenie – revízny otvor
1	Návod na obsluhu a inštaláciu

## 5 Inštalácia



### Pozor!

#### Riziko hmotnej škody následkom korózie a skratu kvôli chýbajúcemu uzemneniu

Ak v zásobníku používate elektrickú vykurovaciu tyč, potom sa môže kvôli prítomnému cudziemu napätiu vytvoriť vo vode elektrický potenciál, ktorý môže spôsobiť elektrochemickú koróziu na elektrickej vykurovacej tyči.

- ▶ Zabezpečte, aby bolo nielen potrubie teplej vody, ale aj potrubie studenej vody bezprostredne na zásobníku pripojené k uzemňovaciemu káblu prostredníctvom uzemňovacieho kábla.
- ▶ Okrem toho zabezpečte, aby bola prostredníctvom uzemňovacej svorky pripojená na hlavnú uzemňovaciu lištu aj elektrická vykurovacia tyč.

Elektrickú inštaláciu smie vykonávať iba autorizovaný odborník na elektrické zariadenia.

Elektrická vykurovacia tyč sa smie montovať iba vodorovne. Zvislá montáž nie je prípustná.

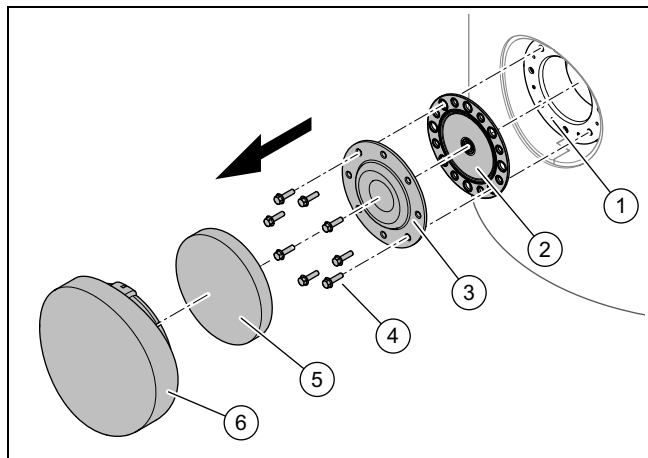
Na elektrické pripojenie použite sieťový pripojovací kábel, ktorý je schválený pre teplotu 80 °C.

Zabezpečte, aby bol zásobník teplej vody naplnený, skôr ako elektrickú vykurovaciu tyč uvediete do prevádzky.

Na zachovanie dlhoročnej funkčnosti elektrickej vykurovacej tyče sa odporúča nasledujúca minimálna kvalita čerstvej vody: obsah chloridov < 120 mg/l, tvrdosť vody < 2,4965 mmol/l (< 14 °dH; < 24,987 °fH; < 140 mg CaCO<sub>3</sub>/l; < 249,87 mg CaCO<sub>3</sub>/l; < 249,87 ppm (mg CaCO<sub>3</sub>/l)). Pri vyšších tvrdostiach vody sa odporúča použitie zariadenia na zmäkčovanie vody!

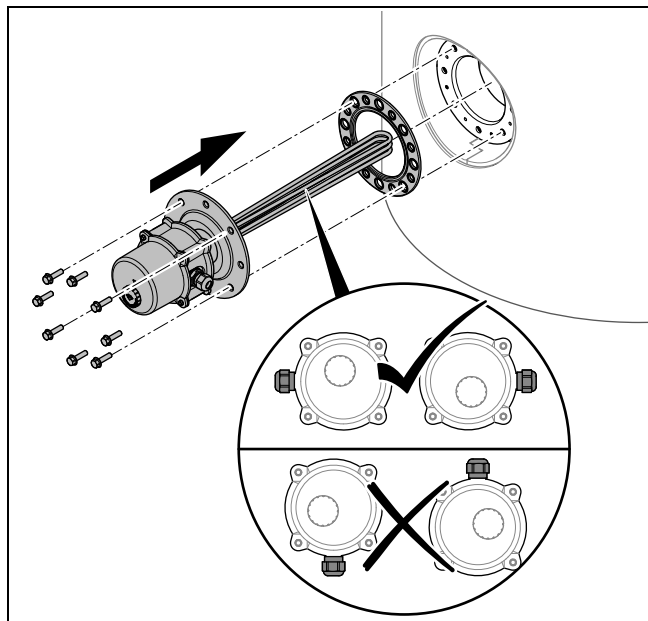
## 5 Inštalácia

### 5.1 Demontáž revízneho otvoru



1. Zásobník teplej vody v prípade potreby prepnite do stavu bez napätia.
2. Vyprázdnite zásobník teplej vody.
3. Odstráňte izolačné prvky (5) a (6).
4. Demontujte skrutky (4) na upevnenie veka (3) revízneho otvoru (1).
5. Odoberte veko a tesnenie (2).

### 5.2 Montáž elektrickej vykurovacej tyče



1. Použite dodané nové tesnenie pre revízny otvor.



#### Nebezpečenstvo!

#### Riziko hmotnej škody v dôsledku pretočenia závitů

Redukčná príruha bola na závit elektrickej vykurovacej tyče predmontovaná s určitým uťahovacím momentom, aby sa otvory a vykurovacie tyče nachádzali v navzájom ideálnej polohe. Ak sa bude redukčná príruha na závite elektrickej vyhrievacej tyče naďalej uťahovať, môže sa závit poškodiť.

- Elektrickú vykurovaciu tyč namontujte s predmontovanou redukčnou prírubou tak, ako sa dodá.

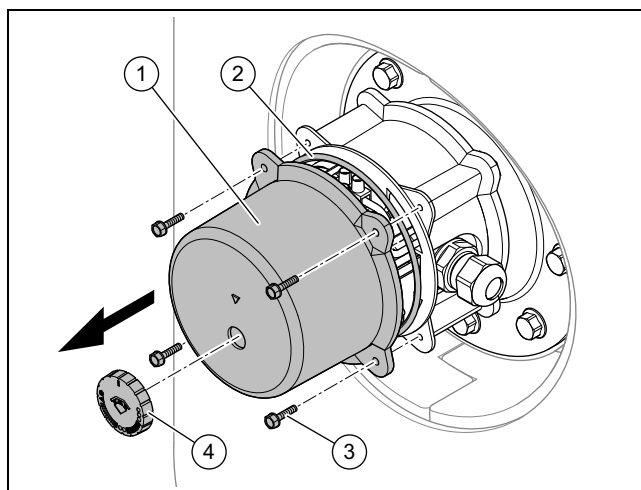
2. Elektrickú vykurovaciu tyč namontujte podľa vyobrazenia.
3. Skrutky na redukčnej príruhe utiahnite do križa.

### 5.3 Pripojenie napájania elektrickým prúdom

Externý sieťový pripojovací kábel musí byť uzemnený, ako aj pripojený so správnou polaritou a podľa platných predpisov.

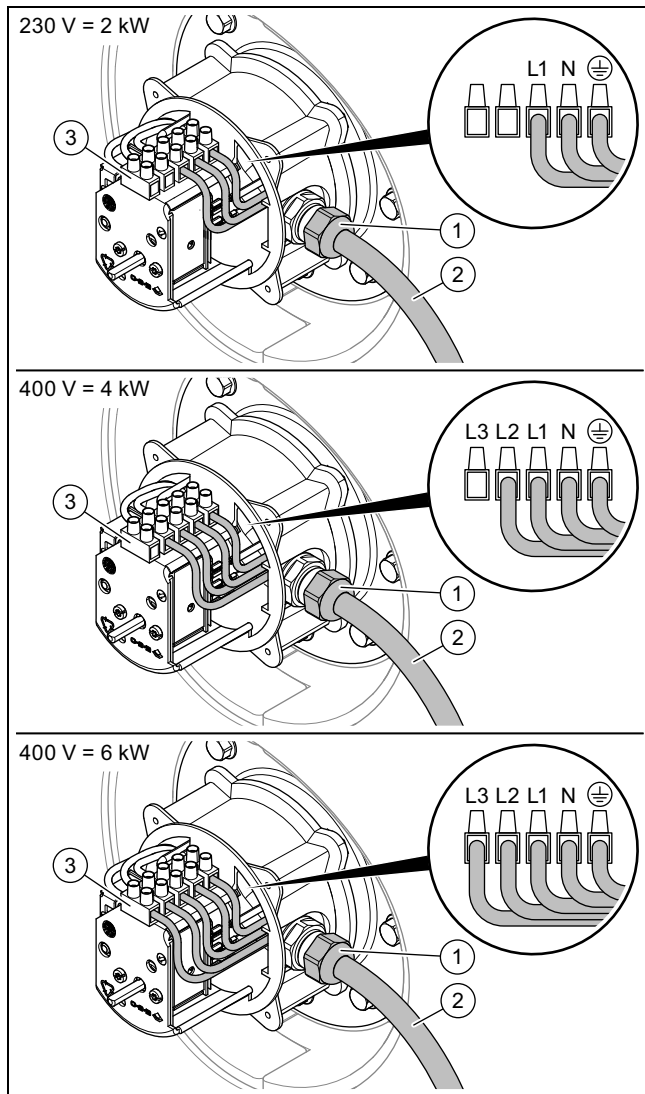
- Pre sieťovú prípojku s pevne pripojenými vodičmi na- inštalujte odpojovacie zariadenie na odpojenie od siete s roztvorením kontaktov minimálne 3 mm (napr. poistky alebo výkonový spínač).

### 5.4 Elektrická inštalácia



1. Otočný gombík (4) stiahnite z nastavovacieho regulátora.
2. Demontujte štyri šesťhranné skrutky (3).
3. Stiahnite kryt prípojky (1) a tesnenie (2).



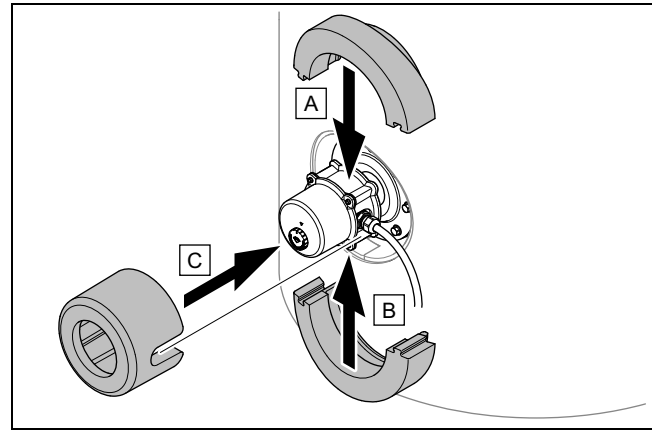


4. Kábel (2) zavedte cez otvor sieťovej prípojky do krytu a zaistíte ho pomocou skrutkového spojenia PG (1).  
– Odporúčaný uťahovací moment:  $\leq 6,0$  Nm
5. Vodiče pripojte na svorkovnicu (3).
6. Nasadte tesnenie a kryt prípojky a namontujte štyri skrutky so šesťhrannou hlavou.  
– Odporúčaný uťahovací moment:  $\leq 1,9$  Nm
7. Nasuňte otočný gombík na nastavovací regulátor.

## 6 Uvedenie do prevádzky

### 6.1 Uvedenie elektrickej vykurovacej tyče do prevádzky

1. Naplňte zásobník teplej vody.
2. Prekontrolujte tesnosť revízneho otvoru.



3. Namontujte izolačné prvky.
4. Zapnite napájanie elektrickým prúdom.
5. Pomocou nastavovacieho kolieska nastavte teplotu, na ktorú sa má zohriať elektrická vykurovacia tyč.

## 7 Odstránenie porúch

### 7.1 Funkcia bezpečnostného obmedzovača teploty

Ak stúpne teplota vody v zásobníku nad  $95\text{ }^{\circ}\text{C}$ , bezpečnostný obmedzovač teploty (STB) vypne prívod napätia na elektrickej vykurovacej tyči.

### 7.2 Odblokovanie bezpečnostného obmedzovača teploty po vypnutí



#### Pozor!

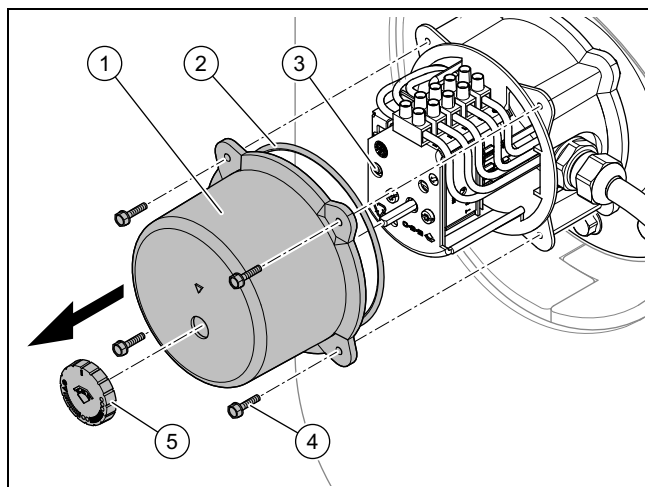
**Riziko hmotnej škody spôsobenej prehriatím!**

Ak sa neodstráni chyba, ktorá viedla k vypnutiu výrobku, môže dôjsť k poškodeniam na výrobku.

- Bezpečnostný obmedzovač teploty zapnite opäť až vtedy, keď sa odstráni príčina chyby, ktorá viedla k zareagovaniu bezpečnostného obmedzovača teploty.

1. Vypnite napájanie elektrickým prúdom.
2. Izolačné prvky demontujte z elektrickej vykurovacej tyče.

## 8 Vyradenie z prevádzky



3. Otočný gombík (5) stiahnite z nastavovacieho regulátora.
4. Demontujte štyri šesťhranné skrutky (4).
5. Stiahnite kryt prípojky (1) a tesnenie (2).
6. Stlačte odblokovacie tlačidlo bezpečnostného obmedzovača teploty (3).
7. Nasadíte tesnenie a kryt prípojky a namontujte štyri skrutky so šesťhrannou hlavou.
8. Nasuňte otočný gombík na nastavovací regulátor.
9. Namontujte izolačné prvky.
10. Zapnite napájanie elektrickým prúdom.

## 8 Vyradenie z prevádzky

### 8.1 Vyradenie výrobku z prevádzky

1. Vypnite napájanie elektrickej vykurovacej tyče elektrickým prúdom.
2. Odpojte napájanie elektrickým prúdom.
3. Vyprázdnite zásobník teplej vody.
4. Demontujte elektrickú vykurovaciu tyč.
5. Namontujte tesnenie a veko revízneho otvoru.
6. Namontujte kryt revízneho otvoru.

### 8.2 Recyklácia a likvidácia

#### Likvidácia obalu

- ▶ Obal zlikvidujte podľa predpisov.
- ▶ Dodržiavajte všetky relevantné predpisy.

## 9 Zákaznícky servis

### 9.1 Zákaznícky servis

Kontaktné údaje nášho zákazničkeho servisu nájdete v prílohe alebo na našej internetovej stránke.

## 10 Technické údaje

	Elektrická vykurovacia tyč 2 – 6 kW
Menovitý výstupný výkon	2; 4; 6 kW
Prípustná teplota okolia – prevádzka	0 ... 40 °C
Prípustná vlhkosť vzduchu v %	< 75 (dlhodobé skladovanie); < 93 (počas prepravy)
Odporúčaná max. tvrdosť pitnej vody	≤ 14 °dH
Nastavovacia oblasť teploty	28 ... 70 °C
Prípustná teplota akumulácie vody	7 ... 85 °C
Prevádzková teplota teplej vody	65 °C
Max. teplota zásobníka pitnej vody	≤ 95 °C
Max. prevádzkový tlak pitnej vody	≤ 1 MPa (≤ 10 bar)
Termálna vypínacia ochrana pri prevádzke na sucho	95 °C <sup>+8 K</sup>
Min. teplota protimrazovej ochrany	≥ 7 °C
Max. teplota hlavy vykurovacej tyče	≤ 95 °C
Max. teplota povrchu vykurovacej tyče	≤ 150 °C
Max. plošný výkon	max. 14,1 W/cm <sup>2</sup>
Zavádzacia dĺžka (hĺbka zanorenia)	450 mm
Zavádzací priemer	≈ 36,5 mm
Priemer vykurovacej tyče	6,5 mm
Materiál vykurovacích tyčí	2.4858/Incoloy 825
Materiál hlavy vykurovacej tyče	1.4404
Veľkosť kľúča pre hlavu vykurovacej tyče	veľkosť 60 mm
Závitová prípojka	G 1 1/2 B palca
Odporúčaná uťahovací moment hlavy vykurovacej tyče	90 ... 100 Nm
Dĺžka hlavy vykurovacej tyče	≈ 160 mm
Materiál krytu prípojky	PA6 GF30
Netto hmotnosť hlavy vykurovacej tyče	1,36 kg
Napájanie elektrickým prúdom	1 N PE ~230 V AC/50 Hz 1x 16 A; 3 N PE ~400 V AC/50 Hz 3 x 16 A
Krytie	IP54 (DIN EN 60529)
Elektrická trieda ochrany	I
Kategória prepätia	II

## Navodila za uporabo

### Vsebina

<b>1</b>	<b>Varnost.....</b>	<b>162</b>
1.1	Opozorila, povezana z akcijo.....	162
1.2	Namenska uporaba .....	162
1.3	Splošna varnostna navodila .....	162
1.4	Predpisi (direktive, zakoni, standardi).....	163
<b>2</b>	<b>Napotki k dokumentaciji .....</b>	<b>164</b>
2.1	Upoštevajte pripadajočo dokumentacijo .....	164
2.2	Shranjevanje dokumentacije .....	164
2.3	Veljavnost navodil.....	164
<b>3</b>	<b>Opis izdelka.....</b>	<b>164</b>
3.1	Zgradba izdelka .....	164
3.2	Oznaka CE .....	164
<b>4</b>	<b>delovanja.....</b>	<b>164</b>
4.1	Pregled funkcij nastavitvenega regulatorja.....	164
<b>5</b>	<b>Odpravljanje motenj .....</b>	<b>165</b>
5.1	Zaznavanje in odpravljanje motenj .....	165
<b>6</b>	<b>Nega in vzdrževanje .....</b>	<b>165</b>
6.1	Nega izdelka .....	165
<b>7</b>	<b>Ustavitev .....</b>	<b>165</b>
7.1	Začasna ustavitev izdelka .....	165
7.2	Dokončen izklop .....	165
7.3	Recikliranje in odstranjevanje .....	165
<b>8</b>	<b>Garancija in servisna služba .....</b>	<b>165</b>
8.1	Garancija .....	165
8.2	Servisna služba .....	165

# 1 Varnost

## 1 Varnost

### 1.1 Opozorila, povezana z akcijo

#### Klasifikacija opozoril, povezanih z akcijo

Opozorila, ki so povezana z akcijo, se stopnjujejo glede na težavnost možne nevarnosti z naslednjimi opozorilnimi znaki in signalnimi besedami:

#### Opozorilni znaki in signalne besede



##### **Nevarnost!**

Neposredna življenjska nevarnost ali nevarnost težkih telesnih poškodb



##### **Nevarnost!**

Življenjska nevarnost zaradi električnega udara



##### **Opozorilo!**

Nevarnost lažjih telesnih poškodb



##### **Previdnost!**

Nevarnost materialne škode ali škode za okolje

### 1.2 Namenska uporaba

V primeru nepravilne ali nenamenske uporabe lahko pride do nevarnosti za življenje in telo uporabnika ali tretjih oseb oz. do poškodb na izdelku in drugih materialnih sredstvih.

Električno grelno jedro je namenjeno ogrevanju dela v pripravljenosti zalogovnika tople vode pri sistemu VIH R 300 - 500 in VIH S 300 - 500. Predvideno je posebej kot dodatno ogrevanje.

Za namensko uporabo je treba:

- upoštevati priložena navodila za uporabo izdelka ter za vse druge komponente sistema
- upoštevati vse pogoje za servisiranje in vzdrževanje, ki so navedeni v navodilih.

Tega izdelka ne smejo uporabljati otroci do 8 leta starosti ter osebe z omejenimi fizičnimi, senzoričnimi ali duševnimi sposobnostmi, ali osebe brez izkušenj in/ali znanja, razen če jih nadzoruje usposobljena oseba ali jih je usposobljena oseba poučila o varni uporabi izdelka in jih seznanila z možnimi nevarnostmi pri uporabi. Otroci se ne smejo igrati z izdelkom. Otroci ne smejo brez nadzora izvajati postopkov čiščenja in vzdrževanja.

Vsaka drugačna uporaba od načinov, ki so opisani v prisotnih navodilih, oz. uporaba izven tukaj opisane velja za neustrezno. Vsi drugačni načini uporabe, predvsem v komercialne ali industrijske namene, veljajo za neustrezne.

#### **Pozor!**

Vsakršna zloraba je prepovedana.

### 1.3 Splošna varnostna navodila

#### 1.3.1 Nevarnost zaradi nepravilnega upravljanja

Z napačno uporabo lahko ogrozite sebe in druge ter povzročite materialno škodo.

- ▶ Skrbno preberite ta navodila in vso pripadajočo dokumentacijo, še posebej poglavje "Varnost" in opozorila.
- ▶ Opravila izvajajte samo tako, kot je opisano v teh navodilih.

#### 1.3.2 Možnost materialne škode zaradi zmrzali

- ▶ Zagotovite, da ogrevalni sistem v primeru zmrzali ostane vključen in so vsi prostori nastavljeni na dovolj visoko temperaturo.
- ▶ Če obratovanja ne morete zagotavljati, potem naj ogrevalno napravo izprazni inštalater.

#### 1.3.3 Smrtna nevarnost zaradi posegov v izdelek ali okolico izdelka

- ▶ V nobenem primeru ne odstranjujte, premoščajte ali blokirajte varnostnih naprav.
- ▶ Na varnostnih napravah ne izvajajte nedovoljenih posegov.
- ▶ Ne poškodujte in ne odstranjujte plomb na sestavnih delih.
- ▶ Nobenih sprememb ne izvajajte:
  - na izdelku
  - na vodih za vodo in elektriko
  - na varnostnem ventilu
  - na odtočnih vodih
  - na gradbeni konstrukciji, ki lahko vpliva na varno delovanje izdelka

#### **1.3.4 Nevarnost telesnih poškodb in materialne škode zaradi nepravilnega ali opuščenega vzdrževanja in popravil**

- ▶ Nikoli ne poskušajte sami izvajati vzdrževalnih del ali popravil na vašem izdelku.
- ▶ Motnje in škodo naj takoj odpravi inštalater.
- ▶ Upoštevajte predpisane intervale vzdrževalnih del.

#### **1.4 Predpisi (direktive, zakoni, standardi)**

- ▶ Upoštevajte nacionalne predpise, standarde, direktive in zakone.

## 2 Napotki k dokumentaciji

### 2 Napotki k dokumentaciji

#### 2.1 Upošteвайте pripadajočo dokumentacijo

- ▶ Obvezno upoštevajte vsa navodila za uporabo, ki so priložena komponentam sistema.

#### 2.2 Shranjevanje dokumentacije

- ▶ Shranite ta navodila in vso pripadajočo dokumentacijo, da bodo na razpolago za nadaljnjo uporabo.

#### 2.3 Veljavnost navodil

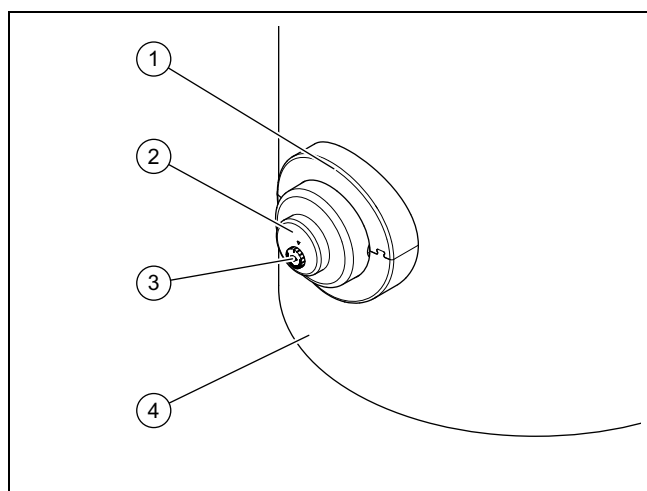
Ta navodila veljajo izključno za:

#### Izdelek – številka artikla

Električno grelno jedro	0020230734
-------------------------	------------

## 3 Opis izdelka

### 3.1 Zgradba izdelka



- |   |                               |   |   |
|---|-------------------------------|---|---|
| 1 | Tipska tablica (pod pokrovom) | 3 | Nastavitveni regulator temperature tople vode |
| 2 | Električno grelno jedro       | 4 | Zalogovnik                                    |

### 3.2 Oznaka CE



Oznaka CE potrjuje, da izdelki izpolnjujejo osnovne zahteve veljavnih direktiv v skladu s podatki na tipski ploščici.

Izjavo o skladnosti si lahko ogledate pri proizvajalcu.

## 4 delovanja

### 4.1 Pregled funkcij nastavitvenega regulatorja

Položaj nastavitvenega regulatorja	Delovanje
	Izklop
	Zaščita proti zmrzovanju
	Temperature vode pribl. 40 °C
	Temperature vode pribl. 60 °C
	Temperature vode pribl. 70 °C
	Običajno delovanje Temperature vode pribl. 65 °C

## 5 Odpravljanje motenj

### 5.1 Zaznavanje in odpravljanje motenj

**Pogoji:** Temperatura tople vode ne dosega nastavljene temperature.

- ▶ Po potrebi se sproži termično varovalo. Obvestite inštalaterja.

## 6 Nega in vzdrževanje

### 6.1 Nega izdelka



#### **Previdnost!**

**Možnost materialne škode zaradi neustreznih čistilnih sredstev!**

- ▶ Ne uporabljajte razpršil, abrazivnih čistilnih sredstev, sredstev za pomivanje oz. čistil, ki vsebujejo topila ali klor.

- ▶ Oblogo čistite z vlažno krpo in nekaj mila brez topila.

## 7 Ustavitev

### 7.1 Začasna ustavitev izdelka

1. Nastavitveni regulator nastavite na položaj „Izklop“.
2. Prepričajte se, da je zagotovljena zadostna zaščita proti zmrzovanju.

### 7.2 Dokončen izklop

- ▶ Poskrbite, da inštalater trajno izklopi izdelek.

### 7.3 Recikliranje in odstranjevanje



Če je izdelek označen z znakom:

- ▶ V tem primeru izdelek ne sodi med gospodinjske odpadke.
- ▶ Namesto tega izdelek odpeljite na zbirno mesto za odslužene električne ali elektronske naprave.



Če izdelek vsebuje baterije, ki so označene s tem znakom, potem lahko baterije vsebujejo snovi, ki so nevarne za zdravje in okolje.

- ▶ V tem primeru baterije oddajte na zbirnem mestu za baterije.

## 8 Garancija in servisna služba

### 8.1 Garancija

Informacije o garanciji proizvajalca dobite na kontaktnem naslovu v prilogi.

### 8.2 Servisna služba

Kontaktne podatke naše servisne službe najdete v prilogi in na naši spletni strani.

# Vsebina

## Navodila za namestitev

### Vsebina

<b>1</b>	<b>Varnost.....</b>	<b>167</b>
1.1	Opozorila, povezana z akcijo.....	167
1.2	Namenska uporaba .....	167
1.3	Splošna varnostna navodila .....	167
1.4	Predpisi (direktive, zakoni, standardi).....	168
<b>2</b>	<b>Napotki k dokumentaciji .....</b>	<b>169</b>
2.1	Upoštevajte pripadajočo dokumentacijo.....	169
2.2	Shranjevanje dokumentacije .....	169
2.3	Veljavnost navodil.....	169
<b>3</b>	<b>Opis izdelka.....</b>	<b>169</b>
3.1	Zgradba izdelka .....	169
3.2	Oznaka CE .....	169
<b>4</b>	<b>Montaža .....</b>	<b>169</b>
4.1	Preverjanje obsega dobave.....	169
<b>5</b>	<b>Priklop .....</b>	<b>169</b>
5.1	Odstranitev odprtine za čiščenje .....	170
5.2	Namestitev električnega grelnega jedra .....	170
5.3	Vzpostavitev električne napetosti .....	170
5.4	Električna priključitev .....	170
<b>6</b>	<b>Zagon .....</b>	<b>171</b>
6.1	Zagon električnega grelnega jedra .....	171
<b>7</b>	<b>Odpravljanje motenj .....</b>	<b>171</b>
7.1	Delovanje termičnega varovala .....	171
7.2	Sprostitev termičnega varovala po odklopu.....	171
<b>8</b>	<b>Ustavitev .....</b>	<b>172</b>
8.1	Izklop izdelka .....	172
8.2	Recikliranje in odstranjevanje.....	172
<b>9</b>	<b>Servisna služba.....</b>	<b>172</b>
9.1	Servisna služba .....	172
<b>10</b>	<b>Tehnični podatki.....</b>	<b>172</b>



## 1 Varnost

### 1.1 Opozorila, povezana z akcijo

#### Klasifikacija opozoril, povezanih z akcijo

Opozorila, ki so povezana z akcijo, se stopnjujejo glede na težavnost možne nevarnosti z naslednjimi opozorilnimi znaki in signalnimi besedami:

#### Opozorilni znaki in signalne besede



##### **Nevarnost!**

Neposredna smrtna nevarnost ali nevarnost težkih telesnih poškodb



##### **Nevarnost!**

Smrtna nevarnost zaradi električnega udara



##### **Opozorilo!**

Nevarnost lažjih telesnih poškodb



##### **Previdnost!**

Nevarnost materialne škode ali škode za okolje

### 1.2 Namenska uporaba

V primeru nepravilne ali nenamenske uporabe lahko pride do nevarnosti za življenje in telo uporabnika ali tretjih oseb oz. do poškodbe na izdelku in drugih materialnih sredstvih.

Električno grelno jedro je namenjeno ogrevanju dela v pripravljenosti zalogovnika tople vode pri sistemu VIH R 300 - 500 in VIH S 300 - 500. Predvideno je posebej kot dodatno ogrevanje.

Za namensko uporabo je potrebno:

- upoštevati priložena navodila za uporabo, namestitvev in vzdrževanje za izdelke ter za vse druge komponente sistema
- izvesti namestitvev in montažo v skladu z odobritvijo izdelka in sistema
- upoštevati vse pogoje za servisiranje in vzdrževanje, ki so navedeni v navodilih.

Namenska uporaba poleg tega vključuje namestitvev v skladu z razredom IP.

Vsaka drugačna uporaba od načinov, ki so opisani v prisotnih navodilih, oz. uporaba izven tukaj opisane velja za neustrezno. Vsi drugačni načini uporabe, predvsem v komer-

cialne ali industrijske namene, veljajo za neustrezne.

#### **Pozor!**

Vsakršna zloraba je prepovedana.

### 1.3 Splošna varnostna navodila

#### 1.3.1 Nevarnost zaradi nezadostne usposobljenosti

**Veljavnost:** Ni za Rusijo

Naslednja dela smejo opravljati samo serviserji, ki so ustrezno usposobljeni:

**Veljavnost:** Rusija

Naslednja dela smejo opravljati samo certificirani inštalaterji Vaillant:

- Montaža
- Demontaža
- Priklop
- Zagon
- Servis in vzdrževanje
- Popravilo
- Ustavitev
- ▶ Upoštevajte vsa navodila, ki so priložena izdelkom.
- ▶ Postopajte v skladu s sodobnim stanjem tehnologije.
- ▶ Upoštevajte vse veljavne direktive, standarde, zakone in druge predpise.

#### 1.3.2 Smrtna nevarnost zaradi električnega udara

Če se boste dotaknili delov, ki so pod napetostjo, potem obstaja smrtna nevarnost zaradi električnega udara.

Pred izvajanjem del na izdelku:

- ▶ Z izklopom vseh električnih napajanj iz vseh polov poskrbite, da izdelek ni pod napetostjo (električna ločilna naprava z najmanj 3 mm razdalje med kontakti, npr. varovalka ali zaščitno stikalo napeljave).
- ▶ Izdelek zavarujte pred ponovnim vklopom.
- ▶ Preverite, da ni prisotne napetosti.

#### 1.3.3 Možnost materialne škode zaradi zmrzali

- ▶ Izdelek namestite samo v prostorih, ki jih ne ogroža zmrzal.

## 1 Varnost

### 1.3.4 Nevarnost opeklin ali oparin zaradi vročih konstrukcijskih delov

- ▶ Dela na konstrukcijskih delih izvajajte samo, ko so že ohlajeni.

### 1.3.5 Možnost materialne škode zaradi neprimernega orodja

- ▶ Za privijanje ali odvijanje vijčnih spojev uporabljajte ustrezno orodje.

### 1.3.6 Življenjska nevarnost zaradi manjkajočih varnostnih naprav

Sheme, ki so prisotne v tem dokumentu, ne prikazujejo vseh varnostnih naprav, ki so potrebne za pravilno namestitvev.

- ▶ V sistem namestite potrebne varnostne naprave.
- ▶ Upoštevajte veljavne nacionalne in mednarodne zakone, standarde in direktive.

### 1.4 Predpisi (direktive, zakoni, standardi)

- ▶ Upoštevajte nacionalne predpise, standarde, direktive in zakone.

## 2 Napotki k dokumentaciji

### 2.1 Upoštevanje pripadajočo dokumentacijo

- ▶ Obvezno upoštevajte vsa navodila za uporabo in namestitve, ki so priložena komponentam sistema.

### 2.2 Shranjevanje dokumentacije

- ▶ Ta navodila in vso pripadajočo dokumentacijo izročite upravljavcu sistema.

### 2.3 Veljavnost navodil

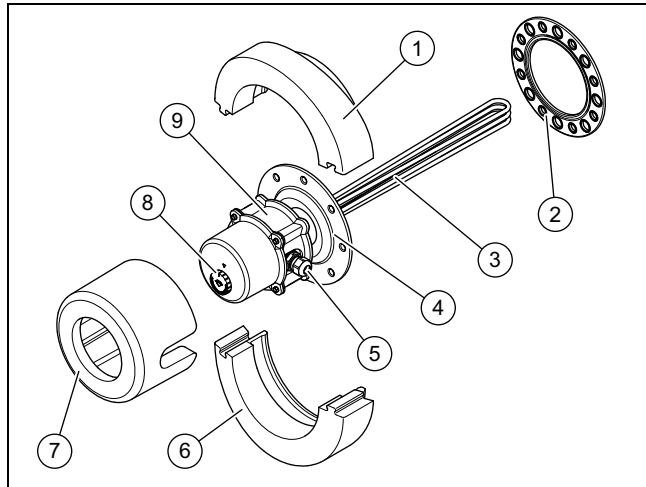
Ta navodila veljajo izključno za:

#### Izdelek – številka artikla

Električno grelno jedro	0020230734
-------------------------	------------

## 3 Opis izdelka

### 3.1 Zgradba izdelka



- |   |  |   |  |
|---|--|---|--|
| 1 | Izolacijski element zgornjega polobroča                              | 5 | Privitje z navojem PG za električni priključek |
| 2 | Tesnilo odprtine za čiščenje   | 6 | Izolacijski element spodnjega polobroča        |
| 3 | Grelne palice  | 7 | Izolacijska puša glave grelne palice           |
| 4 | Reducirna prirobnica, s tesnilom predhodno nameščena na glavo vijaka | 8 | Nastavitveni regulator                         |
|   |  | 9 | Tipska tablica                                 |

### 3.2 Oznaka CE



Oznaka CE potrjuje, da izdelki izpolnjujejo osnovne zahteve veljavnih direktiv v skladu s podatki na tipski ploščici.

Izjavo o skladnosti si lahko ogledate pri proizvajalcu.

## 4 Montaža

### 4.1 Preverjanje obsega dobave

- ▶ Preverite, ali je obseg dobave popoln in so vsi deli nepoškodovani.

Količina	Oznaka
1	Električno grelno jedro
1	Reducirna prirobnica
1	Tesnilo odprtine za čiščenje
1	Navodila za uporabo in namestitve

## 5 Priklp



#### Previdnost!

**Možnost materialne škode zaradi korozije in kratkega stika kot posledica odsotnosti ozemljitve**

Pri vstavitvi električnega grelnega jedra v zalogovnik se lahko na grelnem jedru pojavi elektrokemična korozija, ki jo povzroča električni potencial zaradi prisotnosti zunanje napetosti.

- ▶ Prepričajte se, da sta tako cev tople vode kot tudi cev hladne vode neposredno na zalogovniku z ozemljitvenim kablom povezani na glavno ozemljitveno objemko.
- ▶ Poleg tega se prepričajte, da je tudi električno grelno jedro prek ozemljitvene sponke priključeno na glavno ozemljitveno objemko.

Električne napeljave sme namestiti samo usposobljen električar.

Električno grelno jedro lahko namestite samo vodoravno. Navpična vgradnja ni dovoljena.

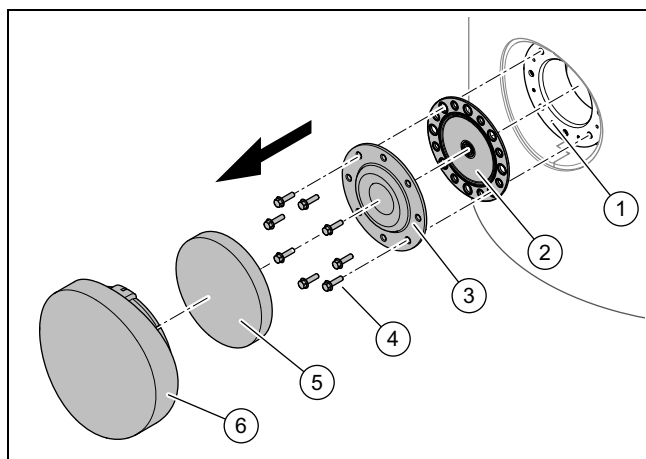
Za priključitev na elektriko uporabite omrežni priključni kabel, ki je primeren za temperature do 80 °C.

Preden zaženete električno grelno jedro, se prepričajte, da je zalogovnik tople vode napolnjen.

Za dolgotrajno delovanje električnega grelnega jedra priporočamo naslednjo minimalno kakovost sveže vode: vsebnost klorida < 120 mg/l, trdota vode < 2,4965 mmol/l (< 14 °dH; < 24,987 °fH; < 140 mg CaCO<sub>3</sub>/l; < 249,87 mg CaCO<sub>3</sub>/l; < 249,87 ppm (mg CaCO<sub>3</sub>/l)). Če je trdota vode visoka, priporočamo uporabo sistema za mehčanje vode.

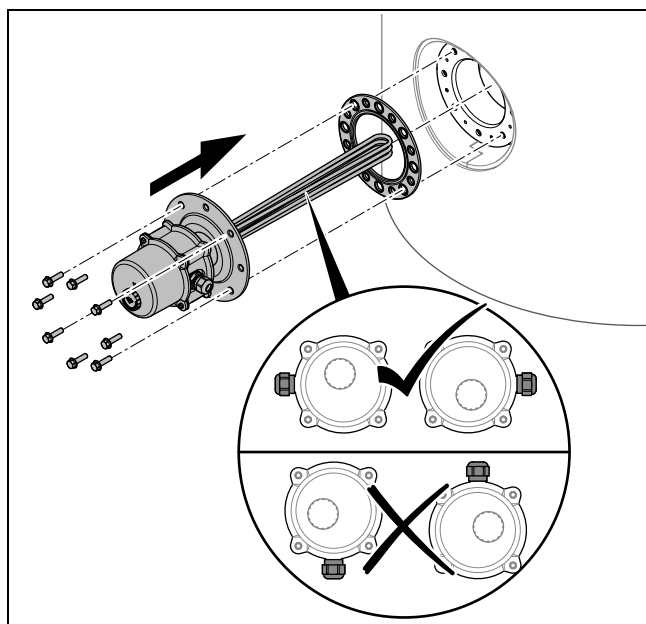
## 5 Priklop

### 5.1 Odstranitev odprtine za čiščenje



1. Po potrebi zalogovnik tople vode odklopite z električnega napajanja.
2. Izpraznite zalogovnik tople vode.
3. Odstranite izolacijska elementa (5) in (6).
4. Odstranite vijake (4) za pritrditev pokrova (3) odprtine za čiščenje(1).
5. Odstranite pokrov in tesnilo (2).

### 5.2 Namestitev električnega grelnega jedra



1. Uporabite priloženo novo tesnilo za odprtino za čiščenje.



#### **Nevarnost!**

#### **Možnost materialne škode zaradi prekomernega zategovanja navoja**

Reducirna prirobnica je z določenim vrtilnim momentom predhodno nameščena na navoj električnega grelnega jedra, tako da so slika izvrtine in grelne palice v idealnem medsebojnem položaju. Če reducirno prirobnico še dodatno privijete na navoj električnega grelnega jedra, lahko s tem poškodujete navoj.

- Električno grelno jedro namestite s tako predhodno nameščeno reducirno prirobnico, kot ste jo prejeli ob dobavi.

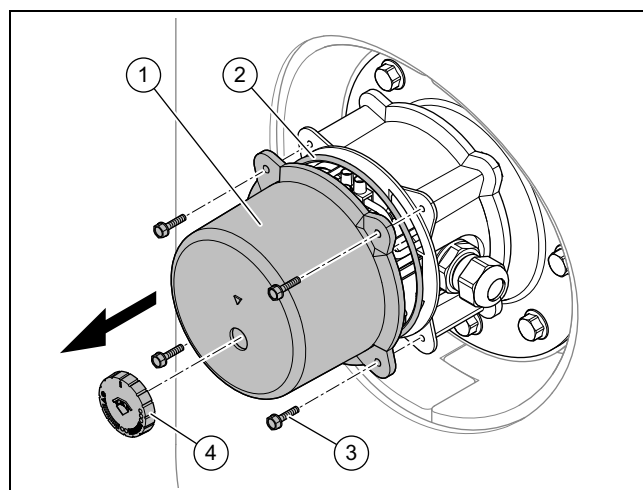
2. Namestite električno grelno jedro, kot je prikazano na sliki.
3. Navzkrižno privijte vijake na reducirni prirobnici.

### 5.3 Vzpostavitev električne napetosti

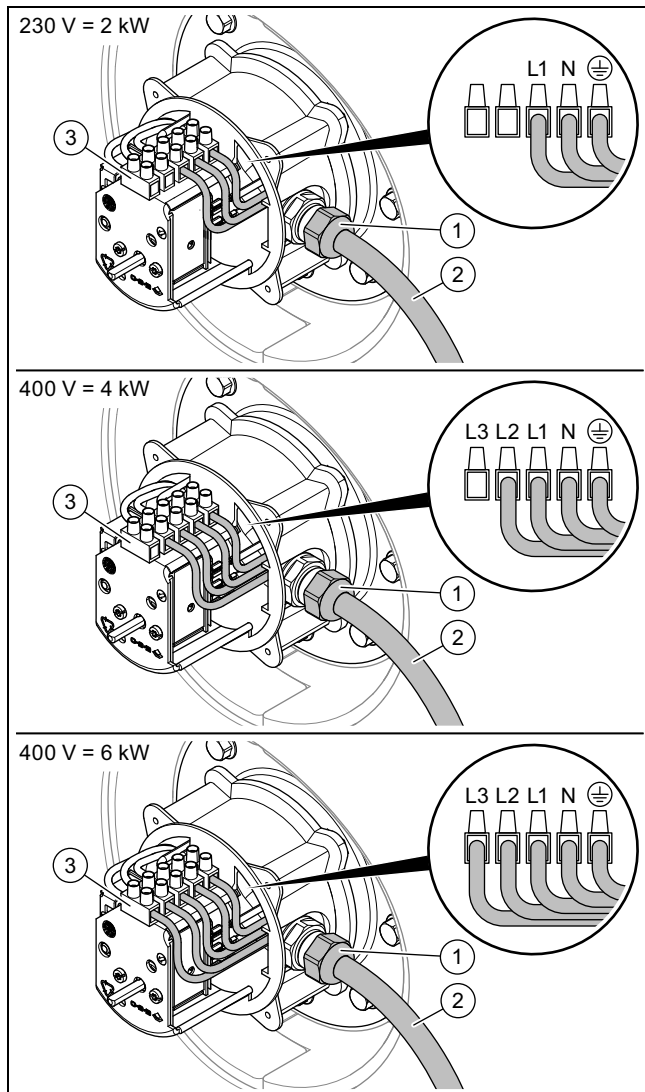
Zunanji omrežni priključni kabel mora biti ozemljen, imeti mora ustrezno polariteto in priključen mora biti v skladu z veljavnimi predpisi.

- Za fiksno omrežno priključitev vgradite ločilno napravo, ki zagotavlja prekinitev vseh polov z najmanj 3 mm razmika med kontakti vsakega pola (npr. varovalke ali odklopniki).

### 5.4 Električna priključitev



1. Snemite vrtljivi gumb (4) z nastavitvenega regulatorja.
2. Odstranite vse štiri vijake s šestorobo glavo (3).
3. Snemite ohišje priključka (1) in tesnilo (2).

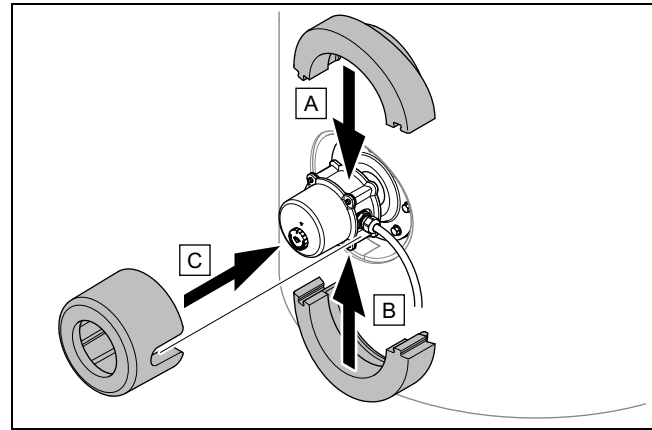


4. Napeljite kabel (2) skozi odprtino za omrežni priključek na ohišju in ga pritrdite s privitjem z navojem PG(1).
  - Priporočen zatezni moment:  $\leq 6,0$  Nm
5. Priključite žile na priključno letev (3).
6. Namestite tesnilo in ohišje priključka ter vse štiri vijake s šestorobo glavo.
  - Priporočen zatezni moment:  $\leq 1,9$  Nm
7. Namestite vrtljivi gumb na nastavitveni regulator.

## 6 Zagon

### 6.1 Zagon električnega grelnega jedra

1. Napolnite zalogovnik tople vode.
2. Preverite tesnjenje odprtine za čiščenje.



3. Namestite izolacijska elementa.
4. Vključite električno napajanje.
5. Z nastavitvenim kolesom nastavite temperaturo segrevanja električnega grelnega jedra.

## 7 Odpravljanje motenj

### 7.1 Delovanje termičnega varovalca

Če temperatura vode v zalogovniku preseže  $95\text{ }^{\circ}\text{C}$ , termično varovalo (STB) na električnem grelnem jedru prekine napajanje.

### 7.2 Sprostitev termičnega varovalca po odklopu



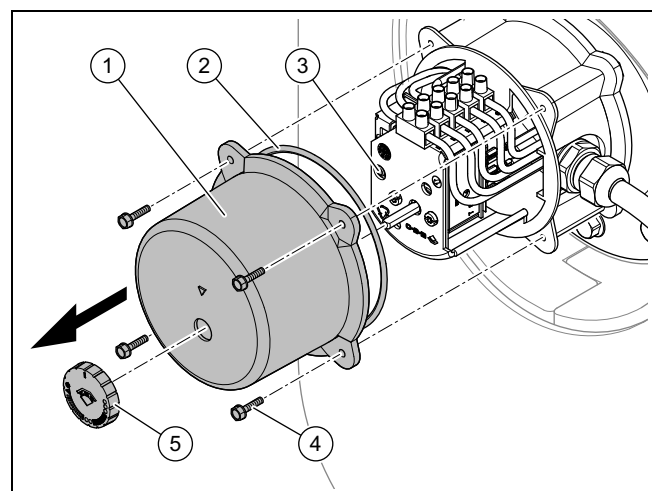
#### Previdnost!

#### Možnost materialne škode zaradi pregrevanja!

Če napaka, ki je povzročila izklop izdelka, ni odpravljena, lahko pride do poškodb izdelka.

- Varnostni omejevalnik temperature ponovno vključite šele, ko je odpravljen vzrok napake, ki je povzročila sprožitev varnostnega omejevalnika temperature.

1. Izklopite električno napajanje.
2. Z električnega grelnega jedra odstranite izolacijska elementa.



3. Snemite vrtljivi gumb (5) z nastavitvenega regulatorja.

## 8 Ustavitev

4. Odstranite vse štiri vijake s šesterorobo glavo (4).
5. Snemite ohišje priključka (1) in tesnilo (2).
6. Pritisnite gumb za sprostitvev termičnega varovala (3).
7. Namestite tesnilo in ohišje priključka ter vse štiri vijake s šesterorobo glavo.
8. Namestite vrtljivi gumb na nastavitveni regulator.
9. Namestite izolacijska elementa.
10. Vključite električno napajanje.

## 8 Ustavitev

### 8.1 Izklop izdelka

1. Izklopite napajanje električnega grelnega jedra.
2. Odklopite napajalni kabel.
3. Izpraznite zalogovnik tople vode.
4. Odstranite električno grelni jedro.
5. Namestite tesnilo in pokrov odprtine za čiščenje.
6. Namestite pokrov odprtine za čiščenje.

### 8.2 Recikliranje in odstranjevanje

#### Odstranjevanje embalaže

- ▶ Poskrbite za pravilno odstranitev embalaže.
- ▶ Upoštevajte vse ustrezne predpise.

## 9 Servisna služba

### 9.1 Servisna služba

Kontaktne podatke naše servisne službe najdete v prilogi in na naši spletni strani.

## 10 Tehnični podatki

	električno grelni jedro 2–6 kW
Nazivna izhodna moč	2; 4; 6 kW
Dovoljena temperatura okolice med delovanjem	0 ... 40 °C
Dovoljena vlažnost v %	< 75 (shranjevanje za dalj časa); < 93 (med transportom)
Priporočena maksimalna trdota sanitarne vode	≤ 14 °dH
Območje nastavitve za temperaturo	28 ... 70 °C
Dovoljena temperatura shranjevanja vode	7 ... 85 °C
Temperatura delovanja za toplo vodo	65 °C
Maksimalna temperatura shranjevanja sanitarne vode	≤ 95 °C
Maksimalen delovni tlak sanitarne vode	≤ 1 MPa (≤ 10 bar)
Termalna zaščita pred izklopom pri suhem delovanju	95 °C <sup>+8 K</sup>
Minimalna temperatura za zaščito proti zmrzovanju	≥ 7 °C

	električno grelni jedro 2–6 kW
Maksimalna temperatura glave grelne palice	≤ 95 °C
Maksimalna temperatura površine grelne palice	≤ 150 °C
Maksimalna površinska zmogljivost	maks. 14,1 W/cm <sup>3</sup>
Dolžina vhoda (potopna globina)	450 mm
Premer vhoda	≈ 36,5 mm
Premer grelne palice	6,5 mm
Material grelnih palic	2.4858 / Incoloy 825
Material glave grelne palice	1.4404
Širina ključa glave grelne palice	Dim. 60 mm
Priključek navoja	G 1 1/2 B palca
Priporočen zatezni moment glave grelne palice	90 ... 100 Nm
Dolžina glave grelne palice	≈ 160 mm
Material ohišja priključka	PA6 GF30
Neto teža glave grelne palice	1,36 kg
Električna napetost	1 N PE ~230 V AC/50 Hz 1x 16 A; 3 N PE ~400 V AC/50 Hz 3 x 16 A
Stopnja zaščite	IP54 (DIN EN 60529)
Razred električne zaščite	I
Prenapetostna kategorija	II

## Manuali i përdorimit

### Përmbajtja

<b>1</b>	<b>Siguria .....</b>	<b>174</b>
1.1	Udhëzime paralajmëruese për përdorimin .....	174
1.2	Përdorimi sipas destinimit.....	174
1.3	Udhëzime të përgjithshme për sigurinë .....	174
1.4	Rregullore (Direktiva, Ligje, Norma) .....	175
<b>2</b>	<b>Udhëzime për dokumentacionin .....</b>	<b>176</b>
2.1	Ndiqui dokumentet përkatëse.....	176
2.2	Ruani dokumentet.....	176
2.3	Vlefshmëria e manualit .....	176
<b>3</b>	<b>Përshkrimi i produktit .....</b>	<b>176</b>
3.1	Ndërtimi i produktit.....	176
3.2	Shenja-CE .....	176
<b>4</b>	<b>Funksionimi .....</b>	<b>176</b>
4.1	Pasqyrë e funksionit të rregullatorit kontrollues .....	176
<b>5</b>	<b>Zgjidhja e defektit.....</b>	<b>177</b>
5.1	Identifikimi dhe zgjidhja e defekteve .....	177
<b>6</b>	<b>Kujdesi dhe mirëmbajtja.....</b>	<b>177</b>
6.1	Përkujdesja ndaj produktit .....	177
<b>7</b>	<b>Nxjerrja jashtë pune .....</b>	<b>177</b>
7.1	Përkohësisht nxirri produktin jashtë pune.....	177
7.2	Përfundimisht produkti të nxirret jashtë pune ....	177
7.3	Riciklimi dhe mënjanimi .....	177
<b>8</b>	<b>Garancia dhe shërbimi i klientëve.....</b>	<b>177</b>
8.1	Garancia .....	177
8.2	Shërbimi i klientit.....	177

# 1 Siguria

## 1 Siguria

### 1.1 Udhëzime paralajmëruese për përdorimin

#### Klasifikimi i udhëzimeve të paralajmërimeve lidhur me veprimet

Udhëzimet paralajmëruese të përdorimit jepen si më poshtë me shenja paralajmëruese dhe fjalë sinjalizuese sipas seriozitetit të rrezikut të mundshëm:

#### Shenjat paralajmëruese dhe fjalët sinjalizuese



##### Rrezik!

rrezik i drejtpërdrejtë për jetën ose rrezik dëmtimeve të rënda tek personat



##### Rrezik!

Rrezik për jetën si pasojë e goditjes elektrike



##### Paralajmërim!

Rrezik dëmsh të lehta në persona



##### Kujdes!

Rrezik dëmsh materiale ose dëmtimi të mjedisit

### 1.2 Përdorimi sipas destinimit

Një përdorim i papërshtatshëm ose jo sipas destinimit mund të përbëjë rrezik për trupin dhe jetën e përdoruesit ose palëve të treta, ose dëmtim të produkteve dhe sendeve të tjera me vlerë.

Shufra elektrike ngrohëse shërben për ngrohjen e pjesës së gatishmërisë së rezervuarit të ujit të ngrohtë VIH R 300 - 500 dhe VIH S 300 - 500. Ajo është paraparë në mënyrë të posaçme si ngrohje plotësuese.

Përdorimi sipas destinimit përfshin:

- ndjekjen e udhëzimeve të bashkangjitura të përdorimit të produktit, si dhe të gjitha komponentave tjera të pajisjes
- respektimi i gjithë kushteve të inspektimeve dhe të mirëmbajtjes siç përshkruhet në manual.

Ky produkt mund të përdoret nga fëmijë mbi 8 vjeç dhe nga personat me aftësi fizike, ndjesore ose mendore si dhe ata pa përvojë dhe njohuri, vetëm me mbikëqyrje ose nëse janë mësuar për përdorimin e sigurit të

përdorimit të produktit dhe kuptojnë rreziqet përkatëse. Fëmijët nuk duhet të luajnë me produktin. Pastrimi dhe mirëmbajtja nga përdoruesi nuk duhet të kryhen nga fëmijët pa mbikëqyrje.

Një përdorim ndryshe nga ai i përshkruar në manualin bashkëngjitur ose një përdorim jashtë destinimit që përshkruhet, vlen si përdorim jo sipas destinimit. Përdorimi jo sipas destinimit është edhe çdo përdorim komercial dhe industrial.

#### Kujdes!

Çdo përdorim abuziv është i ndaluar.

### 1.3 Udhëzime të përgjithshme për sigurinë

#### 1.3.1 Rrezik nga keqkomandimi

Përmes keqkomandimit mund të rrezikoni veten tuaj dhe të tjerët si dhe të shkaktoni dëme materiale.

- ▶ Lexoni me kujdes udhëzuesin përkatës dhe dokumentet bashkëngjitur veçanërisht kapitullin "Siguria" dhe paralajmërimet.
- ▶ Ndërmerrni vetëm veprimet, për të cilat ju udhëzon udhëzuesi aktual i përdorimit.

#### 1.3.2 Rrezik i një dëmi material nga ngrica

- ▶ Sigurohuni që impianti i ngrohjes të qëndrojë në punë edhe në ngricë dhe gjithë dhomat të jenë të temperuara.
- ▶ Nëse nuk e siguron dot përdorimin, atëherë lëreni specialistin të boshatisë impiantin e ngrohjes.

#### 1.3.3 Rrezik të jetës nga ndryshimet në produkt ose në rrethin e produktit

- ▶ Në asnjë rast mos i hiqni, mbushni ose bllokoni mekanizmat e sigurisë.
- ▶ Mos manipuloni me mekanizmat e sigurisë.
- ▶ Mos i shkatërroni apo hiqni vulat nga komponentët.
- ▶ Mos bëni kurrfarë ndryshimesh:
  - në produkt
  - në furnizuesit për ujë dhe korrent
  - tek valvuli i sigurisë
  - tek tubacionet e shkarkimit



- te elementet ndërtuese, të cilat mund të kenë ndikim në sigurinë e punës së produktit

#### **1.3.4 Rreziku nga lëndimet de rreziku nga dëmtimet përmes mirëmbajtjes dhe riparimeve joprofesionale ose mungesës së tyre**

- ▶ Asnjëherë mos provoni, vetë t'i bëni punët e mirëmbajtjes dhe riparimeve në produktin Tuaj.
- ▶ Defektet dhe dëmtimet le t'i rregullojë menjëherë një mjeshër profesional.
- ▶ Përmbajuni intervalet e dhëna të mirëmbajtjes.

#### **1.4 Rregullore (Direktiva, Ligje, Norma)**

- ▶ Respektoni rregullat, normat, direktivat dhe ligjet kombëtare.

## 2 Udhëzime për dokumentacionin

### 2 Udhëzime për dokumentacionin

#### 2.1 Ndiqni dokumentet përkatëse

- ▶ Respektoni patjetër gjithë udhëzimet e përdorimit të komponentëve të impiantit.

#### 2.2 Ruani dokumentet

- ▶ Ruajeni këtë manual si dhe dokumentet bashkëngjitur për përdorimin e ardhshëm.

#### 2.3 Vlefshmëria e manualit

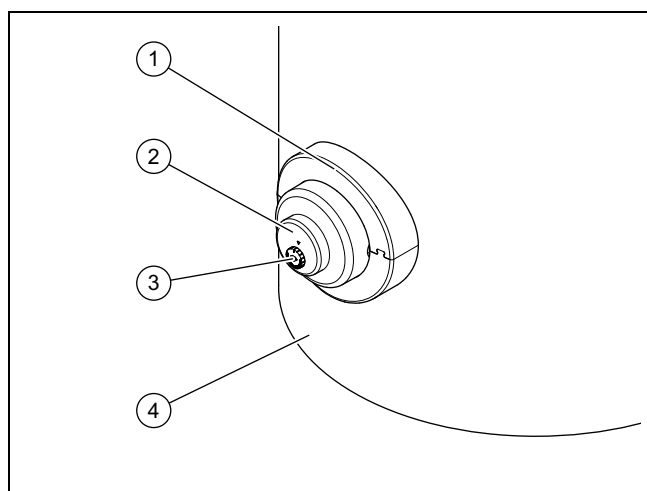
Ky manual vlen vetëm për:

#### Produkti - numri i artikullit

Shufra ngrohëse elektrike	0020230734
---------------------------	------------

## 3 Përshkrimi i produktit

### 3.1 Ndërtimi i produktit



- |                                |  |
|--------------------------------|--|
| 1 Pllaka e tipit (nën kapakun) | 3 Rregullatori kontrollues i temperaturës së ujit të ngrohtë |
| 2 Shufra ngrohëse elektrike    | 4 Zjerësi  |

### 3.2 Shenja-CE



Me shenjën-CE dokumentohet se produktet përmbushin kriteret bazë të gjitha direktivave në fuqi të paraqitura në pllakën e llojit të produktit.

Deklarata e konformitetit mund të miratohet nga prodhuesi.

## 4 Funksionimi

### 4.1 Pasqyrë e funksionit të rregullatorit kontrollues

Pozicioni i Rregullatorit kontrollues	Funksioni
	FIKUR
	Mbrojtja nga ngrica
	Temperatura e ujit rreth 40 °C
	Temperatura e ujit rreth 60 °C
	Temperatura e ujit rreth 70 °C
	Funksioni normal Temperatura e ujit rreth 65 °C

### 5 Zgjidhja e defektit

#### 5.1 Identifikimi dhe zgjidhja e defekteve

**Kushtet:** Temperatura e ujit të ngrohtë nuk e arrin temperaturën e rregulluar

- ▶ Kufizuesi i temperaturës së sigurisë eventualisht është aktivizuar. Lajmëroni një specialist.

### 6 Kujdesi dhe mirëmbajtja

#### 6.1 Përkujdesja ndaj produktit



##### Kujdes!

**Rrezik i një dëmi material nga përdorimi i një pastruesi të papërshtatshëm!**

- ▶ Mos përdorni spërkatës, lëndë gërryese, shpëlarës, tretësira ose pastrues me përmbajtje klori.
- 
- ▶ Pastroni veshjen me leckë të njomë dhe pak sapun pa tretës.

### 7 Nxjerrja jashtë pune

#### 7.1 Përkohësisht nxirri produktin jashtë pune

1. Vendosni rregullatorin kontrollues në pozicionin "FIKUR".
2. Sigurohuni, se është e garantuar një mbrojtje e mjaftueshme nga ngrica.

#### 7.2 Përfundimisht produkti të nxirret jashtë pune

- ▶ Kujdesuni që produkti të nxirret përfundimisht jashtë pune nga një specialist.

#### 7.3 Riciklimi dhe mënjanimi



Nëse produkti është i shënuar me këtë simbol:

- ▶ Në këtë rast mos e shkarkoni produktin mbi mbeturinat e shtëpisë.
- ▶ Përkundrazi te jipet produkti në një vend grumbullimi për paisje elektronike.



Nëse produkti përmban bateri, të cilat janë të shënuara me këtë shenjë, atëherë bateritë mund të përmbajnë substanca ndotëse për shëndetin.

- ▶ Në këtë rast shkarkoni bateritë në një vend grumbullimi për bateri.

### 8 Garancia dhe shërbimi i klientëve

#### 8.1 Garancia

Informacionet e garancisë Ju lutemi kërkonin në adresën e kontaktit tek shtojca.

#### 8.2 Shërbimi i klientit

Të dhënat e kontaktit të shërbimit tonë të klientit i gjeni tek shtojca ose në faqen tonë të internetit.

# Përmbajtja

## Udhëzuesi i instalimit

### Përmbajtja

<b>1</b>	<b>Siguria .....</b>	<b>179</b>
1.1	Udhëzime paralajmëruese për përdorimin .....	179
1.2	Përdorimi sipas destinimit.....	179
1.3	Udhëzime të përgjithshme për sigurinë .....	179
1.4	Rregullore (Direktiva, Ligje, Norma) .....	180
<b>2</b>	<b>Udhëzime për dokumentacionin .....</b>	<b>181</b>
2.1	Ndiqni dokumentet përkatëse .....	181
2.2	Ruani dokumentet.....	181
2.3	Vlefshmëria e manualit .....	181
<b>3</b>	<b>Përshkrimi i produktit .....</b>	<b>181</b>
3.1	Ndërtimi i produktit.....	181
3.2	Shenja-CE .....	181
<b>4</b>	<b>Montimi.....</b>	<b>181</b>
4.1	Kontrolloni përmbajtjen e ambalazhit .....	181
<b>5</b>	<b>Instalimi .....</b>	<b>181</b>
5.1	Çmontimi i hapjes së revizionit .....	182
5.2	Montimi i shufrës ngrohëse elektrike .....	182
5.3	Realizoni ushqimin me energji.....	182
5.4	Instalimi elektrik .....	182
<b>6</b>	<b>Vënia në punë .....</b>	<b>183</b>
6.1	Vënia në funksion e shufrës ngrohëse elektrike .....	183
<b>7</b>	<b>Zgjidhja e defektit.....</b>	<b>183</b>
7.1	Funksioni i kufizuesit të temperaturës së sigurisë .....	183
7.2	Zhblokoni kufizuesin e temperaturës së sigurisë pas fikjes .....	183
<b>8</b>	<b>Nxjerrja jashtë pune .....</b>	<b>184</b>
8.1	Nxjerrja e produktit jashtë pune .....	184
8.2	Riciklimi dhe mënjanimi .....	184
<b>9</b>	<b>Shërbimi i klientit.....</b>	<b>184</b>
9.1	Shërbimi i klientit.....	184
<b>10</b>	<b>Të dhëna teknike .....</b>	<b>184</b>

## 1 Siguria

### 1.1 Udhëzime paralajmëruese për përdorimin

#### Klasifikimi i udhëzimeve të paralajmërimeve lidhur me veprimet

Udhëzimet operacionale janë shkallëzuar si vijon me shenjat paralajmëruese dhe fjalët sinjalizuese lidhur me rrezikun e mundshëm:

#### Shenja paralajmëruese dhe fjalë sinjalizuese



##### Rrezik!

Rrezik jete ose rrezik dëmsh të rënda në persona



##### Rrezik!

Rrezik për jetën si pasojë e goditjes elektrike



##### Paralajmërim!

Rrezik dëmsh të lehta në persona



##### Kujdes!

Rrezik dëmsh materiale ose dëmsh për mjedisin

### 1.2 Përdorimi sipas destinimit

Një përdorim i papërshtatshëm ose jo sipas destinimit mund të përbëjë rrezik për trupin dhe jetën e përdoruesit ose palëve të treta, ose dëmtim të produkteve dhe sendeve të tjera me vlerë.

Shufra elektrike ngrohëse shërben për ngrohjen e pjesës së gatishmërisë së rezervuarit të ujit të ngrohtë VIH R 300 - 500 dhe VIH S 300 - 500. Ajo është paraparë në mënyrë të posaçme si ngrohje plotësuese.

Përdorimi sipas destinimit përfshin:

- ndjekjen e udhëzimeve të bashkangjitura të përdorimit, instalimit dhe mirëmbajtjes të produktit si dhe komponentëve të tjerë të pajisjes
- instalimin dhe montimin sipas lejës së produktit dhe sistemit
- respektimi i gjithë kushteve të inspektimeve dhe të mirëmbajtjes siç përshkruhet në manual.

Përdorimi i drejtë përfshin përveç tjerash instalimin sipas IP-klasës.

Një përdorim ndryshe nga ai i përshkruar në manualin bashkëngjitur ose një përdorim

jashtë destinimit që përshkruhet, vlen si përdorim jo sipas destinimit. Përdorimi jo sipas destinimit është edhe çdo përdorim komercial dhe industrial.

#### Kujdes!

Çdo përdorim abuziv është i ndaluar.

### 1.3 Udhëzime të përgjithshme për sigurinë

#### 1.3.1 Rrezik nga kushtet e pamjaftueshme

**Vlefshmëria:** Nuk vlen për Rusinë

Punimet e mëposhtme duhet të kryhen vetëm nga teknikët profesionistë, të specializuar për këtë:

**Vlefshmëria:** Rusi

Punimet e mëposhtme duhet të kryhen vetëm nga Vaillant teknikët profesionistë të certifikuar, të specializuar për këtë:

- Montimi
- Çmontimi
- Instalimi
- Vënia në punë
- Inspektimi dhe mirëmbajtja
- Riparimet
- Nxjerrja jashtë pune
- ▶ Respektoni gjithë udhëzimet që shoqërojnë produktin.
- ▶ Veproni sipas gjendjes aktuale teknike.
- ▶ Respektoni direktivat, normat, ligjet dhe rregulloret e tjera.

#### 1.3.2 Rrezik për jetën si pasojë e goditjes elektrike

Kur prekni komponentët me tension, ka rrezik goditjeje elektrike.

Përpara se të punoni në produkt:

- ▶ Vendoseni produktin pa tension, duke fikur gjithë furnizimet me energji në gjithë polet (separator elektrik me hapësirë kontakti minimalisht 3 mm, p. sh. siguresa ose çelësi mbrojtës i tubacionit).
- ▶ Siguroni që të mos rindizet.
- ▶ Kontrolloni që të mos ketë tension.

## 1 Siguria

### 1.3.3 Rreziku i një dëmi material nga ngrica

- ▶ Instaloheni produktin vetëm në ambiente jo të rrezikuara nga ngrica.

### 1.3.4 Rrezik djegieje ose përvëlimi si pasojë e pjesëve të nxehta

- ▶ Punoni me pjesët vetëm pasi këto të jenë ftohura.

### 1.3.5 Rrezik nga një dëmtim nëpërmjet veglave të papërshtatshme

- ▶ Për t'i tërhequr apo për t'i liruar lidhjet me vidha, përdorni veglat profesionale.

### 1.3.6 Rrezik për jetë nga mungesa e mekanizmave të sigurisë

Skemat që janë në këtë dokument nuk i paraqesin të gjithë mekanizmat të sigurisë të nevojshëm për një instalim profesional.

- ▶ Instaloni në pajisje mekanizmat e nevojshëm të sigurisë.
- ▶ Vini re ligjet, normat dhe udhëzimet përkatëse nacionale dhe internacionale.

## 1.4 Rregullore (Direktiva, Ligje, Norma)

- ▶ Respektoni rregullat, normat, direktivat dhe ligjet kombëtare.

## 2 Udhëzime për dokumentacionin

### 2.1 Ndiqni dokumentet përkatëse

- ▶ Ndiqni patjetër të gjithë udhëzimet e përdorimit dhe instalimit, komponentët e impiantit janë bashkëngjitur.

### 2.2 Ruani dokumentet

- ▶ Kalojani këtë manual dhe dokumentet bashkëngjitur përdoruesit të impiantit.

### 2.3 Vlefshmëria e manualit

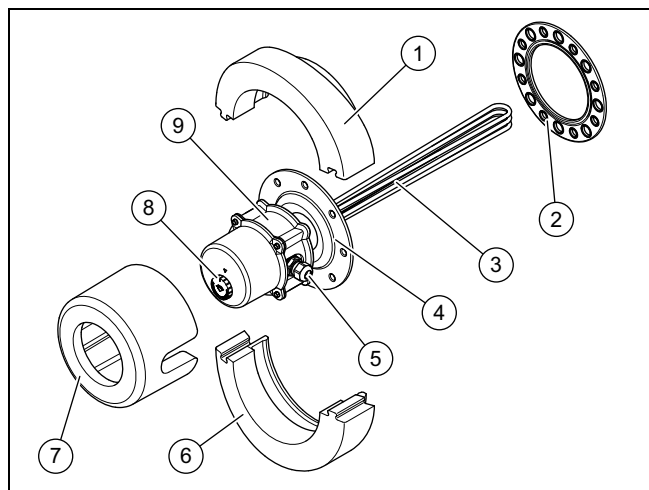
Ky manual vlen vetëm për:

#### Produkti - numri i artikullit

Shufra ngrohëse elektrike	0020230734
---------------------------	------------

## 3 Përshkrimi i produktit

### 3.1 Ndërtimi i produktit



- |  |   |
|--|---|
| 1 Element izolues i gjysmërrethit të sipërm                      | 5 PG-vidhosje për lidhje elektrike            |
| 2 Vulosja Hapja e revizionit                                     | 6 Element izolues i gjysmërrethit të poshtëm  |
| 3 Shufrat ngrohëse   | 7 Veshje izoluese e kokës së shufrës ngrohëse |
| 4 Reduktues paraprakisht i montuar, me vulosje në kokën e vidhës | 8 Rregullatori kontrollues                    |
|  | 9 Tabela e tipit                              |

### 3.2 Shenja-CE



Me shenjën-CE dokumentohet se produktet përmbushin kriteret bazë të gjitha direktivave në fuqi të paraqitura në pllakën e llojit të produktit.

Deklarata e konformitetit mund të miratohet nga prodhuesi.

## 4 Montimi

### 4.1 Kontrolloni përmbajtjen e ambalazhit

- ▶ Kontrolloni përmbajtjen e ambalazhit për tërësinë dhe paprekshmërinë e tij.

Sasia	Përshkrimi
1	Shufra ngrohëse elektrike
1	Reduktuesi
1	Vulosja Hapja e revizionit
1	Manuali i përdorimit dhe instalimit

## 5 Instalimi



#### Kujdes!

**Rreziku i dëmtimit përmes korrozionit dhe qarkut të shkurtë përmes mungesës së tokëzimit**

Kur në rezervuar e vendosni shufrën ngrohëse elektrike, për shkak të ekzistimit të tensionit të jashtëm të rrymës elektrike mund të krijohet në ujë një potencial elektrik, i cili mund të shkaktojë korrozion elektrokimik në shufrën ngrohëse elektrike.

- ▶ Sigurohuni, që si tubat e ujit të ngrohtë ashtu edhe tubat e ujit të ftohtë drejtpërdrejtë në rezervuar të jenë të lidhura me kabllon e tokëzimit në shinën kryesore të tokëzimit.
- ▶ Mes tjerash sigurohuni, që përmes kapëses së tokëzimit të lidhet edhe shufra ngrohëse elektrike në shinën kryesore të tokëzimit.

Instalimi elektrik duhet të kryhet vetëm nga një electricist.

Shufra ngrohëse elektrike mund të montohet vetëm në mënyrë horizontale. Montimi vertikal nuk është i lejuar.

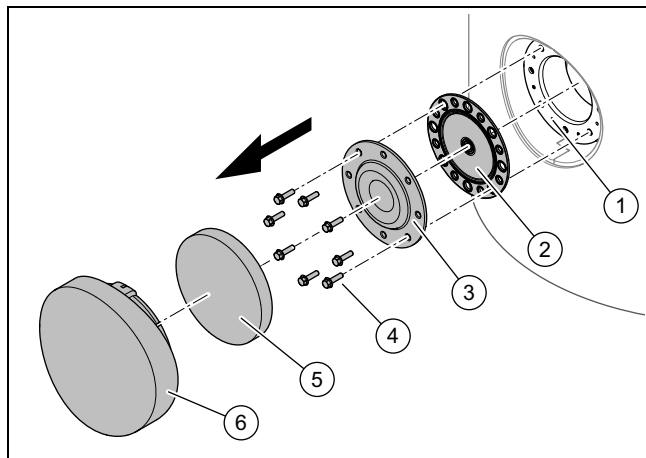
Për lidhjen elektrike përdorni një kablo për lidhje në rrjet, e cila është e paraparë për temperaturë prej 80 °C.

Sigurohuni, që rezervuari i ujit të ngrohtë të jetë i mbushur, para se ta vëni në funksion shufrën ngrohëse elektrike.

Për të përfutur një funksionalitet afatgjatë të shufrës ngrohëse elektrike, këshillohet që uji i pastër të ketë të paktën cilësitë e mëposhtme: përmbajtja klori < 120 mg/l, fortësia e ujit < 2,4965 mmol/l (< 14°dH; < 24,987°FH; < 140 mg CaCO<sub>3</sub>/l; < 249,87 mg CaCO<sub>3</sub>/l; < 249,87 ppm (mg CaCO<sub>3</sub>/l)). Në raste të fortësisë më të lartë të ujit rekomandohet përdorimi i një pajisjeje për zbutjen e ujit!

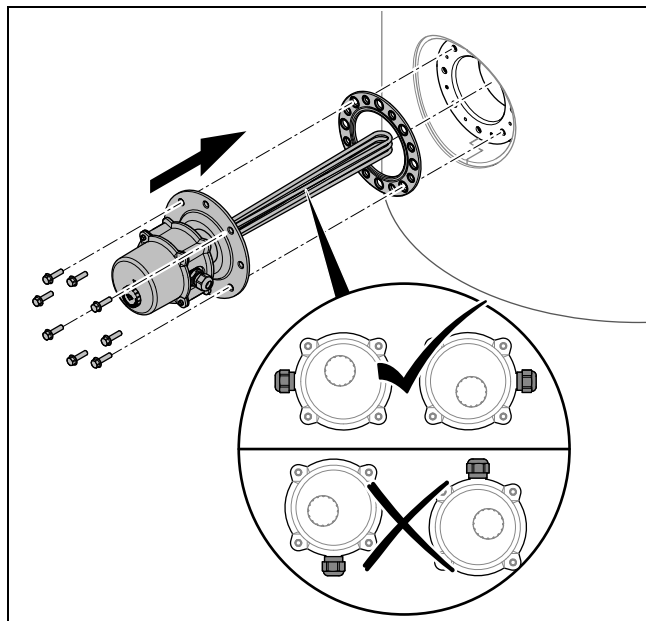
## 5 Instalimi

### 5.1 Çmontimi i hapjes së revizionit



1. Vendoseni rezervuarin e ujit të ngrohtë sipas nevojës në gjendje pa tension.
2. Zbrazni rezervuarin e ujit të ngrohtë.
3. Hiqni elementet izoluese (5) dhe (6).
4. Çmontoni vidhat (4) për përforsim të kapakut (3) të hapjes së revizionit (1).
5. Hiqni kapakun dhe vulosjen(2).

### 5.2 Montimi i shufrës ngrohëse elektrike



1. Përdorni vulosjen e re të liferuar për hapjen e revizionit.



#### Rrezik!

#### Rreziku i dëmtimit nga shtrëngimi i tepërt i vidhës

Reduktuesi është paraprakisht i montuar në filetimin e shufrës ngrohëse elektrike me numër të caktuar rrotullimesh, ashtu që vrimat e shpuara dhe shufrat ngrohëse gjendet në gjendje ideale me njëra tjetrën. Nëse reductuesin e shtrëngoni më tej në filetimin e shufrës ngrohëse elektrike, filetimi mund të dëmtohet.

- Montoni shufrën ngrohëse elektrike me reductuesin paraprakisht të montuar ashtu siç është liferuar.

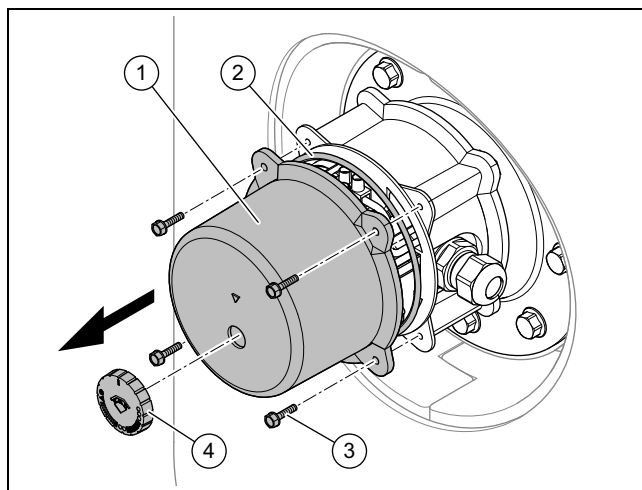
2. Montoni shufrën ngrohëse elektrike si është paraqitur.
3. Shtërngoni vidhat e reductuesit në kryq.

### 5.3 Realizoni ushqimin me energji

Kabloja e jashtme e lidhjes në rrjet duhet të jetë e tokëzuar si dhe të lidhet me polaritetin e drejtë dhe sipas rregulloreve në fuqi.

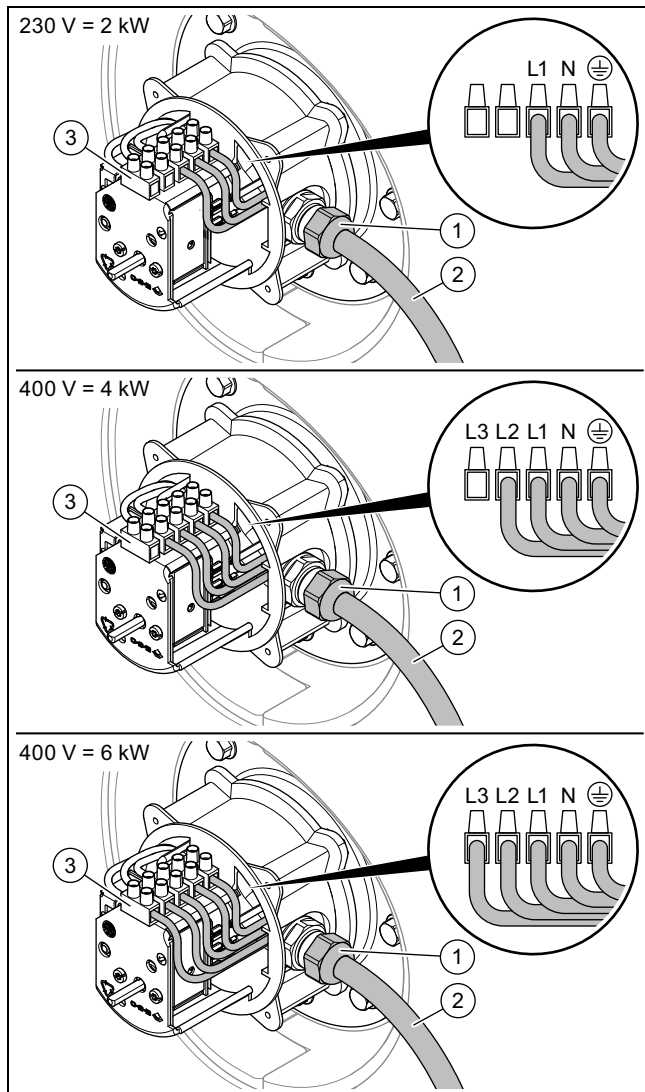
- Instaloni për kablrot e lidhjes së rrjetit një mekanizëm për ndarjen e të gjitha poleve nga rrjeti me një gjerësi të hapjes së kontaktit prej më së paku 3 mm për çdo pol (psh. siguresa ose çelës).

### 5.4 Instalimi elektrik



1. Hiqni pullën rrotulluese (4) nga rregullatori kontrollues.
2. Çmontoni katër vidhat heksagonale (3).
3. Hiqni shtëpizën për lidhje (1) dhe vulosjen (2).



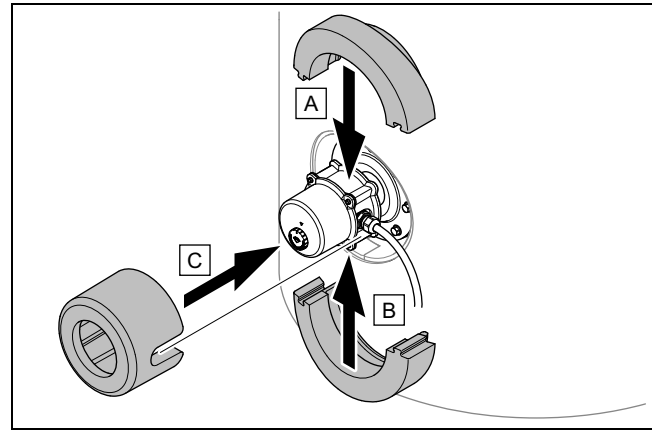


4. Futeni kabllon (2) përmes hapjes për lidhje në rrjet në shtëpizë dhe siguroni atë me anë të PG-vidhosjeve (1).
  - Numri i rekomanduar i rrotullimeve të shtrëngimit:  $\leq 6,0 \text{ Nm}$
5. Lidhni telat në listelën e kapëses (3).
6. Vendosni vulosjen dhe shtëpizën për lidhje dhe montoni katër vidhat heksagonale.
  - Numri i rekomanduar i rrotullimeve të shtrëngimit:  $\leq 1,9 \text{ Nm}$
7. Vendosni pullën rrotulluese në rregullatorin kontrollues.

## 6 Vënia në punë

### 6.1 Vënia në funksion e shufrës ngrohëse elektrike

1. Mbushni rezervuarin e ujit të ngrohtë.
2. Kontrolloni hapjen e revizionit nëse ka rrjedhje.



3. Montoni elementet izoluese.
4. Startoni furnizimin me rrymë.
5. Rregulloni temperaturën me anë të rrotës rregulluese, në të cilën duhet të ngrohë shufra ngrohëse.

## 7 Zgjidhja e defektit

### 7.1 Funkzioni i kufizuesit të temperaturës së sigurisë

Nëse temperatura e ujit në rezervuar ngritet mbi  $95 \text{ }^\circ\text{C}$ , kufizuesi i temperaturës së sigurisë (KTS) në shufrën ngrohëse elektrike e shkyç furnizimin me tension elektrik.

### 7.2 Zhbllokoni kufizuesin e temperaturës së sigurisë pas fikjes



#### Kujdes!

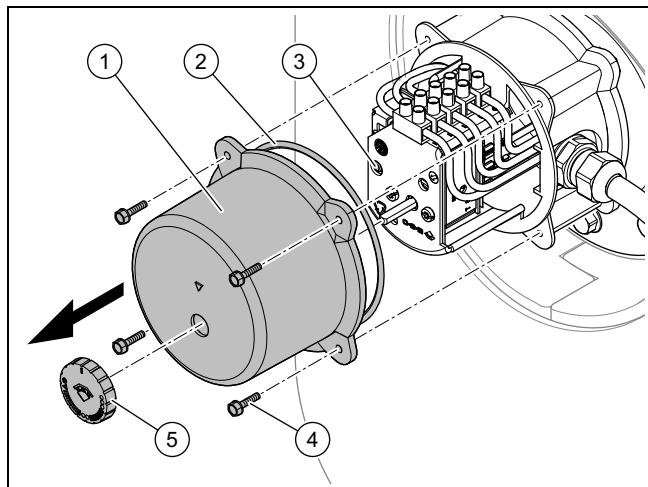
#### Rreziku nga dëmtimi përmes tejnxehjes!

Nëse defekti, i cili ka shkaktuar fikjen e produktit, nuk mbinjanohet, mund të shkaktohen dëmtime të produktit.

- Kyçeni përsëri kufizuesin e temperaturës së sigurisë, nëse është mënjanuar shkaku i defektit, i cili ka aktivizuar kufizuesin e temperaturës së sigurisë.

1. Shkyçni furnizimin me energji elektrike.
2. Çmontoni elementet izoluese nga shufra ngrohëse elektrike.

## 8 Nxjerrja jashtë pune



3. Hiqeni pullën rrotulluese (5) nga rregullatori kontrollues.
4. Çmontoni katër vidhat heksagonale (4).
5. Hiqeni shtëpizën për lidhje (1) dhe vulosjen (2).
6. Shtypeni tastin e zhblokimit të kufizuesit të temperaturës së sigurisë (3).
7. Vendosni vulosjen dhe shtëpizën për lidhje dhe montoni katër vidhat heksagonale.
8. Vendosni pullën rrotulluese në rregullatorin kontrollues.
9. Montoni elementet izoluese.
10. Kyçeni furnizimin me energji elektrike.

## 8 Nxjerrja jashtë pune

### 8.1 Nxjerrja e produktit jashtë pune

1. Shkyçni furnizimin me rrymë të shufrës ngrohëse elektrike.
2. Ndërprisni furnizimin me rrymë elektrike.
3. Zbrazni rezervuarin e ujit të ngrohtë.
4. Çmontoni shufrën ngrohëse elektrike.
5. Montoni vulosjen dhe kapakun e hapjes së revizionit.
6. Montoni kapakun e hapjes së revizionit.

### 8.2 Riciklimi dhe mënjanimi

#### Deponimi i paketimit

- ▶ Hidhni paketimin siç duhet.
- ▶ Respektoni të gjitha rregullat relevante.

## 9 Shërbimi i klientit

### 9.1 Shërbimi i klientit

Të dhënat e kontaktit të shërbimit tonë të klientit i gjeni tek shtojca ose në faqen tonë të internetit.

## 10 Të dhëna teknike

	Shufra ngrohëse elektrike 2 - 6 kW
Fuqia nominale dalëse	2; 4; 6 kW
Temperatura e lejuar e mjedisit gjatë punës	0 ... 40 °C
Lagështia e lejuar e ajrit në %	< 75 (magazinimi afatgjatë); < 93 (gjatë transportimit)
Fortësia e rekomanduar maks. e ujit të pijshëm	≤ 14 °dH
Zona e rregullimit të temperaturës	28 ... 70 °C
Temperatura e lejuar e ruajtjes së ujit	7 ... 85 °C
Temperatura e punës për ujë të ngrohtë	65 °C
Temperatura maks. e ujit të pijshëm	≤ 95 °C
Presioni maks. operativ i ujit të pijshëm	≤ 1 MPa (≤ 10 bar)
Mbrojtje termale e fikjes gjatë funksionimit të thatë	95 °C <sup>+8 K</sup>
Temperatura min. për mbrojtje nga ngrica	≥ 7 °C
Temperatura maksimale e kokës së shufrës ngrohëse	≤ 95 °C
Temperatura maks. e sipërfaqes së shufrës ngrohëse	≤ 150 °C
Kapaciteti maks. i sipërfaqes	maks. 14,1 W/cm <sup>3</sup>
Gjatësia e hyrjes (thellësia e zhytjes)	450 mm
Diametri i hyrjes	≈ 36,5 mm
Diametri i shufrës ngrohëse	6,5 mm
Materiali i shufrave ngrohëse	2.4858 / Incoloy 825
Materiali i kokës së shufrës ngrohëse	1.4404
Gjerësia e çelësit të kokës së shufrës ngrohëse	SW 60 mm
Lidhja me filetim	G 1 1/2 B inç
Numri i rekomanduar i rrotullimeve të shtrëngimit të kokës së shufrës ngrohëse	90 ... 100 Nm
Gjatësia e kokës së shufrës ngrohëse	≈ 160 mm
Materiali i shtëpisë për lidhje	PA6 GF30
Pesha neto e kokës së shufrës ngrohëse	1,36 kg
Ushqimi me energji	1 N PE ~230 V AC/50 Hz 1x 16 A; 3 N PE ~400 V AC/50 Hz 3 x 16 A
Lloji i mbrojtjes	IP54 (DIN EN 60529)
Klasa mbrojtëse elektrike	I
Kategoria e mbitensionit	II

## Uputstvo za rad

### Sadržaj

<b>1</b>	<b>Bezbednost .....</b>	<b>186</b>
1.1	Upozoravajuće napomene koje se odnose na postupanje .....	186
1.2	Pravilno korišćenje.....	186
1.3	Opšte sigurnosne napomene .....	186
1.4	Propisi (smernice, zakoni, standardi) .....	177
<b>2</b>	<b>Napomene o dokumentaciji .....</b>	<b>188</b>
2.1	Pridržavanje propratne važeće dokumentacije.....	188
2.2	Čuvanje dokumentacije .....	188
2.3	Oblast važenja uputstava .....	188
<b>3</b>	<b>Opis proizvoda .....</b>	<b>188</b>
3.1	Konstrukcija proizvoda.....	188
3.2	CE-oznaka .....	188
<b>4</b>	<b>Pogon.....</b>	<b>188</b>
4.1	Pregled funkcija regulatora za podešavanje.....	188
<b>5</b>	<b>Otklanjanje smetnji.....</b>	<b>189</b>
5.1	Detekcija i otklanjanje smetnji .....	189
<b>6</b>	<b>Nega i održavanje .....</b>	<b>189</b>
6.1	Nega proizvoda.....	189
<b>7</b>	<b>Stavljanje van pogona.....</b>	<b>189</b>
7.1	Privremeno stavljanje van pogona proizvoda ....	189
7.2	Konačno stavljanje proizvoda van pogona .....	189
7.3	Reciklaža i odlaganje otpada.....	189
<b>8</b>	<b>Garancija i servisna služba za korisnike .....</b>	<b>189</b>
8.1	Garancija .....	189
8.2	Služba za korisnike.....	189

# 1 Bezbednost

## 1 Bezbednost

### 1.1 Upozoravajuće napomene koje se odnose na postupanje

#### Klasifikacija upozorenja koja se odnose na određenu aktivnost

Upozoravajuće napomene prema vrsti radnje su uz pomoć znaka upozorenja i signalnih reči klasifikovane u pogledu stepena ozbiljnosti moguće opasnosti:

#### Znakovi upozorenja i signalne reči



##### Opasnost!

Neposredna opasnost po život ili opasnost od teških povreda ljudi



##### Opasnost!

Opasnost po život usled strujnog udara



##### Upozorenje!

Opasnost od lakih povreda ljudi



##### Oprez!

Rizik od materijalne štete ili štete po životnu sredinu

### 1.2 Pravilno korišćenje

Pri nepravilnoj ili nenamenskoj upotrebi mogu nastati opasnosti po zdravlje i život operatera postrojenja ili trećih lica, odn. do narušavanja kvaliteta proizvoda i drugih materijalnih vrednosti.

Električni grejni štap služi za grejanje dela za pripravnost rezervoara za toplu vodu VIH R 300 - 500 i VIH S 300 - 500. Predviđen je kao specijalno dodatno grejanje.

Namenska upotreba obuhvata:

- poštovanje priloženih uputstava za upotrebu proizvoda, kao i svih ostalih komponenta postrojenja
- poštovanje svih uslova za inspekciju i održavanje navedenih u uputstvima.

Ovaj proizvod mogu da koriste deca od 8 godina i naviše kao i lica sa smanjenim psihičkim, senzornim ili mentalnim sposobnostima ili nedostatkom iskustva i znanja, ukoliko su pod nadzorom ili su vezano za sigurnu upotrebu proizvoda podučeni i razumeju opasnosti koje iz toga mogu da nastanu. Deca ne smeju da se igraju sa proizvodom. Čišćenje i

korisničko održavanje ne smeju da vrše deca bez nadzora.

Upotreba koja se razlikuje od one opisane u ovom uputstvu ili upotreba koja izlazi izvan okvira ovde opisane upotrebe, smatraće se nenamenskom. Nenamenska je i svaka neposredna komercijalna i industrijska upotreba.

#### Pažnja!

Svaka zloupotreba je zabranjena.

### 1.3 Opšte sigurnosne napomene

#### 1.3.1 Opasnost od pogrešnog rukovanja

Zbog pogrešnog rukovanja možete sami sebi da naškodite i da prouzrokuje materijalnu štetu.

- ▶ Pažljivo pročitajte priloženo uputstvo i sva važeća dokumenta, naročito poglavlje „Sigurnost“ i upozoravajuće napomene.
- ▶ Sprovedite aktivnosti samo kao što su opisane u priloženom uputstvu za rad.

#### 1.3.2 Rizik od materijalne štete zbog mraza

- ▶ Uverite se da postrojenje za grejanje u slučaju mraza u svakom slučaju ostane u režimu rada i da su sve prostorije odgovarajuće temperirane.
- ▶ Ako niste obezbedili postrojenje za slučaj mraza, onda ostavite instalatera da ispravi postrojenje za grejanje.

#### 1.3.3 Opasnost po život zbog promena na proizvodu ili u okruženju proizvoda

- ▶ Ne uklanjajte, ne premošćavajte i ne blokirajte ni u kom slučaju sigurnosne uređaje.
- ▶ Nemojte da prepodešavate sigurnosne uređaje.
- ▶ Nemojte da uništavate niti uklanjate plombe komponentata.
- ▶ Nemojte preduzimati nikakve promene:
  - na proizvodu
  - na dovodima za vodu i struju
  - na sigurnosnom ventilu
  - na odvodnim cevima
  - na zadatim konstrukcionim detaljima, koji mogu da imaju uticaj na sigurnost u radu proizvoda

#### **1.3.4 Opasnost od povrede i rizik od materijalne štete zbog nestručnog ili neizvršenog održavanja i popravke**

- ▶ Nemojte nikada sami da pokušavate da sprovedite radove na održavanju ili popravke na Vašem proizvodu.
- ▶ Neka smetnje i oštećenja odmah ukloni instalater.
- ▶ Pridržavajte se zadatih intervala održavanja.

#### **1.4 Propisi (smernice, zakoni, standardi)**

- ▶ Poštujte nacionalne propise, standarde, regulative i zakone.

## 2 Napomene o dokumentaciji

### 2 Napomene o dokumentaciji

#### 2.1 Pridržavanje priložene važeće dokumentacije

- ▶ Obavezno se pridržavajte svih uputstava za upotrebu koja su priložena komponentama postrojenja.

#### 2.2 Čuvanje dokumentacije

- ▶ Čuvajte ovo uputstvo, kao i svu drugu dokumentaciju radi kasnijeg korišćenja.

#### 2.3 Oblast važenja uputstava

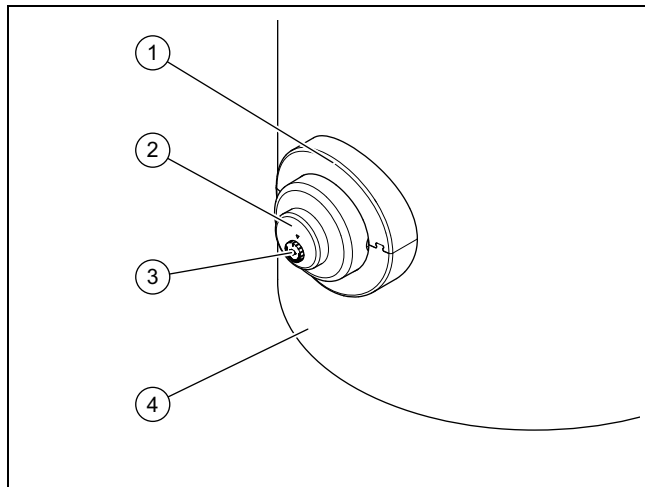
Ovo uputstvo važi isključivo za:

##### Broj artikla proizvoda

Električni grejni štap	0020230734
------------------------	------------

## 3 Opis proizvoda

### 3.1 Konstrukcija proizvoda



- |  |   |
|--|---|
| 1 Pločica sa oznakom tipa (ispod poklopca) | 3 Regulator za podešavanje temperature tople vode |
| 2 Električni grejni štap                   | 4 Rezervoar                                       |

### 3.2 CE-oznaka



CE-oznakom se dokumentuje da proizvodi u skladu sa pločicom sa oznakom tipa, ispunjavaju osnovne zahteve važećih smernica.

Izjava o usklađenosti se može dobiti na uvid kod proizvođača.

## 4 Pogon

### 4.1 Pregled funkcija regulatora za podešavanje

Položaj regulatora za podešavanje	Funkcija
	ISKLJ.
	Zaštita od smrzavanja
	Temperatura vode oko 40 °C
	Temperatura vode oko 60 °C
	Temperatura vode oko 70 °C
	Normalan režim rada Temperatura vode oko 65 °C

## 5 Otklanjanje smetnji

### 5.1 Detekcija i otklanjanje smetnji

**Uslovi:** Temperatura tople vode ne dostiže podešenu temperaturu

- ▶ Sigurnosni ograničavač temperature se po potrebi aktivirao. Obavestite instalatera.

## 6 Nega i održavanje

### 6.1 Nega proizvoda



#### Oprez!

**Rizik od materijalnog oštećenja zbog neadekvatnih sredstava za čišćenje!**

- ▶ Nemojte da koristite sprejeve, abrazivna sredstva, sredstva za ispiranje, sredstva za čišćenje koja sadrže razređivače ili hlor.
- 
- ▶ Čistite oplatu vlažnom krpom i sa nešto sapuna bez razređivača.

## 7 Stavljanje van pogona

### 7.1 Privremeno stavljanje van pogona proizvoda

1. Podesite regulator za podešavanje na položaj „ISKLJ.“.
2. Uverite se da je zagarantovana dovoljna zaštita od zamrzavanja.

### 7.2 Konačno stavljanje proizvoda van pogona

- ▶ Pustite da serviser stavi proizvod konačno van pogona.

### 7.3 Reciklaža i odlaganje otpada



Ako je proizvod obeležen ovim znakom:

- ▶ U tom slučaju proizvod nemojte da odložite na kućni otpad.
- ▶ Umesto toga proizvod predajte na sabirno mesto za električne i elektronske stare uređaje.



Ako proizvod sadrži baterije, koje su obeležene ovim znakom, onda baterije mogu da sadrže supstance koje su štetne po zdravlje i životnu sredinu.

- ▶ U tom slučaju baterije uklonite na sabirno mesto za baterije.

## 8 Garancija i servisna služba za korisnike

### 8.1 Garancija

Informacije o garanciji proizvođača molimo da potražite na adresi za kontakt u prilogu.

### 8.2 Služba za korisnike

Kontakt podatke naše servisne službe za korisnike pronaćete u prilogu ili na našoj veb stranici.

# Sadržaj

## Uputstvo za instalaciju

### Sadržaj

<b>1</b>	<b>Bezbednost .....</b>	<b>191</b>
1.1	Upozoravajuće napomene koje se odnose na postupanje .....	191
1.2	Pravilno korišćenje.....	191
1.3	Opšte sigurnosne napomene .....	191
1.4	Propisi (smernice, zakoni, standardi) .....	192
<b>2</b>	<b>Napomene o dokumentaciji .....</b>	<b>193</b>
2.1	Pridržavanje propratne važeće dokumentacije.....	193
2.2	Čuvanje dokumentacije .....	193
2.3	Oblast važenja uputstava .....	193
<b>3</b>	<b>Opis proizvoda .....</b>	<b>193</b>
3.1	Konstrukcija proizvoda.....	193
3.2	CE-oznaka .....	193
<b>4</b>	<b>Montaža .....</b>	<b>193</b>
4.1	Provera obima isporuke.....	193
<b>5</b>	<b>Instalacija .....</b>	<b>193</b>
5.1	Demontaža revizionog otvora .....	194
5.2	Montaža grejne patrone.....	194
5.3	Uspostavljanje strujnog napajanja .....	194
5.4	Električna instalacija .....	194
<b>6</b>	<b>Puštanje u rad .....</b>	<b>195</b>
6.1	Puštanje u rad grejne patrone .....	195
<b>7</b>	<b>Otklanjanje smetnji.....</b>	<b>195</b>
7.1	Funkcija sigurnosnog graničnika temperature .....	195
7.2	Deblokiranje sigurnosnog graničnika temperature posle isključivanja .....	195
<b>8</b>	<b>Stavljanje van pogona.....</b>	<b>196</b>
8.1	Stavljanje proizvoda van pogona.....	196
8.2	Reciklaža i odlaganje otpada.....	196
<b>9</b>	<b>Služba za korisnike .....</b>	<b>196</b>
9.1	Služba za korisnike.....	196
<b>10</b>	<b>Tehnički podaci .....</b>	<b>196</b>



## 1 Bezbednost

### 1.1 Upozoravajuće napomene koje se odnose na postupanje

#### Klasifikacija upozorenja koja se odnose na određenu aktivnost

Upozoravajuće napomene prema vrsti radnje su uz pomoć znaka upozorenja i signalnih reči klasifikovane u pogledu stepena ozbiljnosti moguće opasnosti:

#### Znakovi upozorenja i signalne reči



##### Opasnost!

Neposredna opasnost po život ili opasnost od teških povreda ljudi



##### Opasnost!

Opasnost po život zbog strujnog udara



##### Upozorenje!

Opasnost od lakih povreda ljudi



##### Oprez!

Rizik od materijalne štete ili štete po životnu sredinu

### 1.2 Pravilno korišćenje

Pri nepravilnoj ili nenamenskoj upotrebi mogu nastati opasnosti po zdravlje i život operatera postrojenja ili trećih lica, odn. do narušavanja kvaliteta proizvoda i drugih materijalnih vrednosti.

Električni grejni štap služi za grejanje dela za pripravnost rezervoara za toplu vodu VIH R 300 - 500 i VIH S 300 - 500. Predviđen je kao specijalno dodatno grejanje.

Namenska upotreba obuhvata:

- Obratite pažnju na priloženo uputstvo za upotrebu, instalaciju i održavanje proizvoda, kao i svih ostalih komponenti sistema
- instalaciju i montažu u skladu sa dozvolom za proizvod i za sistem
- pridržavanje svih uslova za inspekciju i održavanje navedenih u uputstvima.

Upotreba u skladu sa odredbama osim toga obuhvata instalaciju prema IP klasi.

Upotreba koja se razlikuje od one opisane u ovom uputstvu ili upotreba koja izlazi izvan okvira ovde opisane upotrebe, smatraće se nenamenskom. Nenamenska je i svaka

neposredna komercijalna i industrijska upotreba.

#### Pažnja!

Svaka zloupotreba je zabranjena.

### 1.3 Opšte sigurnosne napomene

#### 1.3.1 Opasnost zbog nedovoljne kvalifikacije

**Oblast važenja:** Ne za Rusiju

Sledeće radove smeju da obavljaju isključivo serviseri koji su za to dovoljno kvalifikovani:

**Oblast važenja:** Rusija

Sledeće radove smeju da obavljaju isključivo Vaillant sertifikovani serviseri koji su za to dovoljno kvalifikovani:

- Montaža
- Demontaža
- Instalacija
- Puštanje u rad
- Inspekcija i održavanje
- Popravka
- Stavljanje van pogona
- ▶ Obratite pažnju na uputstva koja prate proizvod.
- ▶ Postupajte u skladu sa aktuelnim stanjem tehnike.
- ▶ Vodite računa o svim važećim regulativama, standardima, zakonima i drugim propisima.

#### 1.3.2 Opasnost po život zbog strujnog udara

Ako dodirujete komponente koje provode napon, onda postoji opasnost od strujnog udara.

Pre nego što radite na proizvodu:

- ▶ Isključite proizvod sa napona, tako što ćete da isključite sva napajanja strujom sa svih polova (električni separator sa najmanje 3 mm zazora za kontakt, npr. osigurač ili zaštitni prekidač napajanja).
- ▶ Osigurajte od ponovnog uključivanja.
- ▶ Proverite, da li postoji napon.

## 1 Bezbednost

### 1.3.3 Rizik od materijalne štete zbog mraza

- ▶ Nemojte da instalirate proizvod u prostorije gde postoji opasnost od mraza.

### 1.3.4 Opasnost od opekotina usled vrelih delova

- ▶ Rad na sastavnim delovima tek kada su hladni.

### 1.3.5 Rizik od materijalne štete zbog neadekvatnog alata

- ▶ Kako biste zategli spojeve zavrtneva ili ih otpustili, upotrebljavajte odgovarajući alat.

### 1.3.6 Opasnost po život zbog nedostatka sigurnosnih uređaja

Šeme sadržane u ovom dokumentu ne prikazuju sve sigurnosne uređaje neophodne za pravilnu instalaciju.

- ▶ Instalirajte neophodne sigurnosne uređaje u sistemu.
- ▶ Vodite računa o važećim nacionalnim i internacionalnim zakonima, standardima i smernicama.

## 1.4 Propisi (smernice, zakoni, standardi)

- ▶ Poštujte nacionalne propise, standarde, regulative i zakone.

## 2 Napomene o dokumentaciji

### 2.1 Pridržavanje propratne važeće dokumentacije

- ▶ Obavezno vodite računa o svim uputstvima za upotrebu i instalaciju, koja su priložena uz komponente sistema.

### 2.2 Čuvanje dokumentacije

- ▶ Predajte ovo uputstvo, kao i sve propratne važeće dokumente operateru postrojenja.

### 2.3 Oblast važenja uputstava

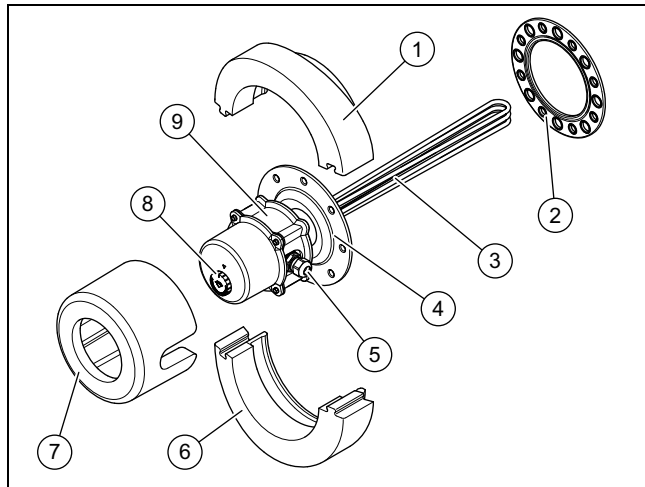
Ovo uputstvo važi isključivo za:

#### Broj artikla proizvoda

Električni grejni štap	0020230734
------------------------	------------

## 3 Opis proizvoda

### 3.1 Konstrukcija proizvoda



- |   |   |
|---|---|
| 1 Element izolacije gornjeg poluprstena                                   | 5 PG-armatura sa navojem za električni priključak |
| 2 Zaptivač revizionog otvora  | 6 Element izolacije gornjeg poluprstena           |
| 3 Grejne patrone  | 7 Izolaciona čaura glave grejne patrone           |
| 4 Redukovana prirubnica, predmontirana sa zaptivačem na glavi za zavrtnje | 8 Regulator za podešavanje                        |
|   | 9 Tipska pločica                                  |

### 3.2 CE-oznaka



CE-oznakom se dokumentuje da proizvodi u skladu sa pločicom sa oznakom tipa, ispunjavaju osnovne zahteve važećih smernica.

Izjava o usklađenosti se može dobiti na uvid kod proizvođača.

## 4 Montaža

### 4.1 Provera obima isporuke

- ▶ Proverite obim isporuke u pogledu kompletnosti i neoštećenosti.

Količina	Oznaka
1	Električni grejni štap
1	Redukovana prirubnica
1	Zaptivač revizionog otvora
1	Uputstva za rad i instalaciju

## 5 Instalacija



### Oprez!

**Rizik od materijalnog oštećenja zbog korozije i kratkog spoja zbog pogrešnog uzemljenja**

Ako grejnu patronu umetnete u rezervoar, u vodi može da se formira električni potencijal zbog postojećeg sekundarnog napona, koji može da prouzrokuje elektrohemijsku koroziju na grejnoj patroni.

- ▶ Uverite se da su kako cevi za toplu vodu tako i cevi za hladnu vodu neposredno na rezervoaru priključene pomoću kabla za uzemljenje na glavnu šinu za uzemljenje.
- ▶ Osim toga se uverite da je preko stezaljke za uzemljenje takođe i grejna patrona priključena na glavnu šinu za uzemljenje.

Električne instalacije sme da vrši samo elektro instalater.

Grejna patrona se sme montirati samo horizontalno. Vertikalna ugradnja nije dozvoljena.

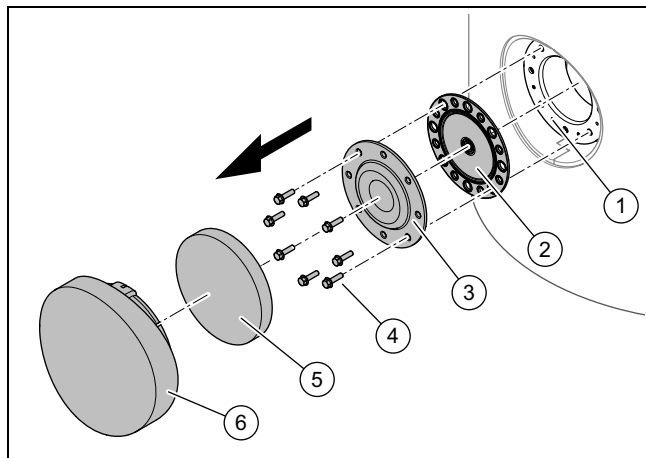
Za električni priključak koristite mrežni kabl, koji je dozvoljen za temperaturu od 80 °C.

Utvrđite, da je rezervoar za toplu vodu napunjen, pre nego što grejnu patronu pustite u rad.

Radi održanja dugogodišnje funkcionalnosti grejne patrone, preporučeno je najmanji kvalitet sveže vode: sadržaj hlorida < 120 mg/l, tvrdoća vode < 2,4965 mmol/l (< 14°dH; < 24,987°FH; < 140 mg CaCO<sub>3</sub>/l; < 249,87 mg CaCO<sub>3</sub>/l; < 249,87 ppm (mg CaCO<sub>3</sub>/l)). Kod veće tvrdoće vode se preporučuje primena sistema za omekšavanje vode!

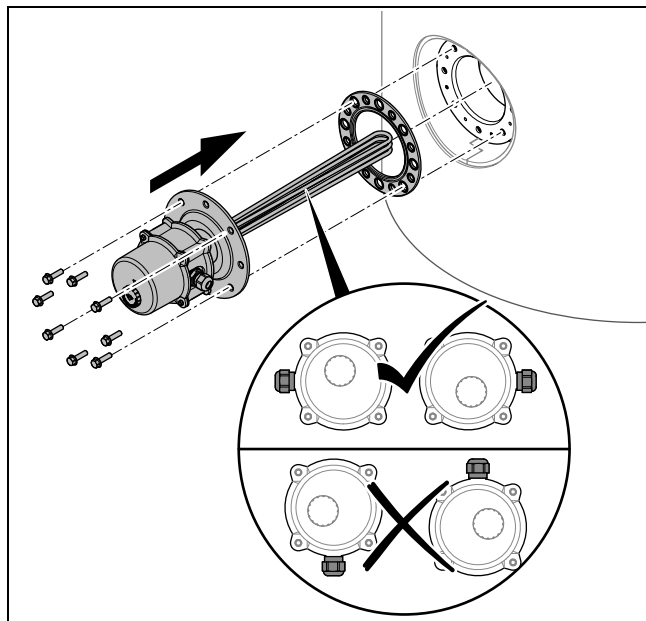
## 5 Instalacija

### 5.1 Demontaža revizionog otvora



1. Isključite rezervoar za toplu vodu po potrebi beznaponski.
2. Ispraznite rezervoar za toplu vodu.
3. Uklonite elemente izolacije (5) i (6).
4. Demontirajte zavrtnje (4) za pričvršćivanje poklopca (3) revizionog otvora (1).
5. Skinite zaptivač i poklopac (2).

### 5.2 Montaža grejne patrone



1. U tu svrhu upotrebite isporučeni novi zaptivač za revizionni otvor.



#### Opasnost!

#### Rizik od materijalnog oštećenja zbog preteranog zavrtnja navoja

Redukovana priрубnica je prethodno montirana sa određenim obrtnim momentom na navoju grejne patrone, tako da se slika probušene slike i grejne patrone međusobno nalaze u idealnom odnosu. Ako redukovanu priрубnicu dalje privučete na navoj grejne patrone, navoj se može oštetiti.

- ▶ Montirajte grejnu patronu sa prethodno montiranom redukovanom priрубnicom kao što je isporučena.

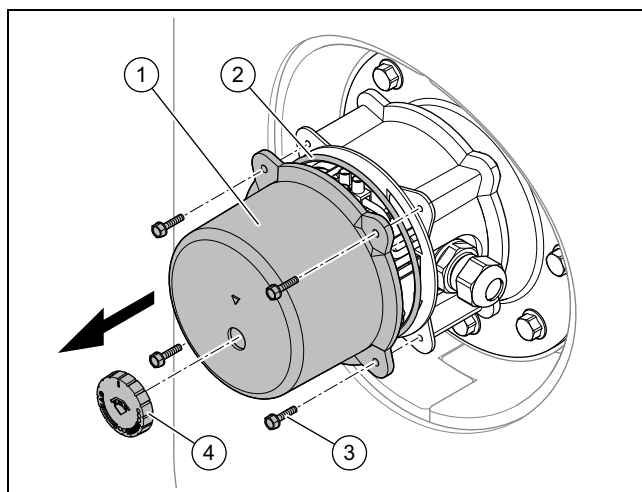
2. Montirajte grejnu patronu kao što je prikazano.
3. Unakrsno dotegnite zavrtnje na redukovanoj priрубnici.

### 5.3 Uspostavljanje strujnog napajanja

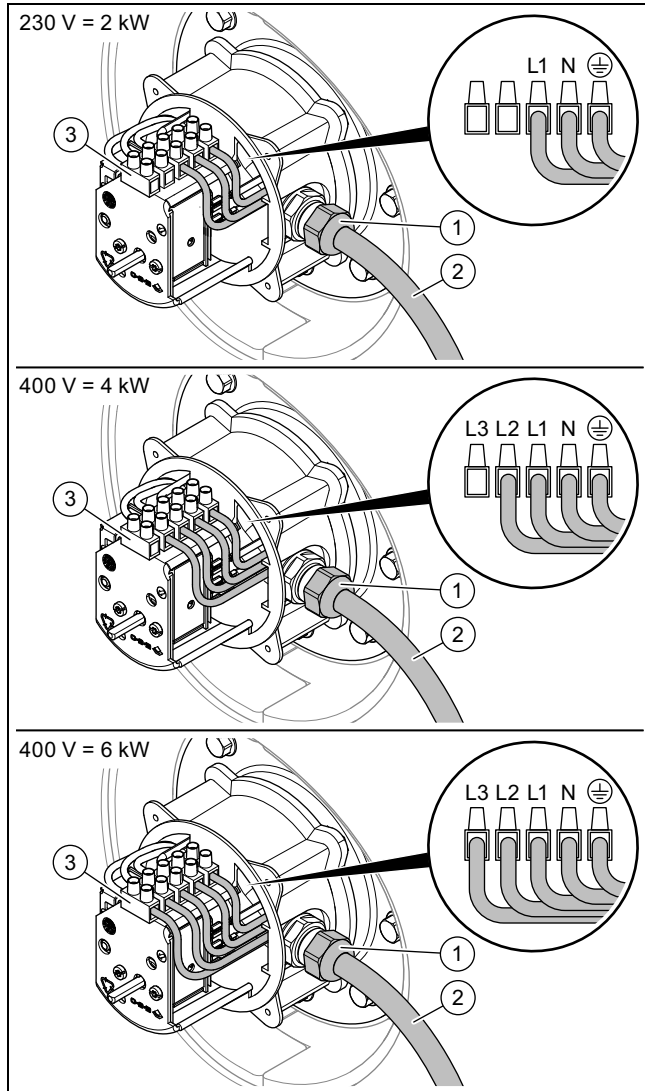
Eksterni mrežni kabl mora da bude uzemljen, da bude pravilno priključen na polove i to prema važećim propisima.

- ▶ U slučaju fiksno ožičenog mrežnog priključka instalirajte mehanizam za razdvajanje za sve polove na mreži sa veličinom otvora kontakta od najmanje 3 mm po polu (npr. osigurači ili radni prekidači).

### 5.4 Električna instalacija



1. Skinite obrtno dugme (4) sa regulatora za podešavanje.
2. Demontirajte četiri šestougaona zavrtnja (3).
3. Skinite kućište za priključak (1) i zaptivač (2).

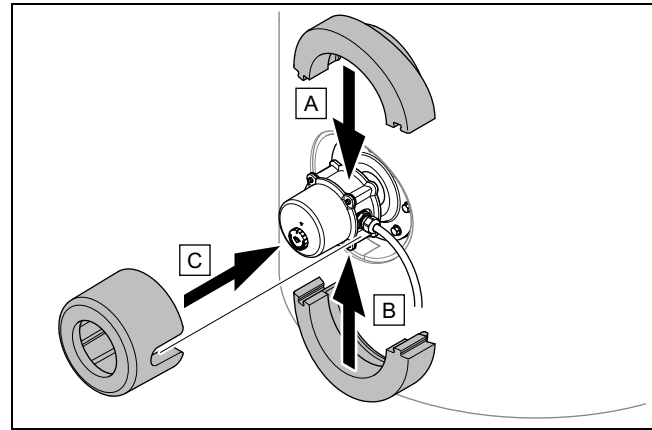


4. Uvucite kabl (2) u mrežni priključni otvor u kućištu i pričvrstite ga pomoću PG-armature sa navojem (1).
  - Preporučeni obrtni moment pritezanja:  $\leq 6,0$  Nm
5. Priključite provodnike na stezni blok (3).
6. Ponovo natakните zaptivač i kućište za priključak i montirajte četiri šestougaona zavrtnja.
  - Preporučeni obrtni moment pritezanja:  $\leq 1,9$  Nm
7. Utakните obrtno dugme na regulator za podešavanje.

## 6 Puštanje u rad

### 6.1 Puštanje u rad grejne patrone

1. Napunite rezervoar za toplu vodu.
2. Proverite revizioni otvor na nepropusnost.



3. Montirajte elemente izolacije.
4. Uključite strujno napajanje.
5. Pomoću točkića za podešavanje podesite temperaturu sa na koju grejna patrone treba da se zagreje.

## 7 Otklanjanje smetnji

### 7.1 Funkcija sigurnosnog graničnika temperature

Ako temperatura vode u rezervoaru raste iznad  $95$  °C, sigurnosni ograničavač temperature (STB) na grejnoj patroni isključuje dotok napona.

### 7.2 Deblokiranje sigurnosnog graničnika temperature posle isključivanja



#### Oprez!

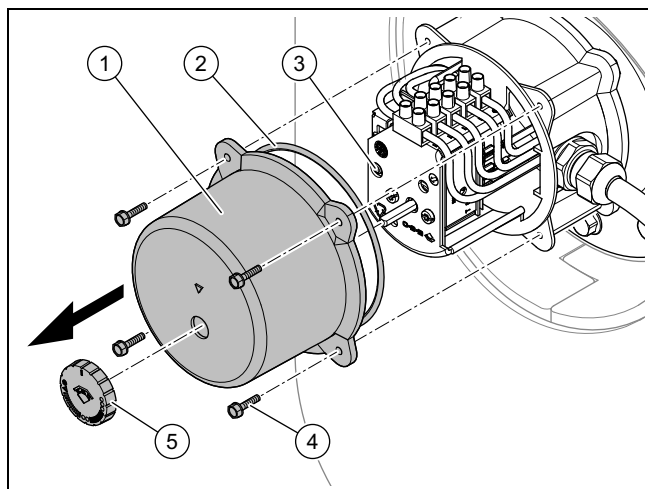
#### Rizik od materijalnog oštećenja zbog pregrevanja!

Ukoliko grešku, koja je dovela do isključivanja proizvoda, ne otklonite, može da dođe do oštećenja na proizvodu.

- Sigurnosni graničnik temperature uključite ponovo tek, ako ste otklonili uzrok greške, koji je doveo do aktiviranja sigurnosnog graničnika temperature.

1. Isključite strujno napajanje.
2. Demontirajte elemente izolacije sa grejne patrone.

## 8 Stavljanje van pogona



3. Skinite obrtno dugme (5) sa regulatora za podešavanje.
4. Demontirajte četiri šestougaona zavrtnja (4).
5. Skinite kućište za priključak (1) i zaptivač (2).
6. Pritisnite taster za deblokadu sigurnosnog ograničavača temperature (3).
7. Natakните zaptivač i kućište za priključak i montirajte četiri šestougaona zavrtnja.
8. Utakните obrtno dugme na regulator za podešavanje.
9. Montirajte elemente izolacije.
10. Uključite strujno napajanje.

## 8 Stavljanje van pogona

### 8.1 Stavljanje proizvoda van pogona

1. Isključite strujno napajanje grejne patrone.
2. Razdvojite napajanje strujom.
3. Ispraznite rezervoar za toplu vodu.
4. Demontirajte grejnu patronu.
5. Montirajte zaptivač i poklopac revizionog otvora.
6. Montirajte poklopac revizionog otvora.

### 8.2 Reciklaža i odlaganje otpada

#### Odlaganje pakovanja

- ▶ Propisno odložite pakovanje.
- ▶ Vodite računa o svim relevantnim propisima.

## 9 Služba za korisnike

### 9.1 Služba za korisnike

Kontakt podatke naše servisne službe za korisnike pronaći ćete u prilogu ili na našoj veb stranici.

## 10 Tehnički podaci

	Grejna patrone 2 - 6 kW
Nominalna izlazna snaga	2; 4; 6 kW
Dozvoljena ambijentalna temperatura u režimu rada	0 ... 40 °C
Dozvoljena vlažnost vazduha u %	< 75 (dugotrajno čuvanje); < 93 (tokom transporta)
Preporučena maks. tvrdoća sanitarne vode	≤ 14 °dH
Područje podešavanja temperature	28 ... 70 °C
Dozvoljena temperatura rezervoara za vodu	7 ... 85 °C
Radna temperatura tople vode	65 °C
Maks. temperatura rezervoara sanitarne vode	≤ 95 °C
Maks. radni pritisak sanitarne vode	≤ 1 MPa (≤ 10 bar)
Termalna zaštita od isključivanja u suvom režimu rada	95 °C <sup>+8 K</sup>
Min. temperatura zaštite od zamrzavanja	≥ 7 °C
Maks. temperatura glave grejne patrone	≤ 95 °C
Maks. temperatura površine grejne patrone	≤ 150 °C
Maks. snaga po površini	maks. 14,1 W/cm <sup>3</sup>
Ulazna dužina (dubina uranjanja)	450 mm
Ulazni prečnik	≈ 36,5 mm
Prečnik grejne patrone	6,5 mm
Materijal grejne patrone	2.4858 / Incoloy 825
Materijal glave grejne patrone	1.4404
Širina ključa glave grejne patrone	SW 60 mm
Navojni priključak	G 1 1/2 B cola
Preporučeni obrtni momenat pritezanja glave grejne patrone	90 ... 100 Nm
Dužina glave grejne patrone	≈ 160 mm
Materijal kućišta za priključak	PA6 GF30
Neto težina glave grejne patrone	1,36 kg
Strujno napajanje	1 N PE ~230 V AC/50 Hz 1x 16 A; 3 N PE ~400 V AC/50 Hz 3 x 16 A
Klasa zaštite	IP54 (DIN EN 60529)
Električna klasa zaštite	I
Prenaponska kategorija	II

**Kullanma kılavuzu****İçindekiler**

<b>1</b>	<b>Emniyet</b> .....	<b>198</b>
1.1	İşleme ilgili uyarı bilgileri .....	198
1.2	Amacına uygun kullanım .....	198
1.3	Genel emniyet uyarıları.....	198
1.4	Yönetmelikler (direktifler, kanunlar, standartlar).....	199
<b>2</b>	<b>Doküman ile ilgili uyarılar</b> .....	<b>200</b>
2.1	Birlikte geçerli olan dokümanların dikkate alınması .....	200
2.2	Dokümanların saklanması .....	200
2.3	Kılavuzun geçerliliği .....	200
<b>3</b>	<b>Ürünün tanımı</b> .....	<b>200</b>
3.1	Ürünün yapısı .....	200
3.2	CE işareti .....	192
<b>4</b>	<b>İşletim</b> .....	<b>200</b>
4.1	Ayar regleri fonksiyon genel bakışı.....	200
<b>5</b>	<b>Arıza giderme</b> .....	<b>200</b>
5.1	Arızaların tespit edilmesi ve giderilmesi .....	200
<b>6</b>	<b>Temizlik ve bakım</b> .....	<b>201</b>
6.1	Ürünün bakımı .....	201
<b>7</b>	<b>Ürünün devre dışı bırakılması</b> .....	<b>201</b>
7.1	Ürünü geçici olarak devre dışı bırakma .....	201
7.2	Ürünün nihai olarak devre dışı bırakılması .....	201
7.3	Geri dönüşüm ve atıkların yok edilmesi.....	201
<b>8</b>	<b>Garanti ve müşteri hizmetleri</b> .....	<b>201</b>
8.1	Garanti .....	201
8.2	Müşteri hizmetleri.....	201

# 1 Emniyet

## 1 Emniyet

### 1.1 İşleme ilgili uyarı bilgileri

**İşleme ilgili uyarı bilgilerinin sınıflandırılması**  
İşleme ilgili uyarı bilgileri, aşağıda gösterildiği gibi tehlikenin ağırlığına bağlı olarak uyarı işaretleri ve uyarı metinleriyle sınıflandırılmıştır:

#### Uyarı işaretleri ve uyarı metinleri



##### **Tehlike!**

Ölüm tehlikesi veya ağır yaralanma tehlikesi



##### **Tehlike!**

Elektrik çarpması nedeniyle ölüm tehlikesi



##### **Uyarı!**

Hafif yaralanma tehlikesi



##### **Dikkat!**

Maddi hasar veya çevreye zarar verme tehlikesi

### 1.2 Amacına uygun kullanım

Yanlış veya amacına uygun olmayan şekilde kullanılması durumunda; yaşamsal tehlike arz edebilir, üründe veya çevresinde maddi hasarlar meydana gelebilir.

Elektrikli ısıtıcı VIH R 300 - 500 ve VIH S 300 - 500 sıcak su boyleri bekleme konumu parçalarını ısıtmak için kullanılır. Özel olarak ilave ısıtma için tasarlanmıştır.

Amacına uygun kullanım arasında yer alanlar:

- Ürüne ve diğer tüm sistem bileşenlerine ait birlikte verilen kullanma kılavuzlarının dikkate alınması
- Kılavuzlarda yer alan tüm kontrol ve bakım şartlarının yerine getirilmesidir.

Bu ürün 8 yaş ve üzerindeki çocuklar ve fiziksel, algılama veya ruhsal yetenekleri sınırlı olan veya cihaz hakkında yeterince tecrübesi ve bilgisi olmayan kişiler tarafından, ancak bir kişi tarafından denetlenirse veya cihazın nasıl kullanıldığına ve oluşabilecek tehlikelere dair talimatlar aldılarsa, kullanılabilir. Çocuklar ürünle oynamamalıdır. Temizleme ve kullanıcı bakımı, denetlenmeyen çocuklar tarafından yapılmamalıdır.

Bu kılavuzda tarif edilenin dışında bir kullanım veya bunu aşan bir kullanım amacına uygun değildir. Her türlü doğrudan ticari ve endüstriyel kullanım da amacına uygun kullanım değildir.

#### **Dikkat!**

Her türlü kötü amaçlı kullanım yasaktır.

### 1.3 Genel emniyet uyarıları

#### 1.3.1 Yanlış kullanım nedeniyle tehlike

Yanlış kullanım nedeniyle kendiniz ve diğer kişiler tehlike altında kalabilir ve maddi hasarlar söz konusu olabilir.

- ▶ Mevcut kılavuzu ve tüm ilave dokümanları dikkatlice okuyun, özellikle "Emniyet" bölümünü ve uyarı notlarını.
- ▶ Sadece mevcut kullanma kılavuzunda belirtilen çalışmaları yapın.

#### 1.3.2 Donma sonucu maddi hasar tehlikesi

- ▶ Soğuk kış günlerinde ısıtma sisteminizin çalışır konumda olmasını ve odaların yeterli ısıya sahip olmasını sağlayınız.
- ▶ İşletimi sağlayamıyorsanız, yetkili bayinin ısıtma sistemini boşaltmasını sağlayın.

#### 1.3.3 Üründeki ve ürün çevresindeki değişiklikler nedeniyle ölüm tehlikesi

- ▶ Güvenlik tertibatlarını kesinlikle çıkarmayın, köprülemeyin veya bloke etmeyin.
- ▶ Güvenlik tertibatlarında değişiklik yapmayın.
- ▶ Parçaların contalarını bozmayın veya çıkarmayın.
- ▶ Aşağıdakiler üzerinde değişiklik yapılmamalıdır:
  - Üründe
  - su ve elektrik geliş hatlarında
  - Emniyet ventilinde
  - Gider borularında
  - Ürünün işletme güvenliğini etkileyebilecek yapı malzemelerinde

#### 1.3.4 Yanlış veya yapılmayan bakım ve onarım nedeniyle yaralanma ve maddi hasar tehlikesi.

- ▶ Hiçbir şekilde kendi başınıza üründe bakım çalışmaları veya onarım gerçekleştirmeyin.



- ▶ Arızaların ve hasarların hemen yetkili bir teknik servis tarafından giderilmesini sağlayın.
- ▶ Öngörülen bakım aralıklarına uyun.

#### **1.4 Yönetmelikler (direktifler, kanunlar, standartlar)**

- ▶ Ulusal talimatları, standartları, direktifleri ve yasaları dikkate alın.

## 2 Doküman ile ilgili uyarılar

### 2 Doküman ile ilgili uyarılar

#### 2.1 Birlikte geçerli olan dokümanların dikkate alınması

- Sistem bileşenlerinin beraberinde bulunan tüm kullanma kılavuzlarını mutlaka dikkate alın.

#### 2.2 Dokümanların saklanması

- Bu kılavuzu ve ayrıca birlikte geçerli olan tüm belgeleri daha sonra kullanmak üzere saklayın.

#### 2.3 Kılavuzun geçerliliği

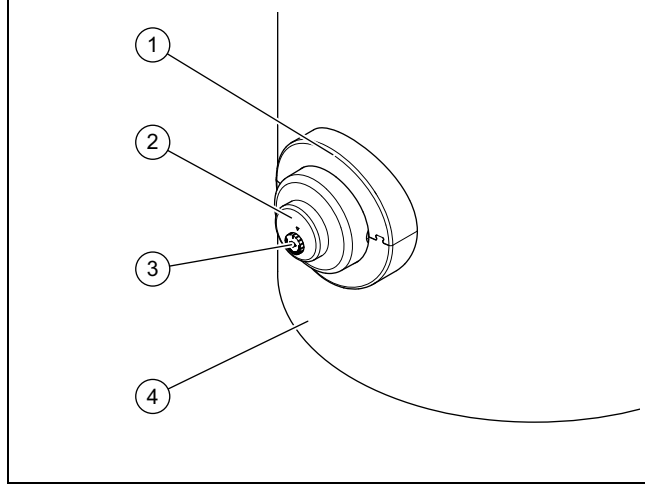
Bu kılavuz sadece aşağıdaki ürünler için geçerlidir:

#### Ürün - Ürün numarası

Rezistans	0020230734
-----------	------------

## 3 Ürünün tanımı

### 3.1 Ürünün yapısı



- |                                       |                                   |
|---------------------------------------|-----------------------------------|
| 1 Cihaz tip etiketi (kapağın altında) | 3 Sıcak su sıcaklığı ayar regleri |
| 2 Rezistans                           | 4 Boyler                          |

### 3.2 CE işareti



CE işareti, ürünlerin tip etiketi doğrultusunda geçerli yönetmeliklerin esas taleplerini yerine getirdiğini belgelerir.

Uygunluk açıklaması için üreticiye danışılabilir.

## 4 İşletim

### 4.1 Ayar regleri fonksiyon genel bakışı

Ayar regleri konumu	Fonksiyon
	KAPALI
	Donmaya karşı koruma
	Su sıcaklığı yaklaşık . 40 °C
	Su sıcaklığı yaklaşık . 60 °C
	Su sıcaklığı yaklaşık . 70 °C
	Normal işletim Su sıcaklığı yaklaşık . 65 °C

## 5 Arıza giderme

### 5.1 Arızaların tespit edilmesi ve giderilmesi

**Koşullar:** Sıcak su sıcaklığı, ayarlanan sıcaklık değerine ulaşmıyor

- Emniyet termostatu tetiklenmiş olabilir. Yetkili servisi bilgilendirin.

## 6 Temizlik ve bakım

### 6.1 Ürünün bakımı



#### Dikkat!

**Uygun olmayan temizleme maddeleri nedeniyle maddi hasar tehlikesi!**

- Sprey, aşındırıcı maddeler, bulaşık deterjanları, çözücü madde veya klor içeren temizlik maddeleri kullanmayın.

- Kapağı nemli bir bez ve çözücü madde içermeyen sabunla temizleyin.

## 7 Ürünün devre dışı bırakılması

### 7.1 Ürünü geçici olarak devre dışı bırakma

1. Ayar reglerini "KAPALI" konumuna getirin.
2. Donmaya karşı korumanın yeterli olduğundan emin olun.

### 7.2 Ürünün nihai olarak devre dışı bırakılması

- Ürünün yetkili bayi tarafından işletim dışı bırakılmasını sağlayın.

### 7.3 Geri dönüşüm ve atıkların yok edilmesi



Ürün bu işaretle işaretlenmişse:

- Ürünü bu durumda ev çöpüne atmayın.
- Bunun yerine ürünü elektrikli ve elektronik eski cihazların geri dönüştürüldüğü bir toplama merkezine verin.



Üründeki bataryalar bu işaret ile işaretlenmişse sağlığa ve çevreye zararlı maddeler içerebilir.

- Pilleri bu durumda bir pil toplama merkezine verin.

## 8 Garanti ve müşteri hizmetleri

### 8.1 Garanti

Üretici garantisi bilgilerini ekte ilgili iletişim adresi altında sorgulayabilirsiniz.

### 8.2 Müşteri hizmetleri

Müşteri hizmetlerimizin iletişim bilgilerini ekte veya web sayfamızda bulabilirsiniz.

# İçindekiler

## Montaj kılavuzu

### İçindekiler

<b>1</b>	<b>Emniyet</b> .....	<b>203</b>
1.1	İşlemlerle ilgili uyarı bilgileri .....	203
1.2	Amacına uygun kullanım .....	203
1.3	Genel emniyet uyarıları.....	203
1.4	Yönetmelikler (direktifler, kanunlar, standartlar).....	204
<b>2</b>	<b>Doküman ile ilgili uyarılar</b> .....	<b>205</b>
2.1	Birlikte geçerli olan dokümanların dikkate alınması .....	205
2.2	Dokümanların saklanması .....	205
2.3	Kılavuzun geçerliliği.....	205
<b>3</b>	<b>Ürünün tanımı</b> .....	<b>205</b>
3.1	Ürünün yapısı .....	205
3.2	CE işareti .....	205
<b>4</b>	<b>Montaj</b> .....	<b>205</b>
4.1	Teslimat kapsamının kontrolü.....	205
<b>5</b>	<b>Kurulum</b> .....	<b>205</b>
5.1	Temizleme kapağının sökülmesi .....	206
5.2	Elektrikli ısıtıcının monte edilmesi .....	206
5.3	Elektrik beslemesinin yapılması .....	206
5.4	Elektrik kurulumu .....	206
<b>6</b>	<b>Devreye alma</b> .....	<b>207</b>
6.1	Elektrikli ısıtıcının devreye alınması .....	207
<b>7</b>	<b>Arıza giderme</b> .....	<b>207</b>
7.1	Limit termostatın fonksiyonu .....	207
7.2	Limit termostatın kapatıldıktan sonra kilidinin açılması .....	207
<b>8</b>	<b>Ürünün devre dışı bırakılması</b> .....	<b>208</b>
8.1	Ürünün kapatılması.....	208
8.2	Geri dönüşüm ve atıkların yok edilmesi.....	208
<b>9</b>	<b>Müşteri hizmetleri</b> .....	<b>208</b>
9.1	Müşteri hizmetleri.....	208
<b>10</b>	<b>Teknik veriler</b> .....	<b>208</b>

## 1 Emniyet

### 1.1 İşlemlerle ilgili uyarı bilgileri

**İşlemlerle ilgili uyarı bilgilerinin sınıflandırılması**  
İşlemlerle ilgili uyarı bilgileri, aşağıda gösterildiği gibi tehlikenin ağırlığına bağlı olarak uyarı işaretleri ve uyarı metinleriyle sınıflandırılmıştır:

#### Uyarı işaretleri ve uyarı metinleri



#### **Tehlike!**

Ölüm tehlikesi veya ağır yaralanma tehlikesi



#### **Tehlike!**

Elektrik çarpması nedeniyle ölüm tehlikesi



#### **Uyarı!**

Hafif yaralanma tehlikesi



#### **Dikkat!**

Maddi hasar veya çevreye zarar verme tehlikesi

### 1.2 Amacına uygun kullanım

Yanlış veya amacına uygun olmayan şekilde kullanılması durumunda; yaşamsal tehlike arz edebilir, üründe veya çevresinde maddi hasarlar meydana gelebilir.

Elektrikli ısıtıcı VIH R 300 - 500 ve VIH S 300 - 500 sıcak su boyleri bekleme konumu parçalarını ısıtmak için kullanılır. Özel olarak ilave ısıtma için tasarlanmıştır.

Amacına uygun kullanım arasında yer alanlar:

- Ürün ve sistemin diğer bileşenleri ile birlikte verilen kullanım, montaj ve bakım kılavuzlarının dikkate alınması
- Ürün ve sistemin montaj kurallarına göre kurulumu ve montajı
- Kılavuzlarda yer alan tüm kontrol ve bakım şartlarının yerine getirilmesidir.

Amacına uygun kullanım ayrıca IP sınıfına uygun montajı da kapsamaktadır.

Bu kılavuzda tarif edilenin dışında bir kullanım veya bunu aşan bir kullanım amacına uygun değildir. Her türlü doğrudan ticari ve endüstriyel kullanım da amacına uygun kullanım değildir.

#### **Dikkat!**

Her türlü kötü amaçlı kullanım yasaktır.

### 1.3 Genel emniyet uyarıları

#### 1.3.1 Yetersiz nitelik nedeniyle tehlike

**Geçerlilik:** Rusya için değil

Aşağıdaki çalışmalar sadece yeterli niteliğe sahip yetkili bayiler tarafından yapılmalıdır:

**Geçerlilik:** Rusya

Aşağıdaki çalışmalar sadece yeterli niteliğe sahip Vaillant sertifikalı yetkili bayiler tarafından yapılmalıdır:

- Montaj
- Sökme
- Kurulum
- Devreye alma
- Kontrol ve bakım
- Tamir
- Ürünün devre dışı bırakılması
- ▶ Tüm ürün kılavuzlarına dikkat edin.
- ▶ Güncel teknoloji seviyesine uygun hareket edin.
- ▶ Tüm direktiflere, standartlara, kanunlara ve diğer yönetmeliklere uyun.

#### 1.3.2 Elektrik çarpması nedeniyle ölüm tehlikesi

Gerilim taşıyan bileşenlere dokunursanız, elektrik çarpmasından dolayı ölüm tehlikesi söz konusudur.

Üründe çalışmaya başlamadan önce:

- ▶ Tüm elektrik beslemesini bütün kutuplardan kapatarak ürünü yüksüz konuma getirin (en az 3 mm kontak açıklığı olan elektrikli ayırma donanımı üzerinden, örn. sigorta veya devre koruma şalteri).
- ▶ Tekrar çalıştırılmaya karşı emniyete alın.
- ▶ Gerilim olmamasını kontrol edin.

#### 1.3.3 Donma sonucu maddi hasar tehlikesi

- ▶ Ürünü donma tehlikesi bulunan mekanlara monte etmeyin.

#### 1.3.4 Sıcak parçalar nedeniyle yanma veya haşlanma tehlikesi

- ▶ Ancak bu parçalar soğuduktan sonra çalışmaya başlayın.

# 1 Emniyet

## 1.3.5 Uygun olmayan alet nedeniyle maddi hasar tehlikesi

- ▶ Rakorlu bağlantıları sıkmak veya çözmek için uygun aletler kullanın.

## 1.3.6 Güvenlik tertibatlarının eksik olması nedeniyle ölüm tehlikesi

Bu kılavuzda yer alan şemalar, usulüne uygun kurulum için gerekli tüm güvenlik tertibatlarını içermemektedir.

- ▶ Sistem için gerekli güvenlik tertibatlarını monte edin.
- ▶ Geçerli ulusal ve uluslararası yasaları, standartları ve yönetmelikleri dikkate alın.

## 1.4 Yönetmelikler (direktifler, kanunlar, standartlar)

- ▶ Ulusal talimatları, standartları, direktifleri ve yasaları dikkate alın.

## 2 Doküman ile ilgili uyarılar

### 2.1 Birlikte geçerli olan dokümanların dikkate alınması

- Sistem bileşenlerinin beraberinde bulunan tüm işletme ve montaj kılavuzlarını mutlaka dikkate alın.

### 2.2 Dokümanların saklanması

- Bu kılavuzu ve ayrıca birlikte geçerli olan tüm belgeleri kullanıcıya teslim edin.

### 2.3 Kılavuzun geçerliliği

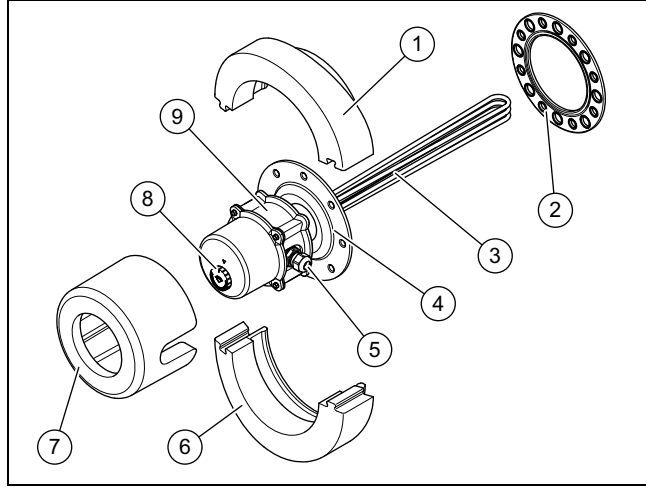
Bu kılavuz sadece aşağıdaki ürünler için geçerlidir:

#### Ürün - Ürün numarası

Rezistans	0020230734
-----------	------------

## 3 Ürünün tanımı

### 3.1 Ürünün yapısı



- |   |  |   |   |
|---|--|---|---|
| 1 | Üst yarım halka izolasyon elemanı                              | 5 | Elektrik bağlantısı için PG cıvata bağlantısı |
| 2 | Temizleme kapağı contası                                       | 6 | Alt yarım halka izolasyon elemanı             |
| 3 | Isıtma çubukları   | 7 | Isıtma çubuğu kafası izolasyon kovanı         |
| 4 | Zayıflatma flanşı, conta ile vida kafasına ön montajı yapılmış | 8 | Ayar regleri                                  |
|   |  | 9 | Cihaz tip etiketi                             |

### 3.2 CE işareti



CE işareti, ürünlerin tip etiketi doğrultusunda geçerli yönetmeliklerin esas taleplerini yerine getirdiğini belgelerdir.

Uygunluk açıklaması için üreticiye danışılabilir.

## 4 Montaj

### 4.1 Teslimat kapsamının kontrolü

- Teslimat kapsamının eksik olup olmadığını kontrol edin.

Miktar	Tanım
1	Rezistans
1	Zayıflatma flanşı
1	Temizleme kapağı contası
1	Kullanma ve montaj kılavuzu

## 5 Kurulum



### Dikkat!

**Eksik topraklama nedeniyle korozyon ve kısa devre kaynaklı maddi hasar riski**

Boylere bir elektrikli ısıtıcı yerleştirirseniz mevcut yabancı gerilim nedeniyle suda bir elektrik potansiyeli oluşabilir ve bu durum elektrikli ısıtıcıda elektro-kimyasal korozyona yol açabilir.

- Hem sıcak su borularının hem de soğuk su borularının doğrudan boylerde, topraklama kablosu aracılığıyla ana topraklama kolektörüne bağlı olduğundan emin olun.
- Ayrıca topraklama terminali üzerinden elektrikli ısıtıcının da ana topraklama kolektörüne bağlı olmasını sağlayın.

Elektrik tesisatı montajı sadece bir elektrik uzmanı tarafından yapılmalıdır.

Elektrikli ısıtıcı sadece yatay konumda monte edilebilir. Dikey montaja izin verilmez.

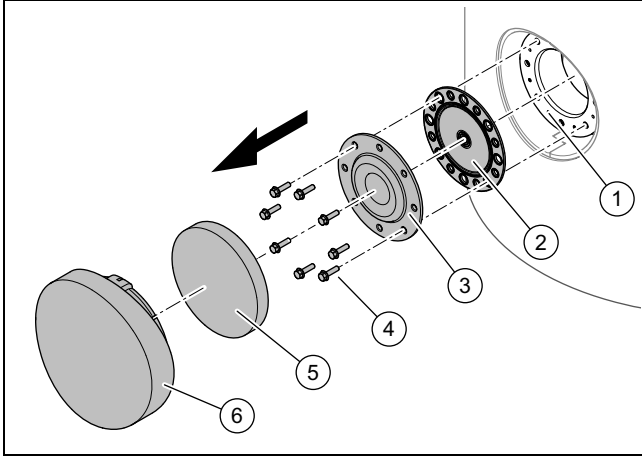
Elektrik bağlantısında, 80 °C sıcaklığa dayanıklı bir şebeke bağlantı kablosu kullanın.

Elektrikli ısıtıcıyı devreye almadan önce sıcak su boylerinin doldurulduğundan emin olun.

Elektrikli ısıtıcının uzun yıllar kullanılabilmesi için şu minimum temiz su kalitesi önerilir: Klorür oranı < 120 mg/l, su sertliği < 2,4965 mmol/l (< 14°dH; < 24,987°fH; < 140 mg CaCO<sub>3</sub>/l; < 249,87 mg CaCO<sub>3</sub>/l; < 249,87 ppm (mg CaCO<sub>3</sub>/l)). Daha yüksek su sertliklerinde bir su yumuşatma sisteminin kullanılması önerilir!

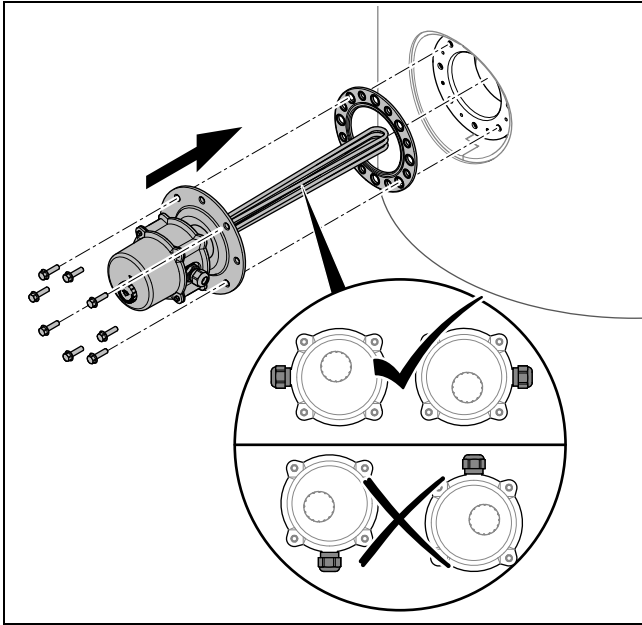
## 5 Kurulum

### 5.1 Temizleme kapağının sökülmesi



1. Gerekirse sıcak su boylerini yüksüz duruma getirin.
2. Sıcak su boylerini boşaltın.
3. (5) ve (6) izolasyon elemanlarını çıkarın.
4. Cıvataları (4), temizleme kapağı (3) sabitlemesinden (1) sökün.
5. Kapağı ve contayı (2) çıkarın.

### 5.2 Elektrikli ısıtıcının monte edilmesi



1. Temizleme kapağı için birlikte teslim edilen yeni contayı kullanın.



#### Tehlike!

#### Dişlinin aşırı döndürülmesi nedeniyle maddi hasar riski

Zayıflatma flanşı elektrikli ısıtıcının dişlisine belirli bir tork değerinde monte edilmiştir, bu durumda delik şablonu ile ısıtma çubukları birbirine karşı ideal konumda bulunur. Zayıflatma flanşını, elektrikli ısıtıcının dişlisinde daha fazla sıkarsanız dişli hasar görebilir.

- Elektrikli ısıtıcıyı, ön montajı yapılmış zayıflatma flanşı ile birlikte teslim edilen şekilde monte edin.

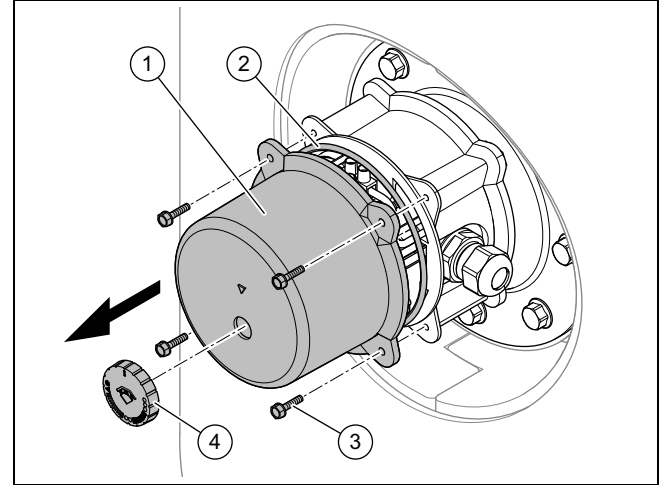
2. Elektrikli ısıtıcıyı gösterilen şekilde monte edin.
3. Zayıflatma flanşındaki cıvataları çapraz sırayla sıkın.

### 5.3 Elektrik beslemesinin yapılması

Harici şebeke bağlantı kablosu topraklanmış olmalı, kutupları doğru ve geçerli talimatlara göre bağlanmalıdır.

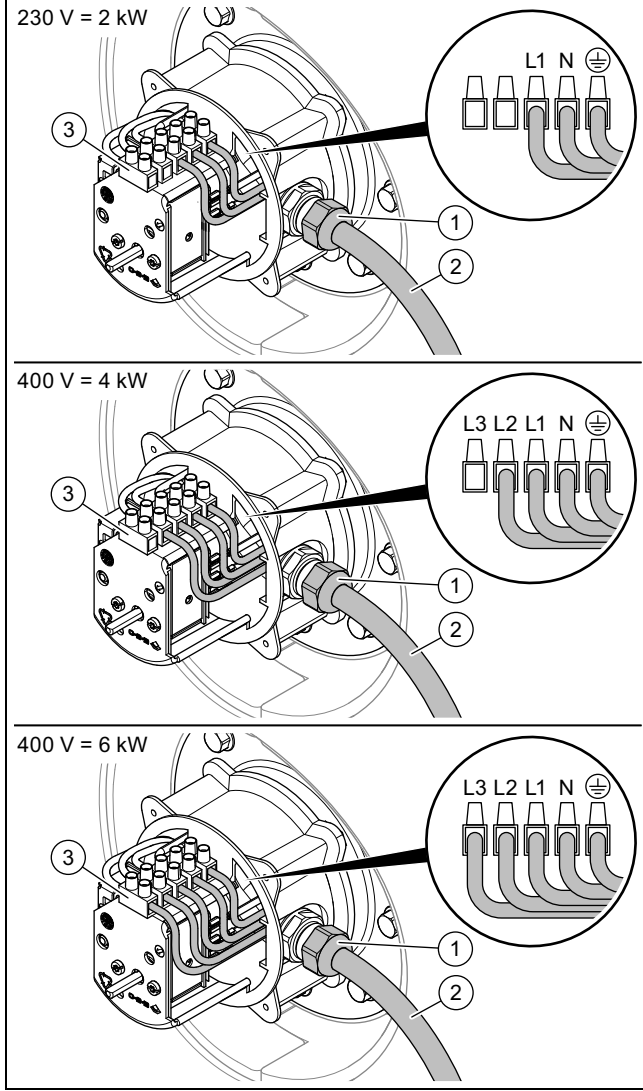
- Sabit bir şebeke bağlantısında, kutup başına en az 3 mm kontak açıklığı olan tüm kutuplu bir ayırma tertibatı monte edin (örn. sigortalar veya güç şalteri).

### 5.4 Elektrik kurulumu



1. Döner düğmeyi (4) ayar reglerinden çekin.
2. Dört altıgen cıvataları (3) sökün.
3. Bağlantı gövdesini (1) ve contayı (2) çekin.



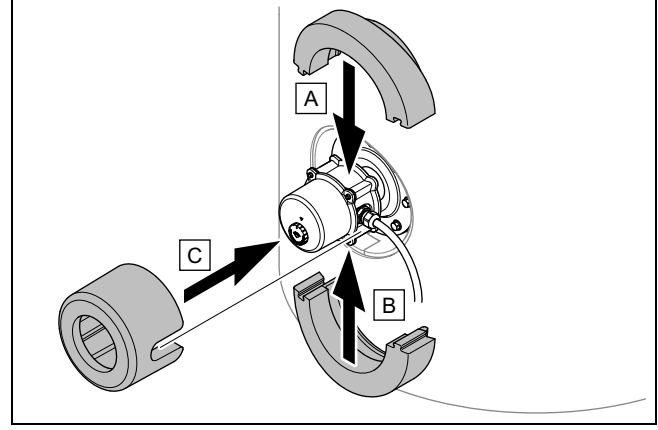


4. Kabloyu (2), şebeke bağlantı deliğinden geçirerek gövdeye ulaştırın ve PG cıvata bağlantısı (1) ile emniyete alın.
  - Önerilen sıkma torku:  $\leq 6,0$  Nm
5. Kablo damarlarını terminal bloğuna (3) bağlayın.
6. Contayı ve bağlantı gövdesini yerleştirin ve dört altıgen cıvata monte edin.
  - Önerilen sıkma torku:  $\leq 1,9$  Nm
7. Döner düğmeyi ayar reglerine takın.

## 6 Devreye alma

### 6.1 Elektrikli ısıtıcının devreye alınması

1. Sıcak su boylerini doldurun.
2. Temizleme kapağının sızdırmazlığını kontrol edin.



3. İzolasyon elemanlarını monte edin.
4. Elektrik beslemesini açın.
5. Ayar düğmesi ile elektrikli ısıtıcıyı ısıtması istenilen sıcaklığa ayarlayın.

## 7 Arıza giderme

### 7.1 Limit termostatın fonksiyonu

Boylerdeki su sıcaklığı  $95$  °C'nin üzerine çıkarsa elektrikli ısıtıcıdaki emniyet termostatu (STB) gerilim beslemesini kapatır.

### 7.2 Limit termostatın kapatıldıktan sonra kilidinin açılması



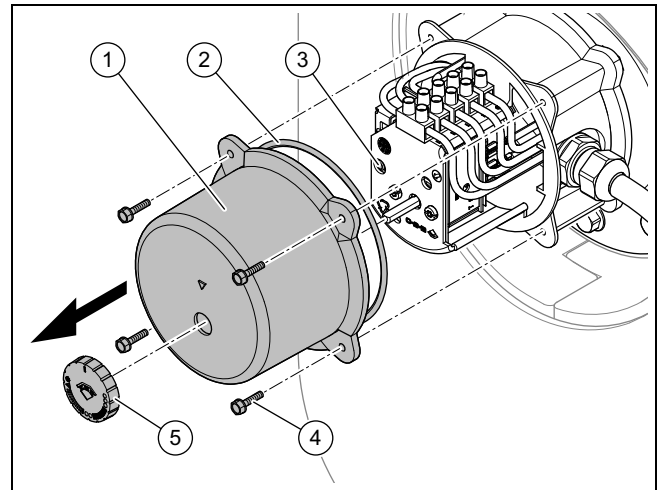
#### Dikkat!

**Aşırı ısınma nedeniyle maddi hasar tehlikesi!**

Ürünün kapanmasına yol açan arıza giderilmezse üründe hasarlar meydana gelebilir.

- Limit termostatu ancak, limit termostatın devreye girmesine yol açan arıza nedeni giderildikten sonra çalıştırın.

1. Elektrik beslemesini kapatın.
2. Elektrikli ısıtıcının izolasyon elemanlarını sökün.



3. Döner düğmeyi (5) ayar reglerinden çekin.
4. Dört altıgen cıvata (4) sökün.
5. Bağlantı gövdesini (1) ve contayı (2) çekin.

## 8 Ürünün devre dışı bırakılması

- Emniyet termostatının kilit açma tuşuna (3) basın.
- Contayı ve bağlantı gövdesini yerleştirin ve dört altıgen cıvatayı monte edin.
- Döner düğmeyi ayar reglerine takın.
- İzolasyon elemanlarını monte edin.
- Elektrik beslemesini açın.

## 8 Ürünün devre dışı bırakılması

### 8.1 Ürünün kapatılması

- Elektrikli ısıtıcının elektrik beslemesini kapatın.
- Elektrik bağlantısını kesin.
- Sıcak su boylerini boşaltın.
- Elektrikli ısıtıcıyı sökün.
- Contayı ve temizleme kapağını monte edin.
- Temizleme kapağını monte edin.

### 8.2 Geri dönüşüm ve atıkların yok edilmesi

#### Ambalaj atıklarının yok edilmesi

- Ambalajı usulüne uygun imha edin.
- Geçerli tüm talimatları dikkate alın.

	Elektrikli ısıtıcı 2 - 6 kW
Giriş uzunluğu (dalma derinliği)	450 mm
Giriş çapı	≈ 36,5 mm
Isıtma çubuğu çapı	6,5 mm
Isıtma çubukları malzemesi	2.4858 / Incoloy 825
Isıtma çubuğu kafasının malzemesi	1.4404
Isıtma çubuğu kafası anahtar genişliği	AG 60 mm
Dişli bağlantısı	G 1 1/2 B iç
Isıtma çubuğu kafası için önerilen sıkma torku	90 ... 100 Nm
Isıtma çubuğu kafasının uzunluğu	≈ 160 mm
Bağlantı gövdesi malzemesi	PA6 GF30
Isıtma çubuğu kafası net ağırlığı	1,36 kg
Elektrik beslemesi	1 N PE ~230 V AC/50 Hz 1x 16 A; 3 N PE ~400 V AC/50 Hz 3 x 16 A
Koruma türü	IP54 (DIN EN 60529)
Elektrik koruma sınıfı	I
Yüksek gerilim kategorisi	II

## 9 Müşteri hizmetleri

### 9.1 Müşteri hizmetleri

Müşteri hizmetlerimizin iletişim bilgilerini ekte veya web sayfamızda bulabilirsiniz.

## 10 Teknik veriler

	Elektrikli ısıtıcı 2 - 6 kW
Nominal çıkış gücü	2; 4; 6 kW
İşletim için izin verilen ortam sıcaklığı	0 ... 40 °C
% cinsinden izin verilen bağıl nem oranı	< 75 (uzun süreli muhafaza etme); < 93 (nakliye sırasında)
Kullanma suyu için önerilen maks. su sertliği	≤ 14 dH°
Sıcaklık ayar aralığı	28 ... 70 °C
Su boyleri için izin verilen sıcaklık	7 ... 85 °C
Sıcak su işletme sıcaklığı	65 °C
Kullanma suyu için maks. boiler sıcaklığı	≤ 95 °C
Kullanma suyu maks. işletme basıncı	≤ 1 MPa (≤ 10 bar)
Kuru işletim için termal kapanma koruması	95 °C <sup>+8 K</sup>
Min. donmaya karşı koruma sıcaklığı	≥ 7 °C
Isıtma çubuğu kafası için maks. sıcaklık	≤ 95 °C
Isıtma çubuğu yüzeyi için maks. sıcaklık	≤ 150 °C
Maks. alan performansı	maks. 14,1 W/cm <sup>3</sup>

## 使用说明

### 内容

<b>1</b>	<b>安全性</b> .....	<b>210</b>
1.1	有关操作的警告提示 .....	210
1.2	符合规定的用途 .....	212
1.3	一般安全提示 .....	210
1.4	规定 (指令、法律、标准) .....	210
<b>2</b>	<b>文档说明</b> .....	<b>211</b>
2.1	注意参考资料 .....	211
2.2	保管资料 .....	211
2.3	本说明的适用范围 .....	211
<b>3</b>	<b>产品描述</b> .....	<b>211</b>
3.1	产品结构 .....	211
3.2	CE 标识 .....	211
<b>4</b>	<b>运行</b> .....	<b>211</b>
4.1	调节器功能一览 .....	211
<b>5</b>	<b>故障排除</b> .....	<b>211</b>
5.1	识别和排除故障 .....	211
<b>6</b>	<b>维护和保养</b> .....	<b>212</b>
6.1	维护本产品 .....	212
<b>7</b>	<b>停止运行</b> .....	<b>212</b>
7.1	使本产品暂时停止运行 .....	212
7.2	使产品最终停止运行 .....	212
7.3	回收和废弃处理 .....	212
<b>8</b>	<b>保修和客户服务</b> .....	<b>212</b>
8.1	保修 .....	212
8.2	客户服务 .....	212

# 1 安全性

## 1 安全性

### 1.1 有关操作的警告提示

#### 与操作相关的警告提示的分级

根据潜在危险的严重性，与操作相关的警告提示通过如下警告符号和提示语分级：

#### 警告符号和提示语



**危险！**

直接生命危险或人员重伤危险



**危险！**

有触电造成的生命危险



**警告！**

人员轻伤危险



**注意！**

财产损失或环境危害风险

### 1.2 符合规定的用途

如果使用不当或不符合规定用途时仍可能给用户或其它人带来人身和生命危险，或者对本产品及其它财产造成损害。

电加热棒用于加热储水罐 VIH R 300 - 500 和 VIH S 300 - 500 的备件。它专门用于辅助加热。

符合规定的用途包括：

- 遵守随附的产品以及所有其它设备组件的使用说明
- 遵守各项说明中列出的所有检查和维护条件。

8岁及以上的儿童以及在身体、感官或精神能力方面受限的人员或缺乏经验和知识的人员，可以在有人监护或已经接受安全使用本产品的相关指导并了解由此带来的风险的情况下使用本产品。儿童不得使用本产品玩耍。儿童不得在无人监护的情况下进行清洁和用户维护作业。

其他或超出所述范围之外的用途均不符合规定。任何直接的商业或工业应用也是不符合规定的。

**注意！**

禁止任何不当使用。

## 1.3 一般安全提示

### 1.3.1 因错误操作造成的危险

错误操作可能会危害到自己和他人，并造成财产损失。

- ▶ 请仔细阅读本说明及所有参考资料，尤其是“安全”这一章和警告提示。
- ▶ 只能按照现有使用说明执行相应的操作。

### 1.3.2 冰冻有造成财产损失的风险

- ▶ 请确保霜冻时供暖设备始终保持运行并且室温调控得当。
- ▶ 如果您无法确保运行，请让专业人员排空供暖设备。

### 1.3.3 改变产品或改变产品环境会造成生命危险

- ▶ 不允许拆除、跨接或停用安全保护装置。
- ▶ 请勿擅动任何安全保护装置。
- ▶ 不得毁坏或去除部件的铅封。
- ▶ 不得对以下各项进行任何改动：
  - 产品
  - 在供水管路和供电导线上
  - 泄压阀
  - 排放管路
  - 可能影响产品运行安全的建筑条件

### 1.3.4 因不当或粗心大意的保养和维修导致受伤危险和财产损失风险

- ▶ 切勿自行对产品进行保养或维修工作。
- ▶ 请立即让专业人员排除故障和损坏。
- ▶ 遵守规定的保养间隔。

## 1.4 规定 (指令、法律、标准)

- ▶ 请遵守国家规定、标准、准则和法律。

## 2 文档说明

### 2.1 注意参考资料

- ▶ 务必注意设备组件随附的所有使用说明。

### 2.2 保管资料

- ▶ 请保存好本说明以及所有参考资料，以备后用。

### 2.3 本说明的适用范围

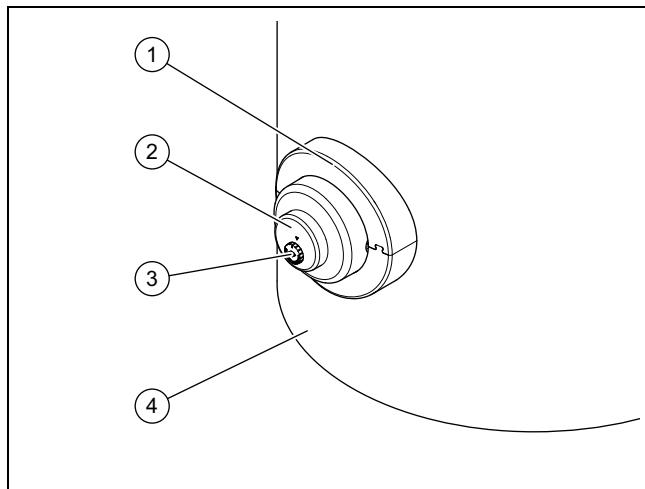
本说明仅适用于：

#### 产品 - 货号

电加热棒	0020230734
------	------------

## 3 产品描述

### 3.1 产品结构



- |              |           |
|--------------|-----------|
| 1 型号铭牌 (盖板下) | 3 热水温度调节器 |
| 2 电加热棒       | 4 储水罐     |

### 3.2 CE 标识



通过 CE 标识表明，型号铭牌所对应的各个产品满足有关指令的基本要求。

一致性声明可在制造商处查阅。

## 4 运行

### 4.1 调节器功能一览

调节器位置	功能
	关闭
	防冻保护
	热水温度约 40 °C
	热水温度约 60 °C
	热水温度约 70 °C
	标准运行 热水温度约 65 °C

## 5 故障排除

### 5.1 识别和排除故障

条件：热水温度未达到设定温度

- ▶ 安全温度限制器可能已触发。请通知专业人员。

## 6 维护和保养

### 6 维护和保养

#### 6.1 维护本产品



**注意！**  
**不合适的清洁剂有造成财产损失的风险！**

- ▶ 请勿使用喷雾、去污剂、洗涤剂、含溶剂或含氯的清洁剂。

- ▶ 请用湿布蘸少许不含溶剂的肥皂液清洁饰板。

### 7 停止运行

#### 7.1 使本产品暂时停止运行

1. 将调节器置于位置 "AUS" (关)。
2. 确保有足够的防冻保护。

#### 7.2 使产品最终停止运行

- ▶ 请让专业人员使本产品最终停止运行。

#### 7.3 回收和废弃处理



若产品有这样的标记：

- ▶ 切勿将产品同生活垃圾一起进行废弃处理。
- ▶ 相反，必要时请将产品交到废旧电气电子设备收集站。



若产品所含的电池有这样的标记，表示它们含有对健康和环境有害的物质。

- ▶ 在这种情况下请将电池交到电池收集站。

## 8 保修和客户服务

### 8.1 保修

您可以通过附件中注明的联系地址获得有关制造商保修的信息。

### 8.2 客户服务

客户服务的联系信息请参见附件或者我们的网站。

## 安装说明

### 内容

<b>1</b>	<b>安全性</b> .....	<b>214</b>
1.1	有关操作的警告提示 .....	214
1.2	符合规定的用途 .....	214
1.3	一般安全提示 .....	214
1.4	规定 (指令、法律、标准) .....	215
<b>2</b>	<b>文档说明</b> .....	<b>216</b>
2.1	注意参考资料 .....	216
2.2	保管资料 .....	216
2.3	本说明的适用范围 .....	216
<b>3</b>	<b>产品描述</b> .....	<b>216</b>
3.1	产品结构 .....	216
3.2	CE 标识 .....	216
<b>4</b>	<b>安装</b> .....	<b>216</b>
4.1	检查装箱清单 .....	216
<b>5</b>	<b>安装</b> .....	<b>216</b>
5.1	拆卸检修口 .....	216
5.2	安装电加热棒 .....	217
5.3	进行供电 .....	217
5.4	电气安装 .....	217
<b>6</b>	<b>调试</b> .....	<b>217</b>
6.1	电加热棒投入运行 .....	217
<b>7</b>	<b>故障排除</b> .....	<b>218</b>
7.1	安全温度限制器功能 .....	218
7.2	关闭后解锁安全温度限制器 .....	218
<b>8</b>	<b>停止运行</b> .....	<b>218</b>
8.1	使产品停止运行 .....	218
8.2	回收和废弃处理 .....	218
<b>9</b>	<b>客户服务</b> .....	<b>218</b>
9.1	客户服务 .....	218
<b>10</b>	<b>技术数据</b> .....	<b>218</b>

# 1 安全性

## 1 安全性

### 1.1 有关操作的警告提示

#### 与操作相关的警告提示的分级

根据潜在危险的严重性，与操作相关的警告提示通过如下警告符号和提示语分级：

#### 警告符号和提示语



**危险！**

直接生命危险或人员重伤危险



**危险！**

致命电击危险



**警告！**

人员轻伤危险



**注意！**

财产损失或环境危害风险

### 1.2 符合规定的用途

如果使用不当或不符合规定用途时仍可能给用户或其它人带来人身和生命危险，或者对本产品及其它财产造成损害。

电加热棒用于加热储水罐 VIH R 300 - 500 和 VIH S 300 - 500 的备件。它专门用于辅助加热。

符合规定的用途包括：

- 遵守产品以及所有其它设备组件随附的使用、安装与保养说明
- 根据产品和系统许可进行安装与装配
- 遵守各项说明中列出的所有检查和维护条件。

此外，符合规定的用途包括按照 IP 等级进行安装。

其他或超出所述范围之外的用途均不符合规定。任何直接的商业或工业应用也是不符合规定的。

**注意！**

禁止任何不当使用。

### 1.3 一般安全提示

#### 1.3.1 人员资质不足造成危险

**适用范围：**不适用于俄罗斯

仅允许由具备相应资质的专业人员进行以下作业：

**适用范围：**俄罗斯

仅允许由 Vaillant 证明的具备相应资质的专业人员进行以下作业：

- 安装
  - 拆卸
  - 安装
  - 调试
  - 检查和保养
  - 修理
  - 停止运行
- ▶ 遵守所有产品随附说明。
  - ▶ 以当前技术要求操作。
  - ▶ 遵守所有相关指令、标准、法律和其他规定。

#### 1.3.2 致命电击危险

触摸通电的组件可能造成致命电击！

在产品上作业前：

- ▶ 通过全极关闭所有供电使产品断电 (触点间距在 3 mm 以上的电气保护装置，例如保险丝或断路器)。
- ▶ 防止重新接通。
- ▶ 检查产品是否断电。

#### 1.3.3 冰冻有造成财产损失的风险

- ▶ 不要在有霜冻危险的空间内安装本产品。

#### 1.3.4 有被炽热部件灼伤或烫伤的危险

- ▶ 等这些部件冷却之后，才可对它们进行作业。

#### 1.3.5 不合适的工具有造成财产损失的风险

- ▶ 拧紧或松开螺栓连接时，请使用符合专业要求的工具。

#### 1.3.6 因缺少安全装置造成的生命危险

本文档所含的示意图并未完全展示正规安装所需的全部安全装置。

- ▶ 请在设备中安装所需的安全装置。



- ▶ 请遵守相关的国家和国际法律、标准及指令。

#### 1.4 规定 (指令、法律、标准)

- ▶ 请遵守国家规定、标准、准则和法律。

## 2 文档说明

### 2 文档说明

#### 2.1 注意参考资料

- ▶ 务必注意设备组件随附的所有使用和安装说明。

#### 2.2 保管资料

- ▶ 将本说明以及所有参考资料转交给设备用户。

#### 2.3 本说明的适用范围

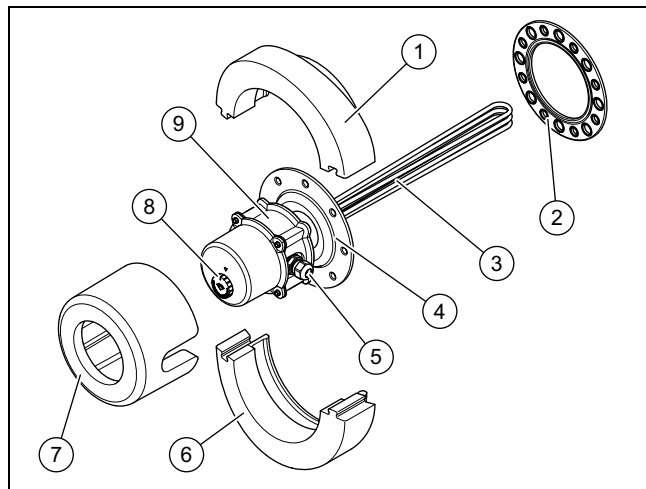
本说明仅适用于：

产品 - 货号

电加热棒	0020230734
------	------------

## 3 产品描述

### 3.1 产品结构



- |                 |                   |
|-----------------|-------------------|
| 1 上部半环的隔离元件     | 5 用于电气连接的 PG 螺纹接头 |
| 2 检修口密封件        | 6 下部半环的隔离元件       |
| 3 加热棒           | 7 加热棒头的隔离套筒       |
| 4 缩径法兰，预装螺旋头密封件 | 8 调节器             |
|                 | 9 型号铭牌            |

### 3.2 CE 标识



通过 CE 标识表明，型号铭牌所对应的各个产品满足有关指令的基本要求。

一致性声明可在制造商处查阅。

## 4 安装

### 4.1 检查装箱清单

- ▶ 请检查装箱清单相关内容的完整性和完好性。

数量	名称
1	电加热棒
1	缩径法兰
1	检修口密封件
1	使用和安装说明

## 5 安装



**注意！**

缺少接地时会因腐蚀和短路造成财产损失危险

将电加热棒装入储水罐时，因存在外部电压会在水中产生一个电势，可能造成加热棒电腐蚀。

- ▶ 确保热水管和冷水管就在储水罐上通过接地电缆与主接地汇流排连接。
- ▶ 此外确保电加热棒也通过接地端子与主接地汇流排连接。

只允许由专业电工进行电气安装。

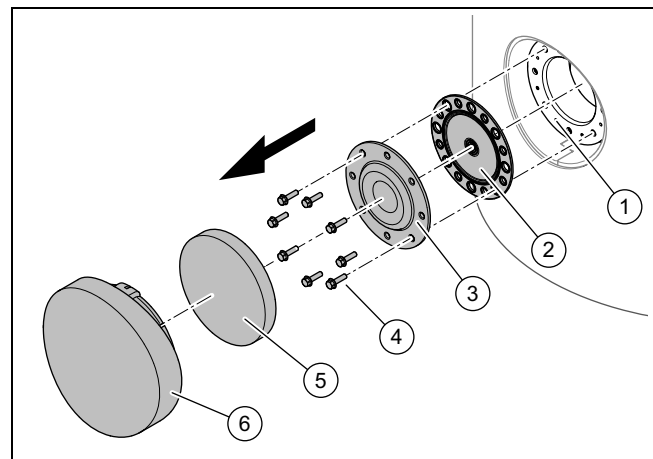
加热棒只允许水平安装。不允许垂直安装。

使用可耐受 80 °C 高温的电源线进行电气连接。

在电加热棒投入运行前确保热水储水罐已加注。

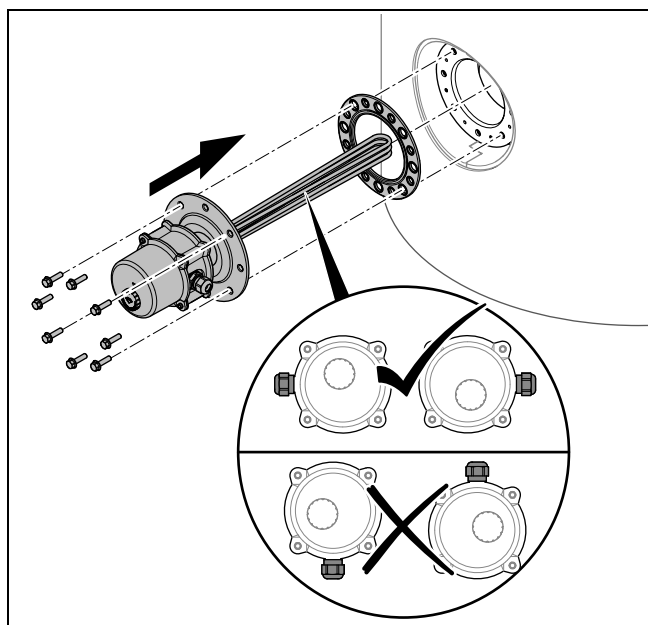
为使电加热棒常年功能良好，建议所用新鲜水的最低品质为：氧化物含量 < 120 mg/l，水的硬度 < 2.4965 mmol/l (< 14°dH；< 24.987°FH；< 140 mg CaCO<sub>3</sub>/l；< 249.87 mg CaCO<sub>3</sub>/l；< 249.87 ppm (mg CaCO<sub>3</sub>/l))。水的硬度较高时建议使用软水处理装置！

### 5.1 拆卸检修口



1. 必要时断开储水罐供电。
2. 排空热水储水罐。
3. 拆下隔离元件 (5) 和 (6)。
4. 拆除用于固定检修口 (1) 盖板 (3) 的螺栓 (4)。
5. 取下盖板和密封件 (2)。

## 5.2 安装电加热棒



1. 使用随附的检修口新密封件。



**危险！**  
过度旋转螺纹会有财产损失的危险

缩径法兰以一定的扭矩预装在电加热棒螺纹上，使得管孔图和加热棒彼此处于理想位置。如果将缩径法兰在电加热棒螺纹上进一步拧紧，螺纹可能会受损。

- ▶ 按照发货状态，安装已预装缩径法兰的电加热棒。

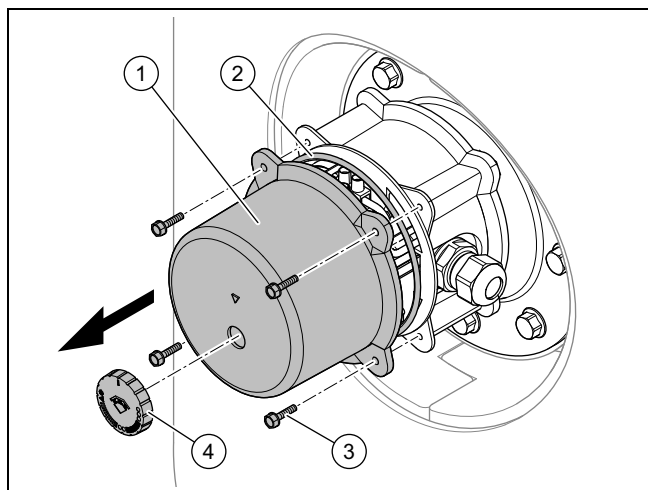
2. 如图所示安装电加热棒。
3. 对角拧紧缩径法兰的螺栓。

## 5.3 进行供电

外部电源线必须接地，并且以正确的极性根据现行法规连接。

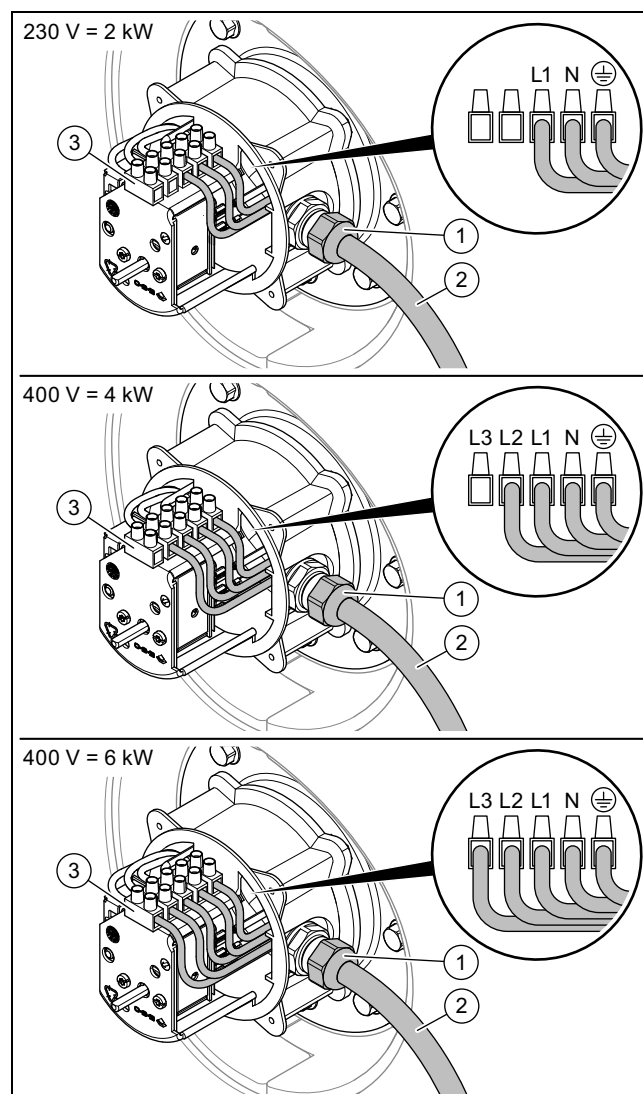
- ▶ 为固定布线的电源接口安装一个每一极触点间距在 3 mm 以上的全极保护装置 (例如保险丝或断路器)。

## 5.4 电气安装



1. 将旋钮 (4) 从调节器上拔下。

2. 拆下 4 个六角螺栓 (3)。
3. 拔下连接壳体 (1) 和密封件 (2)。



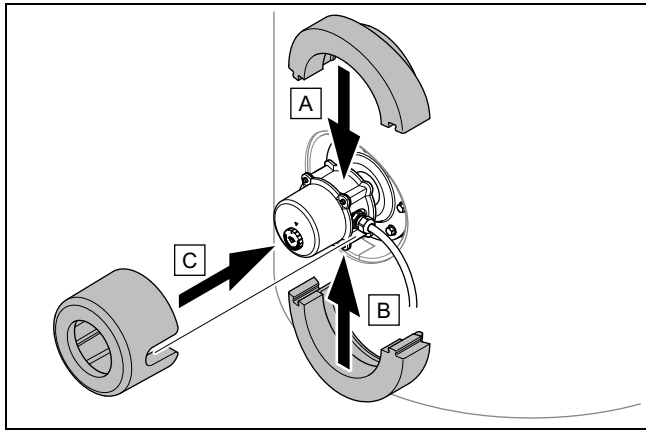
4. 将电缆 (2) 穿过电源连接开口伸入壳体内，用 PG 螺纹接头 (1) 固定。
  - 推荐的拧紧力矩： $\leq 6.0 \text{ Nm}$
5. 将芯线连接到端子排 (3) 上。
6. 插上密封件和连接壳体，安装 4 个六角螺栓。
  - 推荐的拧紧力矩： $\leq 1.9 \text{ Nm}$
7. 将旋钮插到调节器上。

## 6 调试

### 6.1 电加热棒投入运行

1. 加注热水储水罐。
2. 检查检修口的密封性。

## 7 故障排除



3. 请安装隔离元件。
4. 接通电源。
5. 用调节轮调节电加热棒应加热到的温度。

## 7 故障排除

### 7.1 安全温度限制器功能

一旦储水罐内的水温上升到超过 95 °C，电加热棒的安全温度限制器 (STB) 会切断供电。

### 7.2 关闭后解锁安全温度限制器

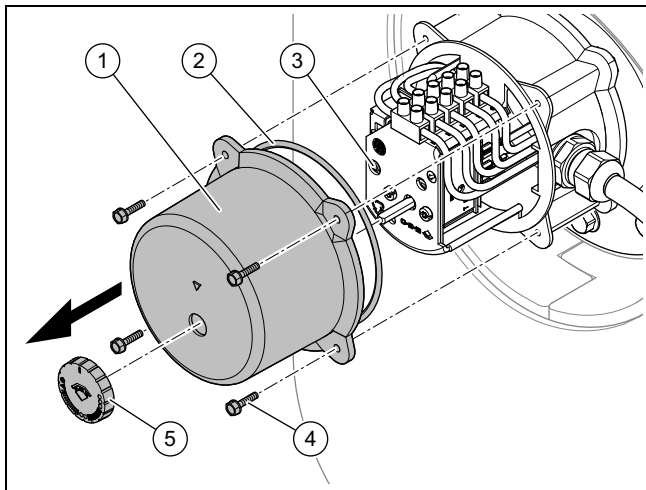


**注意！**  
**过热会造成财产损失危险！**

如果造成产品关闭的故障未被排除，可能使产品损坏。

- ▶ 仅在排除了触发安全温度限制器的故障原因后，再重新接通安全温度限制器。

1. 关闭电源。
2. 拆下电加热棒的隔离元件。



3. 将旋钮 (5) 从调节器上拔下。
4. 拆下 4 个六角螺栓 (4)。
5. 拔下连接壳体 (1) 和密封件 (2)。
6. 按入安全温度限制器 (3) 的解锁按钮。
7. 插上密封件和连接壳体，安装 4 个六角螺栓。
8. 将旋钮插到调节器上。
9. 请安装隔离元件。

10. 接通电源。

## 8 停止运行

### 8.1 使产品停止运行

1. 关闭电加热棒的供电。
2. 断开供电。
3. 排空热水储水罐。
4. 拆卸电加热棒。
5. 安装检修口密封件和盖板。
6. 安装检修口盖板。

### 8.2 回收和废弃处理

#### 对包装进行废弃处理

- ▶ 规范地对包装进行废弃处理。
- ▶ 遵守所有相关规定。

## 9 客户服务

### 9.1 客户服务

客户服务的联系信息请参见附件或者我们的网站。

## 10 技术数据

	电加热棒 2 - 6 kW
额定输出功率	2、4、6 kW
运行所允许的环境温度	0 ... 40 °C
允许的湿度百分比	< 75 (长期存放) ; < 93 (运输期间)
推荐生活热水的最大水硬度	≤ 14 °dH
温度调节范围	28 ... 70 °C
储水的允许温度	7 ... 85 °C
热水工作温度	65 °C
最高生活热水储水罐温度	≤ 95 °C
生活热水最大工作压力	≤ 1 MPa (≤ 10 bar)
干运行的热敏关断保护	95 °C <sup>+8 K</sup>
最低防冻保护温度	≥ 7 °C
加热棒头最高温度	≤ 95 °C
加热棒表面最高温度	≤ 150 °C
最大面积加热效率	最大 14.1 W/cm <sup>3</sup>
伸入长度 (浸入深度)	450 mm
伸入直径	≈ 36.5 mm
加热棒直径	6.5 mm
加热棒材料	2.4858 / Incoloy 825
加热棒头材料	1.4404
加热棒头开口度	SW 60 mm
螺纹连接	G 1 1/2 B 英寸
加热棒头的推荐拧紧力矩	90 ... 100 Nm
加热棒头长度	≈ 160 mm
连接壳体材料	PA6 GF30

	电加热棒 2 - 6 kW
加热棒头净重	1.36 kg
供电	1 N PE ~230 V AC/50 Hz 1x 16 A ; 3 N PE ~400 V AC/50 Hz 3 x 16 A
防水保护等级	IP54 (DIN EN 60529)
电气防护等级	I
过压类型	II

## Country specifics

### Country specifics and addresses

<b>Manufacturer</b> .....	<b>220</b>
<b>Supplier</b> .....	<b>220</b>
<b>1 AL, Shqipëri</b> .....	<b>220</b>
<b>2 AT, Österreich</b> .....	<b>220</b>
<b>3 BA, Bosna i Hercegovina</b> .....	<b>220</b>
<b>4 BE, Belgien, Belgique, België</b> .....	<b>221</b>
<b>5 CH, Schweiz, Suisse, Svizzera</b> .....	<b>221</b>
<b>6 CN, 中国</b> .....	<b>221</b>
<b>7 DE, Deutschland</b> .....	<b>221</b>
<b>8 DK, Danmark</b> .....	<b>221</b>
<b>9 ES, España</b> .....	<b>221</b>
<b>10 FR, France</b> .....	<b>221</b>
<b>11 HR, Hrvatska</b> .....	<b>221</b>
<b>12 HU, Magyarország</b> .....	<b>221</b>
<b>13 IT, Italia</b> .....	<b>221</b>
<b>14 KO, Kosovë, Kosovo</b> .....	<b>222</b>
<b>15 ME, Crna Gora</b> .....	<b>222</b>
<b>16 MK, Makedonija, Македонија</b> .....	<b>222</b>
<b>17 NL, Nederland</b> .....	<b>222</b>
<b>18 PL, Polska</b> .....	<b>222</b>
<b>19 RS, Srbija</b> .....	<b>222</b>
<b>20 RU, Россия</b> .....	<b>222</b>
<b>21 SI, Slovenija</b> .....	<b>223</b>
<b>22 SK, Slovaška</b> .....	<b>223</b>
<b>23 TR, Türkiye</b> .....	<b>223</b>

### Manufacturer

Vaillant GmbH  
Berghauser Str. 40  
D-42859 Remscheid  
Deutschland  
Tel.: +49 21 91 18-0  
Fax: +49 21 91 18-2810  
info@vaillant.de  
www.vaillant.de

威能有限责任公司  
40 号贝尔豪森大街  
雷姆沙伊德区号42859  
德国  
Tel.: +49 21 91 18-0  
Fax: +49 21 91 18-2810  
info@vaillant.de  
www.vaillant.de

Вайлант ГмбХ  
Бергхаузер штр. 40  
D-42859 Ремшайд  
Германия  
Тел: +4 9 21 91 18-0  
Факс: +4 9 21 91 18-2810  
info@vaillant.de  
www.vaillant.de

### Supplier

---

#### 1 AL, Shqipëri

Vaillant d.o.o.  
Heinzelova 60  
10000 Zagreb  
Hrvatska  
Tel.: 01 6188-670  
Tel.: 01 6188-671  
Tel.: 01 6064-380  
Tehnički odjel: 01 6188-673  
Fax: 01 6188-669  
info@vaillant.hr  
www.vaillant.hr

---

#### 2 AT, Österreich

Vaillant Group Austria GmbH  
Clemens-Holzmeister-Straße 6  
1100 Wien  
Telefon: 05 7050-2100  
(zum Regionaltarif österreichweit, bei Anrufen aus dem Mobilfunknetz ggf. abweichende Tarife - nähere Information erhalten Sie bei Ihrem Mobilnetzbetreiber)  
Telefax: 05 7050-1199  
info@vaillant.at  
Kundendienst: termin@vaillant.at  
www.vaillant.at

---

#### 3 BA, Bosna i Hercegovina

Vaillant d.o.o.  
Zvornička 9  
BiH Sarajevo  
**Hrvatska**  
Tel.: 033 6106-35  
Fax: 033 6106-42  
vaillant@bih.net.ba  
www.vaillant.ba

### 4 BE, Belgien, Belgique, België

N.V. Vaillant S.A.  
Golden Hopestraat 15  
B-1620 Drogenbos  
Tel.: 2 3349300  
Fax: 2 3349319  
Kundendienst / Service après-vente / Klantendienst:  
2 3349352  
info@vaillant.be  
www.vaillant.be

### 5 CH, Schweiz, Suisse, Svizzera

Vaillant GmbH (Schweiz, Suisse, Svizzera)  
Riedstrasse 12  
CH-8953 Dietikon  
Tel.: 044 74429-29  
Fax: 044 74429-28  
Kundendienst: 044 74429-29  
Techn. Vertriebssupport: 044 74429-19  
info@vaillant.ch  
www.vaillant.ch

Vaillant Sàrl  
Rte du Bugnon 43  
CH-1752 Villars-sur-Glâne  
Tél.: 026 40972-10  
Fax: 026 40972-14  
Service après-vente tel.: 026 40972-17  
Service après-vente fax: 026 40972-19  
romandie@vaillant.ch  
www.vaillant.ch

### 6 CN, 中国

威能 (中国) 供热制冷环境技术有限公司  
12-15层上海市黄浦区鲁班路558号经纬国际大厦  
中国上海200023  
电话: 021 60287900  
传真: 021 60287999  
威能售后服务电  
话: 4007001890  
info@vaillant.com.cn  
www.vaillantchina.cn

### 7 DE, Deutschland

Vaillant Deutschland GmbH & Co.KG  
Berghäuser Str. 40  
D-42859 Remscheid  
Telefon: 021 91 18-0  
Telefax: 021 91 18-2810  
Auftragsannahme Vaillant Kundendienst: 021 91 57 67 901  
info@vaillant.de  
www.vaillant.de

### 8 DK, Danmark

Vaillant A/S  
Drejergangen 3 A  
DK-2690 Karlslunde  
Telefon: 46 160200  
Vaillant Kundeservice: 46 160200  
Telefax: 46 160220  
service@vaillant.dk  
www.vaillant.dk

### 9 ES, España

Vaillant S. L.  
Atención al cliente  
Pol. Industrial Apartado 1.143  
C/La Granja, 26  
28108 Alcobendas (Madrid)  
Teléfono: 9 02116819  
Fax: 9 16615197  
www.vaillant.es

### 10 FR, France

VAILLANT GROUP FRANCE  
„Le Technipole“  
8, Avenue Pablo Picasso  
F-94132 Fontenay-sous-Bois Cedex  
Téléphone: 01 49741111  
Fax: 01 48768932  
Assistance technique: 08 26 270303  
(0,15 EUR TTC/min)  
Ligne Particuliers: 09 74757475  
(0,022 EUR TTC/min + 0,09 EUR TTC de mise en relation)  
www.vaillant.fr

### 11 HR, Hrvatska

Vaillant d.o.o.  
Heinzelova 60  
10000 Zagreb  
Hrvatska  
Tel.: 01 6188-670  
Tel.: 01 6188-671  
Tel.: 01 6064-380  
Tehnički odjel: 01 6188-673  
Fax: 01 6188-669  
info@vaillant.hr  
http://www.vaillant.hr

### 12 HU, Magyarország

Vaillant Saunier Duval Kft.  
Hunyadi János út. 1.  
1117 Budapest  
Tel: 1 4647800  
Telefax: 1 4647801  
vaillant@vaillant.hu  
www.vaillant.hu

### 13 IT, Italia

Vaillant Group Italia S.p.A unipersonale  
Società soggetta all'attività di direzione e coordinamento  
della Vaillant GmbH  
Via Benigno Crespi 70  
20159 Milano  
Tel.: 02 697121  
Fax: 02 69712500  
Centro di Assistenza Tecnica  
Vaillant Service: 800 088766  
info.italia@vaillantgroup.it  
www.vaillant.it

---

### 14 KO, Kosovë, Kosovo

Vaillant d.o.o.  
Heinzelova 60  
10000 Zagreb  
Hrvatska  
Tel.: 01 6188-670  
Tel.: 01 6188-671  
Tel.: 01 6064-380  
Tehnički odjel: 01 6188-673  
Fax: 01 6188-669  
info@vaillant.hr  
www.vaillant.hr

---

### 15 ME, Crna Gora

Vaillant d.o.o.  
Heinzelova 60  
10000 Zagreb  
Hrvatska  
Tel.: 01 6188-670  
Tel.: 01 6188-671  
Tel.: 01 6064-380  
Tehnički odjel: 01 6188-673  
Fax: 01 6188-669  
info@vaillant.hr  
www.vaillant.hr

---

### 16 MK, Makedonija, Македонија

Vaillant d.o.o.  
Heinzelova 60  
10000 Zagreb  
Tel.: 01 6188-670  
Tel.: 01 6188-671  
Tel.: 01 6064-380  
Tehnički odjel: 01 6188-673  
Fax: 01 6188-669  
info@vaillant.hr  
www.vaillant.hr

---

### 17 NL, Nederland

Vaillant Group Netherlands B.V.  
Postbus 23250  
1100 DT Amsterdam  
Telefoon: 020 5659200  
Telefax: 020 6969366  
Consumentenservice: 020 5659420  
Serviceteam: 020 5659440  
info@vaillant.nl  
www.vaillant.nl

---

### 18 PL, Polska

Vaillant Saunier Duval Sp. z.o.o.  
Al. Krakowska 106  
02-256 Warszawa  
Tel.: 022 3230100  
Fax: 022 3230113  
Infolinia: 08 01 804444  
vaillant@vaillant.pl  
www.vaillant.pl

---

### 19 RS, Srbija

Vaillant d.o.o.  
Radnička 59  
11030 Beograd  
Tel.: 011 3540-050  
Tel.: 011 3540-250  
Tel.: 011 3540-466  
Fax: 011 2544-390  
info@vaillant.rs  
www.vaillant.rs

---

### 30 RU, Россия

ООО «Вайлант Груп Рус», Россия  
143421 Московская область – Красногорский район  
26-й км автодороги «Балтия», бизнес-центр «Рига Ленд»  
Строение 3, 3-й подъезд, 5-й этаж  
Тел.: +7 4 95 788-4544  
Факс: +7 4 95 788-4565  
Техническая поддержка для специалистов:  
+7 4 95 921-4544 (круглосуточно)  
info@vaillant.ru  
www.vaillant.ru  
вайлант.рф

#### 30.1 ОПАСНО!

- ▶ Опасность получения термического ожога!
- ▶ Опасность поражения электрическим током!
- ▶ Для оборудования подключаемого к электрической сети!
- ▶ Перед монтажом прочесть инструкцию по монтажу!
- ▶ Перед вводом в эксплуатацию прочесть инструкцию по эксплуатации!
- ▶ Соблюдать указания по техническому обслуживанию, приведенные в инструкции по эксплуатации!

#### 30.2 Правила упаковки, транспортировки и хранения

Приборы поставляются в упаковке предприятия-изготовителя.

Приборы транспортируются автомобильным, водным и железнодорожным транспортом в соответствии с правилами перевозки грузов, действующими на конкретном виде транспорта. При транспортировке необходимо предусмотреть надежное закрепление изделий от горизонтальных и вертикальных перемещений.

Неустановленные приборы хранятся в упаковке предприятия-изготовителя. Хранить приборы необходимо в закрытых помещениях с естественной циркуляцией воздуха в стандартных условиях (неагрессивная и беспылевая среда, перепад температуры от –10 °С до +37 °С, влажность воздуха до 80%, без ударов и вибраций).

#### 30.3 Срок хранения

- Срок хранения: 22 месяца.

#### 30.4 Срок службы

При условии соблюдения предписаний относительно транспортировки, хранения, монтажа и эксплуатации, ожидаемый срок службы изделия составляет 15 лет.

#### 30.5 Дата производства

Дата производства (неделя, год) указаны в серийном номере на маркировочной табличке:

- третий и четвертый знак серийного номера указывают год производства (двухзначный).
- пятый и шестой знак серийного номера указывают неделю производства (от 01 до 52).



30.6 Eđinđy znak obraćena na rynku  
gosudarstv-ćlenov Tamozhennoĝo soĝyza



Markirovka izdelija eđinđym znakom obraćena na rynku gosudarstv-ćlenov Tamozhennoĝo Soĝyza svi- detel'stvoet sootvetstvie izdelija trebovaniyam vseh tehnićeskix predpisaniĝ Tamozhennoĝo Soĝyza, rasprostranyajuxix na nego.

### 21 SI, Slovenija

Vaillant d.o.o.  
Dolenjska c. 242 b  
1000 Ljubljana  
Tel.: 01 28093-40  
Tel.: 01 28093-42  
Tel.: 01 28093-46  
Tehnićni oddelek: 01 28093-45  
Fax: 01 28093-44  
info@vaillant.si  
www.vaillant.si

### 22 SK, Slovařka

Vaillant Group Slovakia, s.r.o.  
Pplk. Pl'uřt'a 45  
Skalica 909 01  
Tel: +4 21 34 6966-101  
Fax: +4 21 34 6966-111  
Zákazníćka linka: +4 21 34 6966-128  
www.vaillant.sk

### 23 TR, Tűrkiye

Vaillant Isı Sanayi ve Ticaret Ltd. řti.  
Bahćelievler Mah. Bosna Bulvarı 146  
34688 / Ğengelkűy, Űskűdar – İstanbul  
Műřteri Hizmetleri: 444 2888  
Tel.: 02 16 558-8000  
Fax: 02 16 462-3424  
vaillant@vaillant.com.tr  
www.vaillant.com.tr

#### 23.1 Montaj bilgileri

Űrűnűn montajı ile ilgili gerekli bilgiler ařaĝıda aćıklanmıřtır.

1. Bu Űrűn sadece, Vaillant yetkili satıcılarının uzman tes- satćıları tarafından monte edilmelidir. Montajın mevcut talimatlara, kurallara ve direktiflere uygun olmasından bu uzman tesisatćı sorumludur. Űrűnűn tamir ve bakımı Vaillant teknik servisi tarafından yapılmalıdır.
2. Űrűnűn montajı ile ilgili bilgi ve řemalar, bu kılavuz ile birlikte verilen montaj kılavuzunun "Montaj" bűlűműnde verilmiřtir.
3. Űrűnűn teknik bilgileri, bu kılavuz ile birlikte verilen monaj kılavuzunun "Teknik bilgiler" bűlűműnde verilmiřtir.

#### 23.2 Tűketicinin sećimlik hakları

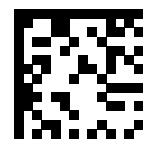
1. Malın ayıplı olduĝunun anlařılması durumunda tűketicisi;  
1.1 Satılanı geri vermeye hazır olduĝunu bildirerek sűzleřmeden dűnme,  
1.2 Satılanı alıkoyup ayıp oranında satış bedelinden indirim isteme,  
1.3 Ařırđ bir masraf gerektirmediĝi takdirde, bűtűn masrafları satıcıya ait olmak Űzere satılanın Űcretsiz onarılmasını isteme,  
1.4 İmkűn varsa, satılanın ayıpsız birmisli ile deĝiřtiril- mesini isteme, sećimlik haklarından birini kullanabilir. Satıcı, tűketicinin tercih ettiĝi bu talebi yerine getirmekle yűkűmlűdűr.
2. Űcretsiz onarım veya malın ayıpsız misli ile deĝiřtirilmesi hakları Űretici veya ithalatćıya karřı da kullanılabilir. Bu fıkradaki hakların yerine getirilmesi konusunda satıcı, Űretici ve ithalatćı műteselsilen sorumludur. Űretici veya ithalatćı, malın kendisi tarafından piyasaya sűrűlmesin- den sonra ayıbın doĝduĝunu ispat ettiĝ takdirde sorumlu tutulmaz.
3. Űcretsiz onarım veya malın ayıpsız misli ile deĝiřtirilme- sinin satıcı ićin orantısız gűclűkleri beraberinde getirecek olması hűlinde tűketicisi, sűzleřmeden dűnme veya ayıp oranında bedelden indirim haklarından birini kullanabilir. Orantısızlıĝın tayininde malın ayıpsız deĝeri, ayıbın űnemi ve diĝer sećimlik haklara bařvurmanın tűketicisi aćısından sorun teřkil edip etmeyeceĝi gibi hususlar dikkate alınır.
4. Űcretsiz onarım veya malın ayıpsız misli ile deĝiřtirilmesi haklarından birinin sećilmesi durumunda bu talebin satıcıya, Űreticiye veya ithalatćıya yűneltilmesinden itibaren azami otuz iř gűnű,ićinde yerine getirilmesi zorunludur. Ancak, 6502 sayılı Tűketicinin Korunması Hakkında Kanun'un 58 inci maddesi uyarınca ćikarılan yűnetmelik eki listede yer alan mallara iliřkin, tűketicinin Űcretsiz onarım talebi, yűnetmelikte belirlenen azami tamir sűresi ićinde yerine getirilir. Aksi hűlde tűketicisi diĝer sećimlik haklarını kullanmakta serbesttir.
5. Tűketicinin sűzleřmeden dűnme veya ayıp oranında bedelden indirim hakkını sećtiĝi durumlarda, űdemiř olduĝu bedelin tűmű veya bedelden yapılan indirim tutarı derhűl tűketicisiye iade edilir.
6. Sećimlik hakların kullanılması nedeniyle ortaya ćikan tűm masraflar, tűketicinin sećtiĝi hakkı yerine getiren tarafća karřılanır. Tűketicisi bu sećimlik haklarından biri ile birlikte 11/1/2011 tarihli ve 6098 sayılı Tűrk Borćlar Kanunu hűkűmleri uyarınca tazminat da talep edebilir.

#### 23.3 Tűketicinin řikayet ve itirazı durumunda

Tűketicisi, sećimlik haklarının kullanılması ile ilgili olarak ćiıkabilecek uyuřmazlıklarda yerleřim yerinin bulunduĝu veya tűketicisi iřleminin yapıldıĝı yerdeki **Tűketicisi Hakem Heyetine** veya **Tűketicisi Mahkemesine** bařvurabilir.







0020230754\_01

0020230754\_01 ■ 20.11.2017

© These instructions, or parts thereof, are protected by copyright and may be reproduced or distributed only with the manufacturer's written consent.