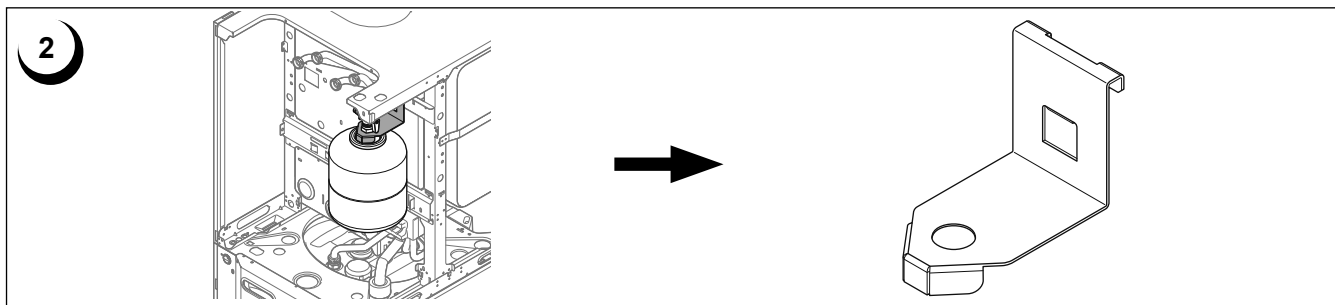
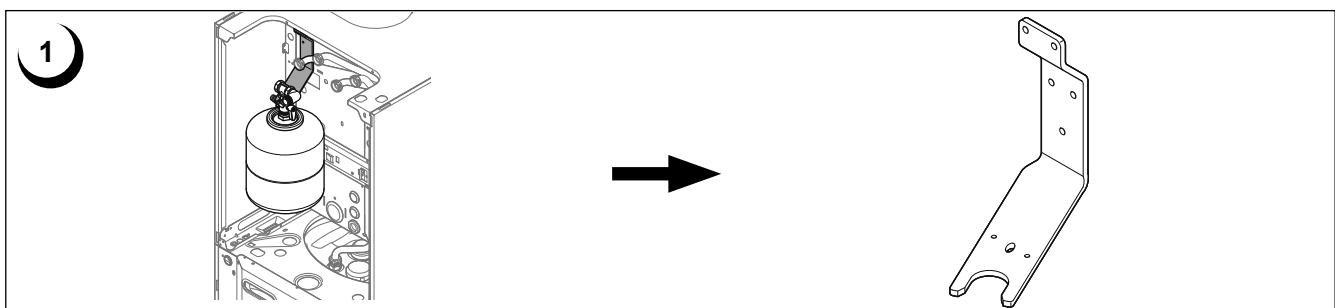
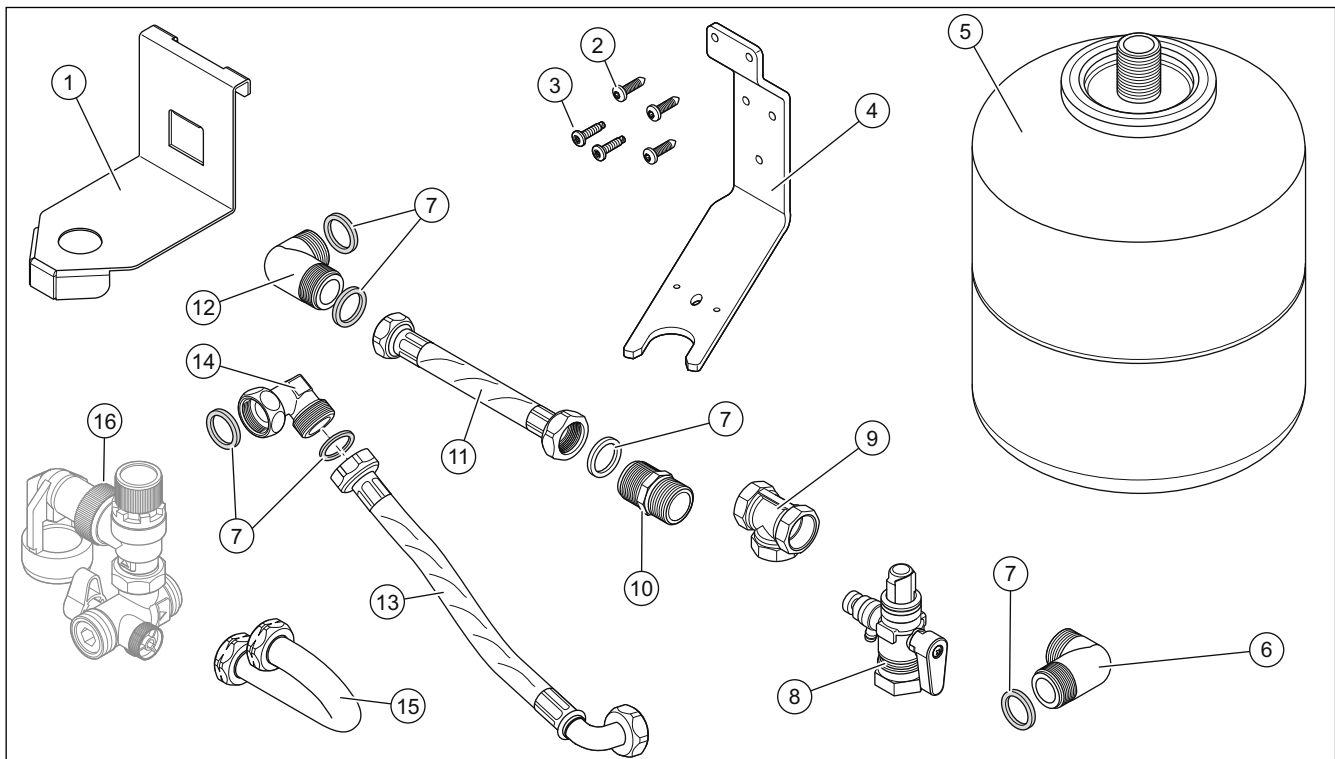
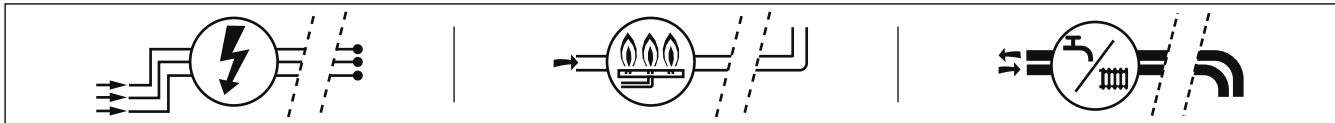
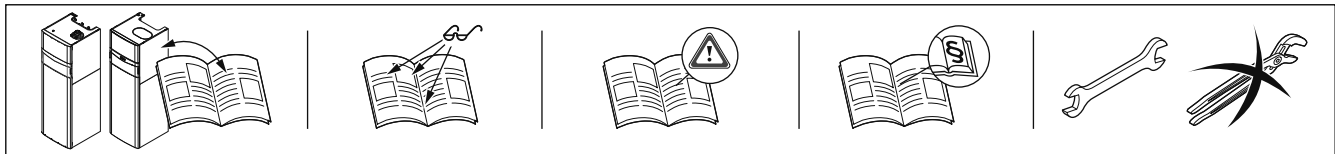
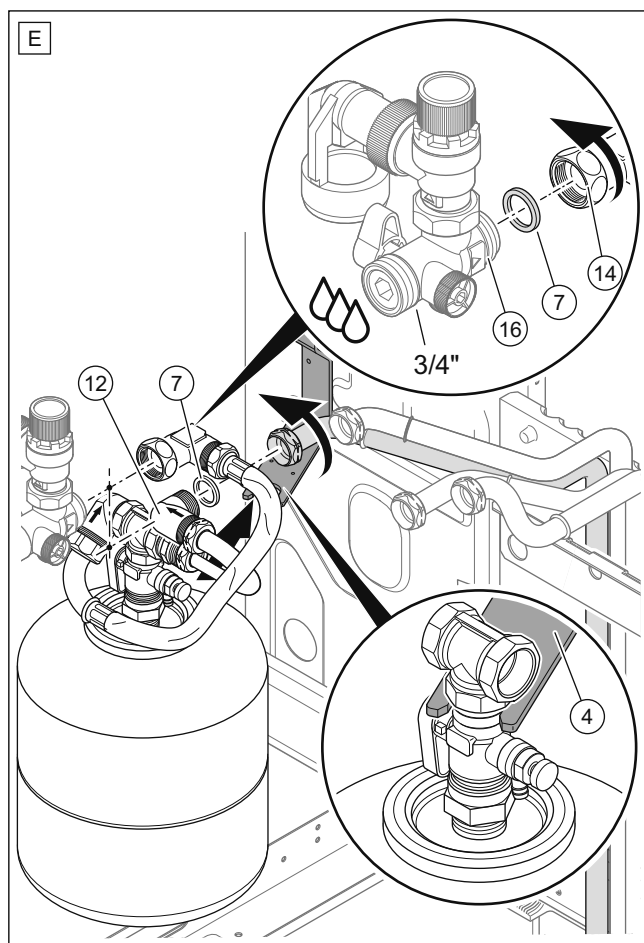
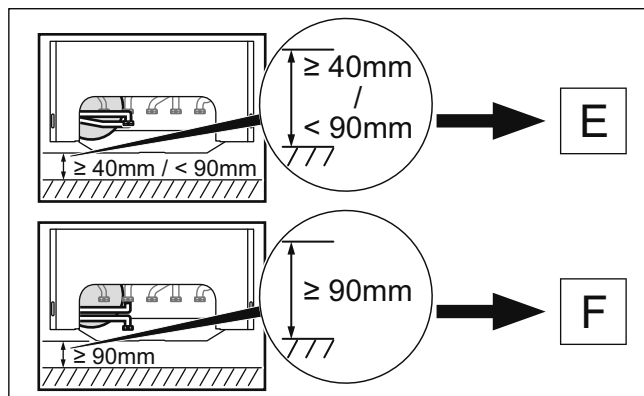
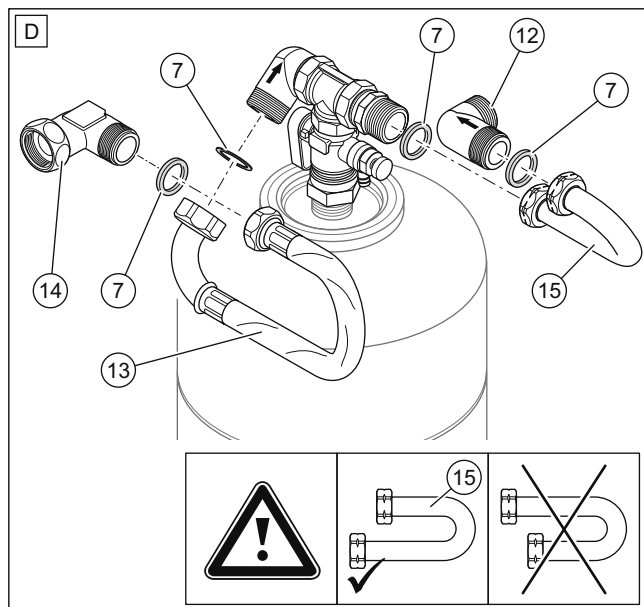
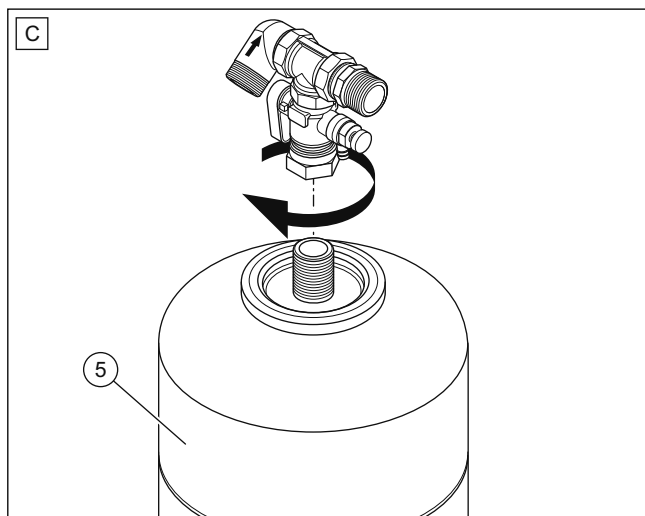
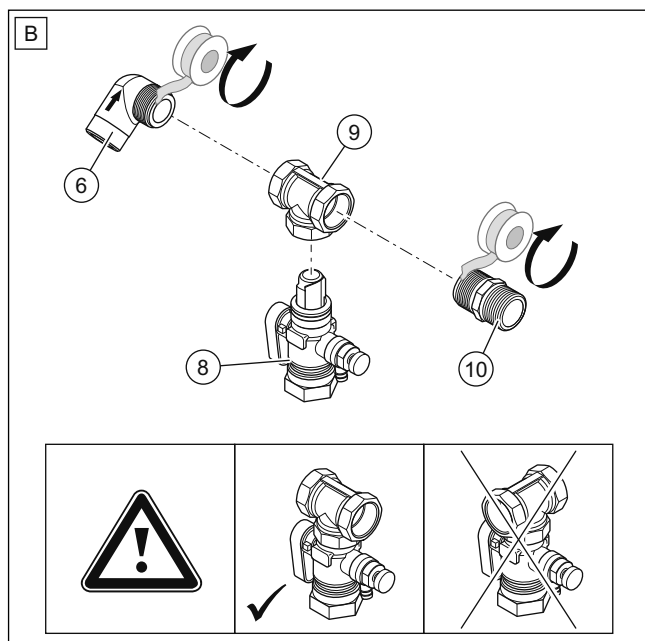
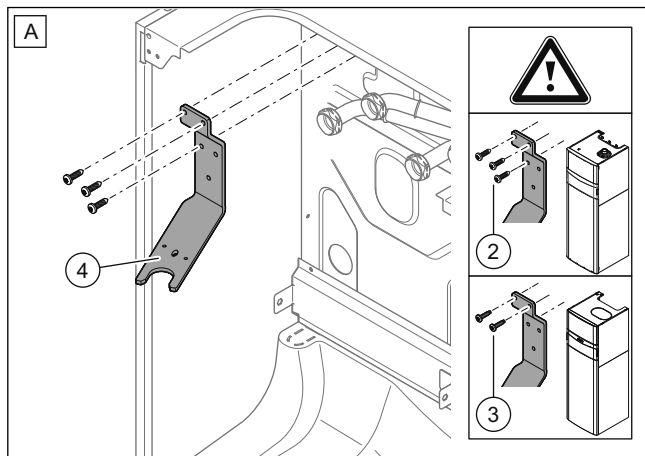
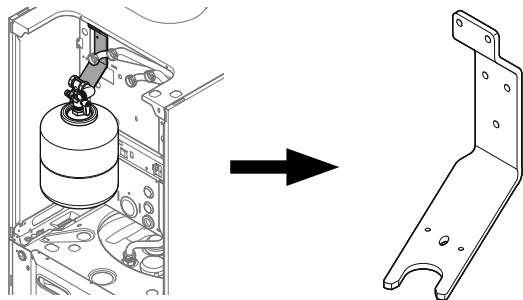
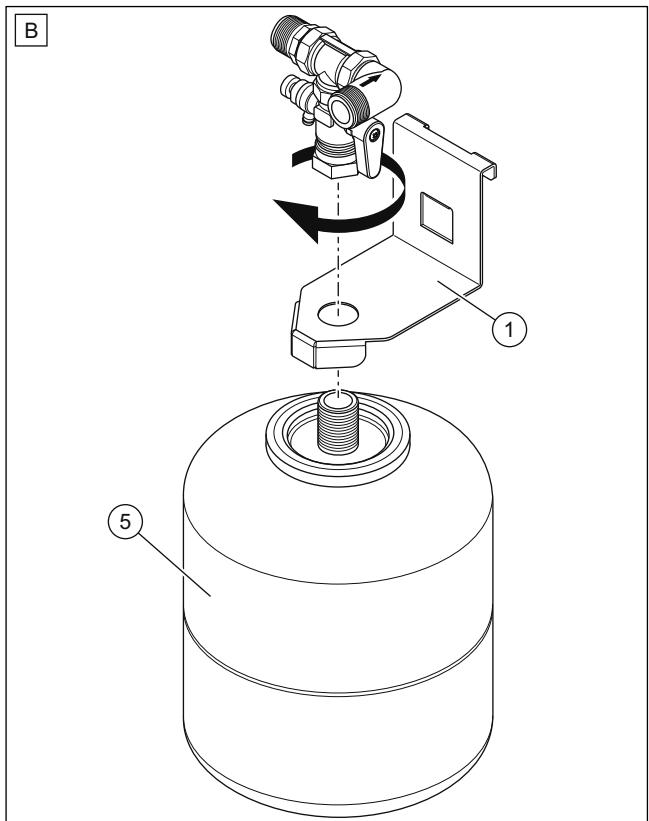
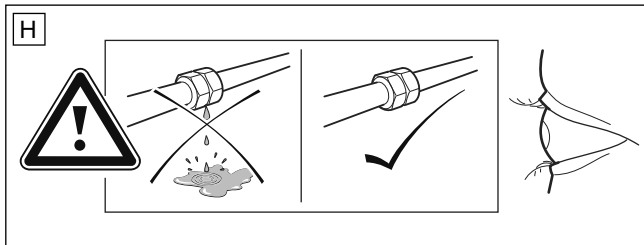
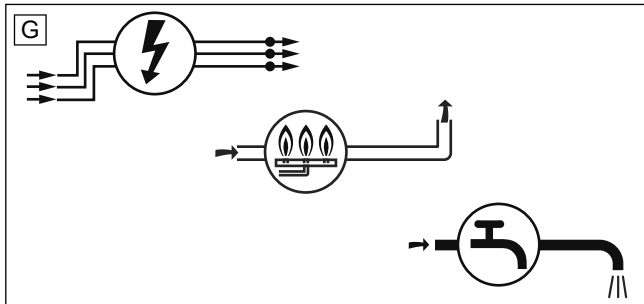
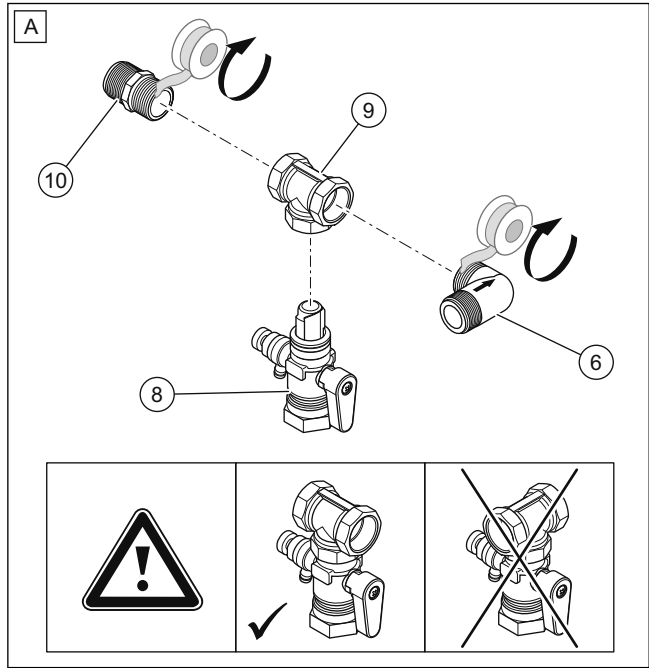
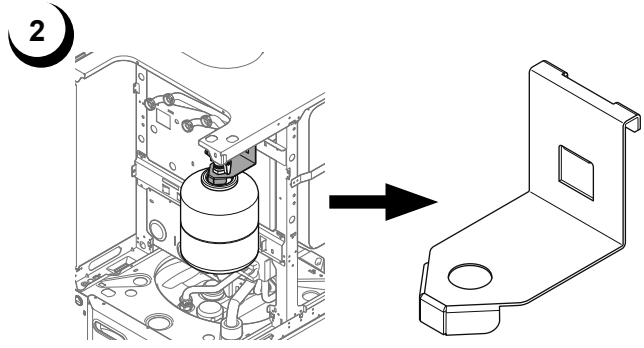
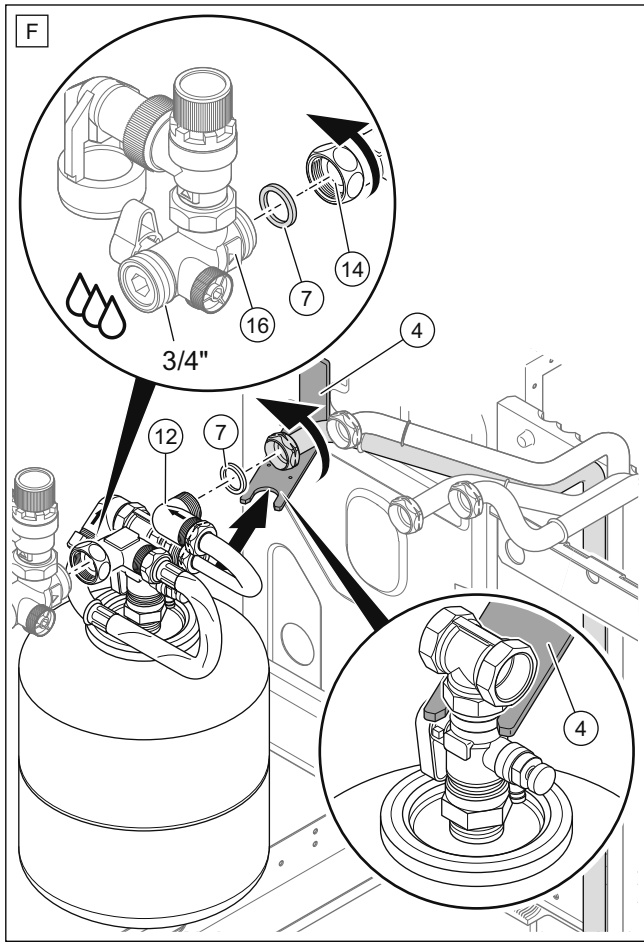


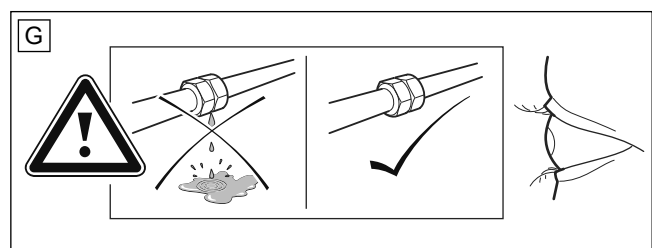
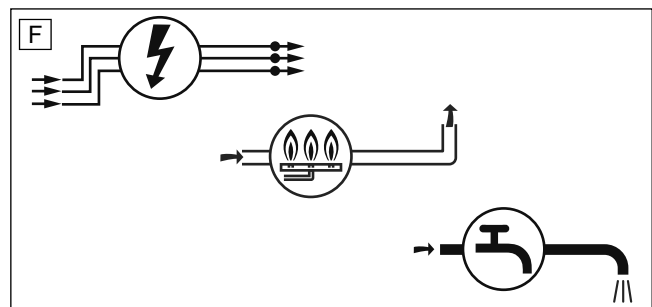
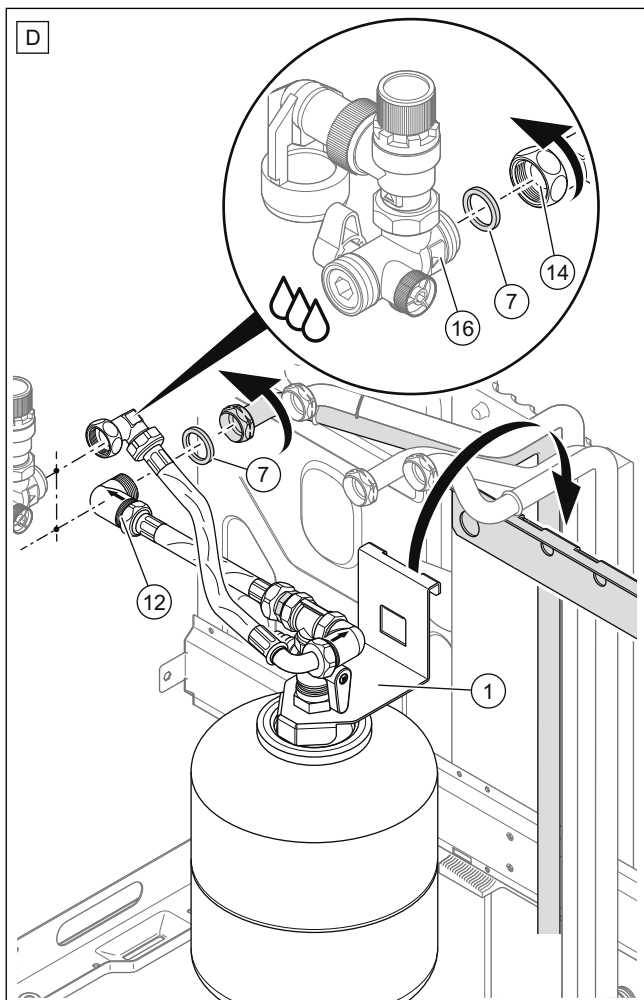
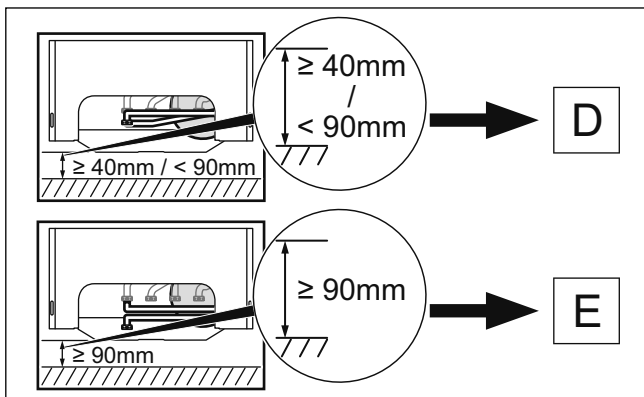
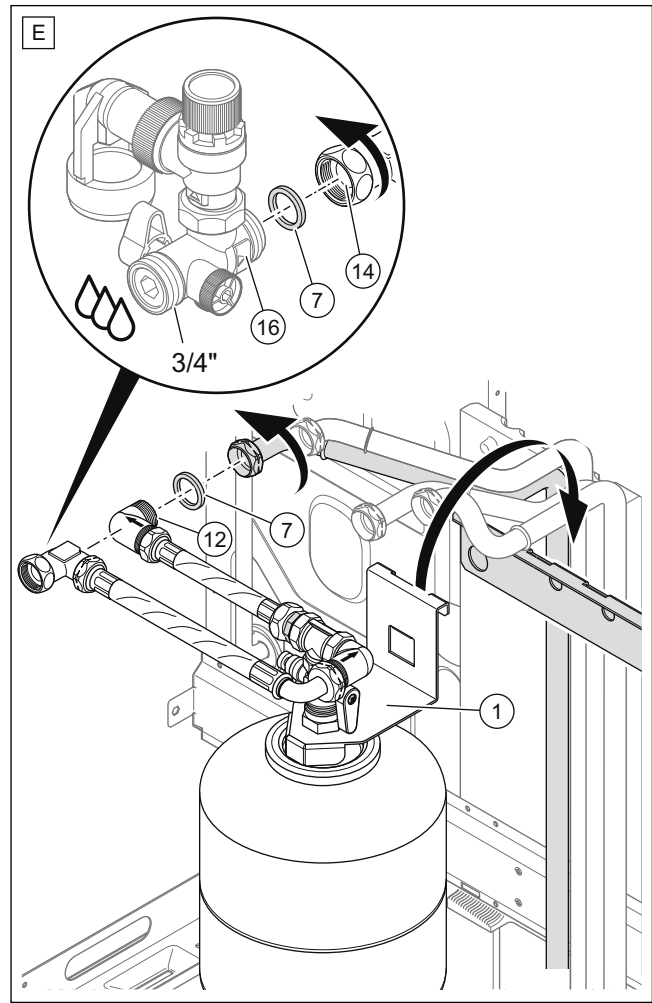
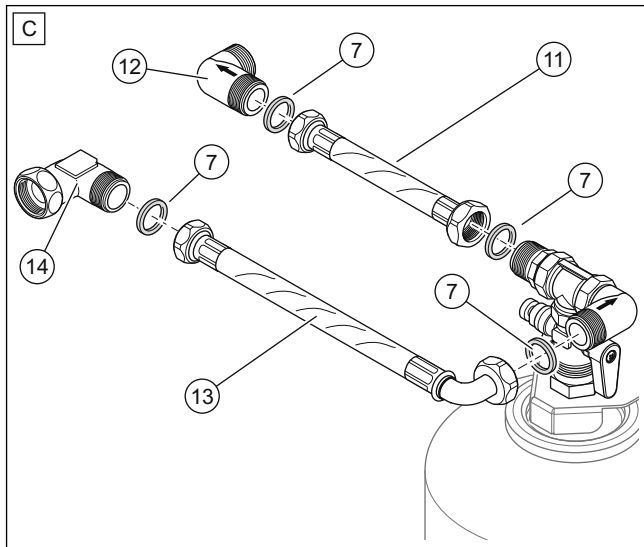
0020180979



1







0020180031_02 ■ 08/03/2018

Manufacturer

Vaillant GmbH
Berghauser Str. 40 ■ D-42859 Remscheid
Tel. +49 21 91 18-0 ■ Fax +49 21 91 18-28 10
www.vaillant.de ■ info@vaillant.de

© These instructions, or parts thereof, are protected by copyright and may be reproduced or distributed only with the manufacturer's written consent.

