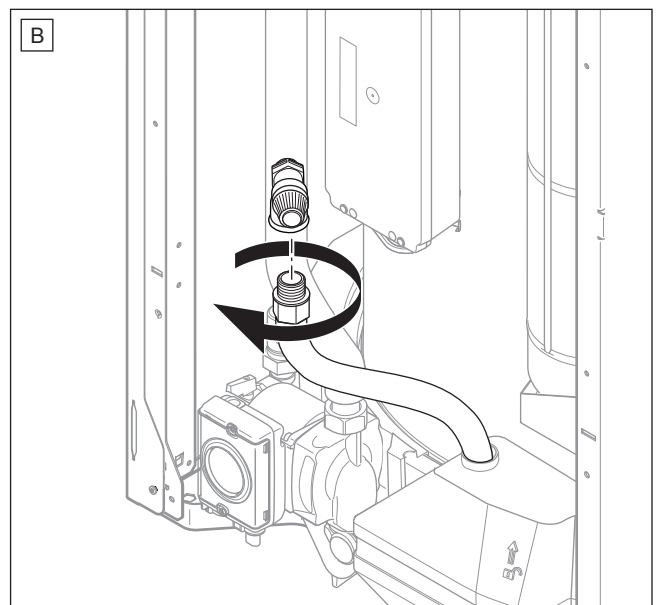
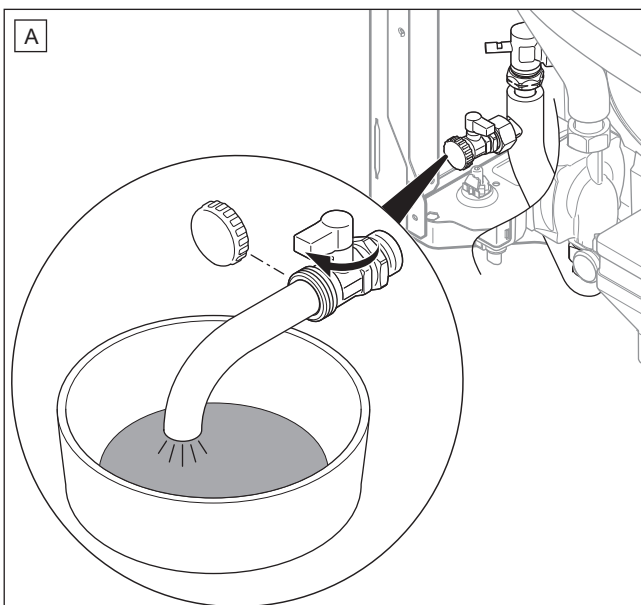
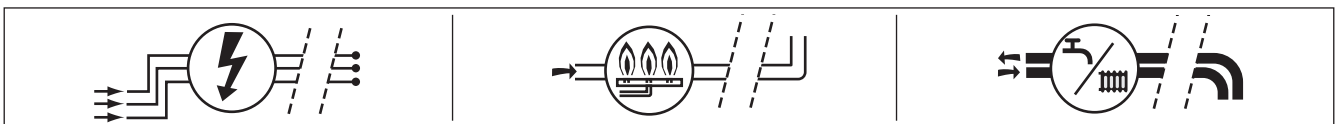
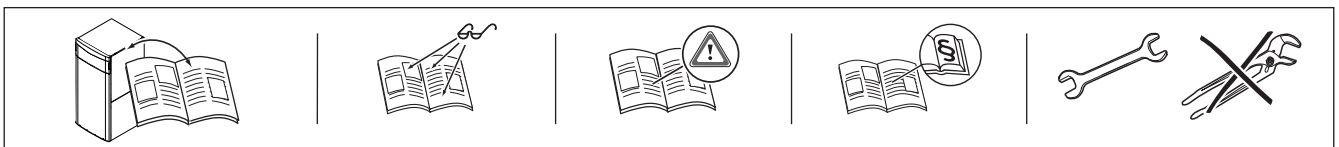
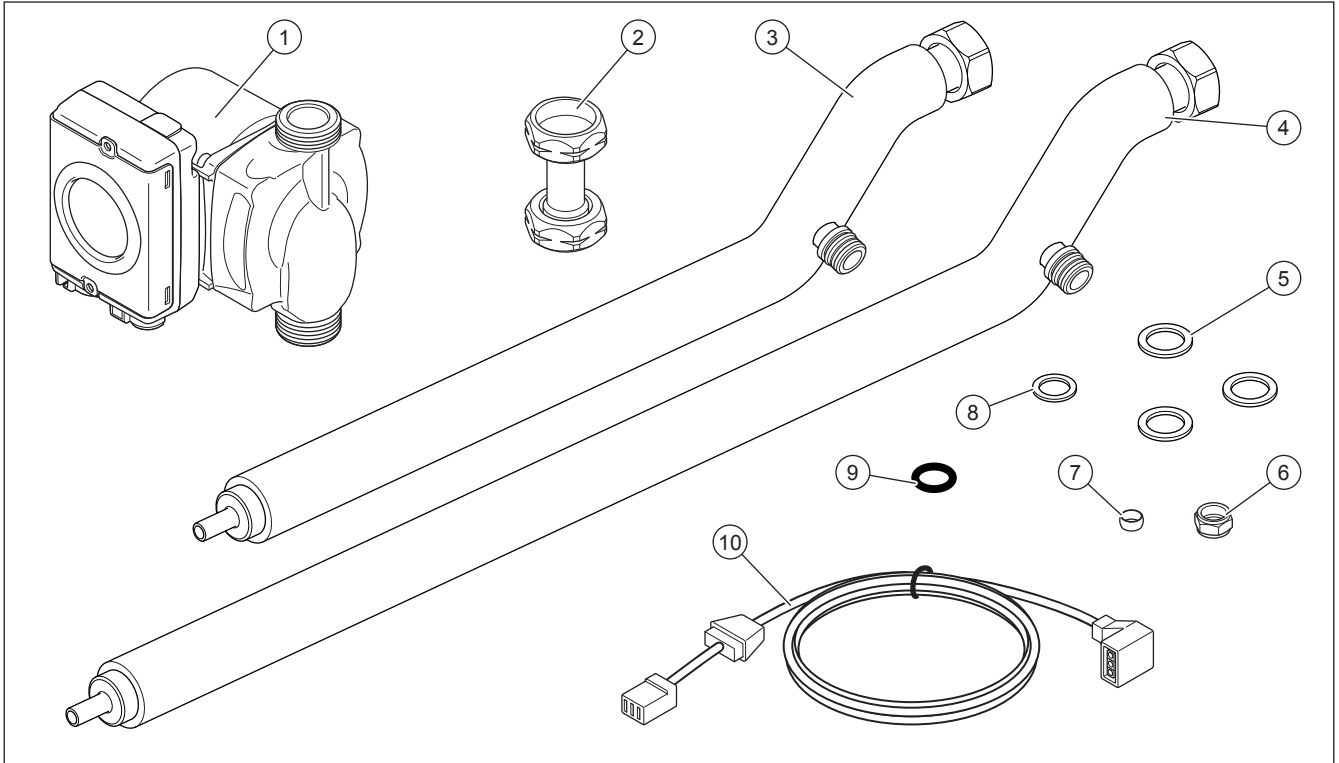
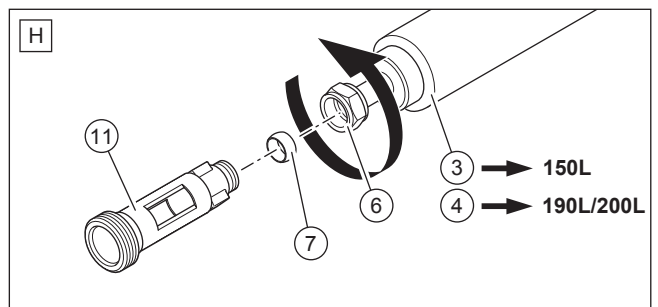
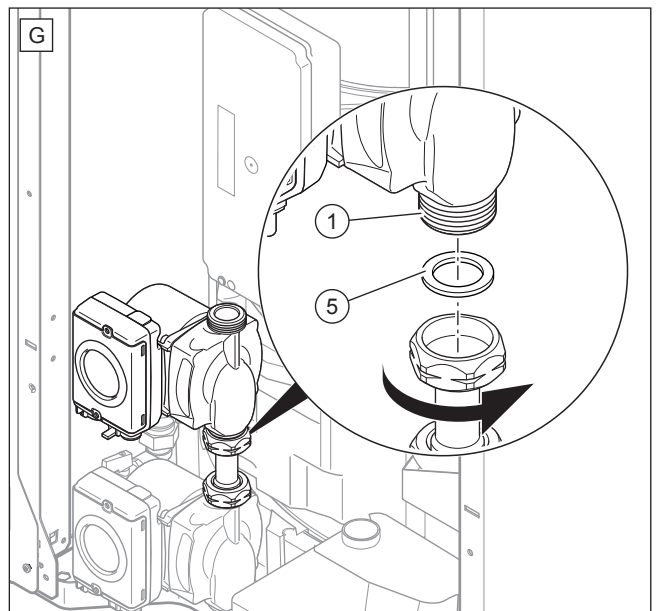
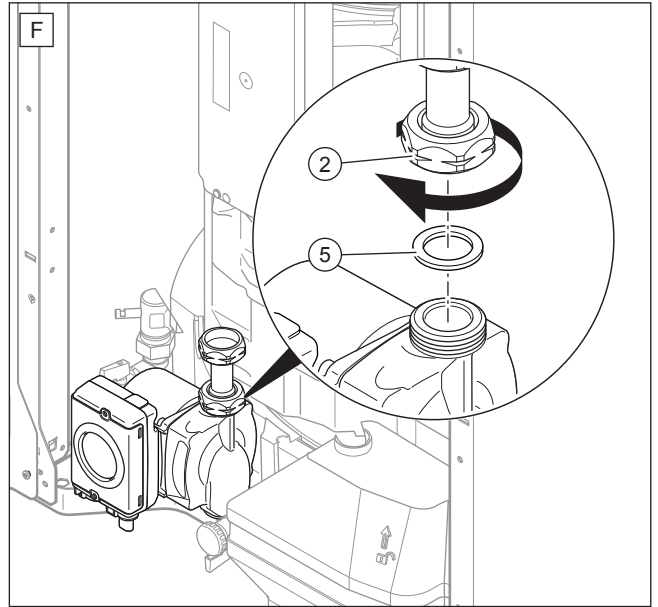
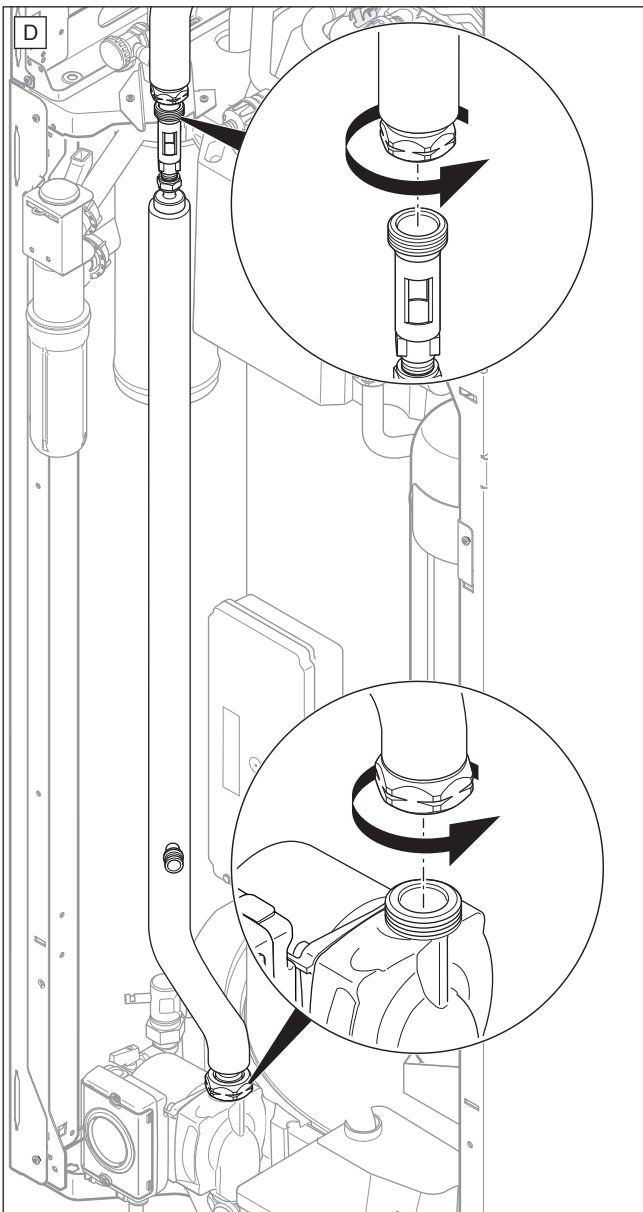
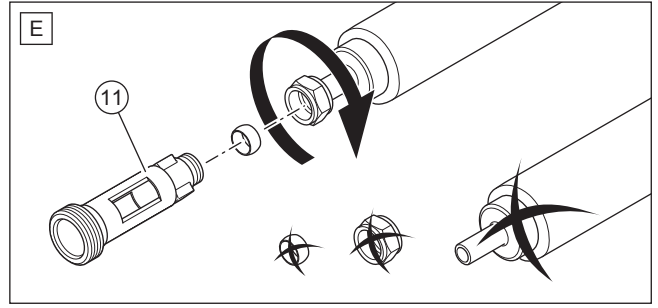
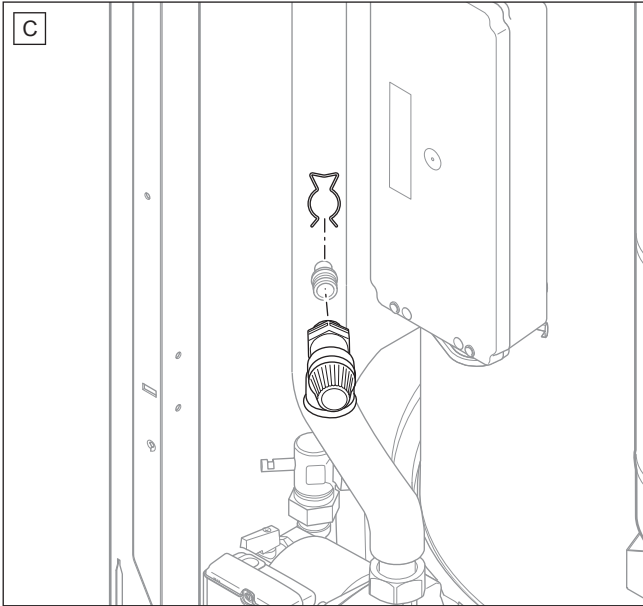
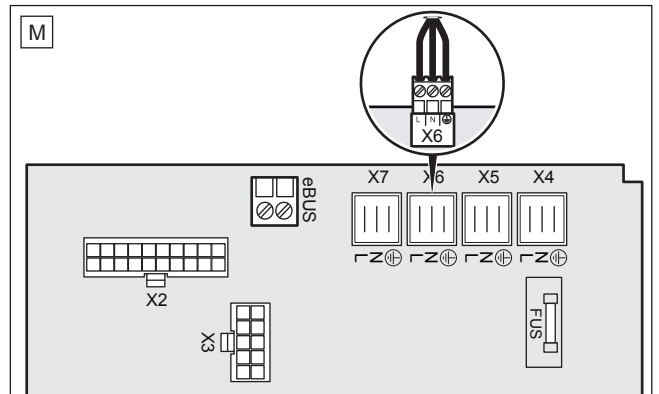
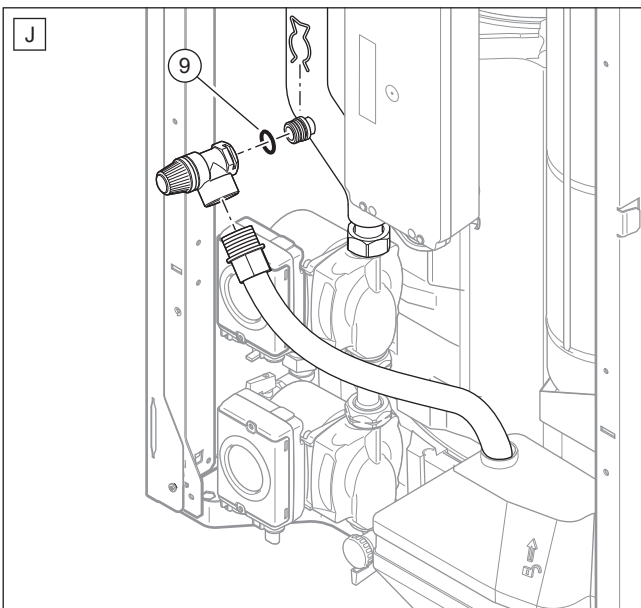
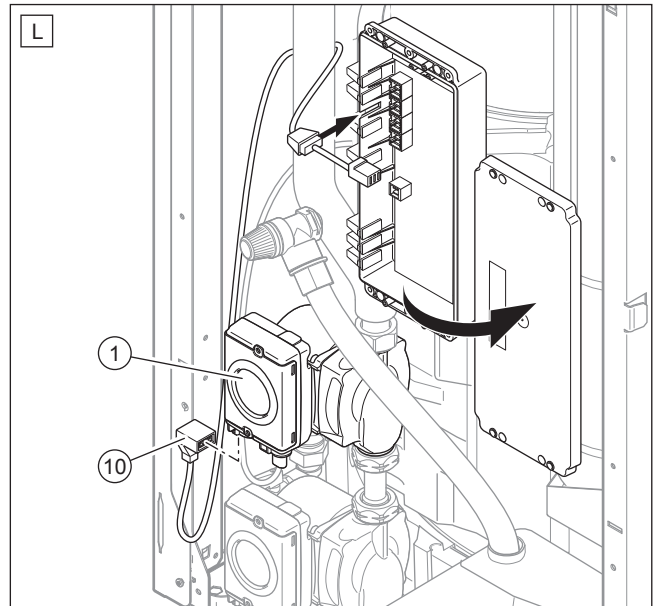
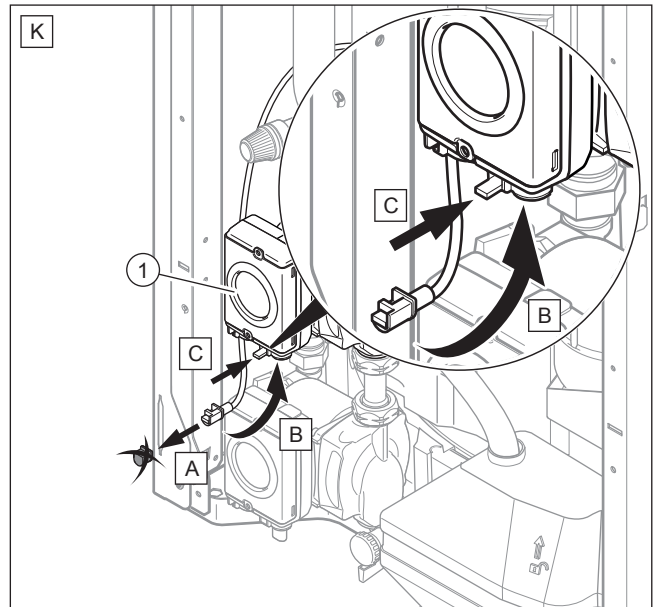
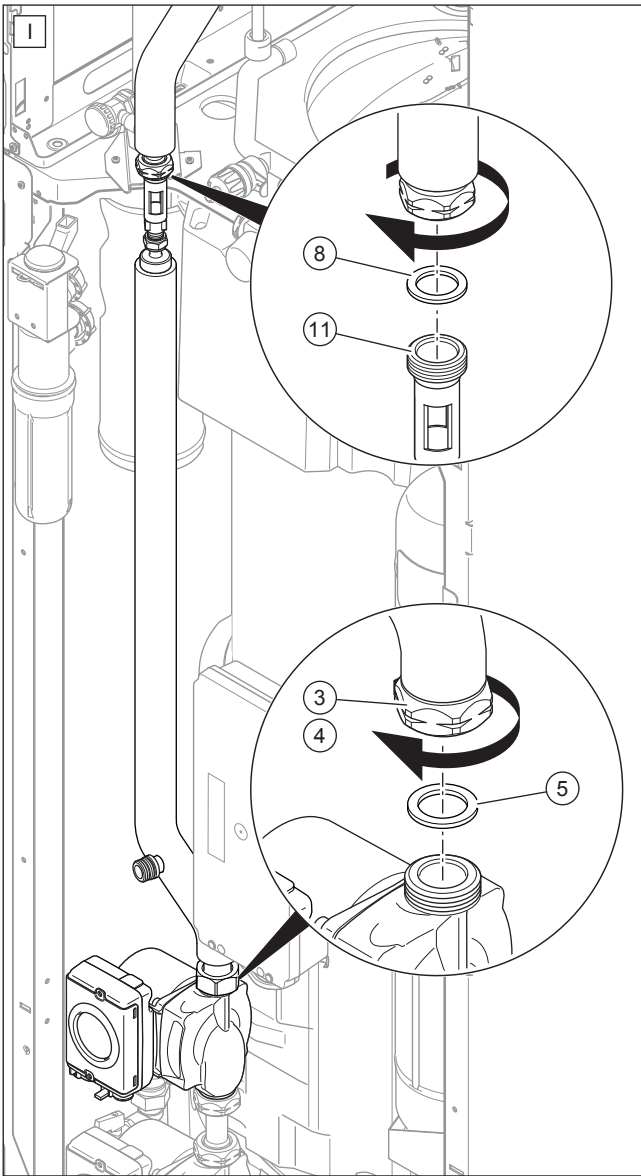
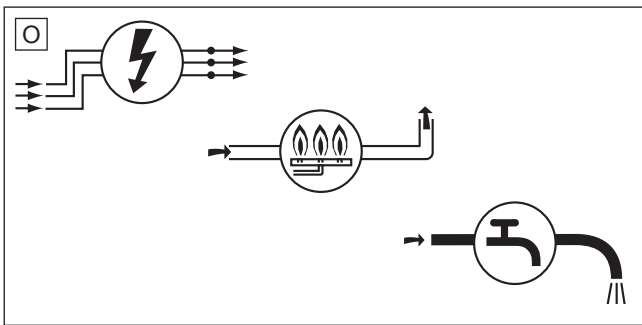
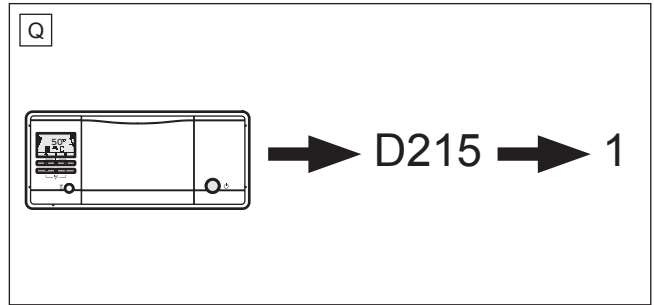
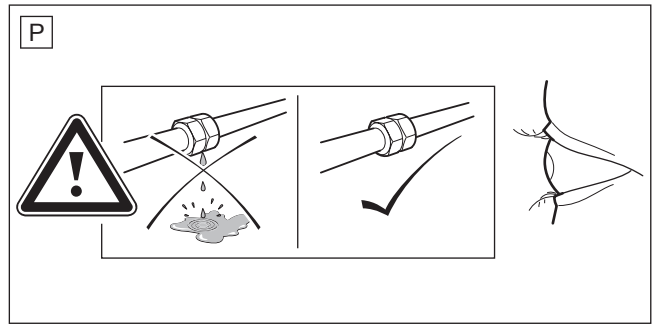
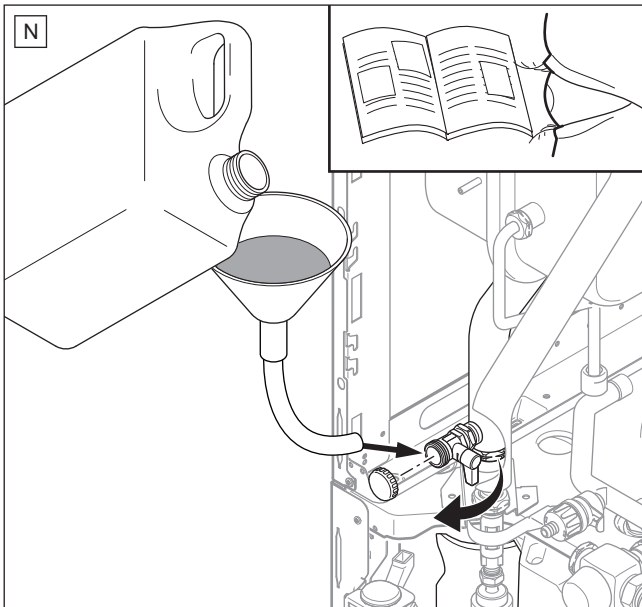


0020170506









0020186055_01 ■ 28/02/2014

Manufacturer

Vaillant GmbH

Berghauser Str.40 ■ D-42859 Remscheid
 Telefon 021 91 18-0 ■ Telefax 021 91 18-28 10
 info@vaillant.de ■ www.vaillant.de

© Vaillant GmbH 2013

These instructions, or parts thereof, are protected by copyright and may be reproduced or distributed only with the manufacturer's written consent.