

OPERATION AND INSTALLATION
UTILISATION ET INSTALLATION
BEDIENING EN INSTALLATIE
OBSLUHA A INSTALACE
OBSLUHA A INŠTALÁCIA
OBSŁUGA I INSTALACJA
OPERARE ŞI INSTALARE
KEZELÉS ÉS FELSZERELÉS
RUKOVANJE I INSTALACIJA
ЭКСПЛУАТАЦИЯ И УСТАНОВКА

Hydraulically controlled mini instantaneous water heater | Mini chauffe-eau instantané à gestion hydraulique | Hydraulisch gestuurde mini-doorstomer | Hydraulicky řízený průtokový mini ohříváč | Hydraulicky riadený mini prietokový ohrievač | Hydraulicznie sterowany mini przepływowy ogrzewacz wody | Mini-încălzitor instant controlat hidraulic | Hidraulikus működtetésű átfolyó rendszerű mini vízmelegítő | Hidraulički upravljani mini protočni grijač | Малогабаритный проточный нагреватель с гидравлическим управлением

- » EIL 3 Plus
- » EIL 4 Plus
- » EIL 6 Plus
- » EIL 7 Plus

STIEBEL ELTRON

CONTENTS

SPECIAL INFORMATION

OPERATION

1. General information	4
1.1 Safety instructions	4
1.2 Other symbols in this documentation	5
1.3 Units of measurement	5
2. Safety	6
2.1 Intended use	6
2.2 General safety instructions	6
2.3 Test symbols	6
3. Appliance description	7
4. Settings	7
5. Cleaning, care and maintenance	7
6. Troubleshooting	8

INSTALLATION

7. Safety	8
7.1 General safety instructions	8
7.2 Instructions, standards and regulations	9
8. Appliance description	9
8.1 Standard delivery	9
8.2 Accessories	9
9. Preparation	10
10. Installation	10
10.1 Installation site	10
10.2 Installation options	10

10.3 Making the electrical connection	13
11. Commissioning	13
11.1 Initial start-up	13
11.2 Appliance handover	14
11.3 Recommissioning	14
12. Appliance shutdown	14
13. Troubleshooting	14
14. Maintenance	15
14.1 Draining the appliance	15
14.2 Clean strainer	16
14.3 Tests in accordance with VDE 0701/0702	16
14.4 Appliance storage	16
14.5 Replacing the power cable for the EIL 6 Plus	16
15. Specification	17
15.1 Dimensions	17
15.2 Wiring diagram	17
15.3 Temperature increase	19
15.4 Application areas	19
15.5 Energy consumption data	20
15.6 Data table	21

GUARANTEE

ENVIRONMENT AND RECYCLING

SPECIAL INFORMATION

- The appliance may be used by children aged 3 and older and persons with reduced physical, sensory or mental capabilities or a lack of experience and know-how, provided that they are supervised or they have been instructed on how to use the appliance safely and have understood the potential risks. Children must never play with the appliance. Cleaning and user maintenance must not be carried out by children without supervision.
- During operation, the tap can reach temperatures in excess of 50 °C. There is a risk of scalding at outlet temperatures in excess of 43 °C.
- The appliance is not suitable for supplying a shower (shower operation).
- Ensure the appliance can be separated from the power supply by an isolator that disconnects all poles with at least 3 mm contact separation.
- The specified voltage must match the mains voltage.
- The appliance must be permanently connected to fixed wiring, exception EIL 3 Plus.
- The power cable must only be replaced (for example if damaged) by a qualified contractor authorised by the manufacturer, using an original spare part.
- Secure the appliance as described in chapter "Installation / Installation".
- Observe the maximum permissible pressure (see chapter "Specification / Data table").

General information

- The specific water resistivity of the mains water supply must not be undershot (see chapter "Installation / Specification / Data table").
- Drain the appliance as described in chapter "Installation / Maintenance / Draining the appliance".

OPERATION

1. General information

The chapter "Operation" is intended for appliance users and qualified contractors.

The chapter "Installation" is intended for qualified contractors.



Note

Read these instructions carefully before using the appliance and retain them for future reference.

Pass on the instructions to a new user if required.

1.1 Safety instructions

1.1.1 Structure of safety instructions



KEYWORD Type of risk




Here, possible consequences are listed that may result from failure to observe the safety instructions.

► Steps to prevent the risk are listed.

OPERATION

General information

1.1.2 Symbols, type of risk

Symbol	Type of risk
	Injury
	Electrocution
	Burns (burns, scalding)

1.1.3 Keywords

KEYWORD	Meaning
DANGER	Failure to observe this information will result in serious injury or death.
WARNING	Failure to observe this information may result in serious injury or death.
CAUTION	Failure to observe this information may result in non-serious or minor injury.

1.2 Other symbols in this documentation



Note

Notes are bordered by horizontal lines above and below the text. General information is identified by the adjacent symbol.

► Read these texts carefully.

Symbol



Material losses

(appliance damage, consequential losses and environmental pollution)



Appliance disposal

► This symbol indicates that you have to do something. The action you need to take is described step by step.

1.3 Units of measurement



Note

Unless specified otherwise, all dimensions are given in mm.

OPERATION

Safety

2. Safety

2.1 Intended use

The appliance is intended for domestic use. It can be used safely by untrained persons. The appliance can also be used in non-domestic environments, e.g. in small businesses, as long as it is used in the same way.

This appliance is designed to heat DHW. The appliance is designed for one hand washbasin.

Any other use beyond that described shall be deemed inappropriate. Observation of these instructions and of the instructions for any accessories used is also part of the correct use of this appliance.

2.2 General safety instructions



DANGER Scalding

During operation, the tap can reach temperatures in excess of 50 °C. There is a risk of scalding at outlet temperatures in excess of 43 °C.



WARNING Injury

The appliance may be used by children aged 3 and older and persons with reduced physical, sensory or mental capabilities or a lack of experience and know-how, provided that they are supervised or they have been instructed on how to use the appliance safely and have understood the potential risks. Children must never play with the appliance. Cleaning and user maintenance must not be carried out by children without supervision.



DANGER Electrocutation

Any damaged power cables must be replaced by a qualified electrician. This prevents potential hazards from arising.



Material losses

Protect the appliance and tap against frost.



Material losses

Only use the special aerator provided. Prevent scale build-up at the tap outlets (see chapter "Cleaning, care and maintenance").

2.3 Test symbols

See type plate on the appliance.

3. Appliance description

The hydraulically controlled mini instantaneous water heater heats the water directly at the draw-off point. The heating system starts automatically when the tap is opened. The short pipe runs ensure that energy and water losses are minimal.

The DHW output depends on the cold water temperature, the heating output and the flow rate.

The bare wire heating system is suitable for hard and soft water areas. This heating system has a low susceptibility to scale build-up. The heating system ensures quick and efficient DHW provision at the hand washbasin.

Fitting the special aerator supplied provides an optimum water jet.

4. Settings

The appliance heating system switches on automatically as soon as you open the DHW valve at the tap or activate the sensor of a sensor tap. The water is heated. The water temperature can be adjusted at the tap:

For the starting flow rate, see chapter "Specification / Data table / On".

Increasing the temperature

- ▶ Reduce the flow rate at the tap.

Reducing the temperature

- ▶ Open the tap further or add more cold water.

Following an interruption to the water supply

See chapter "Commissioning / Recommissioning".

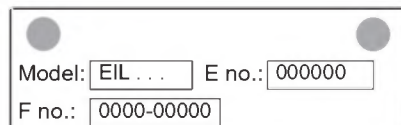
5. Cleaning, care and maintenance

- ▶ Never use abrasive or corrosive cleaning agents. A damp cloth is sufficient for cleaning the appliance.
- ▶ Check the taps regularly. Limescale deposits at the tap outlets can be removed using commercially available descaling agents.
- ▶ Have the electrical safety of the appliance regularly checked by a qualified contractor.
- ▶ Regularly descale or replace the special aerator (see chapter "Appliance description / Accessories").

6. Troubleshooting

Problem	Cause	Remedy
The appliance will not start despite the DHW valve being fully open.	No power at the appliance.	Check the fuse/MCB in your fuse box/distribution board.
	The aerator in the tap is scaled up or dirty.	Clean and/or descale the aerator or replace the special aerator.
	The water supply has been interrupted.	Vent the appliance and the cold water inlet line (see chapter "Settings").

If you cannot remedy the fault, notify your qualified contractor. To facilitate and speed up your request, provide the number from the type plate (000000-0000-00000).



Model: E no.:
F no.:

INSTALLATION

7. Safety

Only a qualified contractor should carry out installation, commissioning, maintenance and repair of the appliance.

7.1 General safety instructions

We guarantee trouble-free function and operational reliability only if original accessories and spare parts intended for the appliance are used.



Material losses

Observe the max. permissible inlet temperature. Higher temperatures may damage the appliance. You can limit the inlet temperature by installing a central thermostatic valve.

7.2 Instructions, standards and regulations



Note

Observe all applicable national and regional regulations and instructions.

The specific electrical resistance of the water used must not fall below that stated on the type plate. In a linked water network, factor in the lowest electrical resistance of the water (see chapter "Specification / Data table"). Your water supply utility will advise you of the electrical resistivity or conductivity of the water in your area.

8. Appliance description

8.1 Standard delivery

The following are delivered with the appliance:

- Sieve inside the cold water inlet
- Special aerator
- Connection hose 3/8, 500 mm long, with gaskets*
- Tee 3/8*

*for the connection as pressure-tested appliance

8.2 Accessories

Special aerator



Note

Fitting the special aerator supplied provides an optimum water jet.

Taps/valves

- ▶ Use suitable taps.

Pressure-tested taps

Suitable pressure-tested taps are available from specialist trade shops.

Non-pressurised taps

- MAW (OT) - Non-pressurised wall mounted tap
- MAZ (UT) - Non-pressurised twin lever basin tap
- MAE (UTE) - Non-pressurised mono lever basin tap

INSTALLATION

Preparation

9. Preparation

- ▶ Flush the water line thoroughly.

Water installation

No safety valve is required.

10. Installation

10.1 Installation site

Install the appliance in a room free from the risk of frost and near the draw-off tap.

Ensure that the lateral fixing screws for the cover are always accessible.

The appliance is only suitable for undersink installation (water connections at the top).

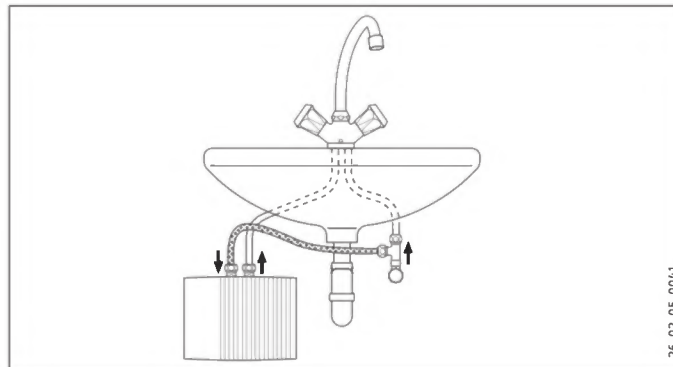


DANGER Electrocutation
Protection rating IP 25 is only ensured if the appliance back panel is fitted.

- ▶ Always fit the appliance back panel.

10.2 Installation options

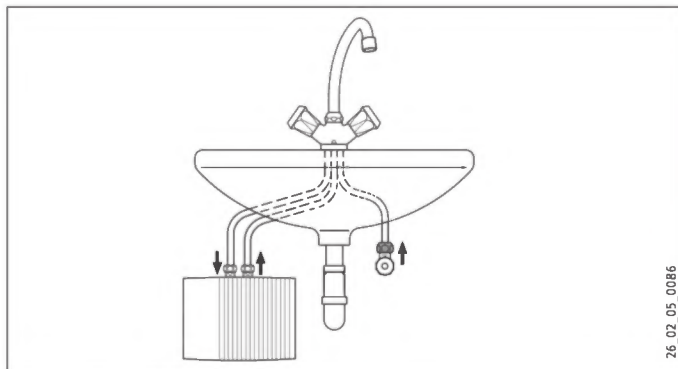
Undersink installation, pressure-tested, with pressure-tested tap



INSTALLATION

Installation

Undersink installation, non-pressurised, with non-pressurised tap



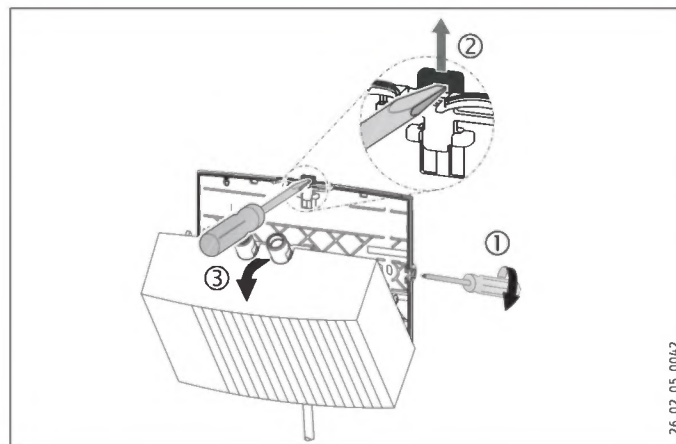
10.2.1 Appliance installation

- ▶ Mount the appliance on the wall.



Note

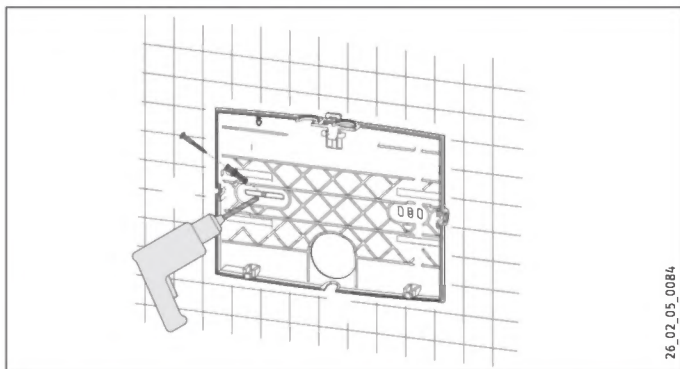
The wall must have sufficient load bearing capacity.



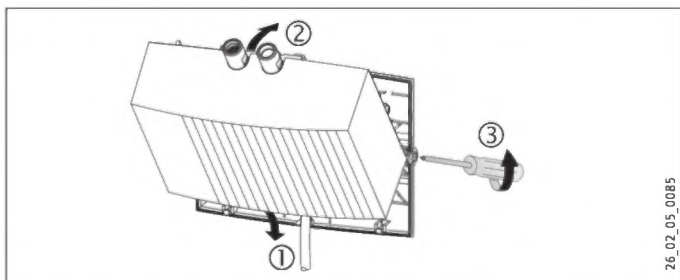
- ▶ Undo the cover fixing screws by two turns.
- ▶ Undo the snap fastener using a screwdriver.
- ▶ Remove the appliance cover with the heater towards the front.
- ▶ Using pliers, break out the knock-out for the power cable in the appliance cover. Correct the contours with a file if necessary.

INSTALLATION

Installation



- ▶ Use the appliance back panel as a drilling template.
- ▶ Secure the appliance back panel to the wall with suitable rawl plugs and screws.



- ▶ Route the power cable through the cable entry in the back panel.
- ▶ Hook in the appliance cover with the heater at the bottom.
- ▶ Click the heater into place using the snap fastener.
- ▶ Secure the appliance cover with the cover fixing screws.

10.2.2 Tap installation



Material losses

When making the connections, counter the torque on the appliance using a size 14 spanner.

Pressurised connection

- ▶ Fit the 3/8 connection hose and the 3/8 tee provided.
- ▶ Install the tap. For this, also observe the tap operating and installation instructions.

Non-pressurised connection

- ▶ Install the tap. For this, also observe the tap operating and installation instructions.

10.3 Making the electrical connection



DANGER Electrocutation

Carry out all electrical connection and installation work in accordance with relevant regulations.



DANGER Electrocutation

Ensure that the appliance is earthed.

Ensure the appliance can be separated from the power supply by an isolator that disconnects all poles with at least 3 mm contact separation.



DANGER Electrocutation

The appliances are delivered with a power cable (EIL 3 Plus with plug).

Connection to a permanent power supply is possible, provided the fixed cable has a cross-section that is at least equal to that of the standard power cable of the appliance. A maximum cross-section of 3 x 6 mm² may be used.



Material losses

When making the connection to a standard safety socket (in the case of a power cable with plug), ensure that the socket is freely accessible after the appliance has been installed.



Material losses

Observe the type plate. The specified voltage must match the mains voltage.

- ▶ Connect the power cable as shown in the wiring diagram (see chapter "Specification / Wiring diagram").

11. Commissioning

11.1 Initial start-up



- ▶ Fill the appliance by running the tap several times until the pipework and appliance are free of air.
- ▶ Carry out a tightness check.
- ▶ Insert the power cable plug, if present, into the standard safety socket or set the fuse/MCB.
- ▶ Check the appliance function.

Appliance shutdown

11.2 Appliance handover

- ▶ Explain the appliance function to users and familiarise them with how it works.
- ▶ Make the user aware of potential dangers, especially the risk of scalding.
- ▶ Hand over these instructions.

11.3 Recommissioning



Material losses

Following an interruption of the water supply, recommission the appliance by carrying out the following steps, in order to prevent irreparable damage to the bare wire heating system.

- ▶ Isolate the appliance from the power supply. Pull the power cable plug, if present, from the socket, or remove the fuse/ reset the MCB.
- ▶ See chapter "Initial start-up".

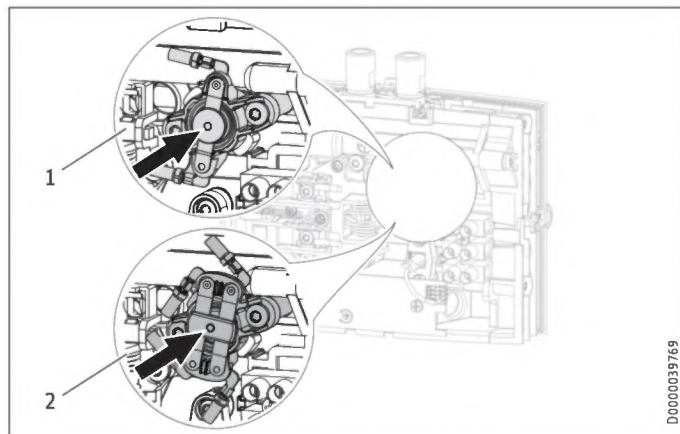
12. Appliance shutdown

- ▶ Isolate the appliance from the power supply by means of the fuse/MCB in your fuse box or by pulling the power cable plug from the socket.
- ▶ Drain the appliance (see chapter "Maintenance").

13. Troubleshooting

Problem	Cause	Remedy
The appliance will not start despite the DHW valve being fully open.	The aerator in the tap is scaled up or dirty.	Clean and/or descale the aerator or replace the special aerator.
	The sieve in the cold water line is blocked.	Clean the sieve after shutting off the cold water inlet line.
	The heating system is faulty.	Check the resistance of the heating system and replace the appliance if required.
	The safety pressure limiter has responded.	Remedy the cause of the fault. Isolate the appliance from the power supply and depressurise the water line. Activate the safety pressure limiter.

Activating the safety pressure limiter



- 1 1-pole safety pressure limiter EIL 4 Plus / EIL 6 Plus
- 2 2-pole safety pressure limiter EIL 3 Plus / EIL 7 Plus

14. Maintenance



DANGER Electrocution
Before any work on the appliance, disconnect all poles from the power supply.

14.1 Draining the appliance



DANGER Scalding
Hot water may escape during draining.

If the appliance needs to be drained for maintenance or to protect the whole installation when there is a risk of frost, proceed as follows:

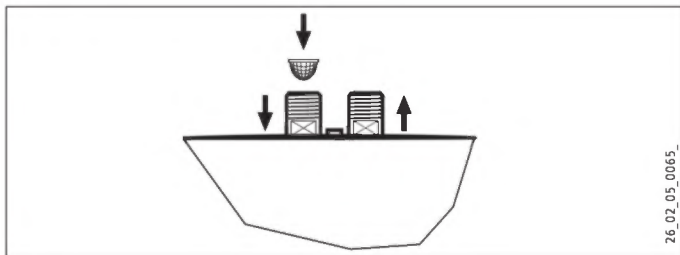
- ▶ Close the shut-off valve in the cold water inlet line.
- ▶ Open the draw-off valve.
- ▶ Undo the water connections on the appliance.

INSTALLATION

Maintenance

14.2 Clean strainer

You can clean the fitted strainer after removing the cold water supply pipe.



14.3 Tests in accordance with VDE 0701/0702

Earth conductor check

- ▶ Check the earth conductor (in Germany e.g. DGUV A3) on the earth conductor contact of the power cable and on the appliance connector.

Insulation resistance

- ▶ If an appliance with a rated heating output of > 3.5 kW does not achieve an insulation resistance of 300 k Ω , we recommend that the insulating properties of the appliance are checked by conducting a differential current test of the earth conductor current / leakage current to VDE 0701/0702 (Fig. C.3b).

14.4 Appliance storage

- ▶ Store the dismantled appliance free from the risk of frost, as water residues remaining inside the appliance can freeze and cause damage.

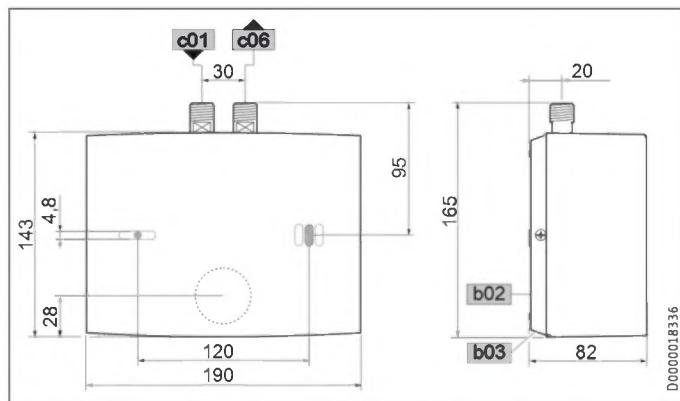
14.5 Replacing the power cable for the EIL 6 Plus

- ▶ If replacing the cable for the EIL 6 Plus, use a power cable with 4 mm² cross-section.

INSTALLATION Specification

15. Specification

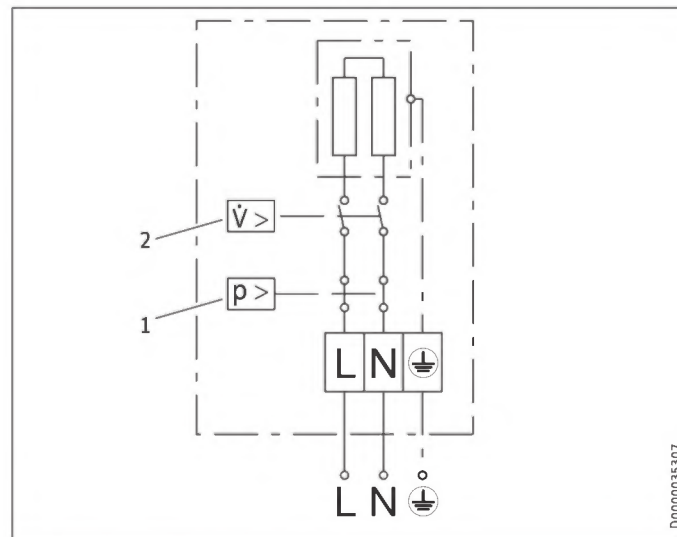
15.1 Dimensions



b02	Entry for electrical cables I		
b03	Entry electrical cables II		
c01	Cold water inlet	Male thread	G 3/8 A
c06	DHW outlet	Male thread	G 3/8 A

15.2 Wiring diagram

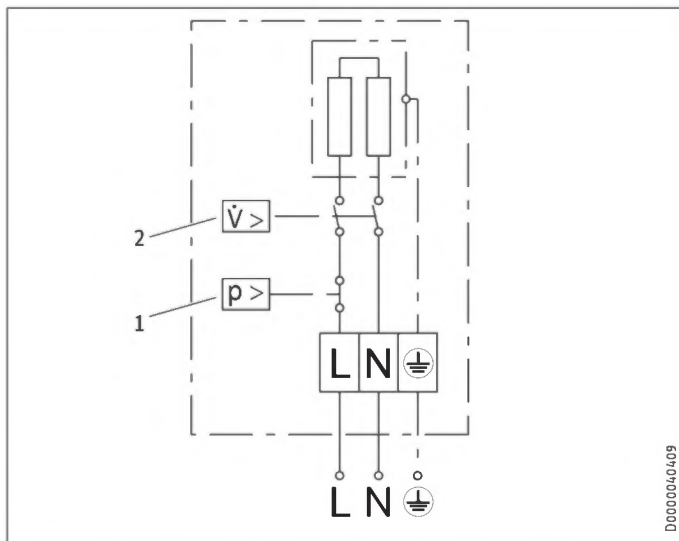
15.2.1 EIL 3 Plus 1/N/PE ~ 200-240 V



- 1 Safety pressure limiter
- 2 Pressure differential switch

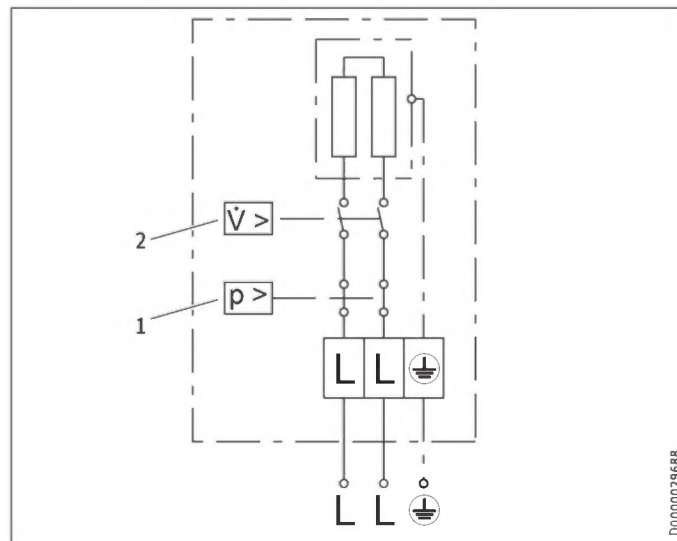
INSTALLATION Specification

15.2.2 EIL 4 Plus | EIL 6 Plus 1/N/PE ~ 200-240 V



- 1 Safety pressure limiter
- 2 Pressure differential switch

15.2.3 EIL 7 Plus 2/PE ~ 380-415 V



- 1 Safety pressure limiter
- 2 Pressure differential switch



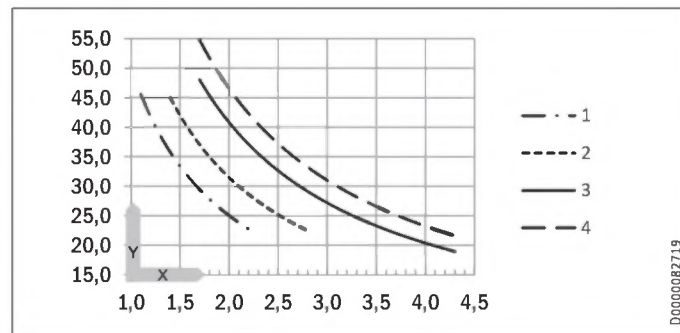
Material losses

- ▶ In the case of a permanent power supply, connect the power cable according to the designations on the socket terminals.

INSTALLATION Specification

15.3 Temperature increase

At 230 V / 400 V, the following water temperature increases occur:



- X Flow rate in l/min
 Y Temperature increase in K
- 1 3.5 kW - 230 V
 - 2 4.4 kW - 230 V
 - 3 5.7 kW - 230 V
 - 4 6.5 kW - 400 V

Example EIL 3 Plus with 3.5 kW

Flow rate	l/min	2.0
Temperature increase	K	25
Cold water supply temperature	°C	12
Maximum possible outlet temperature	°C	37

15.4 Application areas

For the specific electrical resistance and specific electrical conductivity, see "Data table".

Standard specification at 15 °C			20 °C			25 °C		
Spec. Resistivity $\rho \geq$	Spec. Conductivity $\sigma \leq$	Unit	Spec. Resistivity $\rho \geq$	Spec. Conductivity $\sigma \leq$	Unit	Spec. Resistivity $\rho \geq$	Spec. Conductivity $\sigma \leq$	Unit
Ωcm	mS/m	$\mu\text{S/cm}$	Ωcm	mS/m	$\mu\text{S/cm}$	Ωcm	mS/m	$\mu\text{S/cm}$
1100	91	909	970	103	1031	895	112	1117

INSTALLATION Specification

15.5 Energy consumption data

Product datasheet: Conventional water heaters to regulation (EU) no. 812/2013 and 814/2013 / (S.I. 2019 No. 539 / Schedule 2)

		EIL 3 Plus	EIL 4 Plus	EIL 6 Plus	EIL 7 Plus
		200138	200139	200140	200141
Manufacturer		STIEBEL ELTRON	STIEBEL ELTRON	STIEBEL ELTRON	STIEBEL ELTRON
Load profile		XXS	XXS	XXS	XS
Energy efficiency class		A	A	A	A
Energy conversion efficiency	%	39	38	39	40
Annual power consumption	kWh	478	478	478	466
Sound power level	dB(A)	15	15	15	15
Special information on measuring efficiency		None	None	None	None
Daily power consumption	kWh	2.200	2.200	2.200	2.130

INSTALLATION Specification

15.6 Data table

		EIL 3 Plus				EIL 4 Plus				EIL 6 Plus				EIL 7 Plus		
		200138				200139				200140				200141		
Electrical data																
Rated voltage	V	200	220	230	240	200	220	230	240	200	220	230	240	380	400	415
Rated output	kW	2.7	3.2	3.53	3.8	3.3	4.0	4.4	4.8	4.3	5.2	5.7	6.2	5.9	6.5	7.0
Rated current	A	13.3	14.5	15.2	15.8	16.7	18.2	19.1	20	21.6	23.6	24.7	25.8	15.5	16.3	16.9
Fuse protection	A	16				20				25	25	25	32	16	20	20
Frequency	Hz	50/60				50/60				50/60				50/60	50/60	50/-
Phases		1/N/PE				1/N/PE				1/N/PE				2/PE		
Specific resistance $\rho_{15} \geq$	Ω cm	1100				1100				1100				1100		
Specific conductivity $\sigma_{15} \leq$	μ S/cm	909				909				909				909		
Max. mains impedance at 50 Hz	Ω									0.394	0.377	0.361				
Connections																
Water connection		G 3/8 A				G 3/8 A				G 3/8 A				G 3/8 A		
Application limits																
Max. permissible pressure	MPa	1				1				1				1		
Values																
Max. permissible inlet temperature	$^{\circ}$ C	35				35				35				35		
On	l/min	> 1.6				> 2.0				> 2.6				> 2.6		
Pressure drop at flow rate	MPa	0.05				0.06				0.08				0.08		
Flow rate for pressure drop	l/min	1.6				2.0				2.6				2.6		
Flow rate limit at	l/min	2.2				2.8				4.3				4.3		
DHW delivery	l/min	2.0				2.5				3.2				3.7		
$\Delta\theta$ on delivery	K	25				25				25				25		
Hydraulic data																
Nominal capacity	l	0.1				0.1				0.1				0.1		

INSTALLATION Specification

Versions		EIL 3 Plus	EIL 4 Plus	EIL 6 Plus	EIL 7 Plus
Undersink installation		X	X	X	X
Open vented type		X	X	X	X
Sealed unvented type		X	X	X	X
Protection class		1	1	1	1
Insulating block		Plastic	Plastic	Plastic	Plastic
Heating system heat generator		Bare wire	Bare wire	Bare wire	Bare wire
Cover and back panel		Plastic	Plastic	Plastic	Plastic
Colour		White	White	White	White
IP rating		IP 25	IP 25	IP 25	IP 25
Dimensions					
Height	mm	143	143	143	143
Width	mm	190	190	190	190
Depth	mm	82	82	82	82
Length of connecting cable	mm	700	700	700	700
Weights					
Weight	kg	1.4	1.4	1.4	1.4



Note

The appliance conforms to IEC 61000-3-12.

Guarantee

The guarantee conditions of our German companies do not apply to appliances acquired outside of Germany. In countries where our subsidiaries sell our products a guarantee can only be issued by those subsidiaries. Such guarantee is only granted if the subsidiary has issued its own terms of guarantee. No other guarantee will be granted.

We shall not provide any guarantee for appliances acquired in countries where we have no subsidiary to sell our products. This will not affect warranties issued by any importers.

Environment and recycling

We would ask you to help protect the environment. After use, dispose of the various materials in accordance with national regulations.

TABLE DES MATIÈRES

REMARQUES PARTICULIÈRES

UTILISATION

1. Remarques générales	26
1.1 Consignes de sécurité	26
1.2 Autres pictogrammes utilisés dans cette documentation	27
1.3 Unités de mesure	27
2. Sécurité	28
2.1 Utilisation conforme	28
2.2 Consignes de sécurité générales	28
2.3 Label de conformité	28
3. Description de l'appareil	29
4. Configuration	29
5. Nettoyage, entretien et maintenance	29
6. Dépannage	30

INSTALLATION

7. Sécurité	30
7.1 Consignes de sécurité générales	30
7.2 Prescriptions, normes et réglementations	31
8. Description de l'appareil	31
8.1 Fourniture	31
8.2 Accessoires	31
9. Travaux préparatoires	32
10. Montage	32
10.1 Lieu d'installation	32
10.2 Variantes de pose	32

10.3 Réalisation du raccordement électrique	35
11. Mise en service	35
11.1 Première mise en service	35
11.2 Remise de l'appareil au client	36
11.3 Remise en marche	36
12. Mise hors service	36
13. Aide au dépannage	36
14. Maintenance	37
14.1 Vidange de l'appareil	37
14.2 Nettoyage du filtre	38
14.3 Contrôles selon VDE 0701/0702	38
14.4 Stockage de l'appareil	38
14.5 Remplacement du câble d'alimentation électrique sur le EIL 6 Plus	38
15. Caractéristiques techniques	39
15.1 Cotes	39
15.2 Schéma électrique	39
15.3 Augmentation de la température	41
15.4 Plages d'utilisation	41
15.5 Indications relatives à la consommation énergétique	42
15.6 Tableau des données	43

GARANTIE

PROTECTION DE L'ENVIRONNEMENT ET RECYCLAGE

REMARQUES PARTICULIÈRES

- L'appareil peut être utilisé par des enfants de 3 ans et plus, ainsi que par des personnes aux facultés physiques, sensorielles ou mentales réduites, ou par des personnes sans expérience, s'ils sont sous surveillance ou qu'ils ont été formés à l'utilisation en toute sécurité de l'appareil, et s'ils ont compris les dangers encourus. Ne laissez pas les enfants jouer avec l'appareil. Ne confiez pas le nettoyage ni les opérations de maintenance réservées aux utilisateurs à des enfants sans surveillance.
- En fonctionnement, la température de la robinetterie peut dépasser 50 °C. Risque de brûlure à des températures de sortie supérieures à 43 °C.
- Cet appareil ne convient pas pour alimenter une douche (en mode douche).
- L'appareil doit pouvoir être déconnecté du secteur par un dispositif de coupure multipolaire ayant une ouverture minimale des contacts de 3 mm.
- La tension indiquée doit correspondre à la tension du secteur.
- L'appareil doit être raccordé en permanence à un câblage fixe, à l'exception de EIL 3 Plus.
- En cas de détérioration ou pour le remplacement du câble d'alimentation, veuillez n'utiliser que des pièces de rechange d'origine, et faire appel à un installateur agréé par le fabricant.
- Fixez l'appareil comme indiqué dans le chapitre « Installation / Montage ».

Remarques générales

- Tenez compte de la pression admissible maximale (voir chapitre « Données techniques / Tableau des données »)
- La résistance hydraulique spécifique du réseau de distribution d'eau doit être atteinte (voir le chapitre « Installation / Données techniques / Tableau de données »).
- Vidangez l'appareil comme indiqué au chapitre « Installation / Maintenance / Vidange de l'appareil ».

UTILISATION

1. Remarques générales

Le chapitre « Utilisation » s'adresse à l'utilisateur de l'appareil et à l'installateur qualifié.

Le chapitre « Installation » s'adresse aux installateurs.



Remarque

Lisez attentivement cette notice avant l'utilisation et conservez-la soigneusement.
Remettez cette notice au nouvel utilisateur le cas échéant.

1.1 Consignes de sécurité

1.1.1 Présentation des consignes de sécurité






MENTION D'AVERTISSEMENT Nature du danger
Sont indiqués ici les risques éventuellement encourus en cas de non-respect de la consigne de sécurité.
► Indique les mesures permettant de prévenir le danger.

UTILISATION

Remarques générales

1.1.2 Pictogrammes, nature du danger

Pictogramme	Nature du danger
	Blessure
	Électrocution
	Brûlure (brûlure, ébouillement)

1.1.3 Mentions d'avertissement

MENTION D'AVERTISSEMENT	Signification
DANGER	Caractérise des consignes dont le non-respect entraîne de graves lésions, voire la mort.
AVERTISSEMENT	Caractérise des consignes dont le non-respect peut entraîner de graves lésions, voire la mort.
ATTENTION	Caractérise des consignes dont le non-respect peut entraîner des lésions légères ou moyennement graves.

1.2 Autres pictogrammes utilisés dans cette documentation



Remarque

Les remarques sont délimitées par des lignes horizontales au-dessus et en dessous du texte. Le pictogramme ci-contre caractérise des consignes générales.

► Lisez attentivement les consignes.

Pictogramme



Dommages matériels
(endommagement de l'appareil, dommages consécutifs,
pollution de l'environnement)



Recyclage de l'appareil

► Ce pictogramme signale une action à entreprendre. Les actions nécessaires sont décrites étape par étape.

1.3 Unités de mesure



Remarque

Sauf indication contraire, l'unité de mesure utilisée est en millimètre.

2. Sécurité

2.1 Utilisation conforme

L'appareil est conçu pour une utilisation domestique. Il peut être utilisé sans risque par des personnes qui ne disposent pas de connaissances techniques particulières. L'appareil peut également être utilisé dans un environnement non domestique, par exemple dans de petites entreprises, à condition que son utilisation soit de même nature.

Cet appareil est conçu pour la production d'eau chaude sanitaire. Il convient pour un lave-mains.

Tout autre emploi est considéré comme non conforme. Une utilisation conforme de l'appareil implique également le respect de cette notice et de celles des accessoires utilisés.

2.2 Consignes de sécurité générales



DANGER Brûlure

En fonctionnement, la température de la robinetterie peut dépasser 50 °C. Risque de brûlure à des températures de sortie supérieures à 43 °C.



AVERTISSEMENT Blessure

L'appareil peut être utilisé par des enfants de 3 ans et plus, ainsi que par des personnes aux facultés physiques, sensorielles ou mentales réduites, ou par des personnes sans expérience, s'ils sont sous surveillance ou qu'ils ont été formés à l'utilisation en toute sécurité de l'appareil, et s'ils ont compris les dangers encourus. Ne laissez pas les enfants jouer avec l'appareil. Ne confiez pas le nettoyage ni les opérations de maintenance réservées aux utilisateurs à des enfants sans surveillance.



DANGER Risque d'électrocution

Faites remplacer immédiatement tout câble de raccordement électrique endommagé ou défectueux par un installateur. Cette précaution écarte tout risque potentiel.



Dommages matériels

Protégez l'appareil et la robinetterie du gel.



Dommages matériels

Utilisez uniquement le régulateur de jet spécial fourni. Évitez l'entartrage des becs de robinetterie (voir le chapitre « Nettoyage, entretien et maintenance »).

2.3 Label de conformité

Voir la plaque signalétique sur l'appareil.

3. Description de l'appareil

Ce petit chauffe-eau instantané à commande hydraulique chauffe l'eau directement au point de soutirage. Lorsque la robinetterie est ouverte, la puissance de chauffe est automatiquement activée. Grâce aux faibles longueurs des conduites, les pertes d'énergie et d'eau sont réduites.

La capacité de production d'eau chaude dépend de la température de l'eau froide, de la puissance de chauffe et du débit.

Le système de chauffe à fil nu convient à l'eau calcaire et non calcaire. Le système de chauffe est largement résistant au tartre. Il garantit une mise à disposition rapide et efficace de l'eau chaude au lave-mains.

En installant le régulateur de jet spécial fourni, vous obtenez un jet optimal.

4. Configuration

Dès que vous ouvrez le robinet d'eau chaude de la robinetterie ou que la sonde d'une robinetterie à sonde est activée, le système de chauffe de l'appareil est automatiquement activé. L'eau est chauffée. Vous pouvez modifier la température de l'eau à l'aide de la robinetterie :

Pour le débit d'enclenchement, voir le chapitre « Données techniques / Tableau des données, Marche ».

Augmentation de la température

- ▶ Réduisez le débit de soutirage à l'aide de la robinetterie.

Diminution de la température

- ▶ Ouvrez plus la robinetterie ou ajoutez plus d'eau froide au mélangeur.

Après coupure d'eau

Voir chapitre « Mise en service / Remise en marche ».

5. Nettoyage, entretien et maintenance

- ▶ N'utilisez aucun produit de nettoyage abrasif ou corrosif. Un chiffon humide suffit pour le nettoyage et l'entretien de l'appareil.
- ▶ Contrôlez régulièrement les robinetteries. Vous pouvez éliminer le tartre au niveau des becs de robinetterie avec les produits de détartrage du commerce.
- ▶ Faites contrôler régulièrement la sécurité électrique de l'appareil par un installateur.
- ▶ Détartrez ou remplacez régulièrement le régulateur de jet spécial dans la robinetterie (voir le chapitre « Description de l'appareil / Accessoires ».).

6. Dépannage

Problème	Cause	Remède
L'appareil ne démarre pas, bien que le robinet d'eau chaude soit entièrement ouvert.	L'appareil n'est pas sous tension.	Contrôlez le fusible / disjoncteur au tableau électrique.
	Le régulateur de jet de la robinetterie est entartré ou encrassé.	Procédez au nettoyage et/ou au détartrage du régulateur de jet, ou bien remplacez-le par un modèle spécial.
	L'alimentation en eau est coupée.	Purgez l'appareil et la conduite d'arrivée d'eau froide (voir le chapitre Réglages).

Appelez l'installateur si vous ne réussissez pas à éliminer la cause du problème. Pour obtenir une aide efficace et rapide, communiquez-lui le numéro indiqué sur la plaque signalétique (000000-0000-00000).

Modèle : N° E :

N° F :

INSTALLATION

7. Sécurité

L'installation, la mise en service, la maintenance et les réparations de cet appareil doivent exclusivement être confiées à un installateur.

7.1 Consignes de sécurité générales

Nous garantissons le bon fonctionnement et la sécurité de fonctionnement de l'appareil uniquement si les accessoires et pièces de rechange utilisés sont d'origine.



Dommages matériels

Tenez compte de la température d'arrivée d'eau maximale admissible. L'appareil peut subir des détériorations en cas de températures trop élevées. Vous pouvez limiter la température d'arrivée d'eau à l'aide d'une robinetterie thermostatique centralisée.

7.2 Prescriptions, normes et réglementations



Remarque

Respectez toutes les prescriptions et réglementations nationales et locales en vigueur.

La résistance électrique spécifique de l'eau ne doit pas être inférieure à celle indiquée sur la plaque signalétique. Pour un réseau mixte, vous devez prendre en compte la plus faible résistance électrique de l'eau (voir chapitre « Données techniques / Tableau des données »). Votre société distributrice est en mesure de délivrer les informations relatives à la résistance électrique spécifique ou à la conductivité électrique de l'eau.

8. Description de l'appareil

8.1 Fourniture

Sont fournis avec l'appareil :

- Filtre dans l'arrivée d'eau froide
- Régulateur de jet spécial
- Flexible de raccordement 3/8, 500 mm de longueur, avec joints d'étanchéité*
- Raccord en T 3/8*

* pour le raccordement en tant qu'appareil sous pression

8.2 Accessoires

Régulateur de jet spécial



Remarque

Lorsque le régulateur de jet spécial est installé dans la robinetterie, vous obtenez un jet d'eau optimal.

Robinetteries

- Utilisez des robinetteries appropriées.

Robinetteries sous pression

Des robinetteries sous pression adaptées sont disponibles dans le commerce spécialisé.

Robinetteries à écoulement libre

- MAW (OT) Robinetterie murale à écoulement libre
- MAZ (UT) Robinetterie de lavabo à 2 poignées à écoulement libre
- MAE (UTE) Mitigeur mural monocommande à écoulement libre

9. Travaux préparatoires

- Rincez soigneusement la conduite d'eau.

Installation hydraulique

Aucune soupape de sécurité n'est nécessaire.

10. Montage

10.1 Lieu d'installation

Installez l'appareil dans un local hors gel à proximité du robinet du point de soutirage.

Veillez à ce que les vis de fixation latérales du capot soient accessibles.

L'appareil est exclusivement conçu pour une pose sous évier (raccordement hydraulique par le haut).



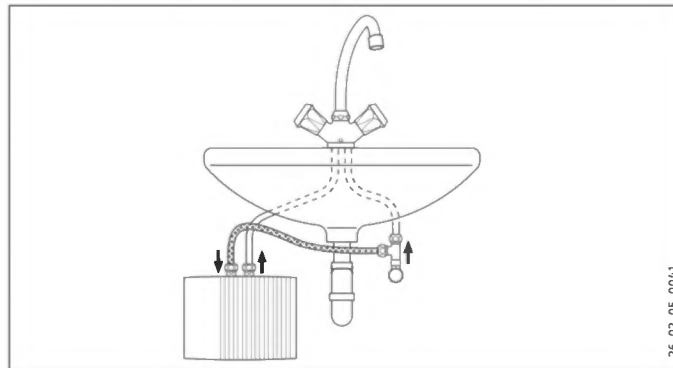
DANGER Risque d'électrocution

Le degré de protection IP 25 n'est assuré que si la paroi arrière de l'appareil est montée.

- Montez toujours la paroi arrière de l'appareil.

10.2 Variantes de pose

Pose sous évier, sous pression, avec robinetterie sous pression

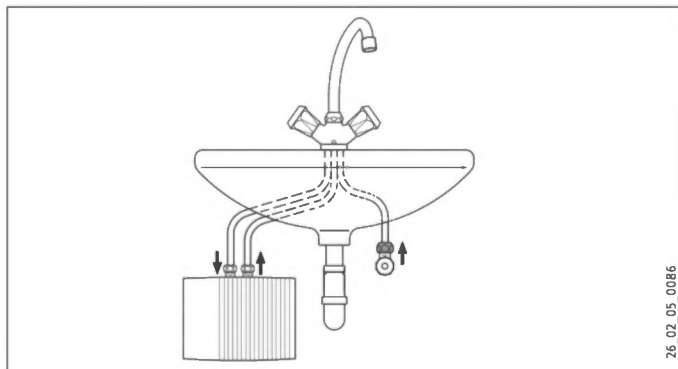


26_02_05_0041

INSTALLATION

Montage

Pose sous évier, écoulement libre, avec robinetterie à écoulement libre



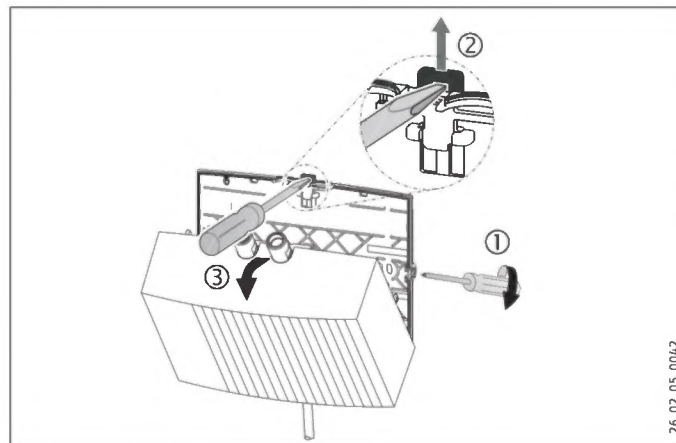
10.2.1 Pose de l'appareil

- Fixez l'appareil au mur.



Remarque

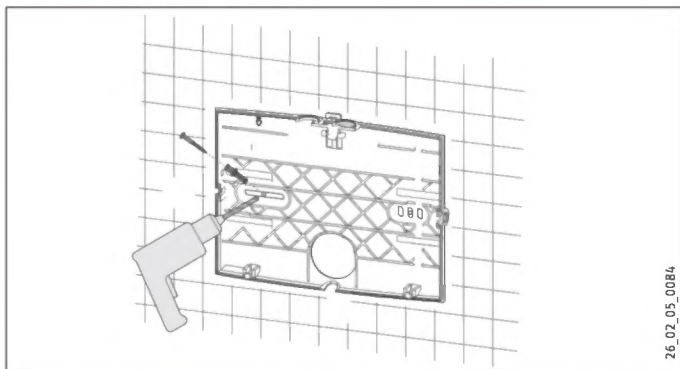
Le mur doit être suffisamment porteur.



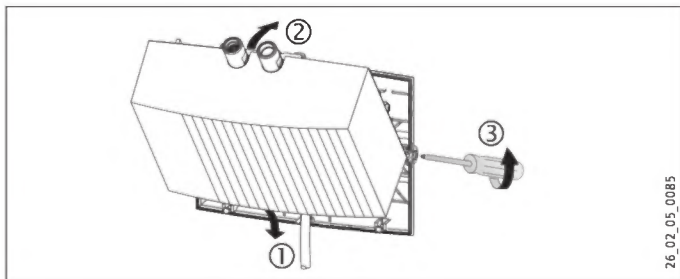
- Desserrez sur deux tours les vis de fixation du capot.
- Déverrouillez le bouchon à dé clic à l'aide d'un tournevis.
- Retirez le capot de l'appareil avec le système de chauffe par l'avant.
- Rompez l'ouverture de passage du câble de raccordement électrique dans le capot de l'appareil à l'aide d'une pince. Ébavurez les contours avec une lime au besoin.

INSTALLATION

Montage



- ▶ Utilisez la paroi arrière de l'appareil comme gabarit de perçage.
- ▶ Fixez la paroi arrière de l'appareil au mur à l'aide des vis et des chevilles.



- ▶ Passez le câble de raccordement électrique par le capot de l'appareil.
- ▶ Accrochez le bas du capot avec le système de chauffe.
- ▶ Encliquetez le système de chauffe dans le bouchon à déclic.
- ▶ Fixez le capot à l'aide de ses vis de fixation.

10.2.2 Pose de la robinetterie



Dommages matériels

Lors du montage des raccords, la partie côté appareil doit impérativement être maintenue à l'aide d'une clé d'ouverture 14.

Raccordement sous pression

- ▶ Installez le flexible de raccordement 3/8 et le raccord en T 3/8 fournis.
- ▶ Posez la robinetterie. Tenez compte des notice d'utilisation et d'installation de la robinetterie.

Raccordement à écoulement libre

- ▶ Posez la robinetterie. Tenez compte des notice d'utilisation et d'installation de la robinetterie.

INSTALLATION

Mise en service

10.3 Réalisation du raccordement électrique



DANGER Risque d'électrocution
Exécutez tous les travaux de raccordement et d'installation électriques conformément aux prescriptions.



DANGER Risque d'électrocution
Veillez à ce que l'appareil soit raccordé au conducteur de mise à la terre.
L'appareil doit pouvoir être déconnecté du secteur par un dispositif de coupure multipolaire ayant une ouverture minimale des contacts de 3 mm.



DANGER Risque d'électrocution
Les appareils sont équipés d'origine d'un cordon de raccordement (EIL 3 Plus avec fiche).
Il est possible de brancher l'appareil sur une ligne électrique fixe à condition que celle-ci présente des conducteurs d'une section au moins égale à celle du cordon de l'appareil. Ces conducteurs doivent avoir une section de 3 x 6 mm² au maximum.



Domages matériels
Si vous branchez l'appareil sur une prise secteur 2P+T (dans le cas d'un cordon d'alimentation avec fiche), veillez à ce que celle-ci reste accessible une fois l'appareil installé.



Domages matériels
Respectez les indications de la plaque signalétique. La tension indiquée doit correspondre à la tension du secteur.

- ▶ Raccordez le câble d'alimentation électrique selon le schéma électrique (voir le chapitre « Données techniques / Schéma électrique »).

11. Mise en service

11.1 Première mise en service



- ▶ Remplissez l'appareil par plusieurs soutirages en ouvrant la robinetterie jusqu'à ce que la conduite d'arrivée d'eau et l'appareil soient totalement purgés.
- ▶ Effectuez un contrôle d'étanchéité.
- ▶ Branchez la fiche du cordon dans la prise secteur 2P+T ou enclenchez le disjoncteur.
- ▶ Contrôlez le fonctionnement de l'appareil.

11.2 Remise de l'appareil au client

- ▶ Expliquez les différentes fonctions de l'appareil à l'utilisateur, puis familiarisez-le avec son utilisation.
- ▶ Indiquez à l'utilisateur les risques encourus, notamment les risques de brûlures.
- ▶ Remettez-lui cette notice.

11.3 Remise en marche



Dommmages matériels

Après une coupure d'eau, l'appareil doit être remis en fonctionnement en procédant comme suit pour ne pas détruire le système de chauffe à fil nu.

- ▶ Mettez l'appareil hors tension. Débranchez la fiche du cordon de la prise secteur ou déclenchez le disjoncteur.
- ▶ Voir le chapitre « Première mise en service ».

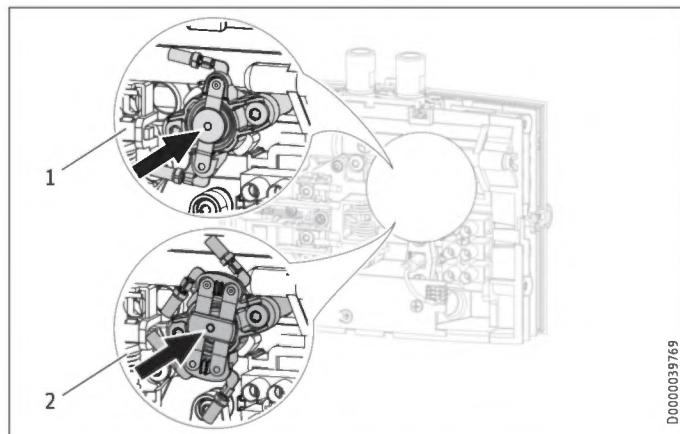
12. Mise hors service

- ▶ Séparez l'appareil du secteur à l'aide du disjoncteur de l'installation domestique ou débranchez la fiche du cordon d'alimentation.
- ▶ Vidangez l'appareil (voir le chapitre « Maintenance »).

13. Aide au dépannage

Problème	Cause	Remède
L'appareil ne démarre pas, bien que le robinet d'eau chaude soit entièrement ouvert.	Le régulateur de jet de la robinetterie est entartré ou encrassé.	Procédez au nettoyage et/ou au détartrage du régulateur de jet, ou bien remplacez-le par un modèle spécial.
	Le filtre de l'arrivée d'eau froide est colmaté.	Nettoyez le filtre après avoir coupé l'arrivée d'eau froide.
	Le système de chauffe est défectueux.	Mesurez la résistance du système de chauffe et, le cas échéant, remplacez l'appareil.
	Le pressostat de sécurité s'est déclenché.	Supprimez l'origine du défaut. Mettez l'appareil hors tension, puis faites chuter totalement la pression dans la conduite d'eau. Activez le pressostat de sécurité.

Activation du pressostat de sécurité



- 1 Pressostat de sécurité à 1 broche EIL 4 Plus / EIL 6 Plus
- 2 Pressostat de sécurité à 2 broches EIL 3 Plus / EIL 7 Plus

14. Maintenance



DANGER Risque d'électrocution
Avant toute intervention, débranchez l'appareil sur tous les pôles.

14.1 Vidange de l'appareil



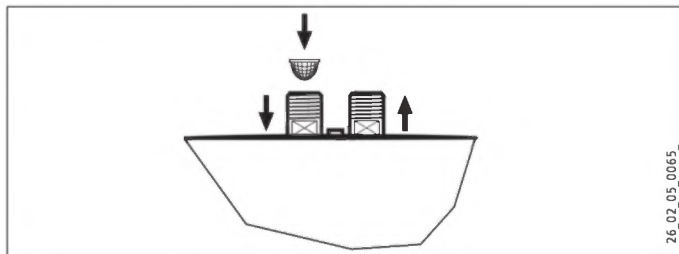
DANGER Brûlure
L'eau vidangée peut être très chaude.

Si l'appareil doit être vidangé pour les travaux de maintenance ou en vue de protéger l'ensemble de l'installation en cas de risque de gel, veuillez procéder comme suit :

- ▶ Fermez le robinet d'arrêt de l'arrivée d'eau froide.
- ▶ Ouvrez le robinet de soutirage.
- ▶ Desserrez les raccords hydrauliques de l'appareil.

14.2 Nettoyage du filtre

Vous pouvez nettoyer le filtre intégré une fois que la conduite de raccordement d'eau froide a été démontée.



14.3 Contrôles selon VDE 0701/0702

Contrôle du conducteur de mise à la terre

- ▶ Contrôlez le conducteur de terre (en Allemagne p. ex. DGUV A3) au contact du conducteur de terre sur la ligne électrique et au manchon de raccordement de l'appareil.

Résistance d'isolement

- ▶ Si un appareil d'une puissance de chauffe nominale $> 3,5$ kW ne peut pas atteindre la résistance d'isolement de 300 k Ω , nous recommandons de vérifier les propriétés d'isolement de cet appareil par une mesure du différentiel courant de terre / courant de fuite selon VDE 0701/0702 (fig. C.3b).

14.4 Stockage de l'appareil

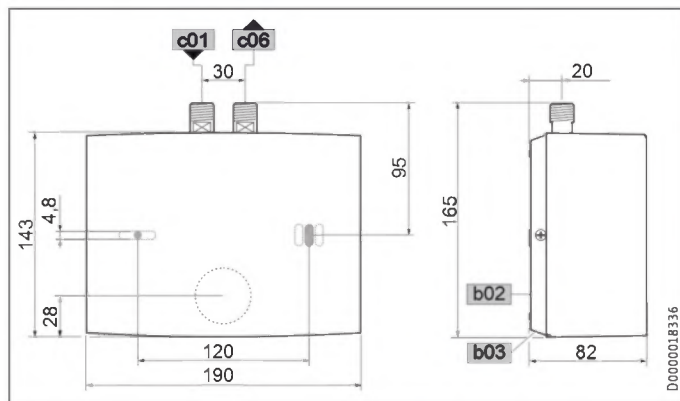
- ▶ Veillez à protéger du gel tout appareil déposé, car celui-ci contient encore de l'eau pouvant geler et provoquer des dommages.

14.5 Remplacement du câble d'alimentation électrique sur le EIL 6 Plus

- ▶ Sur le EIL 6 Plus, en cas de remplacement, vous devez utiliser un câble électrique de 4 mm².

15. Caractéristiques techniques

15.1 Cotes

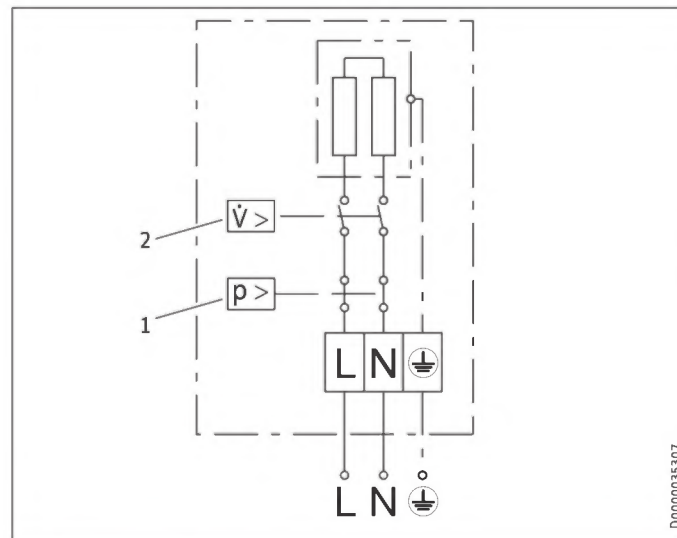


b02	Passage des câbles électriques I		
b03	Passage des câbles électriques II		
c01	Arrivée eau froide	Filetage mâle	G 3/8 A
c06	Sortie eau chaude	Filetage mâle	G 3/8 A

15.2 Schéma électrique

15.2.1 EIL 3 Plus

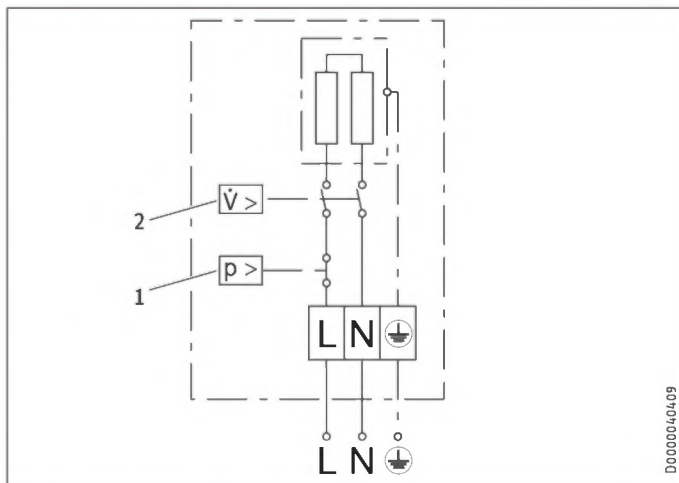
1/N/PE ~ 200-240 V



- 1 Pressostat de sécurité
- 2 Pressostat différentiel

15.2.2 EIL 4 Plus et EIL 6 Plus

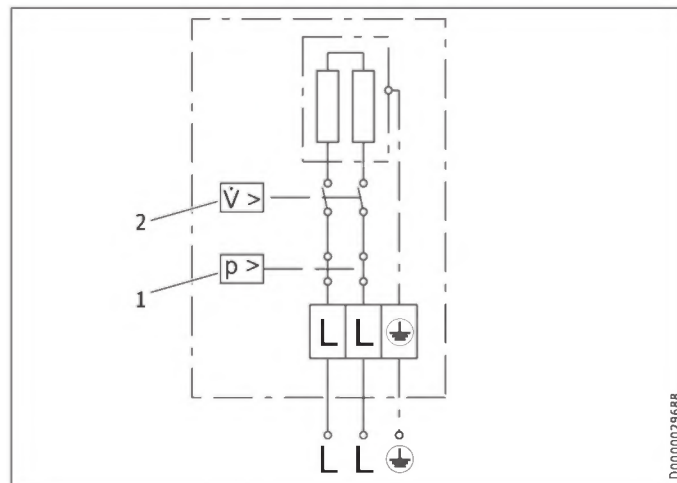
1/N/PE ~ 200-240 V



- 1 Pressostat de sécurité
- 2 Pressostat différentiel

15.2.3 EIL 7 Plus

2/PE ~ 380-415 V



- 1 Pressostat de sécurité
- 2 Pressostat différentiel

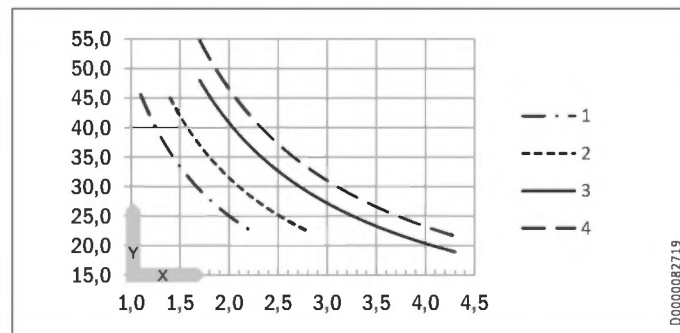


Domages matériels

- Dans le cas d'une alimentation électrique par installation fixe, branchez le câble de raccordement électrique selon l'affectation des bornes indiquée sur le schéma.

15.3 Augmentation de la température

Avec une tension secteur de 230 V / 400 V, on obtient les hausses de température suivantes de l'eau :



X Débit de soutirage en l/min

Y Hausse de température en K

1 3,5 kW - 230 V

2 4,4 kW - 230 V

3 5,7 kW - 230 V

4 6,5 kW - 400 V

Exemple EIL 3 Plus à 3,5 kW

Débit volumique	l/min	2,0
Augmentation de la température	K	25
Température d'arrivée eau froide	°C	12
Température maximale de sortie possible eau chaude	°C	37

15.4 Plages d'utilisation

Résistance électrique spécifique et conductivité électrique spécifique, voir « Tableau des données ».

Indication normalisée à 15 °C			20 °C			25 °C		
Résistance spécifique $\rho \geq$	Résistance Conductivité $\sigma \leq$		Résistance spécifique $\rho \geq$	Résistance Conductivité $\sigma \leq$		Résistance spécifique $\rho \geq$	Résistance Conductivité $\sigma \leq$	
Ωcm	mS/m	$\mu\text{S/cm}$	Ωcm	mS/m	$\mu\text{S/cm}$	Ωcm	mS/m	$\mu\text{S/cm}$
1100	91	909	970	103	1031	895	112	1117

15.5 Indications relatives à la consommation énergétique

Fiche produit : Chauffe-eau conventionnels selon règlement (UE) n° 812/2013 | 814/2013

		EIL 3 Plus	EIL 4 Plus	EIL 6 Plus	EIL 7 Plus
		200138	200139	200140	200141
Fabricant		STIEBEL ELTRON	STIEBEL ELTRON	STIEBEL ELTRON	STIEBEL ELTRON
Profil de soutirage		XXS	XXS	XXS	XS
Classe d'efficacité énergétique		A	A	A	A
Efficacité énergétique pour le chauffage de l'eau par conditions climatiques moyennes	%	39	38	39	40
Consommation annuelle d'électricité	kWh	478	478	478	466
Niveau de puissance acoustique	dB(A)	15	15	15	15
Indication spécifique pour la mesure de l'efficacité		aucun	aucun	aucun	aucun
Consommation journalière d'électricité	kWh	2,200	2,200	2,200	2,130

INSTALLATION

Caractéristiques techniques

15.6 Tableau des données

		EIL 3 Plus				EIL 4 Plus				EIL 6 Plus				EIL 7 Plus		
		200138				200139				200140				200141		
Données électriques																
Tension nominale	V	200	220	230	240	200	220	230	240	200	220	230	240	380	400	415
Puissance nominale	kW	2,7	3,2	3,53	3,8	3,3	4,0	4,4	4,8	4,3	5,2	5,7	6,2	5,9	6,5	7,0
Intensité nominale	A	13,3	14,5	15,2	15,8	16,7	18,2	19,1	20	21,6	23,6	24,7	25,8	15,5	16,3	16,9
Protection (électrique)	A	16				20				25	25	25	32	16	20	20
Fréquence	Hz	50/60				50/60				50/60				50/60	50/60	50/-
Phases		1/N/PE				1/N/PE				1/N/PE				2/PE		
Résistance spécifique $\rho_{15} \geq$	$\Omega \text{ cm}$	1100				1100				1100				1100		
Conductivité spécifique $\sigma_{15} \leq$	$\mu\text{S/cm}$	909				909				909				909		
Impédance de réseau maximale à 50 Hz	Ω									0,394	0,377	0,361				
Raccordements																
Raccordement hydraulique		G 3/8 A				G 3/8 A				G 3/8 A				G 3/8 A		
Limites d'utilisation																
Pression maxi admissible	MPa	1				1				1				1		
Valeurs																
Température d'arrivée max. admissible	$^{\circ}\text{C}$	35				35				35				35		
Activé	l/min	> 1,6				> 2,0				> 2,6				> 2,6		
Pertes de charge avec débit	MPa	0,05				0,06				0,08				0,08		
Débit pour pertes de charge	l/min	1,6				2,0				2,6				2,6		
Limitation du débit à	l/min	2,2				2,8				4,3				4,3		
Eau chaude à disposition	l/min	2,0				2,5				3,2				3,7		
$\Delta\theta$ pour mise à disposition	K	25				25				25				25		
Données hydrauliques																
Capacité nominale	l	0,1				0,1				0,1				0,1		

INSTALLATION

Caractéristiques techniques

Versions		EIL 3 Plus	EIL 4 Plus	EIL 6 Plus	EIL 7 Plus
Type de montage sous évier		X	X	X	X
Construction à écoulement libre		X	X	X	X
Construction sous pression		X	X	X	X
Classe de protection		1	1	1	1
Bloc isolant		plastique	plastique	plastique	plastique
Générateur de chaleur système de chauffage		Fil nu	Fil nu	Fil nu	Fil nu
Cache et panneau arrière		plastique	plastique	plastique	plastique
Couleur		blanc	blanc	blanc	blanc
Indice de protection (IP)		IP 25	IP 25	IP 25	IP 25
Dimensions					
Hauteur	mm	143	143	143	143
Largeur	mm	190	190	190	190
Profondeur	mm	82	82	82	82
Longueur du câble de raccordement	mm	700	700	700	700
Poids					
Poids	kg	1,4	1,4	1,4	1,4



Remarque

L'appareil est conforme à la norme CEI 61000-3-12.

Garantie

Les conditions de garantie de nos sociétés allemandes ne s'appliquent pas aux appareils achetés hors d'Allemagne. Au contraire, c'est la filiale chargée de la distribution de nos produits dans le pays qui est seule habilitée à accorder une garantie. Une telle garantie ne pourra cependant être accordée que si la filiale a publié ses propres conditions de garantie. Il ne sera accordé aucune garantie par ailleurs.

Nous n'accordons aucune garantie pour les appareils achetés dans des pays où aucune filiale de notre société ne distribue nos produits. D'éventuelles garanties accordées par l'importateur restent inchangées.

Environnement et recyclage

Merci de contribuer à la préservation de notre environnement. Après usage, procédez à l'élimination des matériaux conformément à la réglementation nationale.

BIJZONDERE INSTRUCTIES

BEDIENING

1. Algemene voorschriften	48
1.1 Veiligheidsinstructies	48
1.2 Andere aandachtspunten in deze documentatie	49
1.3 Meeteenheden	49
2. Veiligheid	50
2.1 Reglementair gebruik	50
2.2 Algemene veiligheidsvoorschriften	50
2.3 Keurmerk	51
3. Toestelbeschrijving	51
4. Instellingen	51
5. Reiniging, onderhoud en revisie	51
6. Problemen verhelpen	52

INSTALLATIE

7. Veiligheid	52
7.1 Algemene veiligheidsvoorschriften	52
7.2 Voorschriften, normen en bepalingen	53
8. Toestelbeschrijving	53
8.1 Leveringsomvang	53
8.2 Toebehoren	53
9. Voorbereidingen	54
10. Montage	54
10.1 Montageplaats	54
10.2 Montagealternatieven	54

10.3 Elektriciteit aansluiten	57
11. Ingebruikname	57
11.1 Eerste ingebruikname	57
11.2 Overdracht van het toestel	58
11.3 Opnieuw in gebruik nemen	58
12. Buitendienststelling	58
13. Storingen verhelpen	58
14. Onderhoud	59
14.1 Het toestel aftappen	59
14.2 Zeef reinigen	60
14.3 Controles volgens VDE 0701/0702	60
14.4 Opslag van het toestel	60
14.5 De elektrische aansluitkabel bij de EIL 6 Plus vervangen	60
15. Technische gegevens	61
15.1 Afmetingen	61
15.2 Schakelschema	61
15.3 Temperatuurverhoging	63
15.4 Toepassingsmogelijkheden	63
15.5 Gegevens over het energieverbruik	64
15.6 Gegevenstabel	65

GARANTIE

MILIEU EN RECYCLING

BIJZONDERE INSTRUCTIES

- Het toestel kan door kinderen vanaf 3 jaar, alsmede door personen met fysieke, zintuiglijke of geestelijke beperkingen of met een gebrek aan ervaring en kennis gebruikt worden, wanneer er toezicht op hen gehouden wordt, of wanneer ze met betrekking tot het veilige gebruik van het toestel getraind zijn en de gevaren die daaruit ontstaan, begrepen hebben. Kinderen mogen niet met het toestel spelen. Kinderen mogen zonder toezicht het toestel niet reinigen noch gebruikersonderhoud uitvoeren.
- De temperatuur van de kraan kan bij gebruik hoger worden dan 50 °C. Bij uitlooptemperaturen van meer dan 43 °C bestaat gevaar voor brandwonden.
- Het toestel is niet geschikt voor de voorziening van een douche (douchewerking).
- Het toestel moet op alle polen met een afstand van minstens 3 mm van de aansluiting van het net kunnen worden losgekoppeld.
- De aangegeven spanning moet overeenkomen met de netspanning.
- Het toestel moet permanent op een vaste bedrading aangesloten worden, uitzondering EIL 3 Plus.
- De stroomkabel mag bij beschadiging of vervanging alleen worden vervangen door een origineel onderdeel en door een installateur die daartoe door de fabrikant gemachtigd is.
- Monteer het toestel zoals beschreven in het hoofdstuk "Installatie / Montage".
- Neem de maximaal toegelaten druk in acht (zie hoofdstuk "Technische gegevens / Gegevenstabel").

- De specifieke waterweerstand van het watervoorzieningsnetwerk mag niet onderschreden worden (zie hoofdstuk “Installatie / Technische gegevens / Gegevenstabel”).
- Tap het toestel af zoals beschreven in het hoofdstuk “Installatie/onderhoud/het toestel aftappen”.

BEDIENING

1. Algemene voorschriften

Het hoofdstuk “Bediening” is bedoeld voor de gebruiker van het toestel en voor de installateur.

Het hoofdstuk “Installatie” is bedoeld voor de installateur.



Info

Lees deze handleiding voor gebruik zorgvuldig door en bewaar deze.

Geef de handleiding door aan een volgende gebruiker indien van toepassing.

1.1 Veiligheidsinstructies

1.1.1 Opbouw veiligheidsinstructies



TREFWOORD Soort gevaar

Hier worden de mogelijke gevolgen vermeld, wanneer de veiligheidsinstructies genegeerd worden.

► Hier staan maatregelen om gevaren te voorkomen.

BEDIENING

Algemene voorschriften

1.1.2 Symbolen, soort gevaar

Symbool	Soort gevaar
	Letsel
	Elektrische schok
	Verbranding (verbranding, verschroeïng)

1.1.3 Trefwoorden

TREFWOORD	Betekenis
GEVAAR	Instructies die leiden tot zwaar letsel of overlijden, wanneer deze niet in acht genomen worden.
WAARSCHUWING	Instructies die kunnen leiden tot zwaar letsel of overlijden, wanneer deze niet in acht genomen worden.
VOORZICHTIG	Instructies die kunnen leiden tot middelmatig zwaar of licht letsel, wanneer deze niet in acht genomen worden.

1.2 Andere aandachtspunten in deze documentatie



Info

Aanwijzingen staan tussen horizontale lijnen. Algemene aanwijzingen worden aangeduid met het hiernaast afgebeelde symbool.

► Lees de instructieteksten grondig door.

Symbool



Materiële schade
(toestel-, gevolg-, milieuschade)



Het toestel afdanken

► Dit symbool geeft aan dat u iets moet doen. De vereiste handelingen worden stap voor stap beschreven.

1.3 Meeteenheden



Info

Tenzij anders wordt vermeld, wordt de maateenheid in millimeter aangegeven.

2. Veiligheid

2.1 Reglementair gebruik

Het toestel is bestemd voor huishoudelijk gebruik. Het kan op een veilige manier bediend worden door personen die niet zijn geïnstrueerd in het gebruik ervan. Het toestel kan ook buiten het huishouden gebruikt worden, bijv. in een klein bedrijf, voor zover het op dezelfde wijze gebruikt wordt.

Het toestel is bestemd voor het opwarmen van drinkwater. Het toestel is bedoeld voor een handwastafel.

Elk ander gebruik dat verder gaat dan wat hier wordt omschreven, geldt als niet reglementair. Onder reglementair gebruik valt ook het in acht nemen van deze handleiding evenals de handleidingen voor het gebruikte toebehoren.

2.2 Algemene veiligheidsvoorschriften



GEVAAR voor verschroeïng

De temperatuur van het kraanwater kan bij gebruik hoger worden dan 50 °C. Bij uitlooptemperaturen van meer dan 43 °C bestaat gevaar voor brandwonden.



WAARSCHUWING letsel

Het toestel kan door kinderen vanaf 3 jaar, alsmede door personen met fysieke, zintuiglijke of geestelijke beperkingen of met een gebrek aan ervaring en kennis gebruikt worden, wanneer er toezicht op hen gehouden wordt, of wanneer ze met betrekking tot het veilige gebruik van het toestel getraind zijn en de gevaren die daaruit ontstaan, begrepen hebben. Kinderen mogen niet met het toestel spelen. Kinderen mogen zonder toezicht het toestel niet reinigen noch gebruikersonderhoud uitvoeren.



GEVAAR Elektrische schok

Een beschadigde elektrische aansluitkabel moet door een vakman worden vervangen. Daardoor worden mogelijke risico's uitgesloten.



Materiële schade

Bescherm het toestel en de kraan tegen vorst.



Materiële schade

Gebruik alleen de meegeleverde speciale straalregelaar. Voorkom kalkaanslag aan de kraanuitlopen (zie het hoofdstuk "Reiniging, verzorging en onderhoud").

2.3 Keurmerk

Zie het typeplaatje op het toestel.

3. Toestelbeschrijving

De hydraulisch gestuurde mini-doorstroomer verwarmt het water direct bij het tappunt. Bij het openen van de kraan wordt het verwarmingsvermogen automatisch ingeschakeld. Door het korte leidingtraject ontstaan slechts geringe energie- en waterverliezen.

Het warmwatervermogen is afhankelijk van de koudwaterinloop-temperatuur, het verwarmingsvermogen en het doorstroomvolume.

Het blankdraadelement is geschikt voor kalkarm en kalkhoudend water. Het verwarmingssysteem is in grote mate ongevoelig voor verkalking. Het verwarmingssysteem zorgt voor een snelle en efficiënte warmwateraanbieding aan de handwastafel.

De inbouw van de meegeleverde speciale straalregelaar resulteert in een optimale waterstraal.

4. Instellingen

Zodra u de warmwaterkraan opendraait of de sensor van een sensorkraan activeert, wordt automatisch het verwarmingssysteem van het toestel ingeschakeld. Het water wordt verwarmd. U kunt de temperatuur van het water met de kraan instellen:

Zie voor de tapdrempel het hoofdstuk “Technische gegevens/gegevenstabel”.

Temperatuur verhogen

- ▶ Smoor het doorstroomvolume bij de kraan.

Temperatuur verlagen

- ▶ Draai de kraan verder open of meng meer koud water bij.

Na onderbreking van de watertoevoer

Zie het hoofdstuk “Ingebruikname/opnieuw in gebruik nemen”.

5. Reiniging, onderhoud en revisie

- ▶ Gebruik geen schurende reinigingsmiddelen of reinigingsmiddelen die oplosmiddelen bevatten. Een vochtige doek volstaat om het toestel te onderhouden en te reinigen.
- ▶ Controleer regelmatig de kranen. Verwijder kalk op de kraanuitlopen met in de handel verkrijgbare ontkalkingsmiddelen.
- ▶ Laat de elektrische veiligheid van het toestel periodiek controleren door een installateur.
- ▶ Ontkalk of vervang de speciale straalregelaar van de kraan regelmatig (zie het hoofdstuk “Toestelbeschrijving/accessoires”).

6. Problemen verhelpen

Probleem	Oorzaak	Oplossing
Toestel schakelt niet maar de kraan staat open.	Het toestel heeft geen spanning.	Controleer de zekering van de huisinstallatie.
	De straalregelaar in de kraan is vuil of verkalkt.	Reinig en/of ontkalk de straalregelaar of vervang de speciale straalregelaar.
	De watervoorziening is onderbroken.	Ontlucht het toestel en de koudwatertoevoerleiding (zie het hoofdstuk "Instellingen").

Neem contact op met de installateur als u de oorzaak van het probleem zelf niet kunt verhelpen. Hij kan u sneller en beter helpen als u hem het nummer op het typeplaatje doorgeeft (000000-0000-00000).

Model:	<input type="text" value="EIL . . ."/>	E-Nr:	<input type="text" value="000000"/>
F-Nr:	<input type="text" value="0000-00000"/>		

INSTALLATIE

7. Veiligheid

Installatie, ingebruikname, onderhoud en reparatie van het toestel mogen alleen door een gekwalificeerde installateur uitgevoerd worden.

7.1 Algemene veiligheidsvoorschriften

Wij waarborgen de goede werking en de bedrijfszekerheid uitsluitend bij gebruik van originele onderdelen en reserveonderdelen voor het toestel.



Materiële schade

Houd rekening met de max. toegelaten aanvoertemperatuur. Bij hogere temperaturen kan het toestel beschadigd raken. Met een centrale thermostaatkraan kunt u de aanvoertemperatuur begrenzen.

INSTALLATIE

Toestelbeschrijving

7.2 Voorschriften, normen en bepalingen



Info

Neem alle nationale en regionale voorschriften en bepalingen in acht.

De specifieke elektrische weerstand van het water mag niet lager zijn dan de waarde die vermeld staat op het typeplaatje. Bij een water-koppelnets moet rekening worden gehouden met de laagste elektrische weerstand van het water (zie het hoofdstuk "Technische gegevens/gegevenstabel"). De specifieke elektrische weerstand of het elektrisch geleidend vermogen van het water kunt u opvragen bij uw watermaatschappij.

8. Toestelbeschrijving

8.1 Leveringsomvang

Bij het toestel wordt het volgende geleverd:

- Zeef in de koudwatertoevoer
- Speciale straalregelaar
- Aansluitslang 3/8, 500 mm lang, met dichtingen*
- T-stuk 3/8*

* voor de aansluiting als drukvast toestel

8.2 Toebehoren

Speciale straalregelaar



Info

De inbouw van de speciale straalregelaar in de kraan resulteert in een optimale waterstraal.

Kranen

- Gebruik geschikte kranen.

Drukvast armaturen

Geschikte drukvast armaturen vindt u in de vakhandel.

Drukloze kranen

- MAW (OT) - drukloze muurkraan
- MAZ (UT) - drukloze tweegreeps-wastafelkraan
- MAE (UTE) - drukloze ééngreeps-wastafelkraan

INSTALLATIE

Vorbereidingen

9. Vorbereidingen

- Spoel de waterleiding grondig door.

Waterinstallatie

Een veiligheidsventiel is niet noodzakelijk.

10. Montage

10.1 Montageplaats

Monteer het toestel in een vorstvrije ruimte in de nabijheid van het aftappunt.

Zorg ervoor dat de bevestigingsschroeven aan de zijkant van de kappen bereikbaar blijven.

Het toestel is alleen geschikt voor onderbouwmontage (wateraansluitingen aan de bovenkant).

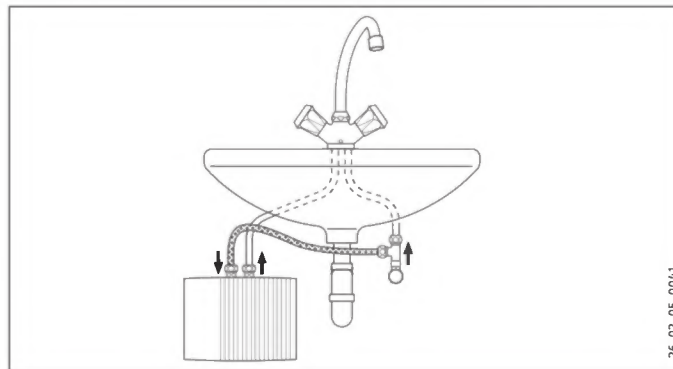


GEVAAR Elektrische schok
De beschermingsgraad IP25 is enkel gewaarborgd als de achterwand van het toestel is gemonteerd.

- Monteer altijd de achterwand van het toestel.

10.2 Montagealternatieven

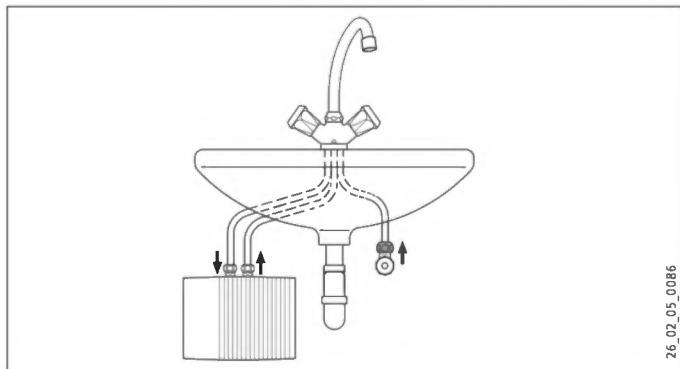
Ondermontage, drukvast, met drukvaste kraan



INSTALLATIE

Montage

Ondermontage, drukloos, met drukloze kraan



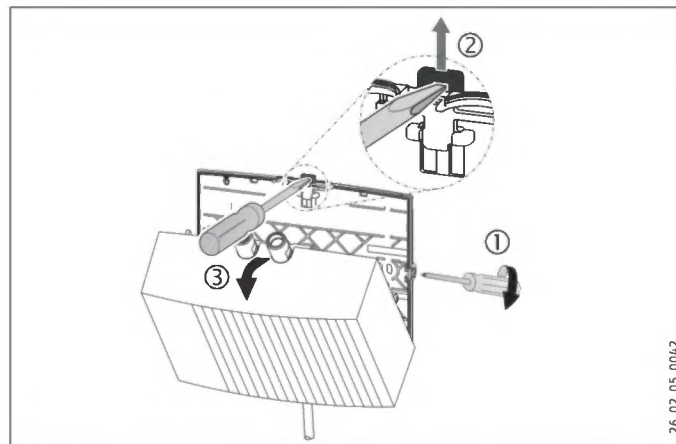
10.2.1 Montage van het toestel

- ▶ Monteer het toestel aan de muur.



Info

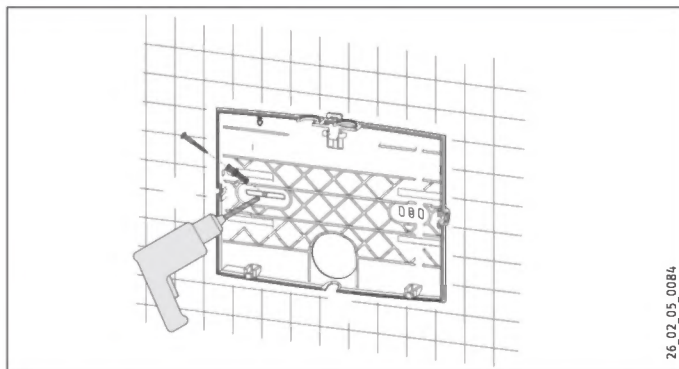
De muur moet voldoende draagvermogen hebben.



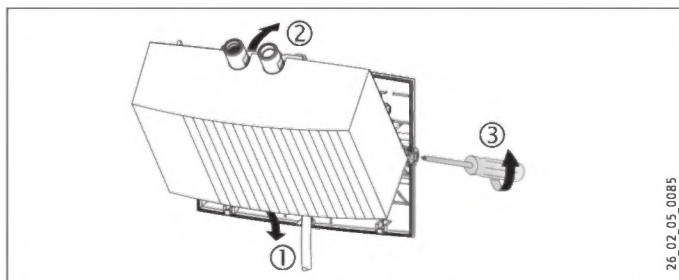
- ▶ Draai de bevestigingsschroeven van de kappen twee slagen los.
- ▶ Ontgrendel de knipsluiting met een schroevendraaier.
- ▶ Verwijder de toestelkap met het verwarmingssysteem naar voren.
- ▶ Breek de doorvoeropening in de toestelkap voor de elektrische aansluitkabel uit met een tang. Werk de rand zo nodig bij met een vijl.

INSTALLATIE

Montage



- ▶ Gebruik de achterwand van het toestel als boorsjabloon.
- ▶ Monteer de achterwand met geschikte pluggen en schroeven op de muur.



- ▶ Leid de elektrische aansluitkabel door de doorvoeropening in de achterwand.
- ▶ Haak de toestelkap met het verwarmingssysteem onder in.
- ▶ Klik het verwarmingssysteem in de knipsluiting.
- ▶ Zet de toestelkap vast met de bevestigingsschroeven.

10.2.2 Montage van de kraan



Materiële schade

Bij het vastzetten van de aansluitingen dient u deze bij het toestel tegen te houden met een sleutel SW 14.

Drukvraste aansluiting

- ▶ Monteer de meegeleverde aansluitslang 3/8 en het T-stuk 3/8.
- ▶ Monteer de kraan. Neem de instructies in de Bedienings- en installatiehandleiding van de kraan in acht.

Drukloze aansluiting

- ▶ Monteer de kraan. Neem de instructies in de Bedienings- en installatiehandleiding van de kraan in acht.

10.3 Elektriciteit aansluiten



GEVAAR Elektrische schok
Voer alle werkzaamheden voor elektriciteitsaansluitingen en montage uit conform de voorschriften.



GEVAAR Elektrische schok
Zorg ervoor dat het toestel is aangesloten op de aardleiding.
Het toestel moet op alle polen met een afstand van minstens 3 mm van de aansluiting van het net kunnen worden losgekoppeld.



GEVAAR Elektrische schok
De toestellen worden geleverd met een elektrische aansluitkabel (EIL 3 Plus met stekker).
Een aansluiting op een vaste elektrische leiding is mogelijk, als die minstens dezelfde diameter heeft als de standaardaansluitkabel. De maximale kabeldoorsnede bedraagt 3 x 6 mm².



Materiële schade
Zorg er bij aansluiting op een geaard stopcontact (bij toepassing van een elektrische aansluitkabel met stekker) voor dat het geaarde stopcontact na installatie van het toestel vrij toegankelijk is.



Materiële schade

Houd rekening met de specificaties op het typeplaatje. De aangegeven spanning moet overeenkomen met de netspanning.

- ▶ Sluit de elektrische aansluitkabel conform het elektriciteits-schakelschema aan (zie het hoofdstuk "Technische gegevens / elektriciteits-schakelschema").

11. Ingebruikname

11.1 Eerste ingebruikname



- ▶ Vul het toestel en tap meerdere keren water af via de kraan tot het leidingnet en het toestel lucht vrij zijn.
- ▶ Voer een dichtheidscontrole uit.
- ▶ Steek de stekker van de elektrische aansluitkabel, als die is toegepast, in het geaarde stopcontact of schakel de zekering in.
- ▶ Controleer de werkmodus van het toestel.

11.2 Overdracht van het toestel

- ▶ Leg aan de gebruiker de werking van het toestel uit en maak hem vertrouwd met het gebruik ervan.
- ▶ Wijs de gebruiker op mogelijke gevaren, met name het gevaar voor brandwonden.
- ▶ Overhandig hem deze handleiding.

11.3 Opnieuw in gebruik nemen



Materiële schade

Neem het toestel met de volgende stappen weer in gebruik als de watervoorziening onderbroken is geweest, zodat het blankdraadelement niet kapot gaat.

- ▶ Schakel het toestel spanningsvrij. Trek de stekker van de elektrische aansluitkabel, als die is toegepast, uit het gearrede stopcontact of schakel de zekering uit.
- ▶ Zie hoofdstuk “Eerste ingebruikname”.

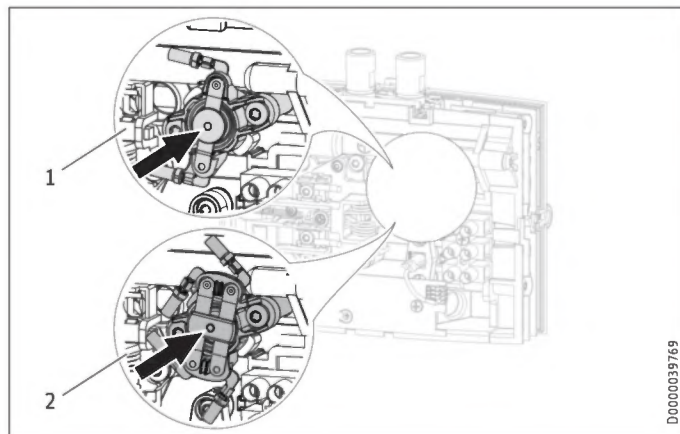
12. Buitendienststelling

- ▶ Koppel het toestel met de zekering los van de huisinstallatie of trek de stekker van de elektrische aansluitkabel uit het stopcontact.
- ▶ Tap het toestel af (zie het hoofdstuk “Onderhoud”).

13. Storingen verhelpen

Probleem	Oorzaak	Oplossing
Toestel schakelt niet maar de kraan staat open.	De straalregelaar in de kraan is vuil of verkalkt.	Reinig en/of ontkalk de straalregelaar of vervang de speciale straalregelaar.
	De zeef in de koudwaterleiding is verstopt.	Reinig de zeef nadat u de koudwateraanvoerleiding hebt afgesloten.
	Het verwarmingssysteem is defect.	Meet de weerstand van het verwarmingssysteem en vervang zo nodig het toestel.
	De veiligheidstemperatuurbegrenzer is geactiveerd.	Los de oorzaak van de storing op. Maak het toestel spanningsvrij en ontlast de waterleiding. Activeer de veiligheidsdrukbegrenzer.

De veiligheidsdrukbegrenzer activeren



- 1 1-polige veiligheidsdrukbegrenzer EIL 4 Plus / EIL 6 Plus
- 2 2-polige veiligheidsdrukbegrenzer EIL 3 Plus / EIL 7 Plus

14. Onderhoud



GEVAAR Elektrische schok
Scheid alle polen van het toestel van het elektriciteitsnet voor aanvang van alle werkzaamheden.

14.1 Het toestel aftappen



GEVAAR voor verschroeijing
Tijdens het aftappen kan er heet water uit het toestel lopen.

Ga als volgt te werk als het toestel voor onderhoudswerkzaamheden of als bescherming tegen vorst van de volledige installatie afgetapt moet worden:

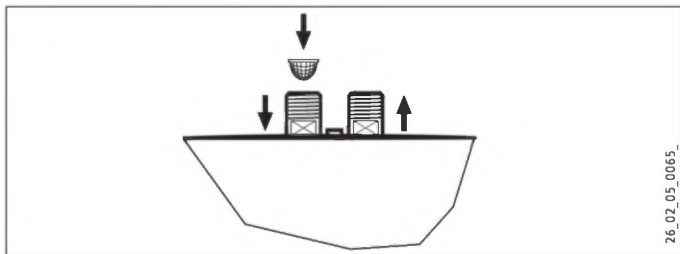
- ▶ Sluit de afsluitklep in de koudwatertoevoerleiding.
- ▶ Open het aftapventiel.
- ▶ Maak de wateraansluitingen van het toestel los.

INSTALLATIE

Onderhoud

14.2 Zeef reinigen

U kunt de ingebouwde zeef reinigen nadat de koudwateraansluiting is losgekoppeld.



14.3 Controles volgens VDE 0701/0702

Controle van de aardleiding

- ▶ Controleer de aardleiding (in Duitsland bijv. DGUV A3) op het aardleidingscontact van de elektrische aansluitkabel en bij de aansluitstomp van het toestel.

Isolatieweerstand

- ▶ Als een toestel met een nominaal verwarmingsvermogen van > 3,5 kW de isolatieweerstand von 300 kΩ niet bereikt, adviseren we de isolatie-eigenschappen van dit toestel door middel van een verschilstroommeting van de aardleidingstroom / lekstroom volgens VDE 0701/0702 (afbeelding C.3b) uit te voeren.

14.4 Opslag van het toestel

- ▶ Een gedemonteerd toestel moet vorstvrij bewaard worden, want er kan restwater in het toestel zitten dat kan bevriezen en daardoor schade kan veroorzaken.

14.5 De elektrische aansluitkabel bij de EIL 6 Plus vervangen

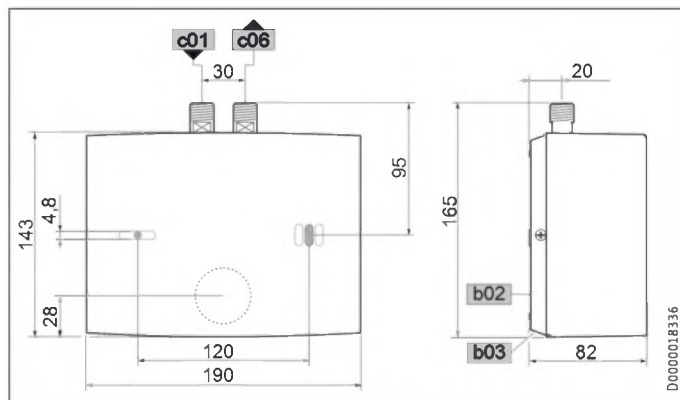
- ▶ Bij de EIL 6 Plus moet bij vervanging een elektrische aansluitkabel met een diameter van 4 mm² worden gebruikt.

INSTALLATIE

Technische gegevens

15. Technische gegevens

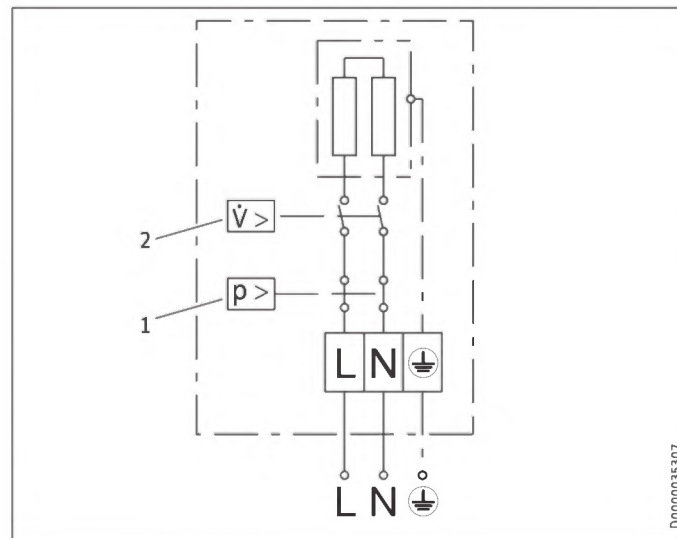
15.1 Afmetingen



b02	Doorvoer elektr.kabels I		
b03	Doorvoer elektr.kabels II		
c01	Koudwatertoevoer	Buitendraad	G 3/8 A
c06	Warmwateruitloop	Buitendraad	G 3/8 A

15.2 Schakelschema

15.2.1 EIL 3 Plus 1/N/PE ~ 200-240 V

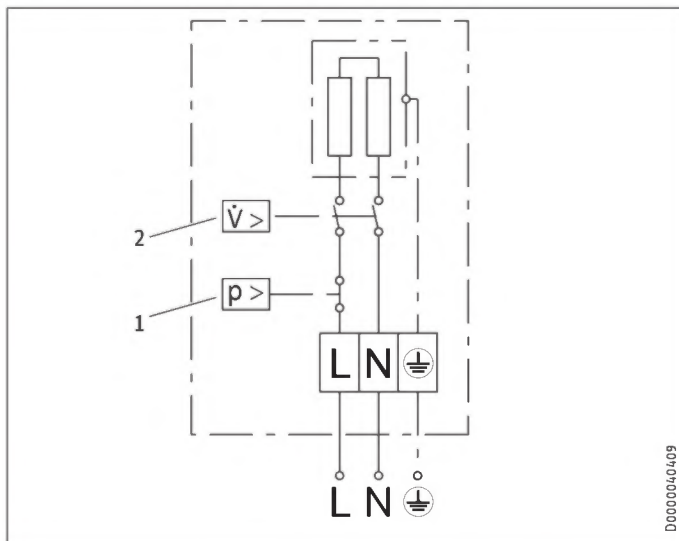


- 1 Veiligheidsdrukbegeer
- 2 Drukschakelaar

INSTALLATIE

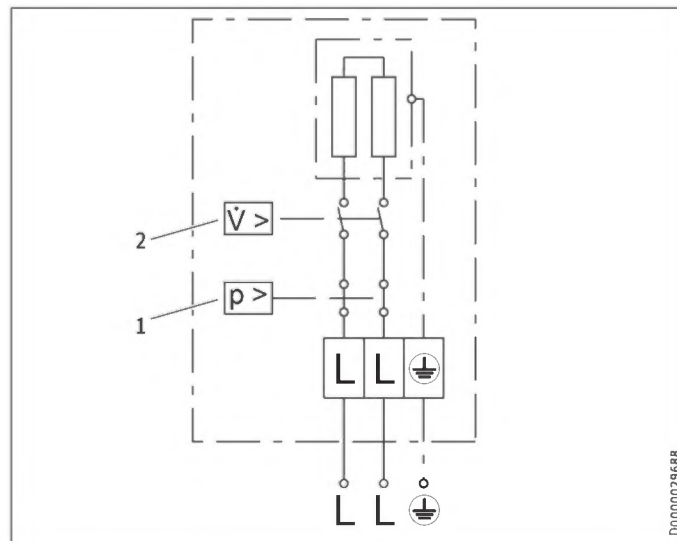
Technische gegevens

15.2.2 EIL 4 Plus en EIL 6 Plus 1/N/PE ~ 200-240 V



- 1 Veiligheidsdrukbegrenzer
- 2 Drukschakelaar

15.2.3 EIL 7 Plus 2/PE ~ 380-415 V



- 1 Veiligheidsdrukbegrenzer
- 2 Drukschakelaar



Materiële schade

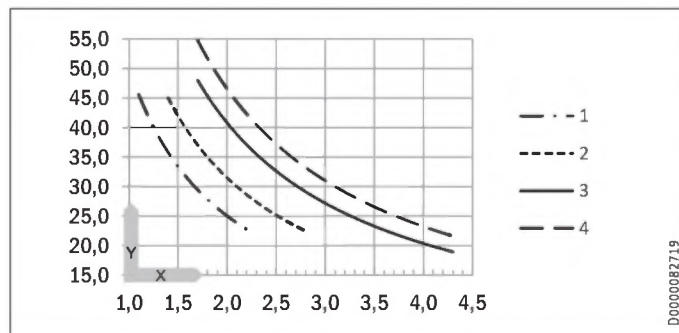
- Bij een vaste aansluiting sluit u de elektrische aansluitkabel aan conform de beschrijving bij de klemmen.

INSTALLATIE

Technische gegevens

15.3 Temperatuurverhoging

De volgende temperatuurverhogingen zijn beschikbaar bij een spanning van 230 V / 400 V:



- X Debiet in l/min
 Y Temperatuurverhoging in K
- 1 3,5 kW - 230 V
 - 2 4,4 kW - 230 V
 - 3 5,7 kW - 230 V
 - 4 6,5 kW - 400 V

Voorbeeld EIL 3 Plus met 3,5 kW

Debiet	l/min	2,0
Temperatuurverhoging	K	25
Koudwater-toevoertemperatuur	°C	12
Maximaal mogelijke uitlooptemperatuur	°C	37

15.4 Toepassingsmogelijkheden

Zie de "Gegevenstabel" voor de specifieke elektrische weerstand en specifieke elektrische geleidbaarheid.

Genormeerde waarde bij 15 °C			20 °C			25 °C		
Spec. weerstand $\rho \geq$	Spec. geleidbaarheid $\sigma \leq$		Spec. weerstand $\rho \geq$	Spec. geleidbaarheid $\sigma \leq$		Spec. weerstand $\rho \geq$	Spec. geleidbaarheid $\sigma \leq$	
Ωcm	mS/m	$\mu\text{S/cm}$	Ωcm	mS/m	$\mu\text{S/cm}$	Ωcm	mS/m	$\mu\text{S/cm}$
1100	91	909	970	103	1031	895	112	1117

15.5 Gegevens over het energieverbruik

Productgegevensblad: Conventionele warmwaterbereider volgens verordening (EU) nr. 812/2013 | 814/2013

		EIL 3 Plus	EIL 4 Plus	EIL 6 Plus	EIL 7 Plus
		200138	200139	200140	200141
Fabrikant		STIEBEL ELTRON	STIEBEL ELTRON	STIEBEL ELTRON	STIEBEL ELTRON
Tapprofiel		XXS	XXS	XXS	XS
Energieklasse		A	A	A	A
Energetisch rendement	%	39	38	39	40
Jaarlijks stroomverbruik	kWh	478	478	478	466
Geluidsniveau	dB(A)	15	15	15	15
Bijzondere aanwijzingen voor efficiëntiemeting		Geen	Geen	Geen	Geen
Dagelijks stroomverbruik	kWh	2,200	2,200	2,200	2,130

INSTALLATIE

Technische gegevens

15.6 Gegevenstabel

		EIL 3 Plus				EIL 4 Plus				EIL 6 Plus				EIL 7 Plus		
		200138				200139				200140				200141		
Elektrische gegevens																
Nominale spanning	V	200	220	230	240	200	220	230	240	200	220	230	240	380	400	415
Nominaal vermogen	kW	2,7	3,2	3,53	3,8	3,3	4,0	4,4	4,8	4,3	5,2	5,7	6,2	5,9	6,5	7,0
Nominale stroom	A	13,3	14,5	15,2	15,8	16,7	18,2	19,1	20	21,6	23,6	24,7	25,8	15,5	16,3	16,9
Zekering	A	16				20				25	25	25	32	16	20	20
Frequentie	Hz	50/60				50/60				50/60				50/60	50/60	50/-
Fasen		1/N/PE				1/N/PE				1/N/PE				2/PE		
Specifieke weerstand $\rho_{15} \geq$	Ω cm	1100				1100				1100				1100		
Specifieke geleidbaarheid $\sigma_{15} \leq$	$\mu S/cm$	909				909				909				909		
Max. netimpedantie bij 50Hz	Ω									0,394	0,377	0,361				
Aansluitingen																
Wateraansluiting		G 3/8 A				G 3/8 A				G 3/8 A				G 3/8 A		
Werkingsgebied																
Max. toegelaten druk	MPa	1				1				1				1		
Waarden																
Max. toegelaten toevoertemperatuur	$^{\circ}C$	35				35				35				35		
Aan	l/min	> 1,6				> 2,0				> 2,6				> 2,6		
Drukverlies bij debiet	MPa	0,05				0,06				0,08				0,08		
Debiet voor drukverlies	l/min	1,6				2,0				2,6				2,6		
Debietbegrenzing bij	l/min	2,2				2,8				4,3				4,3		
Warmwateraanbieding	l/min	2,0				2,5				3,2				3,7		
$\Delta\theta$ bij aanbieding	K	25				25				25				25		
Hydraulische gegevens																
Nominale inhoud	l	0,1				0,1				0,1				0,1		

INSTALLATIE

Technische gegevens

		EIL 3 Plus	EIL 4 Plus	EIL 6 Plus	EIL 7 Plus
Uitvoeringen					
Montage onder het aftappunt		X	X	X	X
Uitvoering open		X	X	X	X
Uitvoering gesloten		X	X	X	X
Beveiligingsklasse		1	1	1	1
Isolatieblok		Kunststof	Kunststof	Kunststof	Kunststof
Verwarmingssysteem warmte-opwekker		Blankdraad	Blankdraad	Blankdraad	Blankdraad
Kap en achterwand		Kunststof	Kunststof	Kunststof	Kunststof
Kleur		wit	wit	wit	wit
Beschermingsgraad (IP)		IP 25	IP 25	IP 25	IP 25
Afmetingen					
Hoogte	mm	143	143	143	143
Breedte	mm	190	190	190	190
Diepte	mm	82	82	82	82
Lengte aansluitkabel	mm	700	700	700	700
Gewichten					
Gewicht	Kg	1,4	1,4	1,4	1,4



Info

Het toestel voldoet aan IEC 61000-3-12.

Garantie

Voor toestellen die buiten Duitsland zijn gekocht, gelden de garantievoorwaarden van onze Duitse ondernemingen niet. Bovendien kan in landen waar één van onze dochtermaatschappijen verantwoordelijk is voor de verkoop van onze producten, alleen garantie worden verleend door deze dochtermaatschappij. Een dergelijk garantie wordt alleen verstrekt, wanneer de dochtermaatschappij eigen garantievoorwaarden heeft gepubliceerd. In andere situaties wordt er geen garantie verleend.

Voor toestellen die in landen worden gekocht waar wij geen dochtermaatschappijen hebben die onze producten verkopen, verlenen wij geen garantie. Een eventueel door de importeur verzekerde garantie blijft onverminderd van kracht.

Milieu en recycling

Wij verzoeken u ons te helpen ons milieu te beschermen. Doe de materialen na het gebruik weg overeenkomstig de nationale voorschriften.

ZVLÁŠTNÍ POKYNY

OBSLUHA

1. Obecné pokyny	70
1.1 Bezpečnostní pokyny	70
1.2 Jiné symboly použité v této dokumentaci	71
1.3 Měrné jednotky	71
2. Zabezpečení	72
2.1 Správné používání	72
2.2 Všeobecné bezpečnostní pokyny	72
2.3 Kontrolní symbol	72
3. Popis přístroje	73
4. Nastavení	73
5. Čištění, péče a údržba	73
6. Odstranění problémů	74

INSTALACE

7. Zabezpečení	74
7.1 Všeobecné bezpečnostní pokyny	74
7.2 Předpisy, normy a ustanovení	75
8. Popis přístroje	75
8.1 Rozsah dodávky	75
8.2 Příslušenství	75
9. Příprava	76
10. Montáž	76
10.1 Místo montáže	76
10.2 Alternativy montáže	76

10.3 Připojení přívodu elektrické energie	79
11. Uvedení do provozu	79
11.1 První uvedení do provozu	79
11.2 Předání přístroje	80
11.3 Opětovné uvedení do provozu	80
12. Uvedení mimo provoz	80
13. Odstraňování poruch	80
14. Údržba	81
14.1 Vypuštění přístroje	81
14.2 Vyčištění sítka	82
14.3 Kontroly podle VDE 0701/0702	82
14.4 Uložení přístroje	82
14.5 Výměna přívodního vedení u EIL 6 Plus	82
15. Technické údaje	83
15.1 Rozměry	83
15.2 Schéma elektrického zapojení	83
15.3 Zvýšení teploty	85
15.4 Oblasti použití	85
15.5 Údaje ke spotřebě energie	86
15.6 Tabulka údajů	87

ZÁRUKA

ŽIVOTNÍ PROSTŘEDÍ A RECYKLACE

- Nesmí být nedosažena hodnota měrného odporu vody z vodovodní sítě (viz kapitola „Instalace / Technické údaje / Tabulka s technickými údaji“).
- Vypusťte přístroj způsobem podle popisu v kapitole „Instalace / Údržba / Vypuštění přístroje“.

OBSLUHA

1. Obecné pokyny

Kapitola „Obsluha“ je určena uživatelům přístroje a instalačním technikům.

Kapitola „Instalace“ je určena instalačním technikům.



Upozornění

Dříve, než zahájíte provoz, si pozorně přečtěte tento návod a pečlivě jej uschovejte.

Případně předejte návod dalšímu uživateli.

1.1 Bezpečnostní pokyny

1.1.1 Struktura bezpečnostních pokynů






UVOZUJÍCÍ SLOVO - Druh nebezpečí

Zde jsou uvedeny možné následky nedodržení bezpečnostních pokynů.

► Zde jsou uvedena opatření k odvrácení nebezpečí.

1.1.2 Symboly, druh nebezpečí

Symbol	Druh nebezpečí
	Úraz
	Úraz elektrickým proudem
	Popálení (popálení, opaření)

1.1.3 Uvozující slova

UVOZUJÍCÍ SLOVO	Význam
NEBEZPEČÍ	Pokyny, jejichž nedodržení má za následek vážné nebo smrtelné úrazy.
VÝSTRAHA	Pokyny, jejichž nedodržení může mít za následek vážné nebo smrtelné úrazy.
POZOR	Pokyny, jejichž nedodržení může mít za následek středně vážné nebo lehké úrazy.

1.2 Jiné symboly použité v této dokumentaci



Upozornění

Pokyny jsou odděleny vodorovnými čarami nad a pod textem. Obecné pokyny jsou označeny symbolem zobrazeným vedle.

► Texty upozornění čtěte pečlivě.

Symbol



Věcné škody

(poškození přístroje, následné škody, poškození životního prostředí)



Likvidace přístroje

► Tento symbol vás vyzývá k určitému jednání. Potřebné úkony jsou popsány po jednotlivých krocích.

1.3 Měrné jednotky



Upozornění

Pokud není stanoveno jinak, jsou rozměry uvedeny v milimetrech.

2. Zabezpečení

2.1 Správné používání

Přístroj je určen k použití v domácnostech. Mohou jej tedy bezpečně obsluhovat neškolené osoby. Lze jej používat i mimo domácnosti, např. v drobném průmyslu, pokud je provozován stejným způsobem jako v domácnostech.

Přístroj slouží k ohřevu pitné vody. Přístroj je určen pro umyvadlo k mytí rukou.

Jiné použití nebo použití nad rámec daného rozsahu je považováno za použití v rozporu s určením. K použití v souladu s určením patří také dodržování tohoto návodu a návodů k používanému příslušenství.

2.2 Všeobecné bezpečnostní pokyny



NEBEZPEČÍ - opaření

Armatura může během provozu dosáhnout teploty vyšší než 50 °C. Pokud je teplota na výtoku vyšší než 43 °C, hrozí nebezpečí opaření.



VÝSTRAHA úraz

Přístroj smí používat děti od 3 let a osoby se sníženými fyzickými, senzorickými nebo mentálními schopnostmi nebo s nedostatečnými zkušenostmi a znalostmi pouze pod dozorem, nebo poté, co byly poučeny o bezpečném používání přístroje a jsou si vědomy nebezpečí, která z jeho používání plynou. Nenechávejte děti, aby si s přístrojem hrály. Čištění a uživatelskou údržbu nesmějí provádět děti bez dozoru.



NEBEZPEČÍ - úraz elektrickým proudem

Poškozené elektrické přívodní vedení smí vyměnit pouze autorizovaný servis. Tím je vyloučeno možné ohrožení.



Věcné škody

Chraňte přístroj a armaturu před mrazem.



Věcné škody

Používejte jen dodaný speciální regulátor průtoku. Zamezte výskytu vodního kamene na výtocích z armatur (viz kapitola „Čištění, ošetřování a údržba“).

2.3 Kontrolní symbol

Viz typový štítek na přístroji.

3. Popis přístroje

Hydraulicky řízený malý průtokový ohřívač vody ohřívá vodu přímo na odběrném místě. Při otevření armatury se automaticky zapne ohřev. Vzhledem ke krátkým rozvodům vznikají malé ztráty energie a vody.

Výkon ohřevu vody závisí na teplotě studené vody, topném výkonu a průtoku.

Topný systém s holou spirálou je určen pro vodu s nízkým nebo běžným obsahem vodního kamene. Systém ohřevu je do značné míry odolný vůči usazování vápníku. Topný systém zajišťuje rychlou a efektivní přípravu teplé vody k umyvadlu.

Vestavěním dodaného speciálního regulátoru průtoku dosáhnete optimálního průtoku vody.

4. Nastavení

Jakmile otevřete teplovodní ventil na armatuře nebo aktivujete senzor sensorové armatury, topný systém přístroje se automaticky zapne. Voda se ohřívá. Teplotu vody lze upravovat armaturou.

Množství k zapnutí viz kapitola „Technické údaje/Tabulka s technickými údaji/Zapnuto“.

Zvýšení teploty

- ▶ Průtok omezte na armatuře.

Snížení teploty

- ▶ Otevřete více armaturu nebo přimíchejte více studené vody.

Po přerušení přívodu vody

Viz kapitola „Uvedení do provozu/Opětovné uvedení do provozu“.

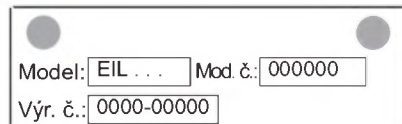
5. Čištění, péče a údržba

- ▶ Nepoužívejte abrazivní čisticí prostředky nebo prostředky obsahující rozpouštědla. K ošetřování a údržbě přístroje stačí vlhká textilie.
- ▶ Kontrolujte pravidelně armatury. Vodní kámen na výtocích z armatur odstraníte běžnými prostředky k odstranění vodního kamene.
- ▶ Nechejte odborníka pravidelně provést kontrolu elektrické bezpečnosti přístroje.
- ▶ Zbavte speciální regulátor průtoku v armatuře vodního kamene nebo jej pravidelně vyměňujte (viz kapitola „Popis přístroje / příslušenství“).

6. Odstranění problémů

Problém	Příčina	Odstranění
I když je ventil teplé vody zcela otevřen, přístroj se nezapne.	Výpadek napájení přístroje.	Zkontrolujte pojistky vnitřní instalace.
	Regulátor průtoku v armatuře je zanesen vodním kamenem nebo je znečištěn.	Očistěte speciální regulátor průtoku a/nebo zbytek vodního kamene či vyměňte.
	Je přerušen přívod vody.	Odvzdušněte přístroj a přívod studené vody (viz kapitola „Nastavení“).

Pokud nelze příčinu odstranit, kontaktujte odborníka. K získání lepší a rychlejší pomoci sdělte číslo z typového štítku (000000-0000-00000).



INSTALACE

7. Zabezpečení

Instalaci, uvedení do provozu, údržbu a opravy přístroje smí provádět pouze autorizovaný servis.

7.1 Všeobecné bezpečnostní pokyny

Řádnou funkci a spolehlivý provoz lze zaručit pouze v případě použití původního příslušenství a originálních náhradních dílů určených pro tento přístroj.



Věcné škody

Dodržujte maximální teplotu přítoku. Při vyšších teplotách může dojít k poškození přístroje. Vstupní teplotu lze snížit pomocí centrální termostatické armatury.

7.2 Předpisy, normy a ustanovení



Upozornění

Dodržujte všechny národní a místní předpisy a ustanovení.

Měrný elektrický odpor vody nesmí být menší než hodnota uvedená na typovém štítku. V případě propojení několika vodovodních sítí musíte vzít v úvahu nejnižší elektrický odpor vody (viz kapitolu „Technické údaje/Tabulka s technickými údaji“). Hodnoty měrného elektrického odporu vody nebo elektrické vodivosti vody zjistíte u vašeho dodavatele vody.

8. Popis přístroje

8.1 Rozsah dodávky

Spolu s přístrojem je dodáváno:

- Sítko v přívodu studené vody
- Speciální regulátor průtoku
- Připojovací hadice 3/8, délka 500 mm, s těsněními*
- Tvarovku T 3/8*

* pro připojení jako tlakový přístroj

8.2 Příslušenství

Speciální regulátor průtoku



Upozornění

Vestavěním dodaného speciálního regulátoru průtoku do armatury dosáhnete optimálního průtoku vody.

Armatury

- Používejte vhodné armatury.

Armatury odolné proti tlaku

Vhodné armatury odolné proti tlaku jsou k dostání u specializovaného prodejce.

Beztlaké armatury

- MAW (OT) - beztlaková nástěnná armatura
- MAZ (UT) - beztlaková dvoukohoutková armatura pro umyvadlo
- MAE (UTE) - beztlaková jednopáková umyvadlová armatura

9. Příprava

- ▶ Důkladně vypláchněte vodovodní vedení.

Vodovodní instalace

Pojistný ventil není nutný.

10. Montáž

10.1 Místo montáže

Přístroj namontujte v prostorách, ve kterých nedochází k poklesu teploty pod bod mrazu, v blízkosti odběrné armatury.

Pamatujte na přístupnost bočních upevňovacích šroubů krytů.

Toto zařízení je vhodné pouze k montáži pod umyvadlo (vodovodní přípojky nahoře).



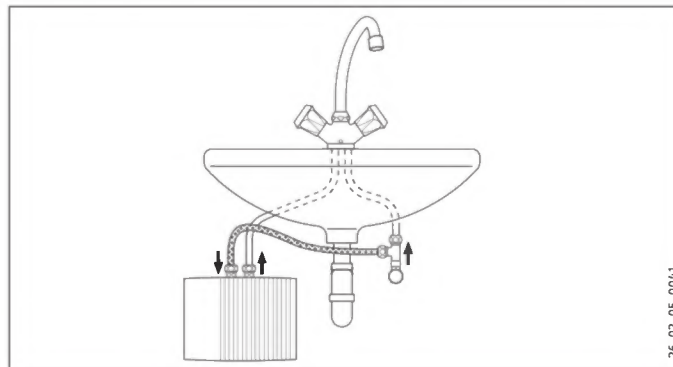
NEBEZPEČÍ - úraz elektrickým proudem

Krytí IP25 je zaručeno jen tehdy, pokud je namontována zadní stěna přístroje.

- ▶ Vždy namontujte zadní stěnu přístroje.

10.2 Alternativy montáže

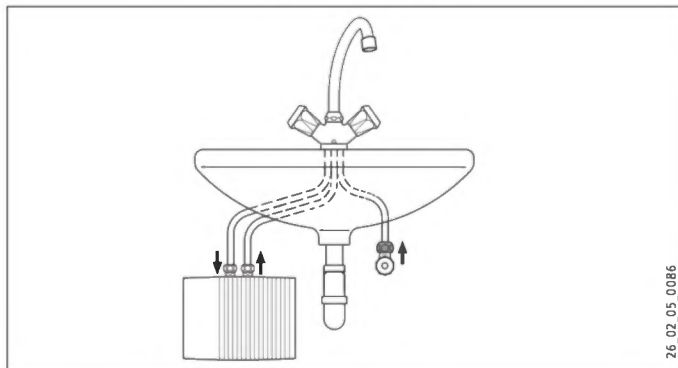
Montáž pod umyvadlo, tlaková, s tlakovou armaturou



INSTALACE

Montáž

Montáž pod umyvadlo, beztlaková, s beztlakovou armaturou



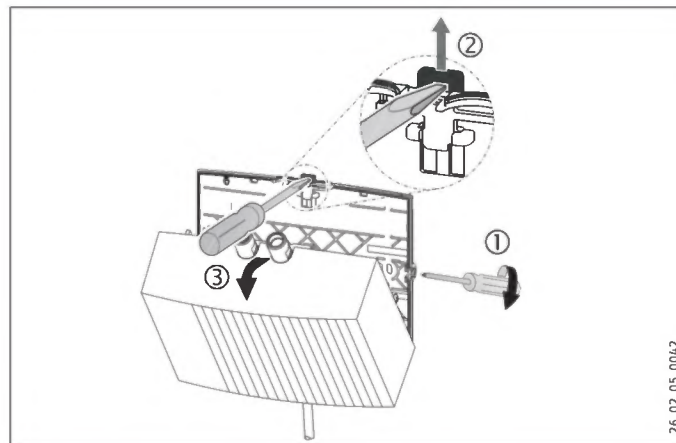
10.2.1 Montáž přístroje

- ▶ Namontujte přístroj na stěnu.



Upozornění

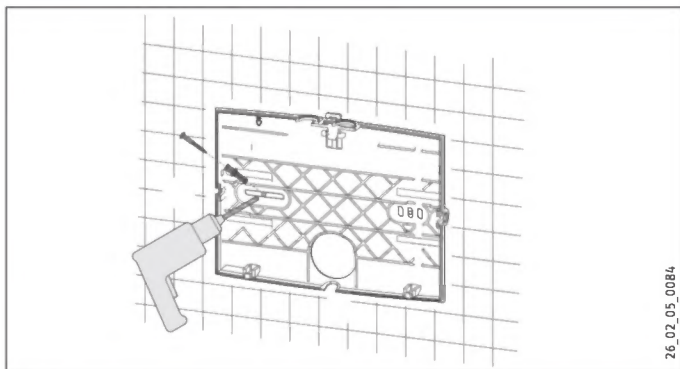
Stěna musí mít dostatečnou nosnost.



- ▶ Uvolněte upevňovací šrouby víka o dvě otáčky.
- ▶ Odblokujte západku šroubovákem.
- ▶ Sejměte víko přístroje s topným systémem směrem dopředu.
- ▶ Vylomte kleštěmi průchozí otvor ve víku přístroje pro elektrické přívodní vedení. V případě potřeby upravte okraj pilníkem.

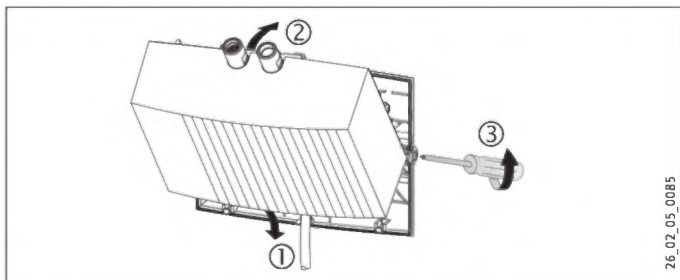
INSTALACE

Montáž



26_02_05_0084

- ▶ Jako vrtací šablonu použijte zadní stěnu přístroje.
- ▶ Připevněte zadní stěnu přístroje vhodnými hmoždinkami a šrouby ke stěně.



26_02_05_0085

- ▶ Protáhněte elektrické přívodní vedení průchodkou v zadní stěně.
- ▶ Zavěste víko přístroje s topným systémem dole.
- ▶ Zatlačte topný systém do západky.
- ▶ Upevněte víko přístroje šrouby k uchycení víka.

10.2.2 Montáž armatury



Věcné škody

Při montáži všech přípojek je nutné na přístroji použít k přidržování klíč SW 14.

Připojení odolné proti tlaku

- ▶ Namontujte dodanou připojovací hadici 3/8 a tvarovku T 3/8.
- ▶ Namontujte armaturu. Dodržujte přitom návod k obsluze a instalaci armatury.

Připojení bez tlaku

- ▶ Namontujte armaturu. Dodržujte přitom návod k obsluze a instalaci armatury.

10.3 Připojení přívodu elektrické energie



NEBEZPEČÍ - úraz elektrickým proudem
Veškerá elektrická zapojení a instalace provádějte podle předpisů.



NEBEZPEČÍ - úraz elektrickým proudem
Pamatujte, že přístroj musí být připojen k ochrannému vodiči.
Přístroj musí být možné odpojit od síťové přípojky na všech pólech na vzdálenost nejméně 3 mm.



NEBEZPEČÍ - úraz elektrickým proudem
Přístroje jsou v dodaném stavu vybaveny elektrickým přívodním vedením (EIL 3 Plus se zástrčkou).
Připojení k pevnému elektrickému rozvodu je možné, pokud má průřez minimálně odpovídající standardnímu napájecímu kabelu přístroje. Maximální možný průřez vedení je 3 x 6 mm².



Věcné škody
Při připojení do zásuvky s ochranným kontaktem (jde-li o přívodní vedení se zástrčkou) dbejte na to, aby zásuvka po instalaci přístroje byla volně přístupná.



Věcné škody
Dodržujte údaje uvedené na typovém štítku. Uvedené napětí se musí shodovat se síťovým napětím.

- ▶ Elektrické přívodní vedení zapojte podle schématu elektrického zapojení (viz kapitola „Technické údaje/Schéma elektrického zapojení“).

11. Uvedení do provozu

11.1 První uvedení do provozu



- ▶ Naplňte přístroj opakovaným odběrem vody na armatuře, dokud nejsou rozvodná síť a přístroj zbaveny vzduchu.
- ▶ Proveďte kontrolu těsnosti.
- ▶ Zasuňte zástrčku přívodního vedení, pokud je k dispozici, do zásuvky s ochranným kontaktem, nebo aktivujte pojistku.
- ▶ Zkontrolujte funkci přístroje.

11.2 Předání přístroje

- ▶ Vysvětlíte uživateli funkci přístroje a seznámte ho se způsobem jeho užívání.
- ▶ Upozorníte uživatele na možná rizika, především na nebezpečí opaření.
- ▶ Předejte tento návod.

11.3 Opětovné uvedení do provozu



Věcné škody

Po přerušení dodávky vody musíte přístroj opětovně uvést do provozu pomocí následujících kroků, aby nedošlo k poškození topného systému s holou spirálou.

- ▶ Odpojte přístroj od napětí. Za tímto účelem odpojte zástrčku elektrického přívodního vedení, je-li k dispozici, nebo vypněte pojistku.
- ▶ Viz kapitola „Prvotní uvedení do provozu“.

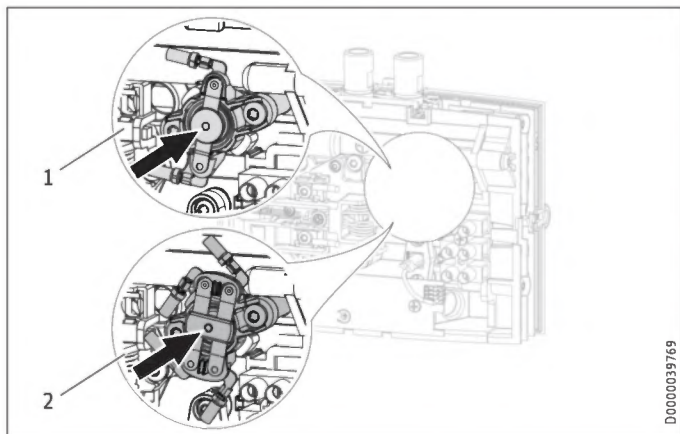
12. Uvedení mimo provoz

- ▶ Odpojte přístroj pojistkou v domovní instalaci od elektrického proudu nebo odpojte zástrčku přívodního kabelu.
- ▶ Vypustěte vodu z přístroje (viz kapitolu „Údržba“).

13. Odstraňování poruch

Problém	Příčina	Odstranění
I když je ventil teplé vody zcela otevřen, přístroj se nezapne.	Regulátor průtoku v armatuře je zanesen vodním kamenem nebo je znečištěn.	Očistěte speciální regulátor průtoku a/nebo zbavte jej vodního kamene či vyměňte.
	Sítka v přívodu studené vody je ucpané.	Uzavřete přívod studené vody a vyčistěte sítko.
	Topný systém je vadný.	Změřte odpor topného systému, případně přístroj vyměňte.
	Aktivoval se bezpečnostní omezovač tlaku.	Odstraňte příčinu závady. Vypněte přístroj a uvolněte tlak ve vodovodním potrubí. Aktivujte bezpečnostní omezovač tlaku.

Aktivace bezpečnostního omezovače tlaku



- 1 Jednólový bezpečnostní omezovač tlaku EIL 4 Plus / EIL 6 Plus
- 2 Dvoupólový bezpečnostní omezovač tlaku EIL 3 Plus / EIL 7 Plus

14. Údržba



NEBEZPEČÍ - úraz elektrickým proudem
Při všech činnostech odpojte přístroj na všech pólech od sítě.

14.1 Vypuštění přístroje



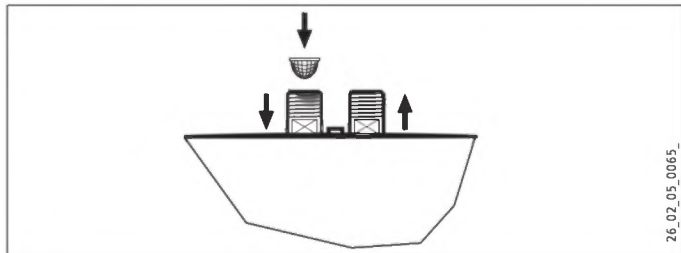
NEBEZPEČÍ - opaření
Při vypouštění může vytékat horká voda.

Pokud je nutné přístroj z důvodu údržby nebo při nebezpečí zamrznutí z důvodu ochrany kompletní instalace vyprázdnit, postupujte takto:

- ▶ Uzavřete ventil na přívodu studené vody.
- ▶ Otevřete odběrný ventil.
- ▶ Odpojte od přístroje vodovodní přípojky.

14.2 Vyčištění sítka

Vestavěné sítko lze vyčistit po demontáži přívodu studené vody.



14.3 Kontroly podle VDE 0701/0702

Kontrola ochranného vodiče

- ▶ Zkontrolujte ochranný vodič (v Německu např. DGUV A3) na kontaktu ochranného vodiče a na přípojovacích hrdlech přístroje.

Izolační odpor

- ▶ Pokud by přístroj se jmenovitým topným výkonem $> 3,5$ kW nedosáhl izolačního odporu 300 k Ω , doporučujeme zkontrolovat izolační vlastnosti tohoto přístroje měřením rozdílového proudu ochranného vodiče / svodového proudu podle VDE 0701/0702 (obrázek C.3b).

14.4 Uložení přístroje

- ▶ Demontovaný přístroj skladujte tak, aby byl chráněn před mrazem. Případně zbytky vody v přístroji mohou zmrznout a způsobit škody.

14.5 Výměna přívodního vedení u EIL 6 Plus

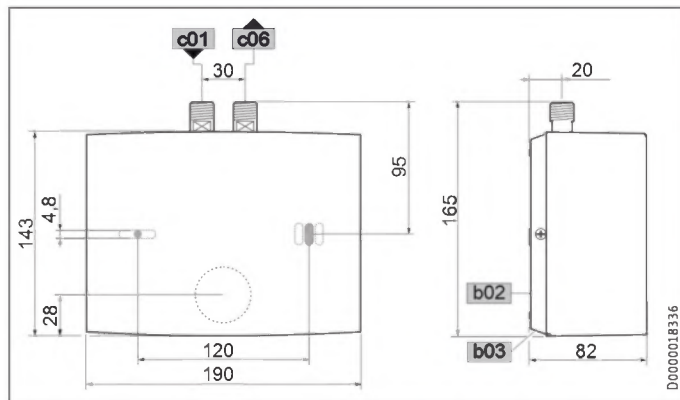
- ▶ U EIL 6 Plus musíte v případě výměny použít elektrické přívodní vedení s průřezem 4 mm 2 .

INSTALACE

Technické údaje

15. Technické údaje

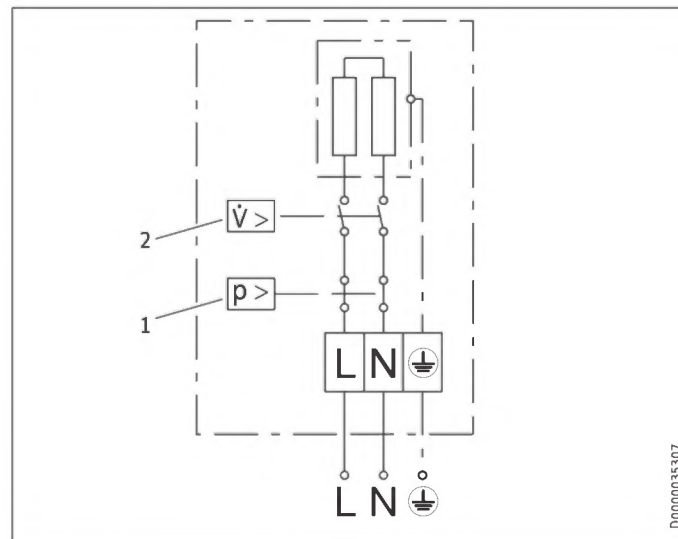
15.1 Rozměry



b02	Průchodka el. rozvodu I		
b03	Průchodka el. vodičů II		
c01	Vstup studené vody	Vnější závit	G 3/8 A
c06	Výstup teplé vody	Vnější závit	G 3/8 A

15.2 Schéma elektrického zapojení

15.2.1 EIL 3 Plus 1/N/PE ~ 200-240 V

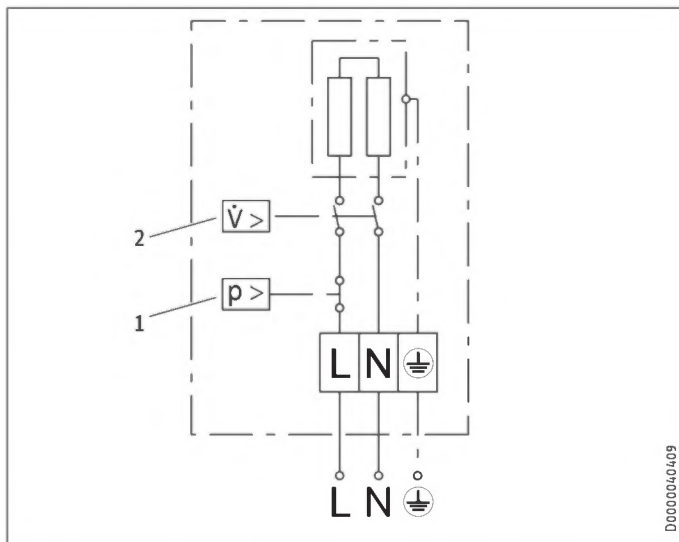


- 1 Bezpečnostní omezovač tlaku
- 2 Diferenciální tlakový spínač

INSTALACE

Technické údaje

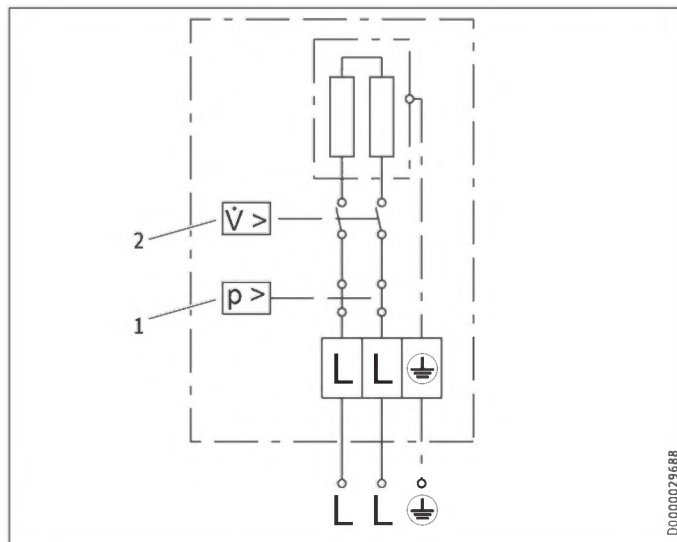
15.2.2 EIL 4 Plus a EIL 6 Plus 1/N/PE ~ 200-240 V



D0000040409

- 1 Bezpečnostní omezovač tlaku
- 2 Diferenciální tlakový spínač

15.2.3 EIL 7 Plus 2/PE ~ 380-415 V



D0000025688

- 1 Bezpečnostní omezovač tlaku
- 2 Diferenciální tlakový spínač



Věcné škody

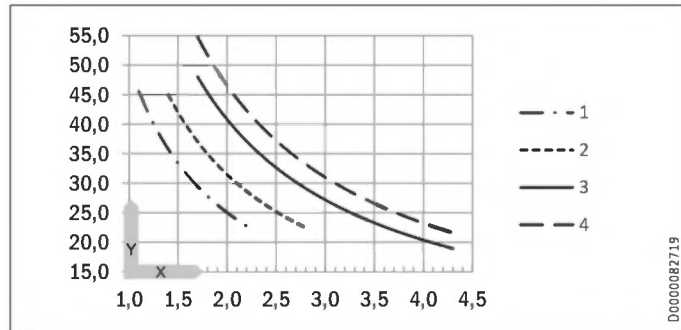
- Při pevném připojení připojte elektrické přívodní vedení podle označení na svorce se zdírkami.

INSTALACE

Technické údaje

15.3 Zvýšení teploty

Při napětí 230 V / 400 V dochází k následujícímu zvýšení teploty:



- X Průtok v l/min
 Y Zvýšení teploty v K
 1 3,5 kW - 230 V
 2 4,4 kW - 230 V
 3 5,7 kW - 230 V
 4 6,5 kW - 400 V

Příklad EIL 3 Plus s výkonem 3,5 kW

Objemový proud	l/min	2,0
Zvýšení teploty	K	25
Teplota přiváděné studené vody	°C	12
Maximální možná teplota na výstupu	°C	37

15.4 Oblasti použití

Měrný elektrický odpor a měrná elektrická vodivost viz „Tabulka s technickými údaji“.

Údaj podle normy při 15 °C		20 °C			25 °C		
Měrný odpor $\rho \geq$	Měrná vodivost $\sigma \leq$	Měrný odpor $\rho \geq$	Měrná vodivost $\sigma \leq$	Měrný odpor $\rho \geq$	Měrná vodivost $\sigma \leq$	Měrný odpor $\rho \geq$	Měrná vodivost $\sigma \leq$
$\geq \Omega \text{cm}$	mS/m	$\geq \Omega \text{cm}$	mS/m	$\geq \Omega \text{cm}$	mS/m	$\geq \Omega \text{cm}$	mS/m
1100	91	909	103	1031	895	112	1117

INSTALACE

Technické údaje

15.5 Údaje ke spotřebě energie

List technických údajů k výrobku: Běžné zařízení k přípravě teplé vody v souladu s nařízením (EU) č. 812/2013 | 814/2013

		EIL 3 Plus	EIL 4 Plus	EIL 6 Plus	EIL 7 Plus
		200138	200139	200140	200141
Výrobce		STIEBEL ELTRON	STIEBEL ELTRON	STIEBEL ELTRON	STIEBEL ELTRON
Zátěžový profil		XXS	XXS	XXS	XS
Třída energetické účinnosti		A	A	A	A
Energetická účinnost	%	39	38	39	40
Roční spotřeba el. energie	kWh	478	478	478	466
Hladina akustického výkonu	dB(A)	15	15	15	15
Zvláštní pokyny k měření účinnosti		žádné	žádné	žádné	žádné
Denní spotřeba el. energie	kWh	2,200	2,200	2,200	2,130

INSTALACE

Technické údaje

15.6 Tabulka údajů

		EIL 3 Plus				EIL 4 Plus				EIL 6 Plus				EIL 7 Plus		
		200138				200139				200140				200141		
Elektrotechnické údaje																
Jmenovité napětí	V	200	220	230	240	200	220	230	240	200	220	230	240	380	400	415
Jmenovitý výkon	kW	2,7	3,2	3,53	3,8	3,3	4,0	4,4	4,8	4,3	5,2	5,7	6,2	5,9	6,5	7,0
Jmenovitý proud	A	13,3	14,5	15,2	15,8	16,7	18,2	19,1	20	21,6	23,6	24,7	25,8	15,5	16,3	16,9
Jištění	A	16				20				25	25	25	32	16	20	20
Frekvence	Hz	50/60				50/60				50/60				50/60	50/60	50/-
Fáze		1/N/PE				1/N/PE				1/N/PE				2/PE		
Specifický odpor $\rho_{15} \geq$	$\Omega \cdot \text{cm}$	1100				1100				1100				1100		
Specifická vodivost $\sigma_{15} \leq$	$\mu\text{S}/\text{cm}$	909				909				909				909		
Max. impedance sítě při 50 Hz	Ω									0,394	0,377	0,361				
Přípojky																
Vodovodní přípojka		G 3/8 A				G 3/8 A				G 3/8 A				G 3/8 A		
Meze použitelnosti																
Max. dovolený tlak	MPa	1				1				1				1		
Hodnoty																
Max. povolená vstupní teplota vody	$^{\circ}\text{C}$	35				35				35				35		
Zap	l/min	> 1,6				> 2,0				> 2,6				> 2,6		
Tlakové ztráty při objemovém průtoku	MPa	0,05				0,06				0,08				0,08		
Objemový průtok pro tlakovou ztrátu	l/min	1,6				2,0				2,6				2,6		
Omezení průtoku při	l/min	2,2				2,8				4,3				4,3		
Výkon teplé vody	l/min	2,0				2,5				3,2				3,7		
$\Delta\theta$ při výkonu teplé vody	K	25				25				25				25		
Údaje o hydraulickém systému																
Jmenovitý objem	l	0,1				0,1				0,1				0,1		

INSTALACE

Technické údaje

		EIL 3 Plus	EIL 4 Plus	EIL 6 Plus	EIL 7 Plus
Provedení					
Způsob montáže pod umyvadlo		X	X	X	X
Beztlakové provedení		X	X	X	X
Tlakové provedení		X	X	X	X
Třída krytí		1	1	1	1
Izolační blok		plast	plast	plast	plast
Zdroj tepla topného systému		holá spirála	holá spirála	holá spirála	holá spirála
Víko a zadní stěna		plast	plast	plast	plast
Barva		bílá	bílá	bílá	bílá
Krytí (IP)		IP 25	IP 25	IP 25	IP 25
Rozměry					
Výška	mm	143	143	143	143
Šířka	mm	190	190	190	190
Hloubka	mm	82	82	82	82
Délka přívodního kabelu	mm	700	700	700	700
Hmotnosti					
Hmotnost	kg	1,4	1,4	1,4	1,4



Upozornění

Přístroj vyhovuje normě IEC 61000-3-12.

Záruka

Pro přístroje nabyté mimo území Německa neplatí záruční podmínky poskytované našimi firmami v Německu. V zemích, ve kterých některá z našich dceřiných společností distribuuje naše výrobky, poskytuje záruku jenom tato dceřiná společnost. Takovou záruku lze poskytnout pouze tehdy, pokud dceřiná společnost vydala vlastní záruční podmínky. Jinak nelze záruku poskytnout.

Na přístroje zakoupené v zemích, ve kterých nejsou naše výrobky distribuovány žádnou z dceřiných společností, neposkytujeme žádnou záruku. Případné záruky závazně přislíbené dovozcem zůstávají proto nedotčené.

Životní prostředí a recyklace

Pomozte nám chránit naše životní prostředí. Materiály po použití zlikvidujte v souladu s platnými národními předpisy.

ŠPECIÁLNE POKYNY

OBSLUHA

1. Všeobecné pokyny	92
1.1 Bezpečnostné pokyny	92
1.2 Iné označenia v tejto dokumentácii	93
1.3 Rozmerové jednotky	93
2. Bezpečnosť	94
2.1 Použitie v súlade s určením	94
2.2 Všeobecné bezpečnostné pokyny	94
2.3 Certifikačné značky	94
3. Popis zariadenia	95
4. Nastavenia	95
5. Čistenie, ošetrovanie a údržba	95
6. Odstraňovanie problémov	96

INŠTALÁCIA

7. Bezpečnosť	96
7.1 Všeobecné bezpečnostné pokyny	96
7.2 Predpisy, normy a ustanovenia	97
8. Popis zariadenia	97
8.1 Rozsah dodávky	97
8.2 Príslušenstvo	97
9. Prípravy	98
10. Montáž	98
10.1 Miesto montáže	98
10.2 Alternatívy montáže	98

10.3 Vytvorenie elektrickej prípojky	101
11. Uvedenie do prevádzky	101
11.1 Prvé uvedenie do prevádzky	101
11.2 Odovzdanie zariadenia	102
11.3 Opätovné uvedenie do prevádzky	102
12. Vyradenie z prevádzky	102
13. Odstraňovanie porúch	102
14. Údržba	103
14.1 Vypustenie zariadenia	103
14.2 Vyčistite sitko	104
14.3 Kontroly podľa VDE 0701/0702	104
14.4 Skladovanie prístroja	104
14.5 Výmena elektrických napájacích káblov na module EIL 6 Plus	104
15. Technické údaje	105
15.1 Rozmery	105
15.2 Elektrická schéma zapojenia	105
15.3 Zvýšenie teploty	107
15.4 Oblasť použitia	107
15.5 Údaje k spotrebe energie	108
15.6 Tabuľka s údajmi	109

ZÁRUKA

ŽIVOTNÉ PROSTREDIE A RECYKLÁCIA

ŠPECIÁLNE POKYNY

- Deti od 3 rokov ako aj osoby so zníženými fyzickými, sensorickými či mentálnymi schopnosťami, alebo osoby s nedostatočnými skúsenosťami a vedomosťami môžu zariadenie používať pod dozorom, prípadne ak boli o bezpečnom používaní zariadenia poučené a porozumeli z toho vyplývajúcim nebezpečenstvám. Deti sa so zariadením nesmú hrať. Čistenie a používateľskú údržbu nesmú vykonávať deti bez dozoru.
- Armatúra môže počas prevádzky nadobudnúť teplotu viac ako 50 °C. Pri výtokových teplotách vyšších než 43 °C vzniká nebezpečenstvo obarenia.
- Prístroj nie je vhodný na zásobovanie sprchy (sprchový režim).
- Zariadenie sa musí dať odpojiť od siete všetkými pólmi s minimálnou odpojovacou vzdialenosťou 3 mm.
- Uvedené napätie sa musí zhodovať so sieťovým napätím.
- Prístroj musí byť trvalo pripojený na pevnú kabeláž, s výnimkou modulu EIL 3 Plus.
- Pri poškodení alebo výmene môže sieťový pripojovací kábel nahradiť originálnym náhradným dielom iba odborný inštalatér oprávnený výrobcom.
- Upevnite prístroj tak, ako je popísané v kapitole „Inštalácia / Montáž“.
- Dodržiavajte maximálny prípustný tlak (pozri kapitolu „Technické údaje / Tabuľka s údajmi“).

- Nesmie dôjsť k poklesu hodnoty pod špecifický vodný odpor vodovodnej zásobovacej siete (pozri kapitolu „Inštalácia / Technické údaje / Tabuľka s údajmi“).
- Vypustíte zariadenie tak, ako je popísané v kapitole „Inštalácia / Údržba / Vypustenie zariadenia“.

OBSLUHA

1. Všeobecné pokyny

Kapitola Obsluha je určená používateľovi prístroja a odbornému remeselníkovi.

Kapitola „Inštalácia“ je určená odbornému montážnikovi.



Upozornenie

Pred použitím si dôkladne prečítajte tento návod a uschovejte ho.

Tento návod prípadne odovzdajte nasledujúcemu používateľovi.

1.1 Bezpečnostné pokyny

1.1.1 Štruktúra bezpečnostných pokynov



SIGNÁLNE SLOVO Druh nebezpečenstva




Tu sú uvedené možné následky pri nerešpektovaní bezpečnostných pokynov.

► Tu sú uvedené opatrenia na odvrátenie nebezpečenstva.

OBSLUHA

Všeobecné pokyny

1.1.2 Symboly, druh nebezpečenstva

Symbol	Druh nebezpečenstva
	Poranenie
	Zásah elektrickým prúdom
	Popálenie (popálenie, obarenie)

1.1.3 Signálne slová

SIGNÁLNE SLOVO	Význam
NEBEZPEČEN-STVO	Pokyny, ktorých nedodržiavanie má za následok ťažké poranenia alebo smrť.
VÝSTRAHA	Pokyny, ktorých nerešpektovanie môže mať za následok ťažké poranenia alebo smrť.
POZOR	Pokyny, ktorých nedodržiavanie môže viesť k stredne ťažkým alebo ľahkým poraneniam.

1.2 Iné označenia v tejto dokumentácii



Upozornenie

Upozornenia sú ohraničené horizontálnymi čiarami nad a pod textom. Všeobecné pokyny sú označené vedľa uvedeným symbolom.

► Pozorne si prečítajte texty upozornení.

Symbol



Vecné škody
(škody na zariadení, následné škody, škody na životnom prostredí)



Likvidácia zariadenia

► Tento symbol vám signalizuje, že musíte niečo urobiť. Potreb-
né postupy sú popísané krok za krokom.

1.3 Rozmerové jednotky



Upozornenie

Ak nie je uvedené inak, použitá jednotka miery je mili-
meter.

2. Bezpečnosť

2.1 Použitie v súlade s určením

Zariadenie je určené na používanie v domácom prostredí. Bezpečne ho môžu používať aj osoby, ktoré neboli o používaní poučené. Zariadenie sa môže používať aj v inom ako domácom prostredí, napr. v malých prevádzkach, ak sa používa rovnakým spôsobom.

Prístroj slúži na ohrev pitnej vody. Prístroj je určený pre umývadlo.

Iné použitie alebo použitie nad určený rámec sa pokladá za použitie v rozpore s určením. K použitiu v súlade s určením patrí aj dodržiavanie tohto návodu, ako aj návodov pre použité príslušenstvo.

2.2 Všeobecné bezpečnostné pokyny



NEBEZPEČENSTVO Obarenie

Armatúra môže počas prevádzky nadobudnúť teplotu viac ako 50 °C. Pri výtokových teplotách vyšších než 43 °C vzniká nebezpečenstvo obarenia.



VÝSTRAHA Poranenie

Deti od 3 rokov ako aj osoby so zníženými fyzickými, senzorickými či mentálnymi schopnosťami, alebo osoby s nedostatočnými skúsenosťami a vedomosťami môžu zariadenie používať pod dozorom, prípadne ak boli o bezpečnom používaní zariadenia poučené a porozumeli z toho vyplývajúcim nebezpečenstvám. Deti sa so zariadením nesmú hrať. Čistenie a používateľskú údržbu nesmú vykonávať deti bez dozoru.



NEBEZPEČENSTVO Zásah elektrickým prúdom

Poškodené elektrické napájacie káble musí vymeniť odborný remeselník. Vďaka tomu sa vylúči možné ohrozenie.



Materiálne škody

Prístroj a armatúru chráňte pred mrazom.



Materiálne škody

Používajte iba dodaný špeciálny prúdový regulátor. Predchádzajte zaväpnutiu výtokov armatúry (pozri kapitolu „Čistenie, ošetrovanie a údržba“).

2.3 Certifikačné značky

Pozri typový štítok na zariadení.

3. Popis zariadenia

Hydraulicky riadený mini prietokový ohrievač ohrieva vodu priamo na odbernom mieste. Pri otvorení armatúry sa automaticky zapne ohrievací výkon. Vďaka krátkym rozvodom dochádza k minimálnym energetickým a tepelným stratám.

Teplovodný výkon závisí od teploty studenej vody, ohrievacieho výkonu a prietokového množstva.

Ohrievací systém neizolovaným vodičom je určený pre vodu s vysokým aj nízkym obsahom vápnika. Ohrevný systém je do veľkej miery odolný voči zavrúpaniu. Ohrevný systém zabezpečuje rýchlu a efektívnu prípravu teplej vody pre umývadlo.

Namontovaním priloženého špeciálneho prúdového regulátora dosiahnete optimálny prúd vody.

4. Nastavenia

Hneď ako otvoríte teplovodný ventil na armatúre alebo aktivujete snímač senzorevej armatúry, automaticky sa zapne ohrevný systém prístroja. Voda sa ohreje. Teplotu vody môžete meniť pomocou armatúry:

Zapínacie množstvo pozri v kapitole Technické údaje / Tabuľka s údajmi / Zapnutie.

Zvýšenie teploty

- Pomocou armatúry znížte prietokové množstvo.

Zníženie teploty

- Otvorte viac armatúru alebo primiešajte viac studenej vody.

Po prerušení zásobovania vodou

Pozri kapitolu Uvedenie do prevádzky / Opätovné uvedenie do prevádzky.

5. Čistenie, ošetrovanie a údržba

- Nepoužívajte čistiace prostriedky s obsahom abrazívnych látok alebo rozpúšťadiel. Na ošetrovanie a čistenie zariadenia vám postačí vlhká utierka.
- Pravidelne kontrolujte armatúry. Vápnik na výtoku armatúr môžete odstrániť pomocou bežných odvápnovacích prostriedkov.
- Nechajte odborného montážnika pravidelne skontrolovať elektrickú bezpečnosť na zariadení.
- Špeciálny prúdový regulátor v armatúre pravidelne odvápnite alebo ho vymieňajte za nový (pozri kapitolu Popis prístroja / Príslušenstvo).

6. Odstraňovanie problémov

Problém	Príčina	Odstránenie
Zariadenie sa aj napriek úplne otvorenému teplovodnému ventilu nezapína.	Na zariadení nie je prítomné žiadne napätie.	Skontrolujte poistku domovej inštalácie.
	Prúdový regulátor v armatúre je zavápný alebo zanesený.	Vyčistite a/alebo odvápnite prúdový regulátor alebo ho vymeňte za nový.
	Zásobovanie vodou je prerušené.	Odvzdušnite prístroj a prívod studenej vody (pozri kapitolu Nastavenia).

Ak neviete príčinu odstrániť, zavolajte odborného montážnika. Kvôli lepšej a rýchlejšej pomoci uveďte číslo z typového štítku (000000-0000-00000).

Model:	<input type="text" value="EIL . . ."/>	E-č.:	<input type="text" value="000000"/>
F-č.:	<input type="text" value="0000-00000"/>		

INŠTALÁCIA

7. Bezpečnosť

Inštaláciu, uvedenie do prevádzky ako aj údržbu a opravu zariadenia smie vykonávať iba odborný montážnik.

7.1 Všeobecné bezpečnostné pokyny

Bezchybnú funkciu a prevádzkovú bezpečnosť zaručujeme len vtedy, ak sa používa originálne príslušenstvo a originálne náhradné diely, ktoré sú pre prístroj určené.



Materiálne škody

Dodržiavajte maximálnu prípustnú prívodnú teplotu. Pri vyšších teplotách sa zariadenie môže poškodiť. Prostredníctvom centrálnej termostatickej armatúry môžete obmedziť prívodnú teplotu.

7.2 Predpisy, normy a ustanovenia



Upozornenie

Dbajte na všetky vnútroštátne a regionálne predpisy a ustanovenia.

Špecifický elektrický odpor vody nesmie byť nižší ako jeho hodnota uvedená na typovom štítku. Pri prepojenej vodovodnej sieti musíte zohľadňovať najnižší elektrický odpor vody (pozri kapitolu Technické údaje / Tabuľka s údajmi). Špecifický elektrický odpor alebo elektrickú vodivosť vody sa dozviete od vodárenskej spoločnosti, ktorá vás zásobuje vodou.

8. Popis zariadenia

8.1 Rozsah dodávky

So zariadením sa dodáva:

- Sito v prívide studenej vody
- Špeciálny prúdový regulátor
- Pripojovacia hadica, dĺžka 3/8, 500 mm, s tesneniami*
- T-kus 3/8*

* pri pripojení tlakového prístroja

8.2 Príslušenstvo

Špeciálny prúdový regulátor



Upozornenie

Namontovaním špeciálneho prúdového regulátora do armatúry dosiahnete optimálny prúd vody.

Armatúry

- Použite vhodné armatúry.

Tlakové armatúry

Vhodné tlakové armatúry sú dostupné v profesionálnych predajniach.

Beztlakové armatúry

- MAW (OT) – beztlaková stenová armatúra
- MAZ (UT) – beztlaková dvojkohútiková umývadlová armatúra
- MAE (UTE) – beztlaková jednopáková umývadlová armatúra

9. Prípravy

- ▶ Vodovodné potrubie dobre prepláchnite.

Vodovodná inštalácia

Poistný ventil sa nevyžaduje.

10. Montáž

10.1 Miesto montáže

Prístroj montujte vždy v nezamrzajúcej miestnosti v blízkosti odberného miesta.

Dbajte na dobrý prístup k bočným upevňovacím skrutkám krytu.

Prístroj je vhodný iba na montáž pod umývadlo (vodovodné prípojky hore).

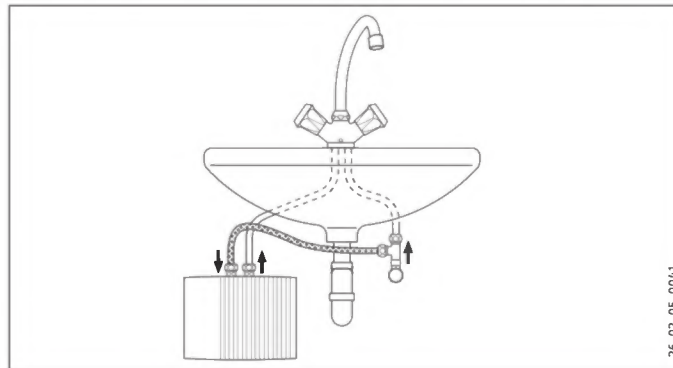


NEBEZPEČENSTVO Zásah elektrickým prúdom
Druhy krytia IP25 je prítomný iba pri namontovanej zadnej stene prístroja.

- ▶ Vždy namontujte zadnú stenu prístroja.

10.2 Alternatívy montáže

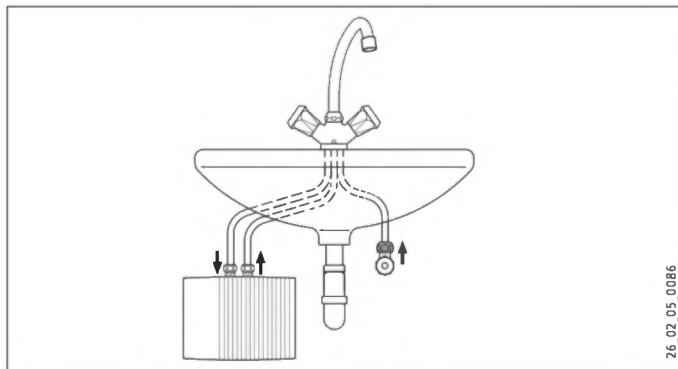
Montáž pod umývadlo, tlaková, s tlakovou armatúrou



INŠTALÁCIA

Montáž

Montáž pod umývadlo, beztlaková, s beztlakovou armatúrou



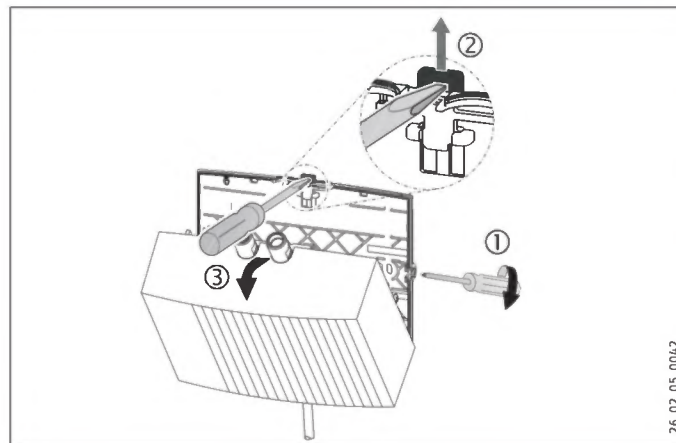
10.2.1 Montáž zariadenia

- ▶ Namontujte zariadenie na stenu.



Upozornenie

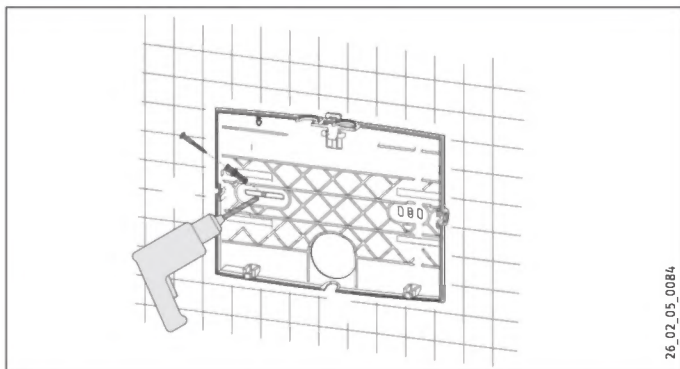
Stena musí byť dostatočne nosná.



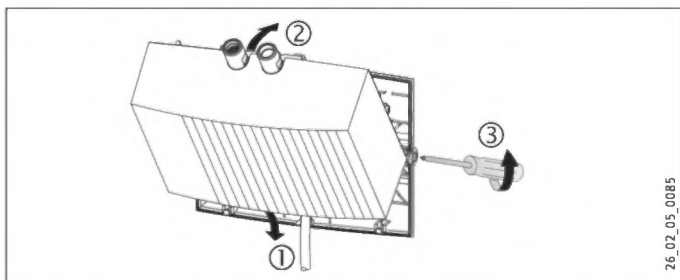
- ▶ Uvoľnite upevňovacie skrutky krytu o dve otáčky.
- ▶ Odblokujte zaskakovací uzáver pomocou skrutkovača.
- ▶ Kryt prístroja vyberte spolu s ohrevným systémom smerom dopredu.
- ▶ Pomocou klieští vylomte v kryte prístroja priechodový otvor pre elektrické napájacie káble. Otvor prípadne upravte pilníkom.

INŠTALÁCIA

Montáž



- ▶ Ako vŕtaciú šablónu použijete zadnú stenu prístroja.
- ▶ Zadnú stenu prístroja upevnite na stenu pomocou vhodných hmoždínok a skrutiek.



- ▶ Elektrické napájacie káble vložte do priechodkového otvoru zadnej steny.
- ▶ Kryt prístroja spolu s ohrevným systémom dolu zaháknite.
- ▶ Ohrevný systém zaklapnite v zaskakovacom uzávere.
- ▶ Kryt prístroja upevnite pomocou upevňovacích skrutiek krytu.

10.2.2 Montáž armatúry



Materiálne škody

Počas montáže všetkých prípojok musíte pomocou kľúča SW 14 vytvárať protipohyb.

Tlaková prípojka

- ▶ Namontujte dodanú pripojovaciu hadicu 3/8 a T-kus 3/8.
- ▶ Namontujte armatúru. Dodržiavajte pritom návod na obsluhu a inštaláciu armatúry.

Beztlaková prípojka

- ▶ Namontujte armatúru. Dodržiavajte pritom návod na obsluhu a inštaláciu armatúry.

10.3 Vytvorenie elektrickej prípojky



NEBEZPEČENSTVO Zásah elektrickým prúdom
Všetky práce na elektrickom pripojení a elektrické inštalčné práce vykonávajte podľa predpisov.



NEBEZPEČENSTVO Zásah elektrickým prúdom
Dbajte na to, aby zariadenie bolo pripojené na ochranný vodič.
Zariadenie sa musí dať odpojiť od siete všetkými pólmi s minimálnou odpojovacou vzdialenosťou 3 mm.



NEBEZPEČENSTVO Zásah elektrickým prúdom
Prístroje sú v stave pri dodaní vybavené elektrickým napájacím káblom (EIL 3 Plus so zástrčkou).
Pripojenie na pevné elektrické vedenie je možné, ak káble majú prierez minimálne ako sériové napájacie káble prístroja. Maximálny možný prierez káblov je 3 x 6 mm².



Materiálne škody

Pri pripojení do zásuvky s ochranným kontaktom (v prípade elektrických napájacích káblov so zástrčkou) dbajte na to, aby bola zásuvka s ochranným kontaktom po inštalácii prístroja voľne prístupná.



Materiálne škody

Dbajte na typový štítok. Uvedené napätie sa musí zhodovať so sieťovým napätím.

- ▶ Elektrický napájací kábel pripojte podľa elektrickej schémy zapojenia (pozri kapitolu Technické údaje / Elektrická schéma zapojenia).

11. Uvedenie do prevádzky

11.1 Prvé uvedenie do prevádzky



- ▶ Viacnásobným otvorením armatúry plňte prístroj, až kým sa potrubná sieť a prístroj neodvzdušnia.
- ▶ Vykonajte kontrolu tesnosti.
- ▶ Zasuňte zástrčku elektrických napájacích káblov, ak je k dispozícii, do zásuvky s ochranným kontaktom alebo zapnite poistku.
- ▶ Skontrolujte činnosť zariadenia.

11.2 Odovzdanie zariadenia

- ▶ Vysvetlite funkciu zariadenia používateľovi a oboznámte ho s jeho používaním.
- ▶ Poučte ho o možných nebezpečenstvách, osobitne o nebezpečenstve obarenia.
- ▶ Odovzdajte tento návod.

11.3 Opätovné uvedenie do prevádzky



Materiálne škody

Po prerušení zásobovania vodou musí byť prístroj pomocou nasledujúcich krokov opäť uvedený do prevádzky, aby sa nezničil ohrevný systém holým drôtom.

- ▶ Vypnite prístroj do beznapätového stavu. Na tento účel vytiahnite zástrčku elektrického napájacieho kábla, ak je k dispozícii, alebo vypnite poistku.
- ▶ Pozri kapitolu Prvé uvedenie do prevádzky.

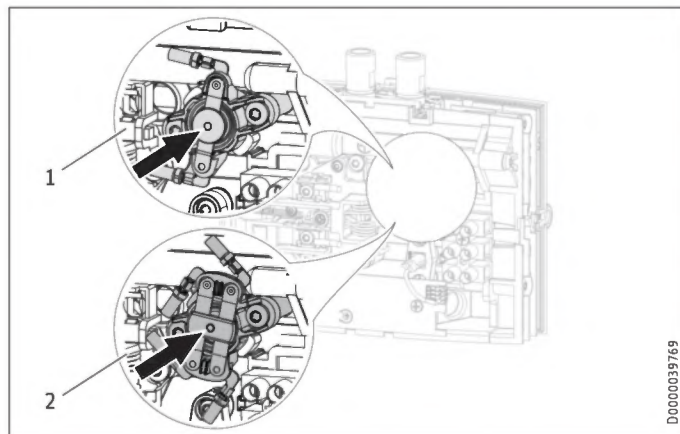
12. Vyradenie z prevádzky

- ▶ Pomocou poistky v domovej inštalácii odpojte prístroj od sieťového napätia alebo vytiahnite zástrčku elektrických napájacích káblov.
- ▶ Vyprázdnite prístroj (pozri kapitolu Údržba).

13. Odstraňovanie porúch

Problém	Príčina	Odstránenie
Zariadenie sa aj napriek úplne otvorenému teplovodnému ventilu nezapína.	Prúdový regulátor v armatúre je zavápený alebo zanesený.	Vyčistite a/alebo odvápnite prúdový regulátor alebo ho vymeňte za nový.
	Sito v prívode studenej vody je upchaté.	Vyčistite sito po zatvorení prívodu studenej vody.
	Ohrevný systém je chybný.	Odmerajte odpor ohrevného systému, príp. vymeňte prístroj.
	Bezpečnostný tlakový spínač zareagoval.	Odstráňte príčinu chyby. Odpojte prístroj od napätia a odpustením vody znížte tlak v potrubí. Aktivujte bezpečnostný tlakový spínač.

Aktivácia bezpečnostného tlakového spínača



- 1 1-pólový bezpečnostný tlakový spínač EIL 4 Plus / EIL 6 Plus
- 2 2-pólový bezpečnostný tlakový spínač EIL 3 Plus / EIL 7 Plus

14. Údržba



NEBEZPEČENSTVO Zásah elektrickým prúdom
Pri všetkých prácach odpojte všetky póly zariadenia od sieťového pripojenia.

14.1 Vypustenie zariadenia



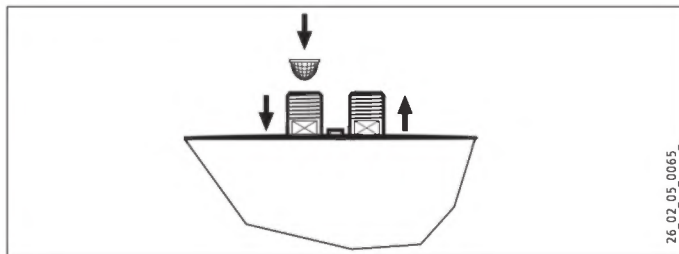
NEBEZPEČENSTVO Obarenie
Pri vypúšťaní môže vytekať horúca voda.

Ak treba prístroj vyprázdniť kvôli údržbovým prácam alebo kvôli nebezpečenstvu mrazu s cieľom ochrany celej inštalácie, postupujte nasledovne:

- ▶ Zatvorte uzatvárací ventil v prívode studenej vody.
- ▶ Otvorte odberový ventil.
- ▶ Odpojte vodovodné prípojky od prístroja.

14.2 Vyčistite sitko

Zabudované sito môžete vyčistiť po demontáži prípojného vedenia studenej vody.



14.3 Kontroly podľa VDE 0701/0702

Kontrola ochranného vodiča

- ▶ Skontrolujte ochranný vodič (v Nemecku napr. DGUV A3) na kontakte ochranného vodiča elektrických napájacích káblov a na prípojnom hrdle prístroja.

Izolačný odpor

- ▶ V prípade, že by prístroj s menovitým ohrevným výkonom > 3,5 kW nedosiahol izolačný odpor 300 k Ω , odporúčame nastaviť izolačné vlastnosti tohto prístroja zmeraním rozdielového prúdu pre prúd ochranného vodiča/zvodový prúd podľa VDE 0701/0702 (obrázok C.3b).

14.4 Skladovanie prístroja

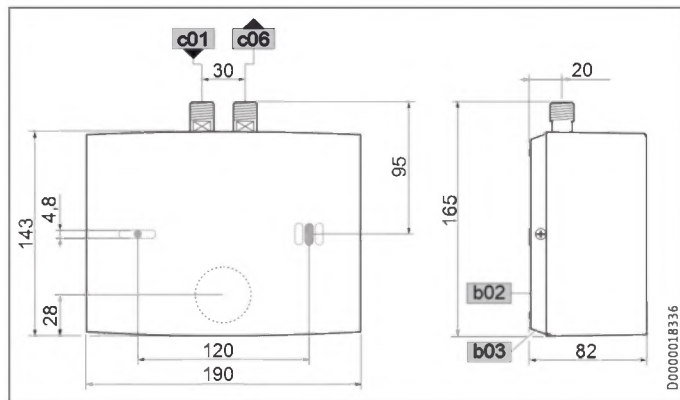
- ▶ Demontované zariadenie neskladujte v mraze, pretože sa v ňom nachádza zvyšková voda, ktorá môže zamrznúť a spôsobiť škody.

14.5 Výmena elektrických napájacích káblov na module EIL 6 Plus

- ▶ V prípade výmeny sa na module EIL 6 Plus musí použiť elektrický napájací kábel s prierezom 4 mm².

15. Technické údaje

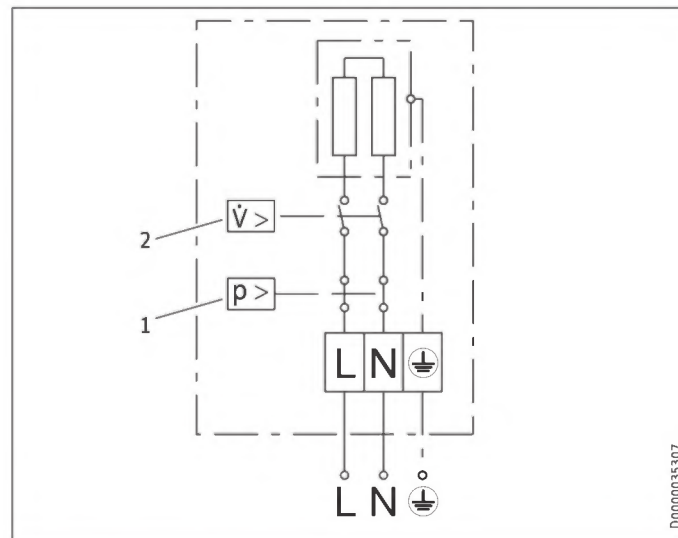
15.1 Rozmery



b02	Priechodka elektr. vedení I		
b03	Priechodka elektr. vedení II		
c01	Studená voda prívod	Vonkajší závit	G 3/8 A
c06	Teplá voda výtok	Vonkajší závit	G 3/8 A

15.2 Elektrická schéma zapojenia

15.2.1 EIL 3 Plus 1/N/PE ~ 200-240 V

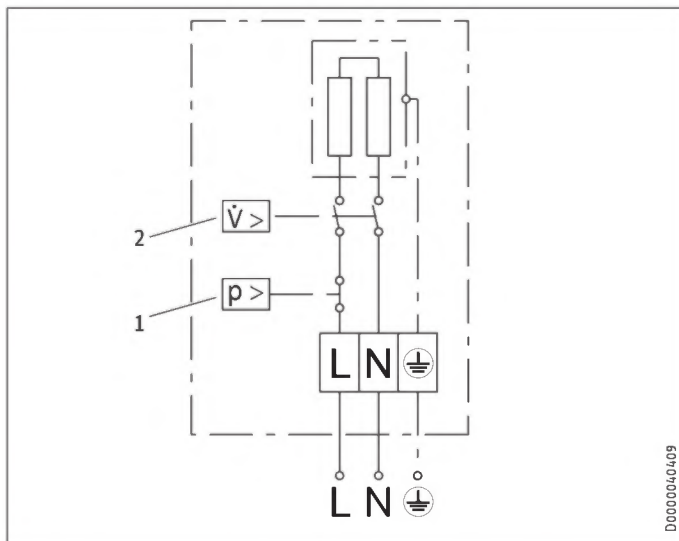


- 1 Bezpečnostný tlakový spínač
- 2 Spínač tlakového rozdielu

INŠTALÁCIA

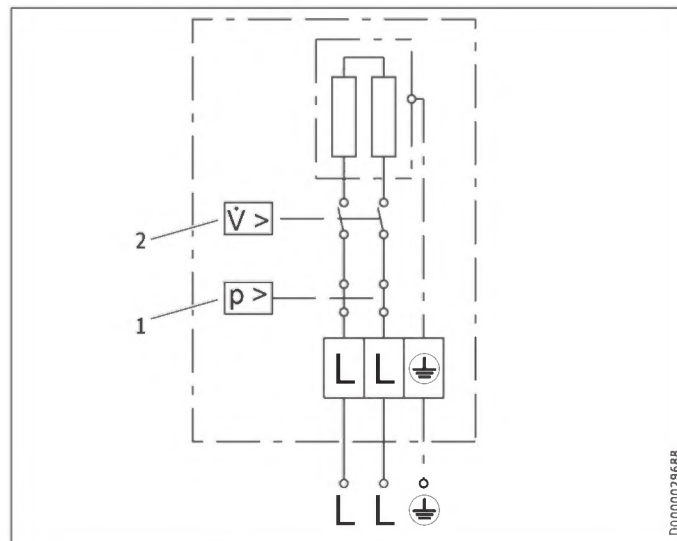
Technické údaje

15.2.2 EIL 4 Plus a EIL 6 Plus 1/N/PE ~ 200-240 V



- 1 Bezpečnostný tlakový spínač
- 2 Spínač tlakového rozdielu

15.2.3 EIL 7 Plus 2/PE ~ 380-415 V



- 1 Bezpečnostný tlakový spínač
- 2 Spínač tlakového rozdielu



Materiálne škody

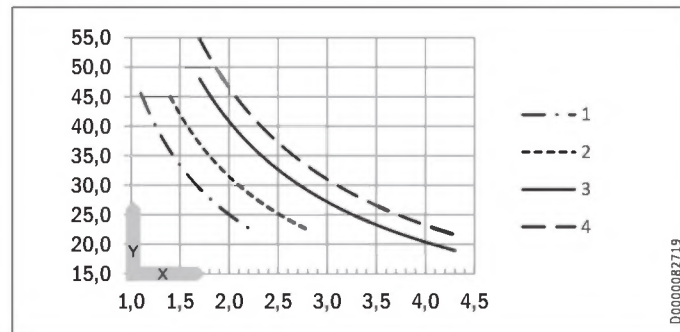
- Pri pevnom pripojení pripojte elektrické napájacie káble podľa označenia svoriek zdierkovej svorky.

INŠTALÁCIA

Technické údaje

15.3 Zvýšenie teploty

Nasledujúce zvýšenia teploty sa dosahujú pri napätí 230 V / 400 V:



X Objemový prietok v l/min.

Y Zvýšenie teploty v K

1 3,5 kW – 230 V

2 4,4 kW – 230 V

3 5,7 kW – 230 V

4 6,5 kW – 400 V

Príklad EIL 3 Plus s 3,5 kW

Objemový prietok	l/min	2,0
Zvýšenie teploty	K	25
Vstupná teplota studenej vody	°C	12
Maximálna možná výtoková teplota	°C	37

15.4 Oblasti použitia

Špecifický elektrický odpor a špecifická elektrická vodivosť, pozri Tabuľka s údajmi.

Normalizovaný údaj pri 15 °C			20 °C			25 °C		
Špec. odpor $\rho \geq$	Špec. vodivosť $\sigma \leq$	$\mu\text{S/cm}$	Špec. odpor $\rho \geq$	Špec. vodivosť $\sigma \leq$	$\mu\text{S/cm}$	Špec. odpor $\rho \geq$	Špec. vodivosť $\sigma \leq$	$\mu\text{S/cm}$
Ωcm	mS/m	$\mu\text{S/cm}$	Ωcm	mS/m	$\mu\text{S/cm}$	Ωcm	mS/m	$\mu\text{S/cm}$
1100	91	909	970	103	1031	895	112	1117

INŠTALÁCIA

Technické údaje

15.5 Údaje k spotrebe energie

Informačný list výrobku: Konvenčný ohrievač vody podľa nariadenia (EÚ) č. 812/2013 | 814/2013

		EIL 3 Plus	EIL 4 Plus	EIL 6 Plus	EIL 7 Plus
		200138	200139	200140	200141
Výrobca		STIEBEL ELTRON	STIEBEL ELTRON	STIEBEL ELTRON	STIEBEL ELTRON
Záťažový profil		XXS	XXS	XXS	XS
Trieda energetickej účinnosti		A	A	A	A
Energetická účinnosť	%	39	38	39	40
Ročná spotreba el. energie	kWh	478	478	478	466
Hladina akustického výkonu	dB(A)	15	15	15	15
Špeciálne poznámky k meraniu účinnosti		žiadne	žiadne	žiadne	žiadne
Denná spotreba el. energie	kWh	2,200	2,200	2,200	2,130

INŠTALÁCIA

Technické údaje

15.6 Tabuľka s údajmi

		EIL 3 Plus				EIL 4 Plus				EIL 6 Plus				EIL 7 Plus		
		200138				200139				200140				200141		
Elektrické údaje																
Menovité napätie	V	200	220	230	240	200	220	230	240	200	220	230	240	380	400	415
Príkion	kW	2,7	3,2	3,53	3,8	3,3	4,0	4,4	4,8	4,3	5,2	5,7	6,2	5,9	6,5	7,0
Menovitý prúd	A	13,3	14,5	15,2	15,8	16,7	18,2	19,1	20	21,6	23,6	24,7	25,8	15,5	16,3	16,9
Poistka	A	16				20				25	25	25	32	16	20	20
Frekvencia	Hz	50/60				50/60				50/60				50/60	50/60	50/-
Fázy		1/N/PE				1/N/PE				1/N/PE				2/PE		
Špecifický odpor $\rho_{15} \geq$	Ω cm	1100				1100				1100				1100		
Špecifická vodivosť $\sigma_{15} \leq$	$\mu S/cm$	909				909				909				909		
Max. impedancia siete pri 50 Hz	Ω									0,394	0,377	0,361				
Prípojky																
Vodovodná prípojka		G 3/8 A				G 3/8 A				G 3/8 A				G 3/8 A		
Hranice použitia																
Max. povolený tlak	MPa	1				1				1				1		
Hodnoty																
Max. povolená prívodná teplota	$^{\circ}C$	35				35				35				35		
Zap.	l/min	> 1,6				> 2,0				> 2,6				> 2,6		
Tlaková strata pri objemovom prietoku	MPa	0,05				0,06				0,08				0,08		
Prietok pre tlakovú stratu	l/min	1,6				2,0				2,6				2,6		
Obmedzenie prietoku pri	l/min	2,2				2,8				4,3				4,3		
Max. prietokové množstvo teplej vody	l/min	2,0				2,5				3,2				3,7		
$\Delta\theta$ pri max. prietokovom množstve	K	25				25				25				25		
Hydraulické údaje																
Menovitý objem	l	0,1				0,1				0,1				0,1		

INŠTALÁCIA

Technické údaje

		EIL 3 Plus	EIL 4 Plus	EIL 6 Plus	EIL 7 Plus
Vyhotovenia					
Typ montáže pod umývadlo		X	X	X	X
Typ konštrukcie otvorený		X	X	X	X
Typ konštrukcie uzavretý		X	X	X	X
Trieda ochrany		1	1	1	1
Izolačný blok		Plast	Plast	Plast	Plast
Vykurovací systém zdroja tepla		Neizolovaný vodič	Neizolovaný vodič	Neizolovaný vodič	Neizolovaný vodič
Kryt a zadná stena		Plast	Plast	Plast	Plast
Farba		biela	biela	biela	biela
Druh krytia (IP)		IP 25	IP 25	IP 25	IP 25
Rozmery					
Výška	mm	143	143	143	143
Šírka	mm	190	190	190	190
Hĺbka	mm	82	82	82	82
Dĺžka pripojovacieho kábla	mm	700	700	700	700
Hmotnosti					
Hmotnosť	kg	1,4	1,4	1,4	1,4



Upozornenie

Prístroj zodpovedá IEC 61000-3-12.

Záruka

Pre zariadenia nadobudnuté mimo Nemecka neplatia záručné podmienky našich nemeckých spoločností. V krajinách, v ktorých existuje jedna z našich dcérskych spoločností predávajúcich naše výrobky, sa skôr poskytuje záruka iba od tejto dcérskej spoločnosti. Takáto záruka je poskytnutá iba vtedy, keď dcérska spoločnosť vydala vlastné záručné podmienky. Nad rámec uvedeného sa záruka neposkytuje.

Na zariadenia, ktoré boli nadobudnuté v krajinách, v ktorých naše výrobky nepredáva žiadna z našich dcérskych spoločností, záruku neposkytujeme. Prípadné záruky prisľúbené dovozcom zostávajú týmto nedotknuté.

Životné prostredie a recyklácia

Pomôžte chrániť naše životné prostredie. Balenie prístroja je nutné zlikvidovať v súlade s vnútroštátnymi predpismi a ustanoveniami o likvidácii odpadov.

WSKAZÓWKI SPECJALNE

OBSŁUGA

1. Wskazówki ogólne	114
1.1 Wskazówki dotyczące bezpieczeństwa	115
1.2 Inne oznaczenia stosowane w niniejszej dokumentacji	115
1.3 Jednostki miar	116
2. Bezpieczeństwo	116
2.1 Użytkowanie zgodne z przeznaczeniem	116
2.2 Ogólne wskazówki dotyczące bezpieczeństwa	116
2.3 Znak kontroli	117
3. Opis urządzenia	117
4. Nastawy	117
5. Czyszczenie i konserwacja	118
6. Usuwanie problemów	118

INSTALACJA

7. Bezpieczeństwo	119
7.1 Ogólne wskazówki dotyczące bezpieczeństwa	119
7.2 Przepisy, normy i wymogi	119
8. Opis urządzenia	119
8.1 Zakres dostawy	119
8.2 Osprzęt	120
9. Przygotowania	120
10. Montaż	120
10.1 Miejsce montażu	120
10.2 Inne sposoby montażu	121

10.3 Wykonanie przyłącza elektrycznego	123
11. Uruchomienie	124
11.1 Pierwsze uruchomienie	124
11.2 Przekazanie urządzenia	124
11.3 Ponowne uruchomienie	124
12. Wyłączenie z eksploatacji	124
13. Usuwanie usterek	125
14. Konserwacja	126
14.1 Opróżnianie urządzenia z wody	126
14.2 Czyszczenie sitka	126
14.3 Kontrole wg VDE 0701/0702	126
14.4 Przechowywanie urządzenia	127
14.5 Wymiana elektrycznego przewodu przyłączeniowego w EIL 6 Plus	127
15. Dane techniczne	127
15.1 Wymiary	127
15.2 Schemat połączeń elektrycznych	128
15.3 Podwyższenie temperatury	129
15.4 Zakresy stosowania	130
15.5 Dane dotyczące zużycia energii	130
15.6 Tabela danych	131

GWARANCJA

OCHRONA ŚRODOWISKA NATURALNEGO I RECYCLING

WSKAZÓWKI SPECJALNE

- Urządzenie może być obsługiwane przez dzieci, które ukończyły 3 lat, oraz przez osoby o zmniejszonych zdolnościach fizycznych, sensorycznych lub umysłowych lub osoby nieposiadające odpowiedniego doświadczenia względnie wiedzy, jeżeli są one pod nadzorem lub zostały przeszkolone w zakresie bezpiecznej obsługi urządzenia oraz zrozumiwały wynikające stąd niebezpieczeństwa. Urządzenie nie może być używane przez dzieci do zabawy. Czyszczenia oraz konserwacji ze strony użytkownika nie wolno powierzać dzieciom bez nadzoru.
- Podczas pracy temperatura armatury może osiągnąć wartość powyżej 50 °C. W przypadku temperatur wyższych niż 43 °C istnieje niebezpieczeństwo poparzenia.
- Urządzenie nie jest przeznaczone do zasilania w wodę prysznic (tryb prysznic).
- Urządzenie musi mieć możliwość odłączania od sieci elektrycznej za pomocą wielobiegowego wyłącznika z rozwarciem styków wynoszącym min. 3 mm.
- Podane napięcie musi być zgodne z napięciem sieciowym.
- Urządzenie musi być trwale podłączone do stałego okablowania, wyjątek EIL 3 Plus.
- Czynności związane z wymianą sieciowego przewodu przyłączeniowego, np. w razie uszkodzenia, mogą być wykonywane wyłącznie przez wyspecjalizowanego instalatora posiadającego uprawnienia wydane przez producenta, przy użyciu oryginalnej części zamiennej.
- Zamocować urządzenie w sposób opisany w rozdziale „Instalacja / Montaż”.

- Należy przestrzegać maksymalnego dopuszczalnego ciśnienia (patrz rozdział „Dane techniczne / Tabela danych”).
- Oporność właściwa wody z sieci wodociągowej nie może być niższa niż podana w tabeli (patrz rozdział „Instalacja / Dane techniczne / Tabela danych”).
- Urządzenie opróżniać w sposób opisany w rozdziale „Instalacja / Konserwacja / Opróżnianie urządzenia”.

OBSŁUGA

1. Wskazówki ogólne

Rozdział „Obsługa” przeznaczony jest dla użytkownika i wyspecjalizowanego instalatora.

Rozdział „Instalacja” przeznaczony jest dla wyspecjalizowanego instalatora.



Wskazówka

Przed przystąpieniem do użytkowania należy dokładnie zapoznać się z niniejszą instrukcją i zachować ją do późniejszego wykorzystania.

W przypadku przekazania produktu innemu użytkownikowi niniejszą instrukcję należy również dołączyć.

1.1 Wskazówki dotyczące bezpieczeństwa

1.1.1 Struktura wskazówek dotyczących bezpieczeństwa



HASŁO OSTRZEGAWCZE – rodzaj zagrożenia
 W tym miejscu określone są potencjalne skutki nieprze-
 strzegania wskazówki dotyczącej bezpieczeństwa.
 ► W tym miejscu są określone środki zapobiegające
 zagrożeniu.

1.1.2 Symbole i rodzaje zagrożenia

Symbol	Rodzaj zagrożenia
	Obrażenia ciała
	Porażenie prądem elektrycznym
	Poparzenie (Poparzenie)

1.1.3 Hasła ostrzegawcze

HASŁO OSTRZE- GAWCZE	Znaczenie
ZAGROŻENIE	Wskazówki, których nieprze- strzeżenie prowadzi do cięż- kich obrażeń ciała lub śmierci.
OSTRZEŻENIE	Wskazówki, których nieprze- strzeżenie może prowadzić do ciężkich obrażeń ciała lub śmierci.
OSTROŻNIE	Wskazówki, których nieprze- strzeżenie może prowadzić do średnich lub lekkich obrażeń ciała.

1.2 Inne oznaczenia stosowane w niniejszej dokumentacji



Wskazówka

Wskazówki są ograniczone poziomymi liniami powyżej i poniżej tekstu. Wskazówki ogólne są oznaczone sym-
 bolem umieszczonym obok.

► Należy dokładnie zapoznać się z treścią wskazówek.

Symbol	
	Szkody materialne (uszkodzenie urządzenia, szkody następcze, zanieczyszcze- nie środowiska)
	Utylizacja urządzenia

- ▶ Ten symbol informuje o konieczności wykonania jakiejś czynności. Wymagane czynności opisane są krok po kroku.

1.3 Jednostki miar



Wskazówka

Jeśli nie określono innych jednostek, wymiary podane są w milimetrach.

2. Bezpieczeństwo

2.1 Użytkowanie zgodne z przeznaczeniem

Urządzenie przeznaczone jest do użytku w budownictwie mieszkaniowym. Może być bezpiecznie użytkowane przez nieprzeszkolone osoby. Urządzenie może być użytkowane również poza budownictwem mieszkaniowym, np. w budynkach gospodarczych i przemysłowych, pod warunkiem użytkowania zgodnego z przeznaczeniem.

Urządzenie służy do podgrzewania wody użytkowej. Urządzenie jest przeznaczone wyłącznie do umywalki.

Inne lub wykraczające poza obowiązujące ustalenia użytkowanie traktowane jest jako niezgodne z przeznaczeniem. Do użytkowania zgodnego z przeznaczeniem należy również przestrzeganie niniejszej instrukcji obsługi oraz instrukcji obsługi użytego osprzętu.

2.2 Ogólne wskazówki dotyczące bezpieczeństwa



ZAGROŻENIE poparzeniem

Podczas pracy temperatura armatury może osiągnąć wartość powyżej 50 °C. W przypadku temperatur wyższych niż 43 °C istnieje niebezpieczeństwo poparzenia.



OSTRZEŻENIE - obrażenia ciała

Urządzenie może być obsługiwane przez dzieci, które ukończyły 3 lat, oraz przez osoby o zmniejszonych zdolnościach fizycznych, sensorycznych lub umysłowych lub osoby nieposiadające odpowiedniego doświadczenia względnie wiedzy, jeżeli są one pod nadzorem lub zostały przeszkolone w zakresie bezpiecznej obsługi urządzenia oraz zrozumiały wynikające stąd niebezpieczeństwa. Urządzenie nie może być używane przez dzieci do zabawy. Czyszczenia oraz konserwacji ze strony użytkownika nie wolno powierzać dzieciom bez nadzoru.



ZAGROŻENIE porażenia prądem elektrycznym

Uszkodzony elektryczny przewód przyłączeniowy może zostać wymieniony tylko przez wyspecjalizowanego instalatora. Dzięki temu można uniknąć ewentualnych zagrożeń.



Szkody materialne

Chronić urządzenie i armaturę przed mrozem.

**Szkody materialne**

Stosować wyłącznie dołączony specjalny regulator strumienia. Zapobiegać osadzeniu się kamienia na wylotach armatury (patrz rozdział „Czyszczenie, pielęgnacja i konserwacja”).

2.3 Znak kontroli

Patrz tabliczka znamionowa na urządzeniu.

3. Opis urządzenia

Hydraulicznie sterowany mini przepływowy ogrzewacz podgrzewa wodę bezpośrednio w punkcie poboru. Otwarcie armatury powoduje automatyczne załączenie mocy grzewczej. Dzięki krótkiej instalacji powstają niewielkie straty energii i wody.

Wydajność ciepłej wody urządzenia zależy od temperatury zimnej wody, mocy grzewczej oraz przepływu.

System grzejny z odkrytą grzałką jest przeznaczony do wody o niskiej i wysokiej zawartości wapnia. System grzejny jest w dużym stopniu odporny na powstawanie osadów wapiennych. System grzejny zapewnia szybkie i wydajne przygotowanie ciepłej wody w umywalce.

Dzięki zamontowaniu dołączonego, specjalnego regulatora strumienia można uzyskać optymalny strumień wody.

4. Nastawy

Po otwarciu zaworu ciepłej wody na armaturze lub uruchomieniu czujnika armatury czujnikowej system grzejny urządzenia załącza się automatycznie. Woda jest podgrzewana. Temperaturę wody można zmieniać za pomocą armatury:

Przepływ wymagany do włączenia patrz rozdział „Dane techniczne / Tabela danych / Wł.”.

Podwyższenie temperatury

► Zdławić przepływ wody za pomocą armatury.

Obniżenie temperatury

► Odkręcić mocniej armaturę lub domieszać więcej zimnej wody.

Po przerwie w zaopatrzeniu w wodę

Patrz rozdział „Uruchomienie / Ponowne uruchomienie”.

5. Czyszczenie i konserwacja

- ▶ Nie wolno używać szorujących, ani rozpuszczających środków czyszczących. Do konserwacji i czyszczenia urządzenia wystarczy wilgotna ściereczka.
- ▶ Należy regularnie sprawdzać stan armatur. Osad z wylotu armatur należy usuwać przy użyciu dostępnych w handlu środków do odkamieniania.
- ▶ W regularnych odstępach czasu zlecać wyspecjalizowanemu instalatorowi kontrolę bezpieczeństwa elektrycznego urządzenia.
- ▶ Należy regularnie odwapniać lub wymieniać specjalny regulator strumienia w armaturze (patrz rozdział „Opis urządzenia / Osprzęt”).

6. Usuwanie problemów

Problem	Przyczyna	Usuwanie
Urządzenie nie włącza się, mimo całkowicie otwartej armatury.	Do urządzenia nie jest doprowadzone napięcie.	Sprawdzić bezpiecznik w instalacji domowej.
	Regulator strumienia w armaturze jest pokryty kamieniem lub zabrudzony.	Oczyścić i/lub odwapnić regulator strumienia lub wymienić specjalny regulator strumienia.
	Przerwa w zaopatrzeniu w wodę.	Odpowietrzyć urządzenie i zasilanie zimnej wody (patrz rozdział „Nastawy”).

Jeśli nie można usunąć przyczyny usterki, należy wezwać wyspecjalizowanego instalatora. W celu usprawnienia i przyspieszenia pomocy należy podać numer z tabliczki znamionowej (000000-0000-00000).

Model:	<input type="text" value="EIL . . ."/>	Nr E:	<input type="text" value="000000"/>
Nr F:	<input type="text" value="0000-00000"/>		

INSTALACJA

7. Bezpieczeństwo

Instalacja, uruchomienie, jak również konserwacja i naprawa urządzenia mogą być wykonane wyłącznie przez wyspecjalizowanego instalatora.

7.1 Ogólne wskazówki dotyczące bezpieczeństwa

Producent zapewnia prawidłowe działanie i bezpieczeństwo eksploatacji tylko w przypadku stosowania oryginalnego osprzętu, przeznaczonego do tego urządzenia, oraz oryginalnych części zamiennych.



Szkody materialne

Przestrzegać maks. dopuszczalnej temperatury na zasilaniu. Przy wyższych temperaturach może nastąpić uszkodzenie urządzenia. Za pomocą centralnej armatury termostatycznej można ograniczyć temperaturę wody na zasilaniu.

7.2 Przepisy, normy i wymogi



Wskazówka

Należy przestrzegać krajowych i lokalnych przepisów oraz wymogów.

Właściwa oporność elektryczna wody nie może być mniejsza niż podana na tabliczce znamionowej. W przypadku sieci wodociągowej należy uwzględnić najniższą oporność elektryczną wody (patrz rozdział „Dane techniczne / Tabela danych”). Informacje o właściwej oporności elektrycznej lub elektrycznej przewodności wody można uzyskać w miejscowym zakładzie wodociągów.

8. Opis urządzenia

8.1 Zakres dostawy

Z urządzeniem dostarczane są:

- sitko w zasilaniu zimnej wody
- specjalny regulator strumienia
- wąż przyłączeniowy 3/8, dł. 500 mm, z uszczelkami*
- trójnik 3/8*

* do podłączenia jako urządzenie ciśnieniowe

INSTALACJA

Przygotowania

8.2 Osprzęt

Specjalny regulator strumienia



Wskazówka

Dzięki zamontowaniu specjalnego regulatora strumienia w armaturze można uzyskać optymalny strumień wody.

Armatury

- ▶ Należy stosować odpowiednie armatury.

Armatury ciśnieniowe

Odpowiednie armatury ciśnieniowe można zakupić w specjalistycznych sklepach.

Armatury bezcisnieniowe

- MAW (OT) - bezcisnieniowa armatura ścienna
- MAZ (UT) - bezcisnieniowa dwuuchwytowa armatura do umywalki
- MAE (UTE) - bezcisnieniowa jednouchwytowa armatura do umywalki

9. Przygotowania

- ▶ Przeplukać dokładnie instalację wodną.

Instalacja wodna

Zawór bezpieczeństwa nie jest potrzebny.

10. Montaż

10.1 Miejsce montażu

Urządzenie należy zamontować w pomieszczeniu zabezpieczonym przed mrozem, w pobliżu armatury czerpalnej.

Zwrócić uwagę na dostępność bocznych wkrętów mocujących pokrywę.

Urządzenie przeznaczone jest wyłącznie do montażu poniżej punktu poboru wody (przyłącza wody na górze).



ZAGROŻENIE porażenia prądem elektrycznym

Stopień ochrony IP25 jest zapewniony tylko przy zamontowanej ściance tylnej urządzenia.

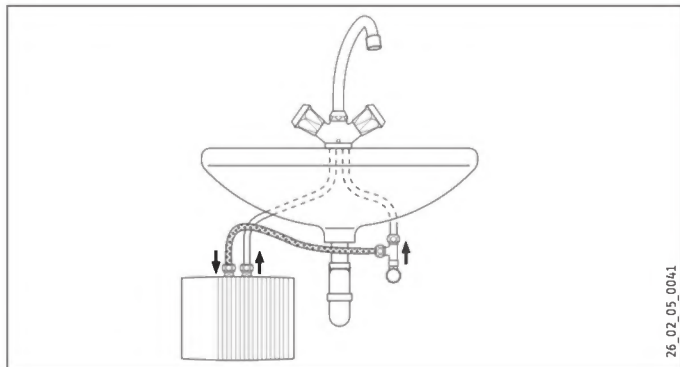
- ▶ Zawsze montować ściankę tylną urządzenia.

INSTALACJA

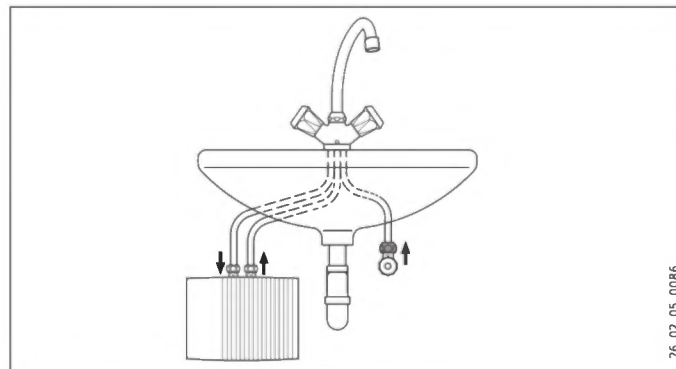
Montaż

10.2 Inne sposoby montażu

Montaż poniżej punktu poboru wody, ciśnieniowy, z armaturą ciśnieniową



Montaż poniżej punktu poboru wody, bezciśnieniowy, z armaturą bezciśnieniową



INSTALACJA

Montaż

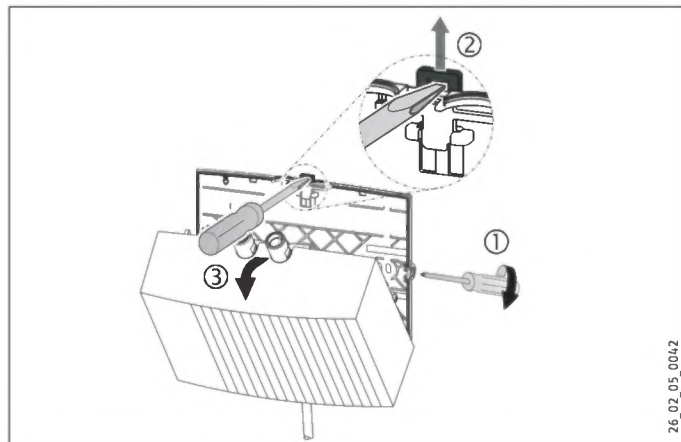
10.2.1 Montaż urządzenia

- ▶ Zamontować urządzenie na ścianie.



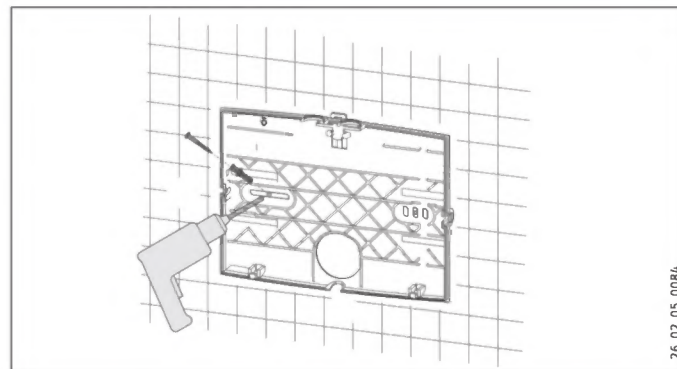
Wskazówka

Ściana musi posiadać odpowiednią nośność.



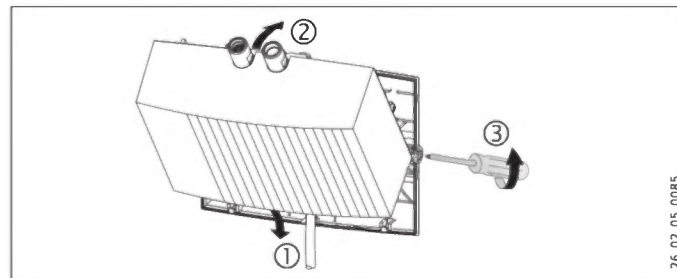
26_02_05_0042

- ▶ Wkręty mocujące osłonę odkręcić o dwa obroty.
- ▶ Odblokować zamknięcie zapadkowe za pomocą śrubokręta.
- ▶ Zdjąć do przodu pokrywę urządzenia z systemem grzejnym.
- ▶ Wyłamać przy użyciu szczypiec otwór przepustowy na elektryczny przewód przyłączeniowy w pokrywie urządzenia. Ewentualne nierówności usunąć pilnikiem.



26_02_05_0084

- ▶ Tylną ściankę urządzenia użyć jako szablonu do nawiercania otworów.
- ▶ Zamocować ściankę tylną urządzenia odpowiednimi kołkami rozporowymi i wkrętami na ścianie.



26_02_05_0085

- ▶ Przełożyć elektryczny przewód przyłączeniowy przez otwór przepustowy tylnej ścianki.
- ▶ Zaczepić pokrywę urządzenia z systemem grzejnym na dole.
- ▶ Zablokować system grzejny w zamknięciu zapadkowym.
- ▶ Zamocować pokrywę urządzenia wkrętami mocującymi pokrywę.

10.2.2 Montaż armatury



Szkody materialne

Podczas montażu wszystkich przyłączy należy kontrolować króćce przyłączeniowe urządzenia za pomocą klucza o rozmiarze 14.

Przyłącze ciśnieniowe

- ▶ Zamontować dołączony wąż przyłączeniowy 3/8 oraz trójnik 3/8.
- ▶ Zamontować armaturę. Należy przestrzegać przy tym instrukcji obsługi i instalacji armatury.

Przyłącze bezcisnieniowe

- ▶ Zamontować armaturę. Należy przestrzegać przy tym instrukcji obsługi i instalacji armatury.

10.3 Wykonanie przyłącza elektrycznego



ZAGROŻENIE porażenia prądem elektrycznym
Wszystkie elektryczne prace przyłączeniowe i instalacyjne należy wykonywać zgodnie z przepisami.



ZAGROŻENIE porażenia prądem elektrycznym
Zwrócić uwagę, aby urządzenie zostało podłączone do przewodu ochronnego.
Urządzenie musi mieć możliwość odłączania od sieci elektrycznej za pomocą wielobiegunowego wyłącznika z rozwarciem styków wynoszącym min. 3 mm.



ZAGROŻENIE porażenia prądem elektrycznym
Urządzenia w momencie dostawy są wyposażone w elektryczny przewód przyłączeniowy (EIL 3 Plus z wtyczką).
Urządzenie można podłączyć do poprowadzonego na stałe przewodu elektrycznego, jeśli jego pole przekroju jest przynajmniej równe polu przekroju seryjnego przewodu przyłączeniowego urządzenia. Maksymalne pole przekroju przewodu może wynosić 3 x 6 mm².



Szkody materialne

Przy podłączeniu do gniazda wtykowego z zestykiem ochronnym (dotyczy elektrycznego przewodu przyłączeniowego z wtyczką) należy zwrócić uwagę, aby po instalacji urządzenia do gniazda wtykowego był swobodny dostęp.

INSTALACJA

Uruchomienie



Szkody materialne

Zwrócić uwagę na treść tabliczki znamionowej. Podane napięcie musi być zgodne z napięciem sieciowym.

- ▶ Podłączyć elektryczny przewód przyłączeniowy według schematu połączeń elektrycznych (patrz rozdział „Dane techniczne / Schemat połączeń elektrycznych”).

11. Uruchomienie

11.1 Pierwsze uruchomienie



- ▶ Napełnić urządzenie, pobierając kilkakrotnie wodę z armatury, aby usunąć powietrze z instalacji i urządzenia.
- ▶ Przeprowadzić kontrolę szczelności.
- ▶ Podłączyć wtyczkę elektrycznego przewodu przyłączeniowego (jeśli jest) do gniazda wtykowego z zestykiem ochronnym lub załączyć bezpiecznik.
- ▶ Sprawdzić prawidłowość pracy urządzenia.

11.2 Przekazanie urządzenia

- ▶ Objaśnić użytkownikowi sposób działania urządzenia i zapoznać go ze sposobem użytkowania.
- ▶ Poinformować użytkownika o potencjalnych zagrożeniach, zwłaszcza o niebezpieczeństwie poparzenia.
- ▶ Przekazać niniejszą instrukcję.

11.3 Ponowne uruchomienie



Szkody materialne

Po przerwie w zasilaniu wodą należy ponownie uruchomić urządzenie, wykonując poniższe czynności, aby nie uszkodzić systemu grzejnego z odkrytą grzałką.

- ▶ Odłączyć urządzenie od zasilania. W tym celu odłączyć wtyczkę elektrycznego przewodu przyłączeniowego (jeśli jest) lub wyłączyć bezpiecznik.
- ▶ Patrz rozdział „Pierwsze uruchomienie”.

12. Wyłączenie z eksploatacji

- ▶ Urządzenie odłączyć od napięcia sieciowego za pomocą bezpiecznika w sieci instalacji domowej lub wyciągnąć wtyczkę elektrycznego przewodu przyłączeniowego.
- ▶ Opróżnić urządzenie z wody (patrz rozdział „Konserwacja”).

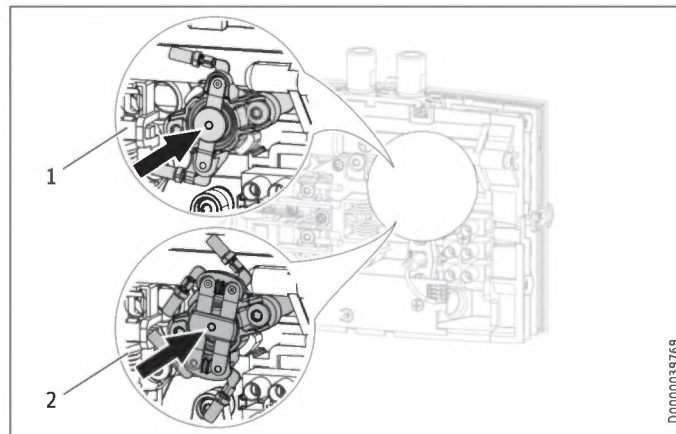
INSTALACJA

Usuwanie usterek

13. Usuwanie usterek

Problem	Przyczyna	Usuwanie
Urządzenie nie włącza się, mimo całkowicie otwartej armatury.	Regulator strumienia w armaturze jest pokryty kamieniem lub zabrudzony.	Oczyścić i/lub odwapnić regulator strumienia lub wymienić specjalny regulator strumienia.
	Sitko w przewodzie zimnej wody jest zatkane.	Wyczyścić sitko po zamknięciu zaworu odcinającego.
	System grzejny jest uszkodzony.	Zmierzyć rezystancję systemu grzejnego, ew. wymienić urządzenie.
	Ogranicznik ciśnienia bezpieczeństwa spowodował wyłączenie.	Usunąć przyczynę usterki. Odłączyć urządzenie do sieci elektrycznej i odciążyć rurkę wody. Aktywować ogranicznik ciśnienia bezpieczeństwa.

Aktywacja ogranicznika ciśnienia bezpieczeństwa



- 1 1-stykowy ogranicznik ciśnienia bezpieczeństwa EIL 4 Plus / EIL 6 Plus
- 2 2-stykowy ogranicznik ciśnienia bezpieczeństwa EIL 3 Plus / EIL 7 Plus

14. Konserwacja



ZAGROŻENIE porażenia prądem elektrycznym
Przed przystąpieniem do wszelkich prac należy odłączyć urządzenie na wszystkich biegunach od sieci.

14.1 Opróżnianie urządzenia z wody



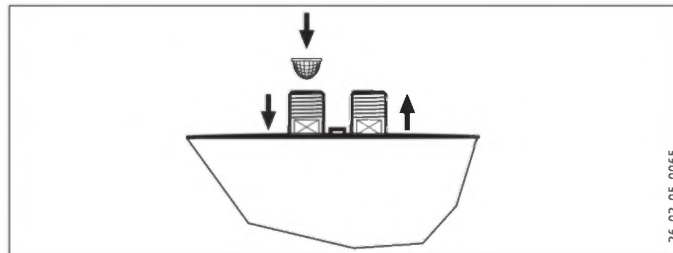
ZAGROŻENIE poparzeniem
Podczas opróżniania z urządzenia może wypłynąć gorąca woda.

Jeśli konieczne jest opróżnienie urządzenia przed przystąpieniem do prac konserwacyjnych lub w razie wystąpienia ryzyka zamarznięcia całej instalacji, należy postępować w następujący sposób:

- ▶ Zamknąć zawór odcinający w instalacji zasilania zimnej wody.
- ▶ Otworzyć zawór poboru wody.
- ▶ Odkręcić przyłącza wody od urządzenia.

14.2 Czyszczenie sitka

Zamontowane sitko można oczyścić po demontażu rurki przyłączeniowej zimnej wody.



14.3 Kontrole wg VDE 0701/0702

Kontrola przewodu ochronnego

- ▶ Skontrolować przewód ochronny (w Niemczech np. zgodnie z DGUV A3) na styku przewodu ochronnego elektrycznego przewodu przyłączeniowego oraz na króćcu przyłączeniowym urządzenia.

Oporność izolacji

- ▶ Jeśli urządzenie o znamionowej mocy grzewczej > 3,5 kW nie osiąga oporności izolacji 300 kΩ, zalecamy przeprowadzenie kontroli właściwości izolacyjnych tego urządzenia za pomocą pomiaru prądu różnicowego przewodu ochronnego / prądu upływowego wg VDE 0701/0702 (rys C.3b).

14.4 Przechowywanie urządzenia

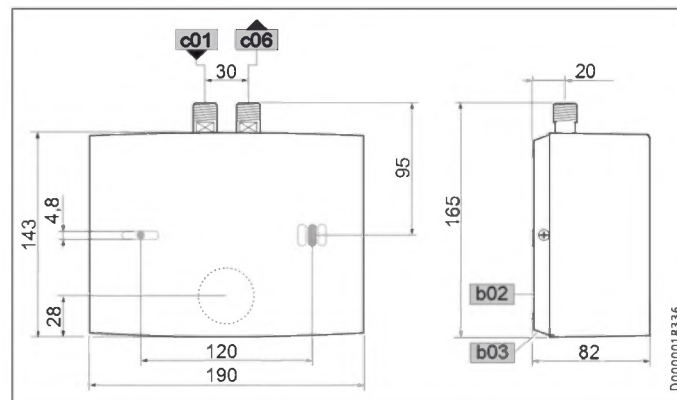
- ▶ Zdemonstrowane urządzenie przechowywać w miejscu zabezpieczonym przed mrozem, ponieważ resztki wody pozostałe w urządzeniu mogą doprowadzić do jego zamrożenia i uszkodzenia.

14.5 Wymiana elektrycznego przewodu przyłączeniowego w EIL 6 Plus

- ▶ W razie wymiany w urządzeniu EIL 6 Plus należy zastosować elektryczny przewód przyłączeniowy o przekroju 4 mm².

15. Dane techniczne

15.1 Wymiary



b02	Przepust na przewody elektr. I		
b03	Przepust na przewody elektr. II		
c01	Zimna woda, zasilanie	Gwint zewnętrzny	G 3/8 A
c06	Ciepła woda, wyjście	Gwint zewnętrzny	G 3/8 A

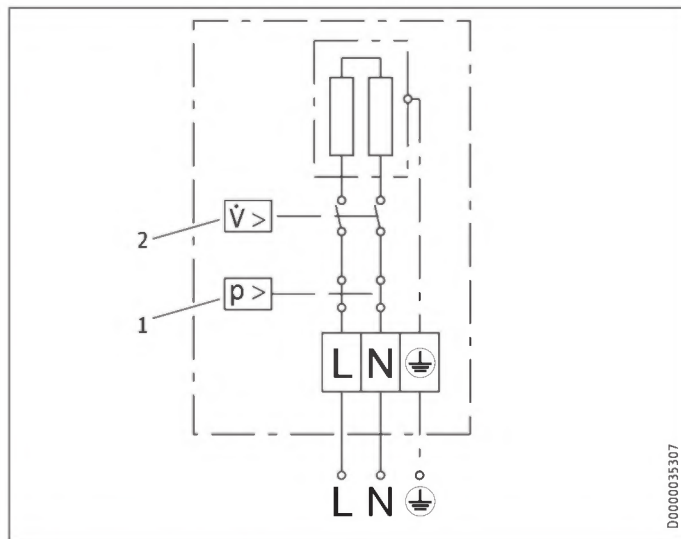
INSTALACJA

Dane techniczne

15.2 Schemat połączeń elektrycznych

15.2.1 EIL 3 Plus

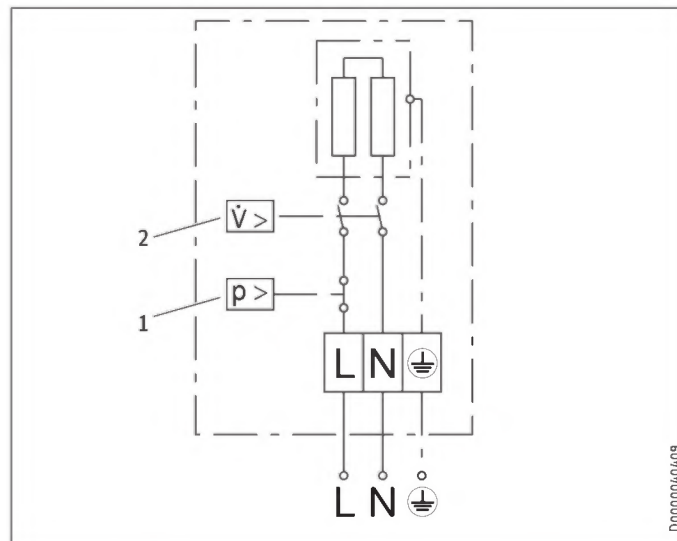
1/N/PE ~ 200-240 V



- 1 Ogranicznik ciśnienia bezpieczeństwa
- 2 Różnicowy przełącznik ciśnieniowy

15.2.2 EIL 4 Plus i EIL 6 Plus

1/N/PE ~ 200-240 V



- 1 Ogranicznik ciśnienia bezpieczeństwa
- 2 Różnicowy przełącznik ciśnieniowy



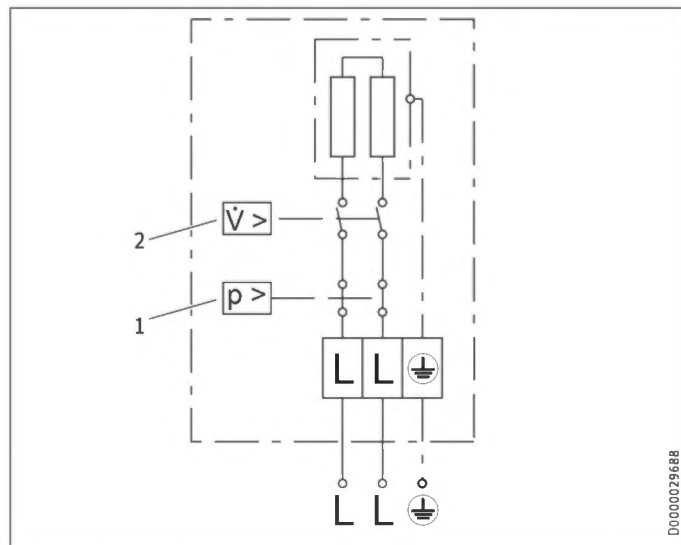
Szkody materialne

- ▶ W przypadku podłączenia na stałe elektryczny przewód przyłączeniowy należy podłączyć do zacisku tulejkowego zgodnie z oznaczeniem zacisków.

INSTALACJA

Dane techniczne

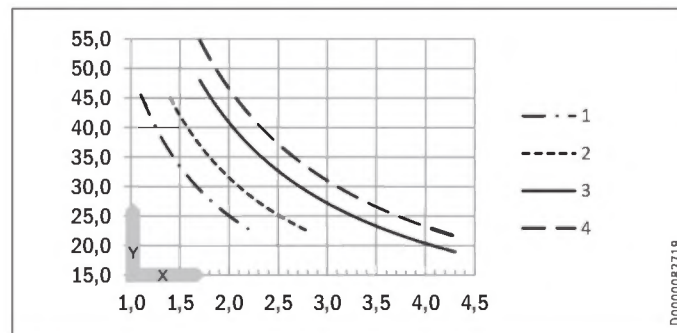
15.2.3 EIL 7 Plus 2/PE ~ 380-415 V



- 1 Ogranicznik ciśnienia bezpieczeństwa
- 2 Różnicowy przełącznik ciśnieniowy

15.3 Podwyższenie temperatury

Przy napięciu 230 V / 400 V uzyskuje się następujące podwyższenia temperatury wody:



- X Przepływ w l/min
Y Podwyższenie temperatury w K
- 1 3,5 kW - 230 V
 - 2 4,4 kW - 230 V
 - 3 5,7 kW - 230 V
 - 4 6,5 kW - 400 V

Przykład EIL 3 Plus z 3,5 kW

Przepływ	l/min	2,0
Podwyższenie temperatury	K	25
Temperatura zasilania zimnej wody	°C	12
Maksymalna możliwa temperatura na wyjściu	°C	37

INSTALACJA

Dane techniczne

15.4 Zakresy stosowania

Oporność elektryczna właściwa i przewodność elektryczna właściwa, patrz „Tabela danych”.

Wartość znamionowa przy 15 °C			20 °C			25 °C		
Opór- ność $\rho \geq$	Opór Przewod- ność $\sigma \leq$	$\mu S/cm$	Opór- ność $\rho \geq$	Opór Przewod- ność $\sigma \leq$	$\mu S/cm$	Opór- ność $\rho \geq$	Opór Przewod- ność $\sigma \leq$	$\mu S/cm$
Ωcm	mS/m	$\mu S/cm$	Ωcm	mS/m	$\mu S/cm$	Ωcm	mS/m	$\mu S/cm$
1100	91	909	970	103	1031	895	112	1117

15.5 Dane dotyczące zużycia energii

Karta danych produktu: Konwencjonalny podgrzewacz ciepłej wody użytkowej zgodnie z rozporządzeniem (UE) nr 812/2013 | 814/2013

		EIL 3 Plus	EIL 4 Plus	EIL 6 Plus	EIL 7 Plus
		200138	200139	200140	200141
Producent		STIEBEL ELTRON	STIEBEL ELTRON	STIEBEL ELTRON	STIEBEL ELTRON
Profil obciążenia		XXS	XXS	XXS	XS
Klasa efektywności energetycznej		A	A	A	A
Sprawność energetyczna	%	39	38	39	40
Roczne zużycie prądu	kWh	478	478	478	466
Poziom mocy akustycznej	dB(A)	15	15	15	15
Szczególne uwagi dotyczące pomiaru efektywności		Brak	Brak	Brak	Brak
Dzienne zużycie prądu	kWh	2,200	2,200	2,200	2,130

INSTALACJA

Dane techniczne

15.6 Tabela danych

		EIL 3 Plus				EIL 4 Plus				EIL 6 Plus				EIL 7 Plus		
		200138				200139				200140				200141		
Dane elektryczne																
Napięcie znamionowe	V	200	220	230	240	200	220	230	240	200	220	230	240	380	400	415
Moc znamionowa	kW	2,7	3,2	3,53	3,8	3,3	4,0	4,4	4,8	4,3	5,2	5,7	6,2	5,9	6,5	7,0
Prąd znamionowy	A	13,3	14,5	15,2	15,8	16,7	18,2	19,1	20	21,6	23,6	24,7	25,8	15,5	16,3	16,9
Zabezpieczenie	A	16				20				25	25	25	32	16	20	20
Częstotliwość	Hz	50/60				50/60				50/60				50/60	50/60	50/-
Fazy		1/N/PE				1/N/PE				1/N/PE				2/PE		
Oporność właściwa $\rho_{15} \geq$	Ω cm	1100				1100				1100				1100		
Przewodność właściwa $\sigma_{15} \leq$	$\mu S/cm$	909				909				909				909		
Maks. impedancja sieci przy 50 Hz	Ω									0,394	0,377	0,361				
Przyłącza																
Przyłącze wody		G 3/8 A				G 3/8 A				G 3/8 A				G 3/8 A		
Granice stosowania																
Maks. dopuszczalne ciśnienie	MPa	1				1				1				1		
Parametry																
Maks. dopuszczalna temperatura wody na zasilaniu	$^{\circ}C$	35				35				35				35		
Włączone	l/min	> 1,6				> 2,0				> 2,6				> 2,6		
Spadek ciśnienia przy przepływie	MPa	0,05				0,06				0,08				0,08		
Przepływ przy spadku ciśnienia	l/min	1,6				2,0				2,6				2,6		
Ograniczenie przepływu przy	l/min	2,2				2,8				4,3				4,3		
Wydajność CWU	l/min	2,0				2,5				3,2				3,7		
$\Delta\theta$ przy wydajności	K	25				25				25				25		
Dane hydrauliczne																
Pojemność znamionowa	l	0,1				0,1				0,1				0,1		

INSTALACJA

Dane techniczne

		EIL 3 Plus	EIL 4 Plus	EIL 6 Plus	EIL 7 Plus
Wykonania					
Montaż poniżej punktu poboru		X	X	X	X
Konstrukcja bezciśnieniowa		X	X	X	X
Konstrukcja ciśnieniowa		X	X	X	X
Klasa ochrony		1	1	1	1
Blok izolacyjny		Tworzywo sztuczne	Tworzywo sztuczne	Tworzywo sztuczne	Tworzywo sztuczne
Wytwornica ciepła systemu grzewczego		Z odkrytą grzałką	Z odkrytą grzałką	Z odkrytą grzałką	Z odkrytą grzałką
Pokrywa i ścianka tylna		Tworzywo sztuczne	Tworzywo sztuczne	Tworzywo sztuczne	Tworzywo sztuczne
Kolor		Biały	Biały	Biały	Biały
Stopień ochrony (IP)		IP25	IP25	IP25	IP25
Wymiary					
Wysokość	mm	143	143	143	143
Szerokość	mm	190	190	190	190
Głębokość	mm	82	82	82	82
Długość przewodu przyłączeniowego	mm	700	700	700	700
Masy					
Masa	kg	1,4	1,4	1,4	1,4



Wskazówka

Urządzenie jest zgodne z IEC 61000-3-12.

Gwarancja

Urządzeń zakupionych poza granicami Niemiec nie obejmują warunki gwarancji naszych niemieckich spółek. Ponadto w krajach, w których jedna z naszych spółek córek jest dystrybutorem naszych produktów, gwarancji może udzielić wyłącznie ta spółka. Taka gwarancja obowiązuje tylko wówczas, gdy spółka-córka sformułowała własne warunki gwarancji. W innych przypadkach gwarancja nie jest udzielana.

Nie udzielamy gwarancji na urządzenia zakupione w krajach, w których żadna z naszych spółek córek nie jest dystrybutorem naszych produktów. Ewentualne gwarancje udzielone przez importera zachowują ważność.

Ochrona środowiska i recycling

Pomóż chronić środowisko naturalne. Materiały po wykorzystaniu należy utylizować zgodnie z krajowymi przepisami.

INDICAȚII SPECIALE

OPERARE

1. Instrucțiuni generale	136
1.1 Indicații de siguranță	136
1.2 Alte marcaje în această documentație	137
1.3 Unități de măsură	137
2. Siguranța	138
2.1 Utilizarea conformă cu destinația	138
2.2 Indicații generale de siguranță	138
2.3 Marcaj de verificare	138
3. Descrierea instalației	139
4. Setările	139
5. Curățarea, îngrijirea și întreținerea	139
6. Remedierea problemelor	140

INSTALARE

7. Siguranța	140
7.1 Indicații generale de siguranță	140
7.2 Prevederi, norme și reglementări	141
8. Descrierea instalației	141
8.1 Conținutul livrării	141
8.2 Accesorii	141
9. Pregătiri	142
10. Montaj	142
10.1 Loc montaj	142
10.2 Alternative de montaj	142

10.3 Realizare conexiuni electrice	145
11. Punerea în funcțiune	145
11.1 Prima punere în funcțiune	145
11.2 Predarea aparatului	146
11.3 Repunerea în funcțiune	146
12. Oprirea aparatului	146
13. Remedierea perturbațiilor	146
14. Întreținerea	147
14.1 Golirea aparatului	147
14.2 Curățați sita	148
14.3 Verificări conform VDE 0701/0702	148
14.4 Depozitarea aparatului	148
14.5 Înlocuirea cablului electric la EIL 6 Plus	148
15. Date tehnice	149
15.1 Dimensiuni	149
15.2 Schemă de conexiune electrică	149
15.3 Creșterea temperaturii	151
15.4 Domenii de utilizare	151
15.5 Informații privind consumul de energie	152
15.6 Tabel de date	153

GARANȚIE

MEDIUL ÎNCONJURĂTOR ȘI RECICLAREA

INDICAȚII SPECIALE

- Aparatul poate fi utilizat atât de copii peste 3 ani, cât și de persoanele cu capacități corporale, senzoriale sau mentale reduse sau cu deficiențe privind experiența și cunoștințele, dacă au fost supravegheate ori instruite referitor la utilizarea sigură a aparatului și la pericolele care rezultă astfel. Copiii nu au voie să se joace cu aparatul. Curățarea și întreținerea realizate de utilizator nu pot fi executate de copii fără supraveghere.
- Garnitura poate atinge în timpul utilizării o temperatură de peste 50 °C. În cazul temperaturilor de ieșire mai mari de 43 °C există pericolul de opărire.
- Aparatul nu este adecvat pentru alimentarea unui duș (funcționare ca duș).
- Aparatul trebuie deconectat de la rețeaua de curent de la toți polii pe o distanță minimă de 3 mm.
- Tensiunea indicată trebuie să corespundă tensiunii de rețea.
- Aparatul trebuie conectat permanent la un cablaj fix, excepție EIL 3 Plus.
- Înlocuirea cablului electric de racordare la rețea în caz de deteriorare este permis să fie efectuată numai de către un electrician autorizat de către producător cu o piesă de schimb originală.
- Fixați aparatul ca la descrierea din capitolul „Instalarea / Montajul”.
- Respectați presiunea maximă admisă (vezi capitolul „Date tehnice / Tabel de date”).

Instrucțiuni generale

- Rezistența specifică a apei din rețeaua de alimentare cu apă nu are voie să fie depășită (vezi capitolul „Instalare / Date tehnice / Tabel de date”).
- Goliți aparatul conform descrierii din capitolul „Instalarea / Întreținerea / Golirea aparatului”.

OPERARE

1. Instrucțiuni generale

Capitolul „Comandă” se adresează utilizatorului aparatului și tehnicianului de specialitate.

Capitolul „Instalare” se adresează tehnicianului de specialitate.



Indicație

Citiți cu atenție aceste instrucțiuni înainte utilizării și păstrați-le bine.

Predați de asemenea instrucțiunile de utilizare următorului utilizator.

1.1 Indicații de siguranță

1.1.1 Structura instrucțiunilor de siguranță



CUVÂNT DE SEMNALIZARE Tipul pericolului




Aici sunt înscrise posibilele urmări ale nerespectării indicațiilor de siguranță.

► Aici sunt înscrise măsurile de protecție contra pericolului.

OPERARE

Instrucțiuni generale

1.1.2 Simboluri, tipul pericolului

Simbol	Tipul pericolului
	Rănire
	Electrocutare
	Arsură (arsură, opărire)

1.1.3 Cuvinte semnal

CUVÂNT SEM- NAL	Semnificație
PERICOL	Indicații, a căror nerespectare cauzează răni grave sau deces.
AVERTIZARE	Indicații, a căror nerespectare poate cauza răni grave sau deces.
ATENȚIE	Indicații, a căror nerespectare poate cauza răni de gravitate medie sau ușoară.

1.2 Alte marcaje în această documentație



Indicație

Indicațiile sunt încadrate de linii orizontale deasupra și dedesubtul textului. Indicațiile generale sunt marcate cu simbolul alăturat.

► Citiți cu atenție textele acestor indicații.

Simbol



Pagube materiale (deteriorarea aparatelor, deteriorări consecutive, poluarea mediului înconjurător)



Scoaterea din uz a aparatelor

► Acest simbol vă arată că trebuie să acționați. Manevrelle necesare vor fi descrise pas cu pas.

1.3 Unități de măsură



Indicație

Dacă a fost altfel precizat, unitățile de măsură utilizate sunt milimetri.

2. Siguranța

2.1 Utilizarea conformă cu destinația

Aparatul este prevăzut pentru instalarea în mediul casnic. Poate fi utilizat în siguranță de persoane neinstruite. Aparatul poate fi utilizat și în spații nedestinate locuirii, de exemplu în mici ateliere, în măsura în care exploatarea se realizează în același mod.

Aparatul este conceput pentru încălzirea apei potabile. Aparatul este destinat utilizării pentru un lavoar.

O altfel de utilizare nu este considerată conformă. Pentru o utilizare conformă cu destinația trebuie respectate aceste instrucțiuni precum și instrucțiunile accesoriilor utilizate.

2.2 Indicații generale de siguranță



PERICOL de opărire

Garnitura poate atinge în timpul utilizării o temperatură de peste 50 °C. În cazul temperaturilor de ieșire mai mari de 43 °C există pericolul de opărire.



AVERTIZARE Rănire

Aparatul poate fi utilizat atât de copii peste 3 ani, cât și de persoanele cu capacități corporale, senzoriale sau mentale reduse sau cu deficiențe privind experiența și cunoștințele, dacă au fost supravegheate ori instruite referitor la utilizarea sigură a aparatului și la pericolele care rezultă astfel. Copiii nu au voie să se joace cu aparatul. Curățarea și întreținerea realizate de utilizator nu pot fi executate de copii fără supraveghere.



PERICOL de electrocutare

Cablul electric de racordare deteriorat trebuie înlocuit de un tehnician de specialitate. Se exclude astfel o posibilă periclitate.



Pagube materiale

Protejați aparatul și armătura contra înghețului.



Pagube materiale

Utilizați numai regulatorul de jet special livrat în pachet. Preveniți depunerile de calcar la garniturile de evacuare (vezi capitolul „Curățarea / Îngrijirea și întreținerea”).

2.3 Marcaj de verificare

Vezi placa de identificare la aparat.

3. Descrierea instalației

Mini-încălzitorul instant controlat hidraulic încălzește apa direct la locul de extracție. La deschiderea armăturii se cuplează puterea de încălzire automat. La deschiderea armăturii se cuplează puterea de încălzire automat. Prin intermediul conductelor scurte se reduc pierderile de energie și apă.

Conducta apă caldă depinde de temperatura apei reci, de capacitatea de încălzire și de debit.

Sistemul de căldură cu conductor neizolat este adecvat atât pentru apă săracă în calcar cât și pentru apă cu conținut de calcar. Sistemul de încălzire nu este sensibil la depunerea de calcar. Sistemul de încălzire asigură o alimentare rapidă și eficientă a apei calde la lavoar.

La montarea regulatorului de jet special anexat obțineți un jet optim de apă.

4. Setările

În momentul în care deschideți robinetul de apă caldă la armătură sau se acționează senzorul la armătura cu senzor, sistemul de încălzire al aparatului se cuplează automat. Apa se încălzește. Puteți modifica temperatura apei prin intermediul armăturii:

Pentru cantitățile de pornire vezi capitolul „Date tehnice / Tabel de date / Pornire”.

Creșterea temperaturii

- ▶ Reglați debitul prin intermediul armăturii.

Reducerea temperaturii

- ▶ Deschideți mai mult armătura sau amestecați cu mai multă apă rece.

După întreruperea alimentării cu apă

Vezi capitolul „Punerea în funcțiune / Repunerea în funcțiune”.

5. Curățarea, îngrijirea și întreținerea

- ▶ Nu utilizați detergenți abrazivi sau solvenți. Pentru îngrijirea și curățarea aparatului este suficientă o lavetă umedă.
- ▶ Controlați garniturile în mod regulat. Calcarul depus la căile de evacuare ale bateriei se poate îndepărta cu soluții de decalcifiere din comerț.
- ▶ Lăsați la verificat în mod regulat siguranța electrică a aparatului de către un specialist.
- ▶ Decalcificați sau înlocuiți în mod regulat regulatorul de jet special din armătură (vezi capitolul „Descrierea aparatului / Accesorii”).

6. Remedierea problemelor

Problemă	Cauză	Remediere
Sistemul de încălzire nu se conectează, cu toate că robinetul de apă caldă a fost deschisă complet.	La aparat nu există tensiune de alimentare.	Verificați siguranța la tabloul electric.
	La regulatorul de jet din armătură sunt depunerii de calcar sau este murdar.	Curățați și / sau decalcificați regulatorul de jet sau înlocuiți regulatorul de jet special.
	Alimentarea cu apă este întreruptă.	Aerisiți aparatul și conducta de alimentare cu apă rece (vezi capitolul „Instalări”).

Dacă nu puteți remedia cauza, contactați tehnicianul de specialitate. Pentru un ajutor mai bun și mai rapid, comunicați acestuia numărul de pe placa de identificare cu (000000-0000-00000).

●	Model: <input type="text" value="EIL . . ."/>	Nr E: <input type="text" value="000000"/>	●
	Nr F: <input type="text" value="0000-00000"/>		

INSTALARE

7. Siguranța

Instalarea, punerea în funcțiune, precum și întreținerea și repararea aparatului nu sunt permise decât tehnicianului de specialitate.

7.1 Indicații generale de siguranță

Buna funcționare și siguranța aparatului sunt garantate numai dacă sunt utilizate accesoriile și piesele de schimb originale prevăzute pentru aparat.



Pagube materiale

Respectați temperatura maximă de alimentare admisă. La temperaturi mai înalte aparatul se poate deteriora. Cu o armătură termostatăă centrală puteți limita temperatura de intrare.

7.2 Prevederi, norme și reglementări



Indicație

Respectați toate prevederile și reglementările naționale și locale.

Rezistența electrică specifică a apei nu trebuie să fie mai mică decât cea indicată pe placa de identificare. În cazul unei rețele colective de apă respectați rezistența electrică cea mai redusă a apei (vezi capitolul „Date tehnice / Tabel de date”). Rezistența electrică specifică, sau conductibilitatea electrică a apei, o veți afla de la întreprinderea locală de alimentare a apei.

8. Descrierea instalației

8.1 Conținutul livrării

Împreună cu aparatul sunt livrate:

- Sită pentru alimentarea cu apă rece
- Regulator de jet special
- Furtun de racord 3/8, 500 mm lungime, cu garnituri de etanșare*
- Piesă în T 3/8*

* pentru racordarea ca aparat sub presiune

8.2 Accesorii

Regulator de jet special



Indicație

La montarea unui regulator de jet special în armătură obțineți un jet optim de apă.

Garnituri

- Utilizați armături adecvate.

Armături sub presiune

Armături adecvate rezistente la presiune puteți procura în magazinele de specializate.

Armături fără presiune

- MAW (OT) - armătură perete fără presiune
- MAZ (UT) - armătură perete fără presiune cu doi robineti
- MAE (UTE) - armătură perete fără presiune cu o manetă

9. Pregătiri

- ▶ Purjați temeinic conducta de apă.

Instalație apă

Nu este necesar un ventil de siguranță.

10. Montaj

10.1 Loc montaj

Montați aparatul într-o încăpere ferită de îngheț în apropierea unei armături de extragere.

Acordați atenție accesului lateral facil la șuruburile de fixare a capacelor.

Aparatul este adecvat numai montajului sub chiuvetă (racorduri de apă în sus).



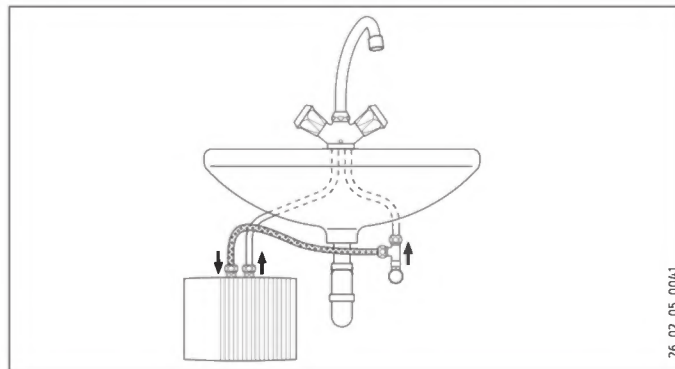
PERICOL de electrocutare

Tipul de protecție IP25 este prevăzut numai dacă panoul din spate al aparatului este montat.

- ▶ Montați întotdeauna panoul din spate al aparatului.

10.2 Alternative de montaj

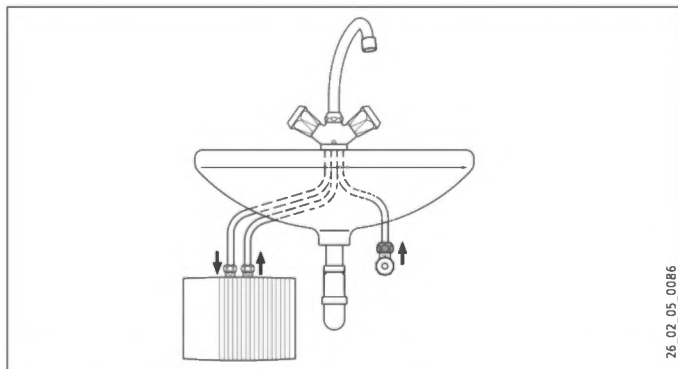
Montaj sub chiuvetă, sub presiune, cu armătură sub presiune



INSTALARE

Montaj

Montarea sub chiuvetă, fără presiune, cu armătură fără presiune



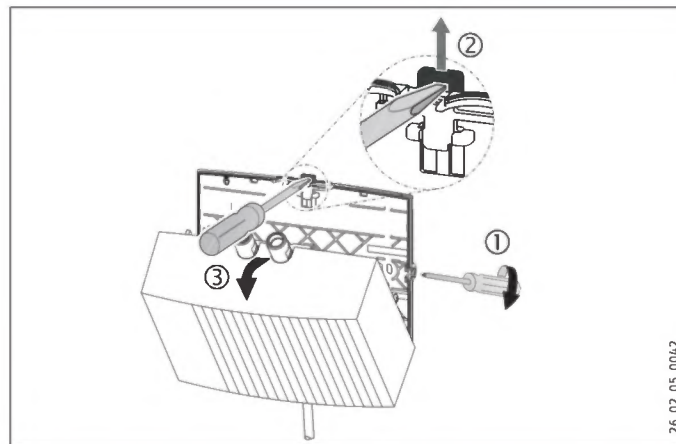
10.2.1 Montarea aparatului

- ▶ Montați aparatul la perete.



Indicație

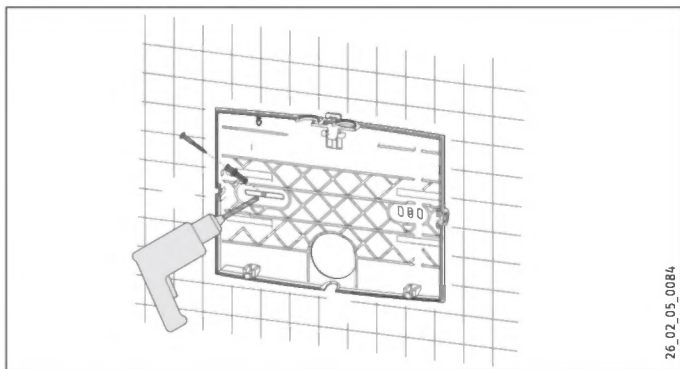
Peretele trebuie să aibă o capacitate portantă suficientă.



- ▶ Desfaceți șuruburile de fixare ale capacului cu două rotații.
- ▶ Deblocați închiderea cu resort cu o șurubelniță.
- ▶ Scoateți capacul aparatului cu sistem de încălzire în față.
- ▶ Realizați trecerile pentru cablul electric în capacul aparatului cu ajutorul unui clește. Corectați conturul event. cu o pilă.

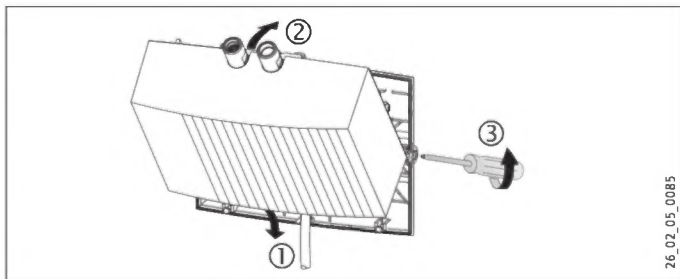
INSTALARE

Montaj



26_02_05_0084

- ▶ Utilizați panoul din spatele aparatului drept șablon de găurire.
- ▶ Fixați panoul din spatele aparatului cu dibluri și șuruburi adecvate la perete.



26_02_05_0085

- ▶ Introduceți cablul electric prin orificiul de trecere al panoului din spate.
- ▶ Atârnați capacul aparatului împreună cu sistemul de încălzire la partea inferioară.
- ▶ Blocați sistemul de încălzire în închizătoarea cu resort.
- ▶ Fixați capacul aparatului cu șuruburile de fixare ale capacului.

10.2.2 Montarea armăturii



Pagube materiale

La montarea tuturor racordurilor trebuie să țineți contra la aparat cu o cheie SW 14.

Racord rezistent la presiune

- ▶ Montați furtunul de racordare 3/8 și piesa în T 3/8, livrate împreună cu aparatul.
- ▶ Montați armătura. Acordați atenție la efectuarea acestei operațiuni și instrucțiunilor de instalare și utilizare ale armăturii.

Racord fără presiune

- ▶ Montați armătura. Acordați atenție la efectuarea acestei operațiuni și instrucțiunilor de instalare și utilizare ale armăturii.

10.3 Realizare conexiuni electrice



PERICOL de electrocutare

Efectuați toate lucrările de conexiune și instalare conform prevederilor.



PERICOL de electrocutare

Acordați atenție ca aparatul să fie conectat la conductorul de protecție.

Aparatul trebuie deconectat de la rețeaua de curent de la toți polii pe o distanță minimă de 3 mm.



PERICOL de electrocutare

În starea de livrare, aparatele sunt echipate cu un cablu electric (EIL 3 Plus cu ștecăr).

O conectare la un cablu electric pozat fix este posibilă dacă aceasta are o secțiune minimă corespunzătoare cablului electric de serie al aparatului. Maxim este posibilă o secțiune a cablului de 3 x 6 mm².



Pagube materiale

Acordați atenție faptului ca la racordarea unei prize cu contact de protecție (în cazul unui cablu electric cu ștecăr) ca priza cu contact de protecție să fie liber accesibilă după instalarea aparatului.



Pagube materiale

Observați placa de identificare a aparatului. Tensiunea indicată trebuie să corespundă tensiunii de rețea.

- ▶ Conectați cablul electric în conformitate cu planul electric (vezi capitolul „Date tehnice / Schema de conexiuni electrice”).

11. Punerea în funcțiune

11.1 Prima punere în funcțiune



- ▶ Umpleți aparatul prin mai multe porniri succesive la armătură până când rețeaua de conducte și aparatul nu mai conțin aer.
- ▶ Realizați un control al etanșeității.
- ▶ Introduceți ștecărul cu cablu electric, dacă este prevăzut, în priza cu contact de protecție sau cuplați siguranța.
- ▶ Verificați modul de funcționare al aparatului.

Oprirea aparatului

11.2 Predarea aparatului

- ▶ Explicați utilizatorului funcționarea aparatului și obișnuiți-l cu utilizarea acestuia.
- ▶ Avertizați utilizatorul asupra posibilelor pericole, în special asupra pericolului de opărire.
- ▶ Predați aceste instrucțiuni.

11.3 Repunerea în funcțiune



Pagube materiale

După întreruperea alimentării cu apă repuneți în funcțiune aparatul urmând următorii pași, pentru a nu se distruge sistemul de încălzire cu conductori neizolați.

- ▶ Decuplați aparatul de la tensiune. Scoateți pentru aceasta ștecărul cu cablu electric, dacă este prevăzut, sau decuplați siguranța.
- ▶ Vezi capitolul „Prima punere în funcțiune”.

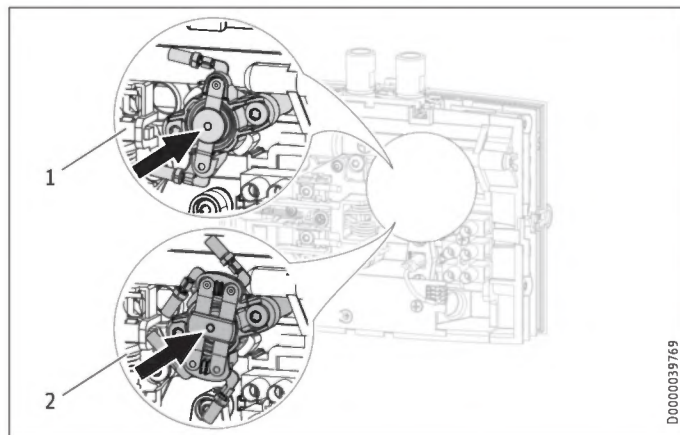
12. Oprirea aparatului

- ▶ Separați aparatul de la tensiunea de alimentare de la siguranța din tabloul electric sau scoateți ștecărul cu cablu electric din priză.
- ▶ Goliți aparatul (vezi capitolul „Întreținerea”).

13. Remedierea perturbațiilor

Problemă	Cauză	Remediere
Sistemul de încălzire nu se conectează, cu toate că robinetul de apă caldă a fost deschisă complet.	La regulatorul de jet din armătură sunt depuneri de calcar sau este murdar.	Curățați și / sau decalcificați regulatorul de jet sau înlocuiți regulatorul de jet special.
	Sita din conducta de apă rece este înfundată.	Curățați sita după blocarea alimentării cu apă rece.
	Sistemul de încălzire este defect.	Măsurați rezistența sistemului de încălzire, event. înlocuiți aparatul.
	Limitatorul de presiune de protecție s-a declanșat.	Remediați sursa defecțiunii. Eliberați aparatul de sub tensiune și depresurizați conducta de apă. Activați limitatorul presiunii de protecție.

Activați limitatorul presiunii de protecție



- 1 Limitator presiune de protecție 1 pin EIL 4 Plus / EIL 6 Plus
- 2 Limitator presiune de protecție 2 pin EIL 3 Plus / EIL 7 Plus

14. Întreținerea



PERICOL de electrocutare
Separați aparatul de la rețea de la toți polii la efectuarea tuturor lucrărilor.

14.1 Golirea aparatului



PERICOL de opărire
La golire se poate scurge și apă încinsă.

Dacă trebuie să goliți aparatul în vederea lucrărilor de întreținere sau la pericol de îngheț pentru protecția întregii instalații procedați în felul următor:

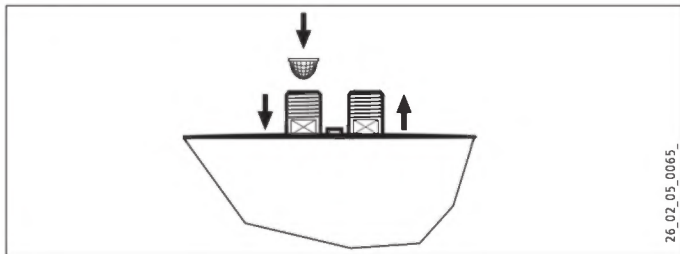
- ▶ Închideți vana de blocare din conducta de alimentare cu apă rece.
- ▶ Deschideți ventilul de extragere.
- ▶ Desfaceți racordurile de apă de la aparat.

INSTALARE

Întreținerea

14.2 Curățați sita

Puteți curăța sita integrată după demontarea conductei de apă rece.



14.3 Verificări conform VDE 0701/0702

Verificarea conductorului de împământare

- ▶ Verificați conductorul de protecție (în Germania de ex. DGUV A3) la contactul conductorului de protecție al cablului electric și la ștuțul de racordare al aparatului.

Rezistență izolație

- ▶ Dacă un aparat cu un randament caloric de $> 3,5$ kW nu atinge rezistența de izolație de 300 k Ω , atunci recomandăm să verificați proprietățile de izolație ale acestui aparat cu ajutorul măsurării curentului diferențial la curentul conductorului împământare / curentul de scurgere conform VDE 0701/0702 (figura C.3b).

14.4 Depozitarea aparatului

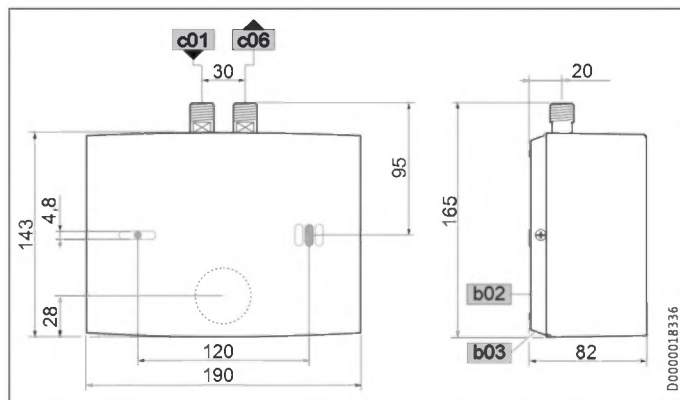
- ▶ Depozitați aparatul demontat într-o încăpere ferită de îngheț, deoarece apa reziduală din aparat ar putea îngheța și provoca avarii.

14.5 Înlocuirea cablului electric la EIL 6 Plus

- ▶ La EIL 6 Plus trebuie să folosiți în caz de înlocuire un cablu electric de 4 mm 2 .

15. Date tehnice

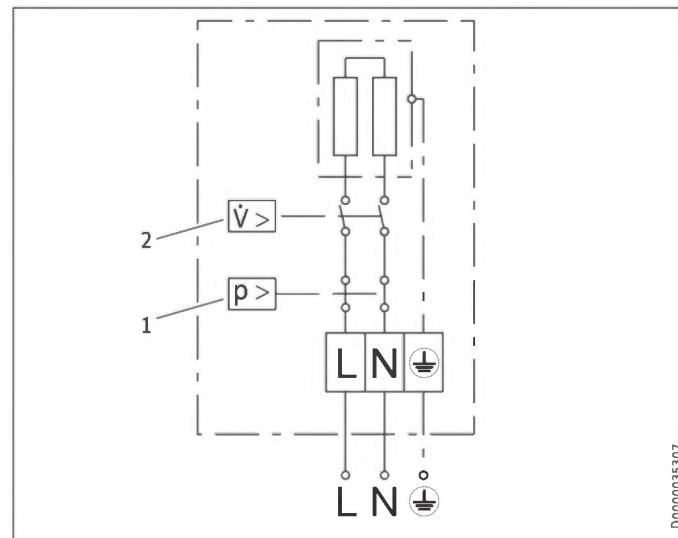
15.1 Dimensiuni



b02	Executarea cablărilor elect. I		
b03	Executarea cablărilor elect. II		
c01	Alimentarea cu apă rece	Filet exterior	G 3/8 A
c06	Evacuare apă caldă	Filet exterior	G 3/8 A

15.2 Schemă de conexiune electrică

15.2.1 EIL 3 Plus 1/N/PE ~ 200-240 V

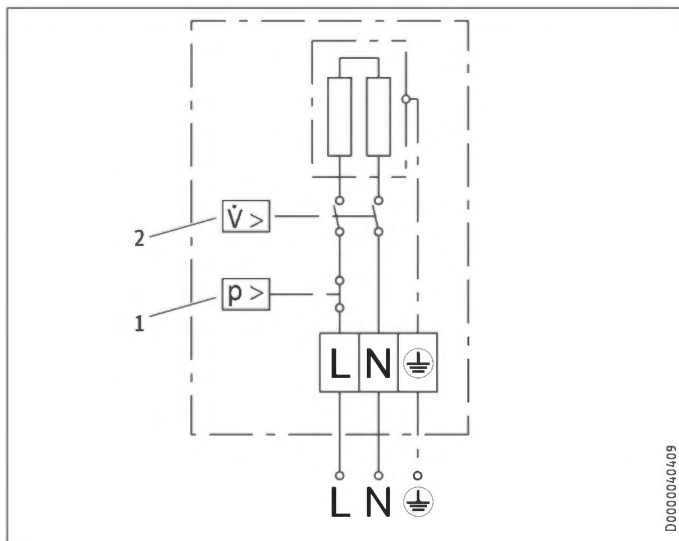


- 1 Limitatorul presiunii de siguranță
- 2 Comutator diferențial presiune

INSTALARE

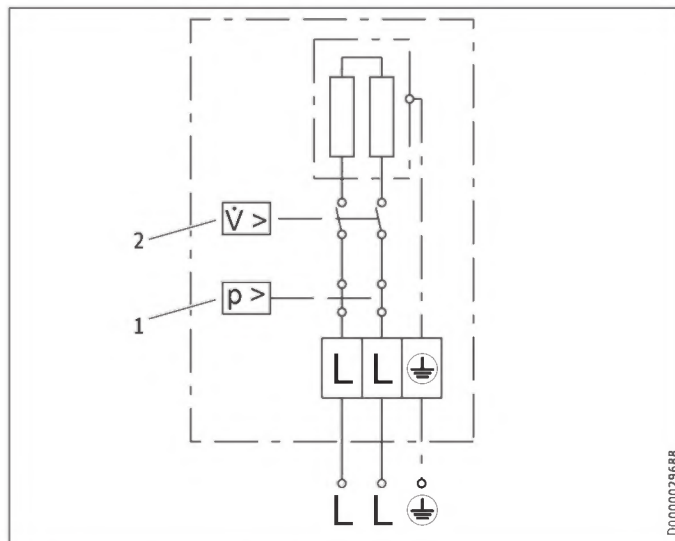
Date tehnice

15.2.2 EIL 4 Plus și EIL 6 Plus 1/N/PE ~ 200-240 V



- 1 Limitatorul presiunii de siguranță
- 2 Comutator diferențial presiune

15.2.3 EIL 7 Plus 2/PE ~ 380-415 V



- 1 Limitatorul presiunii de siguranță
- 2 Comutator diferențial presiune



Pagube materiale

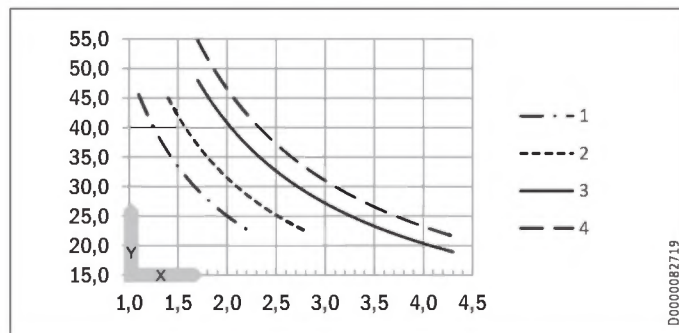
- La racordare fixă conectați cablul electric conform marcajelor bornelor prizei.

INSTALARE

Date tehnice

15.3 Creșterea temperaturii

La o tensiune de 230 V / 400 V rezultă următoarele creșteri ale temperaturii apei:



X Debit în l/min

Y Creștere temperatură în K

1 3,5 kW - 230 V

2 4,4 kW - 230 V

3 5,7 kW - 230 V

4 6,5 kW - 400 V

Exemplu EIL 3 Plus cu 3,5 kW

Debit	l/min	2,0
Creșterea temperaturii	K	25
Temperatură intrare apă rece	°C	12
Temperatură ieșire maxim posibilă	°C	37

15.4 Domenii de utilizare

Pentru rezistența și conductibilitatea electrică specifică, vezi „Tabel de date”.

Date normate la 15 °C			20 °C			25 °C		
Spec. rezis-tență $\rho \geq$	Spec. conducti-bilitate $\sigma \leq$		Spec. rezis-tență $\rho \geq$	Spec. conducti-bilitate $\sigma \leq$		Spec. rezis-tență $\rho \geq$	Spec. conducti-bilitate $\sigma \leq$	
Ωcm	mS/m	$\mu\text{S/cm}$	Ωcm	mS/m	$\mu\text{S/cm}$	Ωcm	mS/m	$\mu\text{S/cm}$
1100	91	909	970	103	1031	895	112	1117

INSTALARE

Date tehnice

15.5 Informații privind consumul de energie

Fișă de date produs: Preparator de apă caldă convențional conform ordonanței (UE) nr. 812/2013 | 814/2013

		EIL 3 Plus	EIL 4 Plus	EIL 6 Plus	EIL 7 Plus
		200138	200139	200140	200141
Producător		STIEBEL ELTRON	STIEBEL ELTRON	STIEBEL ELTRON	STIEBEL ELTRON
Profil de sarcină		XXS	XXS	XXS	XS
Clasa de eficiență energetică		A	A	A	A
Randamentul energetic	%	39	38	39	40
Consum anual energie electrică	kWh	478	478	478	466
Nivelul puterii acustice	dB(A)	15	15	15	15
Indicații speciale privind măsurarea eficienței		fără	fără	fără	fără
Consum zilnic de energie electrică	kWh	2,200	2,200	2,200	2,130

INSTALARE

Date tehnice

15.6 Tabel de date

		EIL 3 Plus				EIL 4 Plus				EIL 6 Plus				EIL 7 Plus		
		200138				200139				200140				200141		
Date electrice																
Tensiune nominală	V	200	220	230	240	200	220	230	240	200	220	230	240	380	400	415
Putere nominală	kW	2,7	3,2	3,53	3,8	3,3	4,0	4,4	4,8	4,3	5,2	5,7	6,2	5,9	6,5	7,0
Curent nominal	A	13,3	14,5	15,2	15,8	16,7	18,2	19,1	20	21,6	23,6	24,7	25,8	15,5	16,3	16,9
Siguranță	A	16				20				25	25	25	32	16	20	20
Frecvență	Hz	50/60				50/60				50/60				50/60	50/60	50/-
Faze		1/N/PE				1/N/PE				1/N/PE				2/PE		
Rezistența specifică p15 ≥	Ω cm	1100				1100				1100				1100		
Conductibilitate specifică σ15 ≤	μS/cm	909				909				909				909		
Impedanță max. rețea la 50Hz	Ω									0,394	0,377	0,361				
Racorduri																
Racordul de apă		G 3/8 A				G 3/8 A				G 3/8 A				G 3/8 A		
Limite de utilizare																
Presiune maximă admisă	MPa	1				1				1				1		
Valori																
Temperatură maximă admisă de intrare apă	°C	35				35				35				35		
Pornit	l/min	> 1,6				> 2,0				> 2,6				> 2,6		
Pierdere presiune la debit volumetric	MPa	0,05				0,06				0,08				0,08		
Debit volumetric pentru pierderea de presiune	l/min	1,6				2,0				2,6				2,6		
Limitarea debitului volumetric la	l/min	2,2				2,8				4,3				4,3		
Prepararea apei calde	l/min	2,0				2,5				3,2				3,7		
Δθ la preparare	K	25				25				25				25		
Date hidraulice																
Capacitate nominală	l	0,1				0,1				0,1				0,1		

INSTALARE

Date tehnice

		EIL 3 Plus	EIL 4 Plus	EIL 6 Plus	EIL 7 Plus
Variante de execuție					
Tip montaj sub masă		X	X	X	X
Tipul construcției Deschis		X	X	X	X
Tip construcție, închis		X	X	X	X
Clasă de protecție		1	1	1	1
Bloc de izolare		Plastic	Plastic	Plastic	Plastic
Generator de căldură sistem de încălzire		Fir neizolat	Fir neizolat	Fir neizolat	Fir neizolat
Capacul și panoul spate		Plastic	Plastic	Plastic	Plastic
Culoare		alb	alb	alb	alb
Clasă de protecție (IP)		IP25	IP25	IP25	IP25
Dimensiuni					
Înălțime	mm	143	143	143	143
Lățime	mm	190	190	190	190
Adâncime	mm	82	82	82	82
Lungime cablu	mm	700	700	700	700
Mase					
Masa	kg	1,4	1,4	1,4	1,4



Indicație

Aparatul corespunde cu IEC 61000-3-12.

Garanție

Pentru aparatele procurate din afara Germaniei nu sunt valabile condițiile de garanție ale societăților noastre din Germania. Mai mult, în țările în care produsele noastre sunt distribuite de una din filialele noastre, o garanție este acordată numai de către aceste filiale. O asemenea garanție se acordă numai atunci când filiala a editat propriile condiții de garanție. Nu se acordă nici un fel de garanție în afară de aceasta.

Pentru aparatele care au fost procurate din țări în care nici o filială de a noastră nu distribuie produsele noastre, nu acordăm nici un fel de garanție. Posibilele garanții acordate de către importator rămân de aceea neafectate.

Mediu și reciclare

Vă rugăm să ajutați la protecția mediului. Eliminați materialele după utilizare conform prescripțiilor naționale.

KÜLÖNLEGES TUDNIVALÓK

KEZELÉS

1. Általános tudnivalók	158
1.1 Biztonsági tudnivalók	158
1.2 A dokumentumban használt egyéb jelölések	159
1.3 Mértékegységek	159
2. Biztonság	160
2.1 Rendeltetésszerű használat	160
2.2 Általános biztonsági tudnivalók	160
2.3 Vizsgálati jelölés	161
3. Készülék-leírás	161
4. Beállítások	161
5. Tisztítás, ápolás és karbantartás	161
6. Hibaelhárítás	162

FELSZERELÉS

7. Biztonság	162
7.1 Általános biztonsági tudnivalók	162
7.2 Előírások, szabványok és rendelkezések	163
8. Készülék-leírás	163
8.1 A készlet tartalma	163
8.2 Tartozékok	163
9. Előkészületek	164
10. Szerelés	164
10.1 Felszerelési hely	164
10.2 Felszerelési variációk	164

10.3 A elektromos csatlakozás kialakítása	167
11. Üzembe helyezés	167
11.1 Első üzembe helyezés	167
11.2 A készülék átadása	168
11.3 Újbóli üzembe helyezés	168
12. Üzemen kívül helyezés	168
13. Üzemzavar-elhárítás	168
14. Karbantartás	169
14.1 A készülék ürítése	169
14.2 A szűrő tisztítása	170
14.3 A VDE 0701/0702 szerinti vizsgálatok	170
14.4 A készülék tárolása	170
14.5 Az elektromos bekötővezeték cseréje az EIL 6 Plus esetén	170
15. Műszaki adatok	171
15.1 Méretek	171
15.2 Elektromos kapcsolási rajz	171
15.3 Hőmérséklet-növelés	173
15.4 Alkalmazási területek	173
15.5 Energiafogyasztási adatok	174
15.6 Adattáblázat	175

GARANCIA

KÖRNYEZETVÉDELEM ÉS ÚJRAHASZNOSÍTÁS

KÜLÖNLEGES TUDNIVALÓK

- A készüléket 3 éves kort betöltött gyermekek, valamint testi, érzékszervi vagy szellemi fogyatékossgal élők, nem hozzáértő és a terméket nem ismerő személyek csak megfelelő felügyelet mellett vagy a készülék biztonságos használatával kapcsolatos alapvető utasítások és a járulékos veszélyek ismeretében használhatják. Gyermekek nem játszhatnak a készülékekkel. Gyermekek nem végezhetik a készülék tisztítását és felhasználói karbantartását felügyelet nélkül.
- A csaptelep hőmérséklete működés közben 50 °C-nál is magasabb lehet. 43 °C-nál magasabb kiömlési hőmérséklet esetén fennáll a leforrázás veszélye.
- A készülék zuhanyozó (zuhany-üzemmód) ellátására nem alkalmas
- Összpólusú, legalább 3 mm érintkező távolságú megszakítóval kell biztosítani a leválasztás lehetőségét a hálózatról.
- A megadott feszültségnek meg kell egyeznie a hálózati feszültséggel.
- Az EIL 3 Plus típus kivételével a készüléket fixen kell bekötni.
- A hálózati tápkábelt – annak sérülése vagy cseréje esetén – csak a gyártó által jóváhagyott szakember cserélheti ki eredeti pótalkatrész felhasználásával.
- A készüléket a „Telepítés/Szerelés“ c. fejezetben leírtak szerint erősítse fel.
- Ügyeljen a megengedett maximális nyomásra (lásd a „Műszaki adatok / Adattáblázat“ c. fejezetet).

Általános tudnivalók

- A készülék telepítésekor a fajlagos vízellenállás nem lehet kisebb a vízellátó hálózatra megadott értéknél (lásd a „Műszaki adatok / Adattáblázat“ c. fejezetet).
- Ūrítse le a készüléket, a „Telepítés / Karbantartás / A készülék leürítése“ c. fejezet szerint.

KEZELÉS

1. Általános tudnivalók

A „Kezelés“ c. fejezet felhasználók és szakemberek számára készült.

A „Telepítés“ c. fejezet szakemberek számára szükséges információkat tartalmaz.



Tudnivaló

A használatot megelőzően gondosan olvassa el ezt az útmutatót és őrizze meg azt.

Ha továbbadja a készüléket, akkor az útmutatót is adja át a következő felhasználónak.

1.1 Biztonsági tudnivalók

1.1.1 A biztonsági tudnivalók felépítése



JELZŐSZÓ A veszély jellege




Itt a biztonsági utasítások figyelmen kívül hagyásából adódó esetleges következmények találhatóak.

► Itt a veszély elhárításához szükséges intézkedések találhatóak.

KEZELÉS

Általános tudnivalók

1.1.2 Szimbólumok, a veszély jellege

Szimbólum	A veszély jellege
	Sérülés
	Áramütés
	Égési sérülés (Égési sérülés, forrázás)

1.1.3 Jelzőszavak

JELZŐSZÓ	Jelentése
VESZÉLY	Olyan tudnivalók, amelyek figyelmen kívül hagyása súlyos vagy halálos sérülést okoz.
FIGYELMEZTETÉS	Olyan tudnivalók, amelyek figyelmen kívül hagyása súlyos vagy halálos sérülést okozhat.
VIGYÁZAT	Olyan tudnivalók, amelyek figyelmen kívül hagyása közepesen súlyos vagy könnyű sérülést okozhat.

1.2 A dokumentumban használt egyéb jelölések



Tudnivaló

A tudnivalókat a szöveg alatt vagy fölött található vízszintes vonalak határolják. Az általános tudnivalókat a mellettük lévő szimbólumok jelölik.

► Gondosan olvassa át a szöveges tudnivalókat.

Szimbólum



Anyagi kár
(a készülék sérülése, következményként fellépő kár, környezeti kár)



A készülék elszállítása hulladékként

► Ez a szimbólum jelzi Önnek, hogy valamit tennie kell. A szükséges műveleteket lépésről lépésre ismertetjük.

1.3 Mértékegységek



Tudnivaló

Egyéb előírás híján a méretek mm-ben értendők.

2. Biztonság

2.1 Rendeltetésszerű használat

A készülék háztartási használatra készült. A készülék betanítás nélkül is biztonságosan használható. A készülék nem háztartási (pl. kisvállalkozói) környezetben is használható, amennyiben a felhasználás módja azonos.

A készülék ivóvíz felmelegítésére szolgál. A készüléket mosdó-
kagylóhoz tervezték.

Az ettől eltérő vagy ezen túlmutató használat rendeltetéstől eltérőnek minősül. A rendeltetésszerű használat egyúttal azt is feltételezi, hogy betartják a jelen útmutatóban valamint az alkalmazott tartozékok útmutatóiban foglaltakat is.

2.2 Általános biztonsági tudnivalók



Leforrzás VESZÉLYE

A csaptelep hőmérséklete működés közben 50 °C-nál is magasabb lehet. 43 °C-nál magasabb kiömlési hőmérséklet esetén fennáll a leforrzás veszélye.



FIGYELMEZTETÉS Sérülés

A készüléket 3 éves kort betöltött gyermekek, valamint testi, érzékszervi vagy szellemi fogyatékosággal élők, nem hozzáértő és a terméket nem ismerő személyek csak megfelelő felügyelet mellett vagy a készülék biztonságos használatával kapcsolatos alapvető utasítások és a járulékos veszélyek ismeretében használhatják. Gyermekek nem játszhatnak a készülékkel. Gyermekek nem végezhetik a készülék tisztítását és felhasználói karbantartását felügyelet nélkül.



VESZÉLY Áramütés

Szakemberrel ki kell cseréltetni a sérült elektromos csatlakozóvezetékeket. Ezáltal kizárható az esetleges kockázat.



Anyagi kár

A készüléket és a csaptelepet védeni kell a fagytól.



Anyagi kár

Csak a készülékkel együtt leszállított speciális sugár-
szabályzót használja. Akadályozza meg a kifolyócsövek
vízkövesedését (lásd a „Tisztítás, ápolás és karbantartás”
c. fejezetet).

KEZELÉS

Készülék-leírás

2.3 Vizsgálati jelölés

Lásd a készülék típusabláját.

3. Készülék-leírás

A hidraulikus működtetésű, átfolyó üzemű mini vízmelegítő a vizet közvetlenül a vételezési helynél melegíti fel. A csaptelep megnyitásakor automatikusan bekapcsolódik a fűtőteljesítmény. A rövid vezeték hosszának köszönhetően alacsony az energia- és vízveszteségek.

A HMV teljesítmény a hidegvíz hőmérsékletétől, a fűtőteljesítménytől és az átfolyó mennyiségtől függ.

A csupaszdrótos fűtésrendszer lágy és kemény víztípusokkal is használható. A fűtésrendszer egyáltalán nem érzékeny a vízkezelésre. A fűtésrendszer gyors és hatékony melegvíz-ellátást biztosít a mosdókagylónál.

A készülékkel együtt leszállított speciális sugárszabályzó garantálja az optimális vízugarat.

4. Beállítások

A csaptelep melegvíz-szelepének megnyitásakor, illetve érzékelős csaptelep esetén az érzékelő aktiválásakor a készülék fűtésrendszere automatikusan bekapcsolódik. A víz felmelegszik. A víz hőmérséklet a csapteleppel állítható:

A bekapcsolási mennyiséggel kapcsolatosan lásd a „Műszaki adatok / Adattáblázat / Be“ c. fejezetet.

A hőmérséklet növelése

- ▶ Fojtsa le a csaptelepen átfolyó mennyiséget.

A hőmérséklet csökkentése

- ▶ Nyissa tovább a csaptelepet vagy keverjen hozzá több hideg vizet.

Teendők a vízellátás szüneteltetését követően

Lásd az „Üzembe helyezés / Ismételt üzembe helyezés“ c. fejezetet.



5. Tisztítás, ápolás és karbantartás

- ▶ Súroló hatású vagy oldószertartalmú tisztítószer használata tilos! A készülék ápolása és tisztítása nedves ruhával végezhető.
- ▶ Rendszeresen ellenőrizze a csaptelepeket. A csaptelepek kifolyócsövein lerakódott vízkő kereskedelmi forgalomban kapható vízkőoldóval eltávolítható.
- ▶ Rendszeresen ellenőriztesse a készülék elektromos biztonságát megfelelő szakemberrel.
- ▶ Rendszeresen végezze el a csaptelep speciális sugárszabályzójának vízkőmentesítését, illetve felújítását (lásd az „A készülék leírása / Tartozékok“ című fejezetet).

6. Hibaelhárítás

Probléma	Ok	Elhárítás
A készülék még akkor sem kapcsolódik be, ha teljesen meg van nyitva a melegvíz-csap.	A készülék nem kap feszültséget.	Ellenőrizze a biztosítékot az épület elektromos rendszerében.
	A csaptelep sugárszabályzója elvízkövesedett vagy elszennyeződött.	Tisztítsa meg és/vagy vízkőmentesítse a sugárszabályzót vagy cserélje ki a speciális sugárszabályzót.
	Megszűnt a vízellátás.	Légtelenítse a készüléket és a hidegvíz-bekötővezetékét (lásd a „Beállítások” c. fejezetet).

Ha az okot nem tudja elhárítani, akkor forduljon szakemberhez. A hathatósabb és gyorsabb segítség érdekében adja meg a típus-táblán feltüntetett gyári számot (000000-0000-00000).

	
Típus: <input type="text" value="EIL . . ."/>	E-sz.: <input type="text" value="000000"/>
F-sz.: <input type="text" value="0000-00000"/>	

FELSZERELÉS

7. Biztonság

A készülék felszerelését, üzembe helyezését, illetve karbantartását és javítását csak szakember végezheti.

7.1 Általános biztonsági tudnivalók

A kifogástalan működést és az üzembiztonságot csak abban az esetben garantáljuk, ha a készülékhez való eredeti tartozékokat és eredeti pótalkatrészeket használják.



Anyagi kár

Tartsa be a maximális megengedett beömlési hőmérsékletet. Magasabb hőmérséklet esetén a készülék károsodhat. Központi termosztátos csaptelep esetén a beömlési hőmérséklet korlátozható.

FELSZERELÉS

Készülék-leírás

7.2 Előírások, szabványok és rendelkezések



Tudnivaló

Tartson be minden nemzeti és helyi előírást, illetve rendelkezést.

A víz fajlagos elektromos ellenállása nem lehet kisebb a típustáblán megadott értéknél. Összekapcsolt vízhálózat esetén figyelembe kell venni a legalacsonyabb elektromos vízellenállás értékre vonatkozó előírást (lásd a „Műszaki adatok / Adattábla“ c. fejezetet). A víz fajlagos elektromos ellenállásáról, illetve a víz vezetőképességéről a vízszolgáltatónál tájékozódhat.

8. Készülék-leírás

8.1 A készlet tartalma

A készülékkel együtt leszállított tartozékok:

- Hidegvíz-bekötővezeték szűrő
- Speciális sugárszabályzó
- 3/8-os csatlakozótömlő, 500 mm hosszú, tömítéssel*
- 3/8-os T-idom*

* nyomásálló készülékhez való csatlakoztatáshoz

8.2 Tartozékok

Speciális sugárszabályzó



Tudnivaló

A csaptelep beépített speciális sugárszabályzója optimális vízszugarat biztosít.

Csaptelepek

- Használjon megfelelő csaptelepet!

Nyomásálló csaptelepek

A szakkereskedőtől beszerezhető a megfelelő nyomásálló csaptelepek.

Nyomásmentes csaptelepek

- MAW (OT) - nyomásmentes fali csaptelep
- MAZ (UT) - nyomásmentes kétfogantyús mosdó csaptelep
- MAE (UTE) - nyomásmentes egykaros mosdó csaptelep

9. Előkészületek

- ▶ Alaposan öblítse át a vízvezetékét.

Vízszelelés

Biztonsági szelepre nincs szükség.

10. Szerelés

10.1 Felszerelési hely

A készüléket fagymentes helyiségben szerelje fel a vízvételi csaptelep közelében.

Ügyeljen arra, hogy a fedél oldalsó rögzítőcsavarjai hozzáférhetőek legyenek.

A készülék csak pult alá (felső vízcsatlakozókkal) lehet felszerelni.



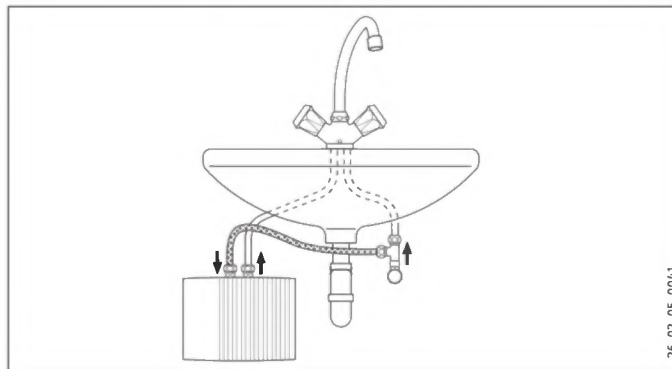
VESZÉLY Áramütés

Az IP 25 védettség csak a készülék hátfalának felszerelt állapotában érvényes.

- ▶ Mindig szerelje fel a készülék hátfalát.

10.2 Felszerelési variációk

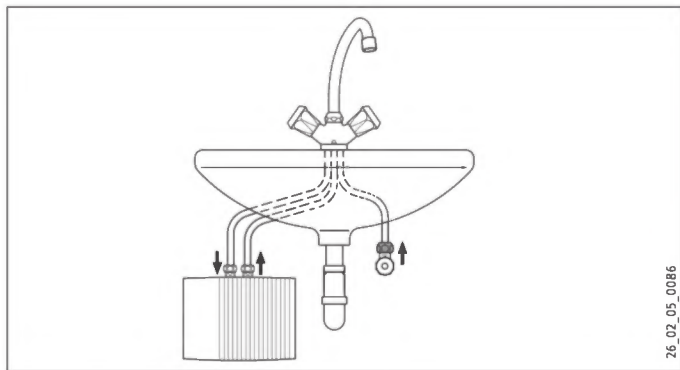
Pult alatti szerelés, nyomásálló nyomásálló csapteleppel



FELSZERELÉS

Szerelés

Pult alatti, nyomásmentes szerelés, nyomásmentes csapteleppel



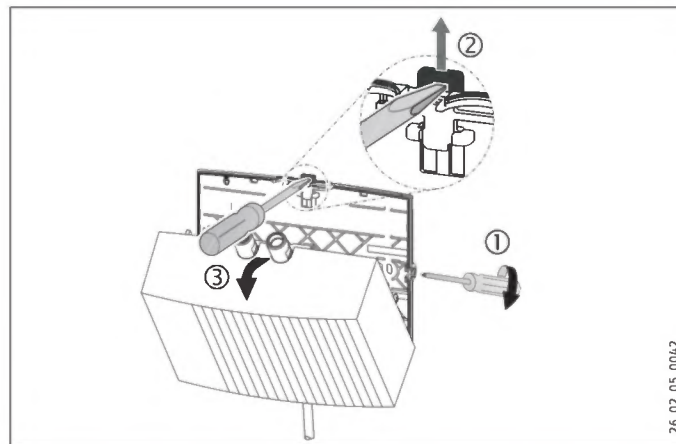
10.2.1 A készülék felszerelése

- ▶ Szerelje a készüléket a falra.



Tudnivaló

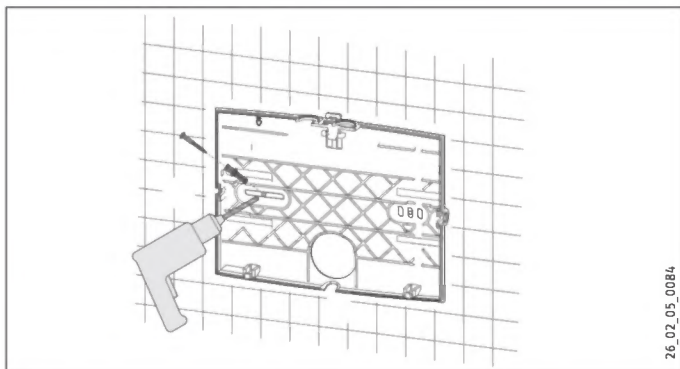
A fal teherbírása elegendő kell, hogy legyen.



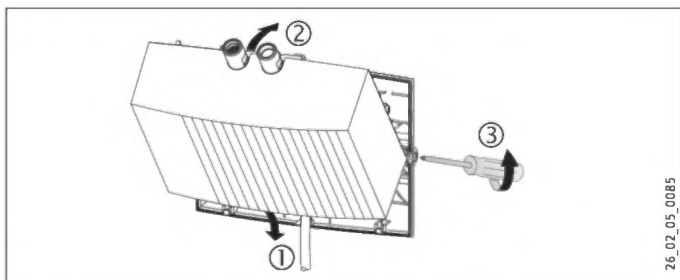
- ▶ Lazítsa meg a fedél rögzítőcsavarjait két fordulattal.
- ▶ Csavarhúzóval reteszelje ki a csapózarat.
- ▶ Előrefelé vegye le a készülék fedelét a fűtésrendszerrel.
- ▶ Fogóval törje ki az elektromos bekötővezeték átvezető nyílásait a készülék fedelén. A kitört nyílás egyenetlenségeit reszelővel korrigálhatja.

FELSZERELÉS

Szerelés



- ▶ Furósablontként használja a készülék hátfalát.
- ▶ Rögzítse a falhoz a készülék hátfalát megfelelő tiplik és csavarok segítségével.



- ▶ Vezesse be az elektromos bekötővezetékét a hátfali átvezető nyíláson.
- ▶ Alul akassza be a készülékfedelelet a fűtésrendszerrel.
- ▶ Pattintsa a fűtésrendszert a csapózárba.
- ▶ Rögzítse a készülékfedelelet a fedélrögzítő-csavarokkal.

10.2.2 A csapterlep felszerelése



Anyagi kár

Minden csatlakozó szereléskor a készüléknél 14-es kulcsnyílású kulccsal kell ellentartani.

Nyomásálló bekötés

- ▶ Szerelje fel a készülékkel együtt leszállított 3/8-os csatlakozó-tömlőt és a 3/8-os T-idomot.
- ▶ Szerelje fel a csapterlepet. Ennek során vegye figyelembe a csapterlep kezelési és telepítési útmutatójában megadott információkat.

Nyomásmentes bekötés

- ▶ Szerelje fel a csapterlepet. Ennek során vegye figyelembe a csapterlep kezelési és telepítési útmutatójában megadott információkat.

FELSZERELÉS

Üzembe helyezés

10.3 A elektromos csatlakozás kialakítása



VESZÉLY Áramütés

Minden elektromos bekötési és szerelési munkát előírás-szerűen kell végezni.



VESZÉLY Áramütés

Feltétlenül csatlakoztassa a készüléket a védővezeték-hez!

Összpólusú, legalább 3 mm érintkezőtávolságú megszakítóval kell biztosítani a leválasztás lehetőségét a hálózatról.



VESZÉLY Áramütés

A leszállított készülékek elektromos csatlakozóvezetékkel vannak felszerelve (az EIL 3 Plus dugasszal).

A készülék akkor csatlakoztatható fix bekötésű elektromos vezetékhez, ha annak keresztmetszete legalább akkora, mint a készülék szabványos csatlakozóvezetéké. Maximum $3 \times 6 \text{ mm}^2$ keresztmetszetű vezeték használható.



Anyagi kár

Védőérintkezős csatlakozóaljzathoz történő csatlakoztatásakor (dugasszal ellátott elektromos bekötővezeték esetén) ügyeljen arra, hogy a készülék felszerelését követően a védőérintkezős csatlakozóaljzat könnyen hozzáférhető legyen.



Anyagi kár

Vegye figyelembe a típustáblán szereplő adatokat. A megadott feszültségnek meg kell egyeznie a hálózati feszültséggel.

- ▶ Az elektromos kapcsolási rajz alapján csatlakoztassa az elektromos bekötővezeteket (lásd a „Műszaki adatok / Elektromos kapcsolási rajz“ c. fejezetet).

11. Üzembe helyezés

11.1 Első üzembe helyezés



- ▶ Töltse fel a készüléket a csaptelep szelepeinek többszöri megnyitásával, eltávolítva az összes levegőt a vezetékhalózatból és a készülékből.
- ▶ Ellenőrizze a rendszer tömítettségét.
- ▶ Dugja be az elektromos bekötővezeték dugaszát (ha van) a a védőérintkezős csatlakozóaljzatba vagy kapcsolja be az automata biztosítót.
- ▶ Ellenőrizze a készülék működését.

11.2 A készülék átadása

- ▶ Magyarazza el a felhasználónak a készülék működését és ismertesse meg vele annak használatát.
- ▶ Figyelmeztesse a felhasználót az esetleges veszélyekre, különösen a leforrázás veszélyére.
- ▶ Adja át ezt az útmutatót.

11.3 Újbóli üzembe helyezés



Anyagi kár

A vízellátás szüneteltetését követően a készüléket az alábbi lépésekkel kell újból üzembe helyezni, nehogy a csupaszdrótos fűtőrendszer megrongálódjon.

- ▶ Kapcsolja le a feszültséget a készülékről. Ehhez húzza ki az elektromos bekötővezeték duaszát (ha van) vagy kapcsolja ki az automata biztosítót.
- ▶ Lásd az „Első üzembe helyezés” c. fejezetet.

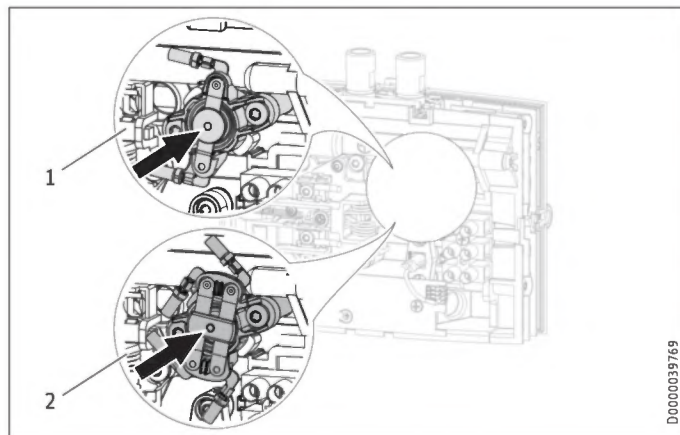
12. Üzemen kívül helyezés

- ▶ Válassza le a készüléket a hálózatról a ház automata biztosítójának kikapcsolásával vagy húzza ki az elektromos bekötővezeték dugaszát.
- ▶ Ürítse le a készüléket (lásd a „Karbantartás” fejezetet).

13. Üzemzavar-elhárítás

Probléma	Ok	Elhárítás
A készülék még akkor sem kapcsolódik be, ha teljesen meg van nyitva a melegvíz-csap.	A csaptelep sugárszabályzója elvízkövesedett vagy elszennyeződött.	Tisztítsa meg és/vagy vízkömentesítse a sugárszabályzót vagy cserélje ki a speciális sugárszabályzót.
	A hidegvíz-vezeték szűrője eltömődött.	Tisztítsa ki a szűrőt; ehhez zárja el a hidegvíz bekötővezetékét.
	A fűtőrendszer meghibásodott.	Mérje meg a fűtőrendszer ellenállását, és szükség esetén cserélje ki a készüléket.
	A biztonsági nyomáshatároló kioldott.	Szüntesse meg a hiba okát. Válassza le a készüléket az elektromos hálózatról és nyomásmentesítse a vízvezeték. Aktiválja a biztonsági nyomáshatárolót.

A biztonsági nyomáshatároló aktiválása



- 1 1 pólusú biztonsági nyomáshatároló EIL 4 Plus / EIL 6 Plus
2 2 pólusú biztonsági nyomáshatároló EIL 3 Plus / EIL 7 Plus

D0000039769

14. Karbantartás



VESZÉLY Áramütés

Bármilyen munkavégzést megelőzően a készüléket ösz-szpólusúan le kell választani az elektromos hálózatról!

14.1 A készülék ürítése



Leforrzás VESZÉLYE

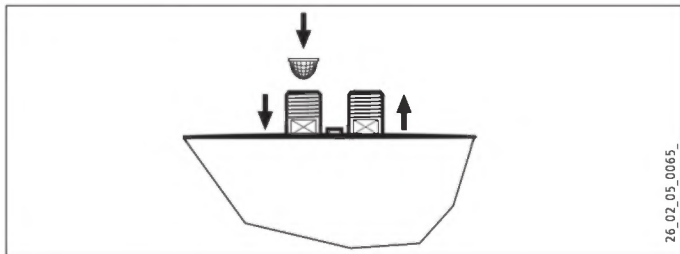
Ürítéskor a készülékből forró víz folyhat ki.

A következőképpen kell eljárni, amennyiben a készüléket karban-tartás vagy fagyvédelem céljából le kell üríteni:

- ▶ Zárja el a hidegvíz-bekötővezeték zárószelepét.
- ▶ Nyissa ki a vízvételi szelepet.
- ▶ Szerelje le a vízcsatlakozásokat a készülékről.

14.2 A szűrő tisztítása

A beépített szűrőt a hidegvíz-bekötővezeték kiszerezését követően lehet tisztítani.



14.3 A VDE 0701/0702 szerinti vizsgálatok

A védővezeték ellenőrzése

- ▶ Vizsgálja meg a védővezetékét (Németországban pl. DGUV A3) a készülék elektromos bekötővezetékének védővezeték-érintkezőjénél és a készülék csatlakozócsonkjánál.

Szigetelési ellenállás

- ▶ Ha egy 3,5 kW-nál nagyobb névleges fűtőteljesítményű készülék szigetelési ellenállása nem éri el a 300 k Ω -ot, akkor javasoljuk, hogy ellenőrizze a készülék szigetelési tulajdonságait; ehhez mérje meg a védővezetékben folyó áram, illetve a szivárgóáram különbségét a VDE 0701/0702 (C.3b. ábra) szabvány szerint.

14.4 A készülék tárolása

- ▶ A készüléket leszerelt állapotban is kizárólag fagymentes helyen tárolja, mivel a berendezésben található maradékvíz is károkat okozhat.

14.5 Az elektromos bekötővezeték cseréje az EIL 6 Plus esetén

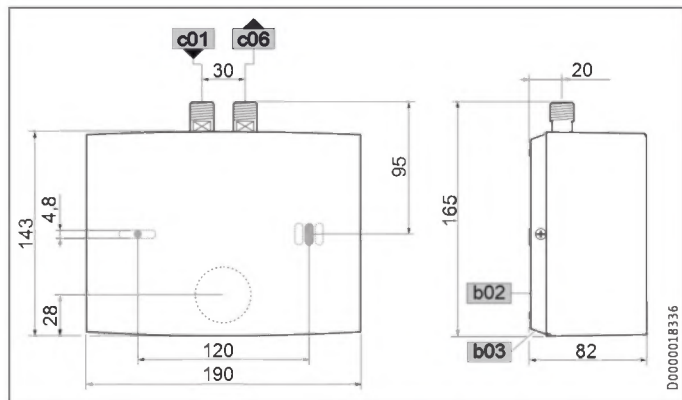
- ▶ Az EIL 6 Plus típusnál az elektromos bekötővezetékét 4 mm² keresztmetszetű elektromos bekötővezetékre kell cserélni.

FELSZERELÉS

Műszaki adatok

15. Műszaki adatok

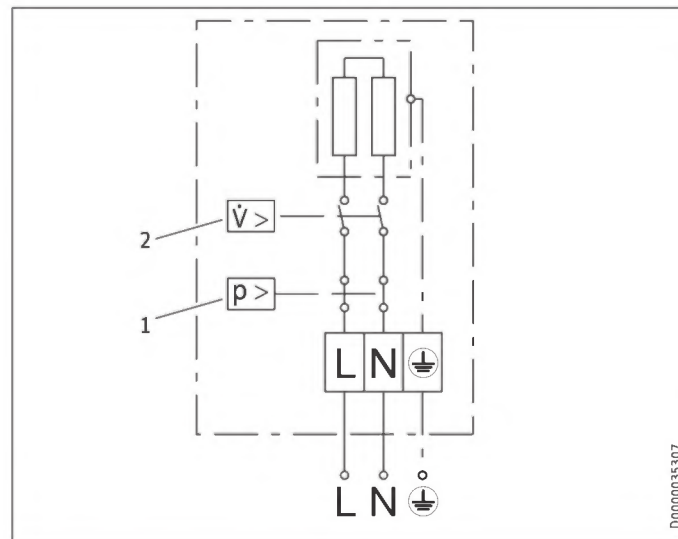
15.1 Méretek



b02	Elektr. vezetékek átvezetése I		
b03	Elektr. vezetékek átvezetése II		
c01	Hidegvíz-bevezetés	Külső menet	G 3/8 A
c06	Melegvíz-kifolyás	Külső menet	G 3/8 A

15.2 Elektromos kapcsolási rajz

15.2.1 EIL 3 Plus 1/N/PE ~ 200-240 V

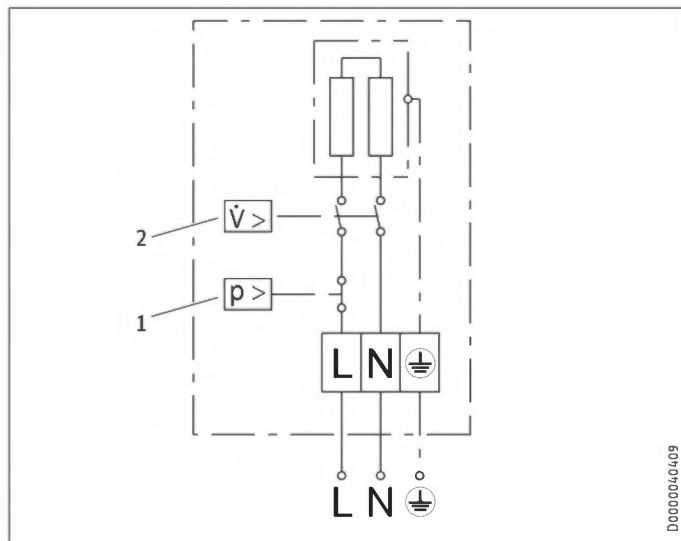


- 1 Biztonsági nyomáshatároló
- 2 Nyomáskülönbség-kapcsoló

FELSZERELÉS

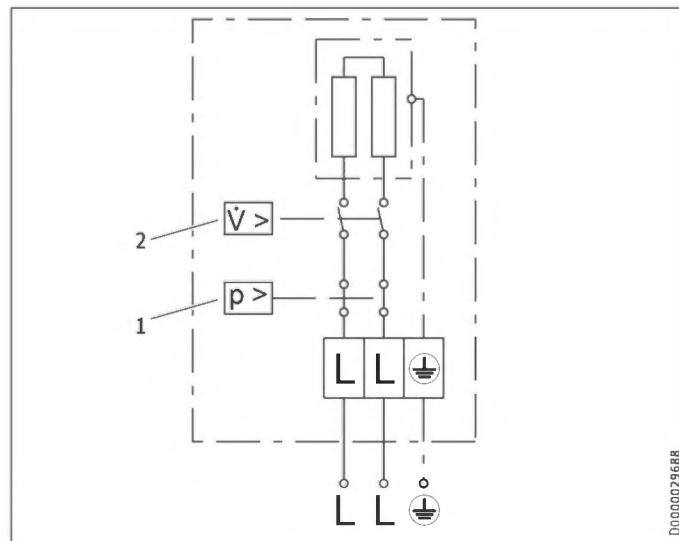
Műszaki adatok

15.2.2 EIL 4 Plus és EIL 6 Plus 1/N/PE ~ 200-240 V



- 1 Biztonsági nyomáshatároló
- 2 Nyomáskülönbség-kapcsoló

15.2.3 EIL 7 Plus 2/PE ~ 380-415 V



- 1 Biztonsági nyomáshatároló
- 2 Nyomáskülönbség-kapcsoló



Anyagi kár

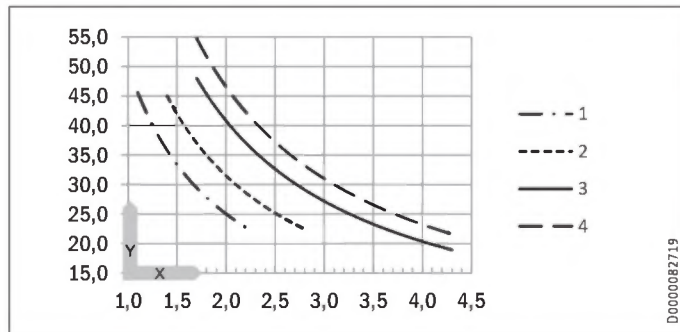
- Fix bekötés esetén a csatlakozóhévely kapcsoljelölése alapján csatlakoztassa az elektromos bekötővezetékét.

FELSZERELÉS

Műszaki adatok

15.3 Hőmérséklet-növelés

230 V-os / 400 V-os feszültség a víz következő hőmérséklet-növekedései adódnak:



- X Térfogatáram, l/perc
 Y Hőmérséklet-növekedés, K
- 1 3,5 kW – 230 V
 - 2 4,4 kW – 230 V
 - 3 5,7 kW – 230 V
 - 4 6,5 kW – 400 V

Például az EIL 3 Plus típusnál, 3,5 kW teljesítmény esetén

Térfogatáram	l/perc	2,0
Hőmérséklet-növelés	K	25
Hideg víz beömlési hőmérséklet	°C	12
Maximális elérhető kiömlési hőmérséklet	°C	37

15.4 Alkalmazási területek

Fajlagos elektromos ellenállás és fajlagos elektromos vezetőképesség (lásd az „Adattáblázat” c. fejezetet).

Szabványos érték 15 °C-on			20 °C			25 °C		
Spec. Ellenállás, $\rho \geq$	Spec. Vezetőképesség $\sigma \leq$	$\mu\text{S/cm}$	Spec. Ellenállás, $\rho \geq$	Spec. Vezetőképesség $\sigma \leq$	$\mu\text{S/cm}$	Spec. Ellenállás, $\rho \geq$	Spec. Vezetőképesség $\sigma \leq$	$\mu\text{S/cm}$
Ωcm	mS/m		Ωcm	mS/m		Ωcm	mS/m	
1100	91	909	970	103	1031	895	112	1117

FELSZERELÉS

Műszaki adatok

15.5 Energiafogyasztási adatok

Termék-adatlap: Hagyományos vízmelegítő a 812/2013/EU - 814/2013/EU rendelet előírásai szerint

		EIL 3 Plus	EIL 4 Plus	EIL 6 Plus	EIL 7 Plus
		200138	200139	200140	200141
Gyártó		STIEBEL ELTRON	STIEBEL ELTRON	STIEBEL ELTRON	STIEBEL ELTRON
Terhelési profil		XXS	XXS	XXS	XS
Energiahatékonysági osztály		A	A	A	A
Energetikai hatásfok	%	39	38	39	40
Éves villamosenergia-fogyasztás	kWh	478	478	478	466
Hangteljesítményszint	dB(A)	15	15	15	15
A hatékonyság mérésére vonatkozó különleges tudnivalók		nincs	nincs	nincs	nincs
Napi villamosenergia-fogyasztás	kWh	2,200	2,200	2,200	2,130

FELSZERELÉS

Műszaki adatok

15.6 Adattáblázat

		EIL 3 Plus				EIL 4 Plus				EIL 6 Plus				EIL 7 Plus		
		200138				200139				200140				200141		
Elektromos adatok																
Névleges feszültség	V	200	220	230	240	200	220	230	240	200	220	230	240	380	400	415
Névleges teljesítmény	kW	2,7	3,2	3,53	3,8	3,3	4,0	4,4	4,8	4,3	5,2	5,7	6,2	5,9	6,5	7,0
Névleges áram	A	13,3	14,5	15,2	15,8	16,7	18,2	19,1	20	21,6	23,6	24,7	25,8	15,5	16,3	16,9
Biztosíték	A	16				20				25	25	25	32	16	20	20
Frekvencia	Hz	50/60				50/60				50/60				50/60	50/60	50/-
Fázisok		1/N/PE				1/N/PE				1/N/PE				2/PE		
Fajlagos ellenállás $\rho_{15} \geq$	Ω cm	1100				1100				1100				1100		
Fajlagos vezetőképesség $\sigma_{15} \leq$	μ S/cm	909				909				909				909		
Max. hálózati impedancia 50 Hz esetén	Ω									0,394	0,377	0,361				
Csatlakozók																
Vízcsatlakozó		G 3/8 A				G 3/8 A				G 3/8 A				G 3/8 A		
Alkalmazási határértékek																
Megengedett max. nyomás	MPa	1				1				1				1		
Értékek																
Megengedett max. bömlési hőmérséklet	$^{\circ}$ C	35				35				35				35		
Be	l/perc	> 1,6				> 2,0				> 2,6				> 2,6		
Nyomásesés adott térfogatáram esetén	MPa	0,05				0,06				0,08				0,08		
Térfogatáram adott nyomásesés esetén	l/perc	1,6				2,0				2,6				2,6		
Térfogatáram-határolási érték	l/perc	2,2				2,8				4,3				4,3		
Melegvíz-előállítási kapacitás	l/perc	2,0				2,5				3,2				3,7		
$\Delta\theta$ a fenti kapacitás esetén	K	25				25				25				25		

FELSZERELÉS

Műszaki adatok

		EIL 3 Plus	EIL 4 Plus	EIL 6 Plus	EIL 7 Plus
Hidraulikai adatok					
Névleges űrtartalom	l	0,1	0,1	0,1	0,1
Kivitelí változatok					
Pult alá szerelhető változat		X	X	X	X
Nyílt rendszerű		X	X	X	X
Zárt kivitel		X	X	X	X
Védettségi osztály		1	1	1	1
Szigetelőblokk		Műanyag	Műanyag	Műanyag	Műanyag
A fűtőrendszer fűtőberendezése		Csupaszdrót	Csupaszdrót	Csupaszdrót	Csupaszdrót
Fedél és hátlap		Műanyag	Műanyag	Műanyag	Műanyag
Szín		fehér	fehér	fehér	fehér
Védettség (IP)		IP25	IP25	IP25	IP25
Méreték					
Magasság	mm	143	143	143	143
Szélesség	mm	190	190	190	190
Mélység	mm	82	82	82	82
A csatlakozókábel hossza	mm	700	700	700	700
Súlyadatok					
Súly	kg	1,4	1,4	1,4	1,4



Tudnivaló

A készülék megfelel az IEC 61000-3-12 előírásainak.

Garancia

A Németországon kívül vásárolt készülékekre nem érvényesek cégünk németországi vállalatának garanciális feltételei. Az olyan országokban, amelyekben termékeinket egy leányvállalatunk terjeszti, a garanciát elsősorban a leányvállalatunk biztosítja. Garancia csak akkor nyújtható, ha az adott leányvállalat kiadta saját garanciális feltételeit. Azon felül semmilyen garanciát nem nyújtunk.

Az olyan készülékekre nem tudunk garanciát biztosítani, amelyek olyan országokban vásároltak meg, amelyekben nincs leányvállalatunk. Ezek a rendelkezések nem érintik az importőr által biztosított esetleges garanciát.

Környezetvédelem és újrahasonosítás

Kérjük, segítsen a környezet védelmében. Használat után az anyagokat a helyi hatósági előírások szerint kell hulladékba juttatni.

POSEBNE NAPOMENE

RUKOVANJE

1. Opće napomene	180
1.1 Sigurnosne napomene	180
1.2 Druge oznake u ovoj dokumentaciji	181
1.3 Mjerne jedinice	181
2. Sigurnost	182
2.1 Namjenska uporaba	182
2.2 Opće sigurnosne napomene	182
2.3 Ispitni znak	182
3. Opis uređaja	183
4. Postavke	183
5. Čišćenje, njega i održavanje	183
6. Otklanjanje problema	184

INSTALACIJA

7. Sigurnost	184
7.1 Opće sigurnosne napomene	184
7.2 Propisi, norme i odredbe	185
8. Opis uređaja	185
8.1 Opseg isporuke	185
8.2 Pribor	185
9. Pripreme	186
10. Montaža	186
10.1 Mjesto montaže	186
10.2 Alternativna montaža	186

10.3 Uspostava električnog priključka	189
11. Puštanje u rad	189
11.1 Prvo puštanje u rad	189
11.2 Predaja uređaja	190
11.3 Ponovno puštanje u rad	190
12. Stavljanje izvan pogona	190
13. Otklanjanje kvarova	190
14. Održavanje	191
14.1 Pražnjenje uređaja	191
14.2 Čišćenje sita	192
14.3 Provjere prema VDE 0701/0702	192
14.4 Skladištenje uređaja	192
14.5 Zamjena električnog priključnog voda na uređaju EIL 6 Plus	192
15. Tehnički podatci	193
15.1 Mjere	193
15.2 Električna spojna shema	193
15.3 Povišenje temperature	195
15.4 Područja primjene	195
15.5 Podatci o potrošnji energije	196
15.6 Tablica s podatcima	197

JAMSTVO

OKOLIŠ I RECIKLIRANJE

POSEBNE NAPOMENE

- Uređaj mogu upotrebljavati djeca starija od 3 godine te osobe smanjenih fizičkih, osjetljivih ili mentalnih sposobnosti ili osobe s nedovoljnim iskustvom i znanjem ako su pod nadzorom ili su upućene u sigurnu uporabu uređaja te shvaćaju opasnosti koje bi mogle nastati. Djeca se ne smiju igrati s ovim uređajem. Djeca ne smiju bez nadzora obavljati čišćenje i održavanje koje inače provodi korisnik.
- Tijekom rada slavina se može zagrijati na temperaturu višu od 50 °C. Kod temperatura izlaza vode većih od 43 °C postoji opasnost od oparina.
- Ovaj uređaj nije prikladan za opskrbu tuša (pogon tuša).
- Uređaj se mora moći odvojiti od mrežnog priključka preko rastavne dionice od najmanje 3 mm na svim polovima.
- Navedeni napon mora odgovarati mrežnom naponu.
- Uređaj mora biti trajno priključen na fiksno ožičenje, iznimka je uređaj EIL 3 Plus.
- U slučaju oštećenja ili zamjene kabel za mrežni priključak smije zamijeniti samo stručni serviser ovlašten od strane proizvođača i uz uporabu originalnog rezervnog dijela.
- Pričvrstite uređaj na način opisan u poglavlju „Instalacija/Montaža“.
- Pridržavajte se maksimalno dopuštenog tlaka (vidjeti poglavlje „Tehnički podatci/Tablica s podacima“).

- Ne smije se prekoračiti donja granica specifičnog otpora vode iz vodoopskrbne mreže (vidjeti poglavlje „Instalacija/Tehnički podatci/Tablica s podacima“).
- Ispraznite uređaj na način opisan u poglavlju „Instalacija/Održavanje/Pražnjenje uređaja“.

RUKOVANJE

1. Opće napomene

Poglavlje „Rukovanje“ namijenjeno je korisniku uređaja i stručnom serviseru.

Poglavlje „Instalacija“ namijenjeno je stručnom serviseru.



Napomena

Prije uporabe uređaja pažljivo pročitajte ove upute i sačuvajte ih.

Upute po potrebi predajte sljedećem korisniku.

1.1 Sigurnosne napomene

1.1.1 Struktura sigurnosnih napomena






SIGNALNA RIJEČ Vrsta opasnosti

Ovdje su navedene moguće posljedice u slučaju nepoštivanja sigurnosnih napomena.

► Ovdje su navedene mjere za suzbijanje opasnosti.

1.1.2 Simboli, vrsta opasnosti

Simbol	Vrsta opasnosti
	Ozljeda
	Strujni udar
	Opekline (opeklina, oparina)

1.1.3 Signalne riječi

SIGNALNA RIJEČ	Značenje
OPASNOST	Napomene čije nepoštivanje za posljedicu može imati teške ozljede ili smrt.
UPOZORENJE	Napomene čije nepoštivanje za posljedicu može imati teške ozljede ili smrt.
OPREZ	Napomene čije nepoštivanje može dovesti do srednje teških ili lakih ozljeda.

1.2 Druge oznake u ovoj dokumentaciji



Napomena

Napomene su omeđene vodoravnim crtama iznad i ispod teksta. Opće napomene označene su ovim simbolom.

► Pažljivo pročitajte tekst napomena.

Simbol



Materijalna šteta
(oštećenja uređaja, posljedična šteta, šteta po okoliš)



Zbrinjavanje uređaja

► Ovaj simbol ukazuje na ono što je potrebno napraviti. Potrebne radnje opisane su korak po korak.

1.3 Mjerne jedinice



Napomena

Ako nije drugačije navedeno, primijenjena mjerna jedinica je milimetar.

2. Sigurnost

2.1 Namjenska uporaba

Uređaj je predviđen za primjenu u kućanstvu. Neupućene osobe uređajem mogu sigurno rukovati. Izvan kućanstva, npr. u malom obrtu, uređaj se također može upotrebljavati na isti način.

Ovaj uređaj služi za zagrijavanje pitke vode. Ovaj je uređaj namijenjen za umivaonik.

Svaka druga uporaba ili uporaba koja prelazi te granice nije namjenska. Namjenska uporaba podrazumijeva i poštivanje ovih uputa te naputaka za korišteni pribor.

2.2 Opće sigurnosne napomene



OPASNOST od oparina

Tijekom rada slavina se može zagrijati na temperaturu višu od 50 °C. Kod temperatura izlaza vode većih od 43 °C postoji opasnost od oparina.



UPOZORENJE ozljeda

Uređaj mogu upotrebljavati djeca starija od 3 godine te osobe smanjenih fizičkih, osjetilnih ili mentalnih sposobnosti ili osobe s nedovoljnim iskustvom i znanjem ako su pod nadzorom ili su upućene u sigurnu uporabu uređaja te shvaćaju opasnosti koje bi mogle nastati. Djeca se ne smiju igrati s ovim uređajem. Djeca ne smiju bez nadzora obavljati čišćenje i održavanje koje inače provodi korisnik.



OPASNOST od strujnog udara

Oštećeni električni priključni vod mora zamijeniti stručni serviser. Na taj se način isključuju moguće opasnosti.



Materijalna šteta

Zaštitite uređaj i slavinu od smrzavanja.



Materijalna šteta

Koristite samo isporučeni specijalni mlazni regulator. Spriječite nastanak kamenca na izlazima slavina (vidjeti poglavlje „Rukovanje/Čišćenje, njega i održavanje“).

2.3 Ispitni znak

Pogledajte natpisnu pločicu na uređaju.

3. Opis uređaja

Hidraulički upravljani mini protočni grijač zagrijava vodu izravno na ispusnom mjestu. Pri otvaranju slavine automatski se uključuje snaga grijanja. Zahvaljujući kratkim putanjama snage nastaju neznatni gubitci energije i vode.

Snaga tople vode ovisi o temperaturi hladne vode, snazi grijanja i količini protoka.

Sustav grijanja s neizoliranim žicama prikladan je za vodu s malo i puno kamenca. Taj je sustav grijanja poprilično neosjetljiv na nakupljanje kamenca. Taj se sustav grijanja brine za brzu i efikasnu pripremu tople vode na umivaoniku.

Ugradnjom priloženog specijalnog mlaznog regulatora dobivate optimalan mlaz vode.

4. Postavke

Čim otvorite ventil za toplu vodu na slavini ili aktivirate osjetnik slavine s osjetnikom, automatski se uključuje sustav grijanja ovog uređaja. Voda se zagrijava. Temperaturu vode možete promijeniti na slavini:

Za količinu uključivanja vidjeti poglavlje „Tehnički podatci/Tablica s podacima/Uklj“.

Povisivanje temperature

- ▶ Prigušite količinu protoka na slavini.

Snižavanje temperature

- ▶ Nastavite otvarati slavinu ili umiješajte više hladne vode.

Nakon prekida vodoopskrbe

Vidjeti poglavlje „Puštanje u rad/Ponovno puštanje u rad“.

5. Čišćenje, njega i održavanje

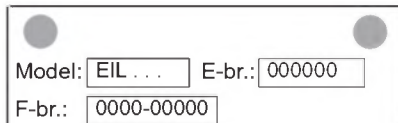
- ▶ Ne upotrebljavajte sredstva za čišćenje koja grebu ili otapaju. Za njegu i čišćenje uređaja dovoljna je vlažna krpa.
- ▶ Redovito kontrolirajte slavine. Kamenac na izlazu slavina možete ukloniti običnim sredstvima za uklanjanje kamenca.
- ▶ Neka električnu sigurnost na uređaju redovito provjerava stručni serviser.
- ▶ Redovito uklanjajte kamenac sa specijalnog mlaznog regulatora na slavini ili ga zamijenite (vidjeti poglavlje „Opis uređaja/Pribor“).

Otklanjanje problema

6. Otklanjanje problema

Problem	Uzrok	Rješenje
Uređaj se ne uključuje iako je do kraja otvoren ventil za toplu vodu.	Na uređaju nema napona.	Provjerite osigurač u kućnoj instalaciji.
	Na mlaznom regulatoru u slavini nakupili su se kamenac ili onečišćenja.	Očistite mlazni regulator i/ili uklonite kamenac iz njega ili zamijenite specijalni mlazni regulator.
	Došlo je do prekida vodoopskrbe.	Odzračite uređaj i dovodni vod hladne vode (vidjeti poglavlje „Postavke“).

Ako ne možete otkloniti uzrok, pozovite servisera. Radi bolje i brže pomoći priopćite mu broj natpisne pločice (000000-0000-00000).



Model: E-br.:

F-br.:

INSTALACIJA

7. Sigurnost

Instalaciju, puštanje u rad, održavanje i popravak uređaja smije provoditi samo stručni serviser.

7.1 Opće sigurnosne napomene

Jamčimo besprijekoran rad i radnu sigurnost samo ako su upotrijebljeni originalni pribor namijenjen uređaju i originalni rezervni dijelovi.



Materijalna šteta

Pridržavajte se maks. dopuštene temperature dovoda vode. Kod viših temperatura može doći do oštećenja uređaja. Središnjom termostatskom slavinom možete ograničiti maksimalnu temperaturu dovoda vode.

INSTALACIJA

Opis uređaja

7.2 Propisi, norme i odredbe



Napomena

Obratite pozornost na sve nacionalne i regionalne propise i odredbe.

Specifični električni otpor vode ne smije biti niži od onog navedenog na natpisnoj pločici. Kod kombinirane vodoopskrbne mreže morate uvažiti najniži električni otpor vode (vidjeti poglavlje „Tehnički podatci/Tablica s podacima“). Specifični električni otpor vode ili električnu provodljivost vode možete saznati od svojeg vodoopskrbnog poduzeća.

8. Opis uređaja

8.1 Opseg isporuke

S uređajem se isporučuju:

- sito u dovodu hladne vode
- specijalni mlazni regulator
- priključno crijevo 3/8, duljine 500 mm, s brtvama*
- T-komad 3/8*

* za priključak u vidu uređaja otpornog na tlak

8.2 Pribor

Specijalni mlazni regulator



Napomena

Ugradnjom specijalnog mlaznog regulatora u slavinu dobivate optimalan mlaz vode.

Slavine

- Upotrebljavajte prikladne slavine.

Tlačne slavine

Prikladne tlačne slavine dostupne su u specijaliziranim trgovinama.

Bestlačne slavine

- MAW (OT) - bestlačna zidna slavina
- MAZ (UT) - bestlačna dvoručna slavina za umivaonik
- MAE (UT) - bestlačna jednoručna slavina za umivaonik

9. Pripreme

- ▶ Dobro isperite vodovodnu cijev.

Vodoinstalacija

Nije potreban sigurnosni ventil.

10. Montaža

10.1 Mjesto montaže

Uređaj montirajte u prostoriji zaštićenj od smrzavanja u blizini ispusne slavine.

Pazite da bočni pričvrtni vijci s poklopcem budu dostupni.

Ovaj je uređaj prikladan samo za montažu ispod umivaonika (priključci za vodu gore).



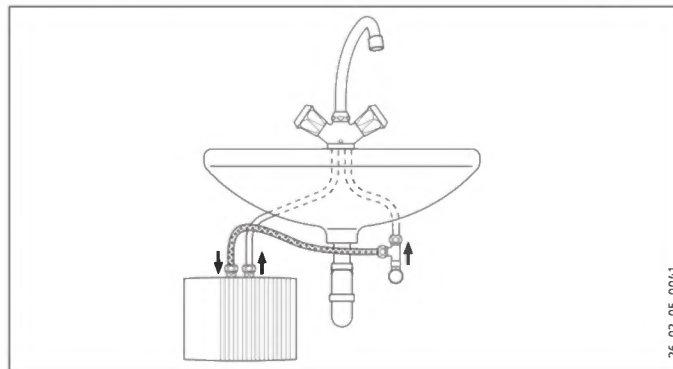
OPASNOST od strujnog udara

Vrsta zaštite IP25 zajamčena je samo kad je montirana stražnja oplata uređaja.

- ▶ Uvijek montirajte stražnju oplatu uređaja.

10.2 Alternativna montaža

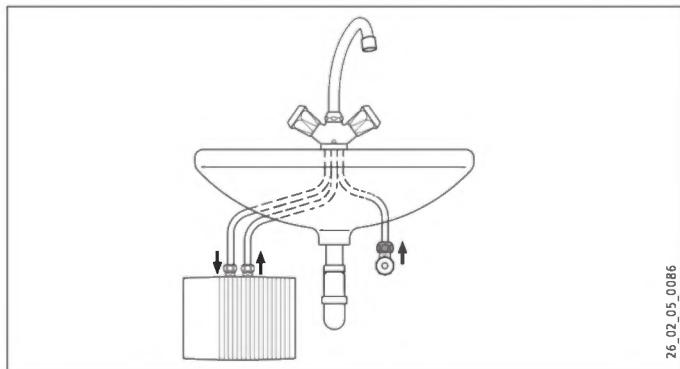
Montaža ispod umivaonika, tlačna, s tlačnom slavinom



INSTALACIJA

Montaža

Montaža ispod umivaonika, bestlačna, s bestlačnom slavinom



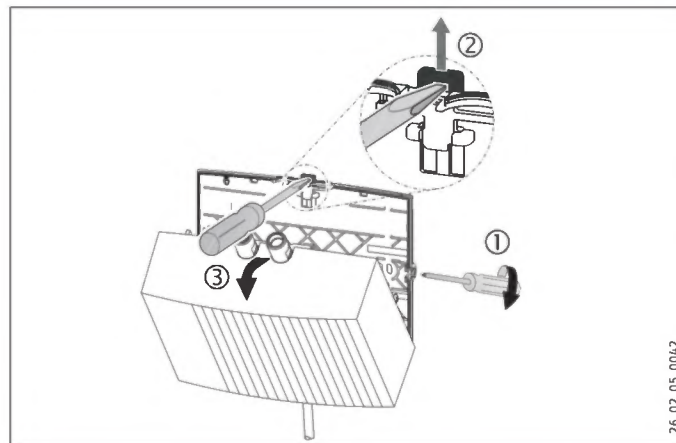
10.2.1 Montaža uređaja

- ▶ Montirajte uređaj na zid.



Napomena

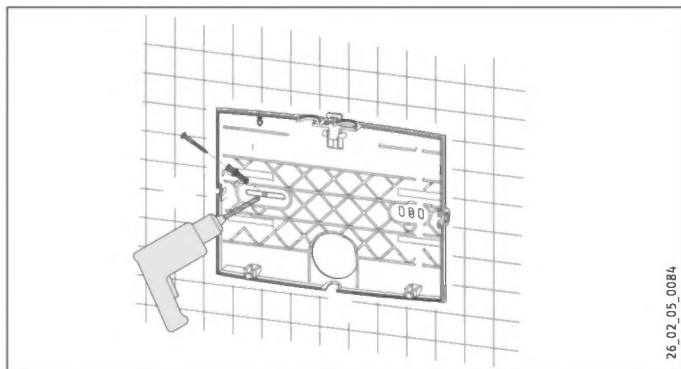
Zid mora imati dovoljnu nosivost.



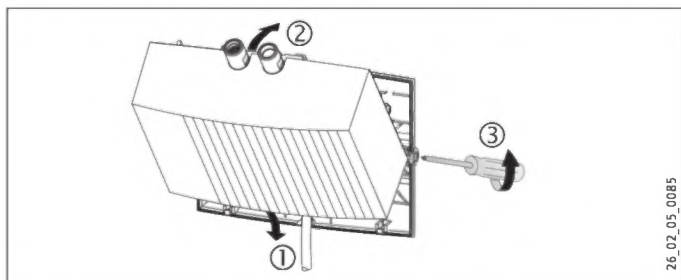
- ▶ Dvaput okrenite pričvrstne vijke s poklopcem kako biste ih otpustili.
- ▶ Odvijačem deblokirajte opružnu bravu.
- ▶ Prema naprijed skinite poklopac uređaja sa sustavom grijanja.
- ▶ Kliještima probijte provodni otvor za električni priključni vod u poklopcu uređaja. Po potrebi turpijom korigirajte konturu.

INSTALACIJA

Montaža



- ▶ Stražnju oplatu uređaja upotrijebite kao šablonu za bušenje.
- ▶ Stražnju oplatu uređaja pričvrstite na zid prikladnim pričvrsnicama i vijcima.



- ▶ Položite električni priključni vod u provodni otvor stražnje oplate.
- ▶ Dolje zakvačite poklopac uređaja sa sustavom grijanja.
- ▶ Uglavite sustav grijanja u opružnu bravu.
- ▶ Poklopac uređaja pričvrstite pričvrsnim vijcima s poklopcem.

10.2.2 Montaža slavine



Materijalna šteta

Pri montaži svih priključaka morate podupirati uređaj ključem veličine 14.

Priključak otporan na tlak

- ▶ Montirajte isporučeno priključno crijevo 3/8 i T-komad 3/8.
- ▶ Montirajte slavinu. Pritom slijedite upute za rukovanje i instalaciju slavine.

Bestlačni priključak

- ▶ Montirajte slavinu. Pritom slijedite upute za rukovanje i instalaciju slavine.

10.3 Uspostava električnog priključka



OPASNOST od strujnog udara
Propisno izvedite sve električne radove i radove priključivanja.



OPASNOST od strujnog udara
Pazite na to da uređaj bude priključen na zaštitni vodič. Uređaj se mora moći odvojiti od mrežnog priključka preko rastavne dionice od najmanje 3 mm na svim polovima.



OPASNOST od strujnog udara
U stanju pri isporuci uređaji su opremljeni električnim priključnim vodom (EIL 3 Plus s utikačem).
Moguć je priključak na fiksno položeni električni vod ako on ima minimalni poprečni presjek standardnog priključnog voda uređaja. Maksimalno je moguć poprečni presjek voda od 3 x 6 mm².



Materijalna šteta
Pri priključivanju na utičnicu sa zaštitnim kontaktom (kod električnog priključnog voda s utikačem) pazite na to da utičnica sa zaštitnim kontaktom nakon instalacije uređaja bude slobodno dostupna.



Materijalna šteta

Obratite pozornost na natpisnu pločicu. Navedeni napon mora odgovarati mrežnom naponu.

- ▶ Priključite električni priključni vod u skladu s električnom spojnom shemom (vidjeti poglavlje „Tehnički podatci/Električna spojna shema“).

11. Puštanje u rad

11.1 Prvo puštanje u rad



- ▶ Napunite uređaj višekratnim crpljenjem na slavini sve dok mreža vodova i uređaj ne ostanu bez zraka.
- ▶ Provedite kontrolu nepropusnosti.
- ▶ Utikač električnog priključnog voda, ako postoji, utaknite u utičnicu sa zaštitnim kontaktom ili uključite osigurač.
- ▶ Provjerite funkciju uređaja.

11.2 Predaja uređaja

- ▶ Objasnite korisniku funkciju uređaja i upoznajte ga s uporabom uređaja.
- ▶ Upozorite korisnika na moguće opasnosti, posebno na opasnost od oparina.
- ▶ Predajte mu ove upute.

11.3 Ponovno puštanje u rad



Materijalna šteta

Nakon prekida vodoopskrbe uređaj morate ponovno puštiti u rad sljedeći sljedeće korake da ne bi došlo do oštećenja sustava grijanja s neizoliranim žicama.

- ▶ Odvojite uređaj od izvora napona. U tu svrhu izvucite utikač električnog priključnog voda, ako postoji, ili isključite osigurač.
- ▶ Vidjeti poglavlje „Prvo puštanje u rad“.

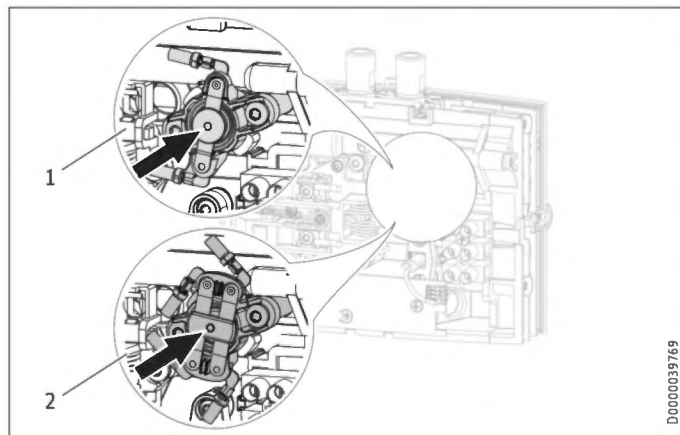
12. Stavljanje izvan pogona

- ▶ Uz pomoć osigurača u kućnoj instalaciji odvojite uređaj od mrežnog napona ili izvucite utikač električnog priključnog voda.
- ▶ Ispraznite uređaj (vidjeti poglavlje „Održavanje“).

13. Otklanjanje kvarova

Problem	Uzrok	Rješenje
Uređaj se ne uključuje iako je do kraja otvoren ventil za toplu vodu.	Na mlaznom regulatoru u slavini nakupili su se kamenac ili onečišćenja.	Očistite mlazni regulator i/ili uklonite kamenac iz njega ili zamijenite specijalni mlazni regulator.
	Sito u vodu hladne vode je začepljeno.	Očistite sito nakon što zavrnete dovodni vod hladne vode.
	Došlo je do kvara sustava grijanja.	Izmjerite otpor sustava grijanja, eventualno zamijenite uređaj.
	Sigurnosni graničnik tlaka je iskočio.	Otklonite uzrok greške. Odvojite uređaj od izvora napona i rasteretite vodovodnu cijev. Aktivirajte sigurnosni graničnik tlaka.

Aktivacija sigurnosnog graničnika tlaka



- 1 1-polni sigurnosni graničnik tlaka EIL 4 Plus/EIL 6 Plus
2 2-polni sigurnosni graničnik tlaka EIL 3 Plus/EIL 7 Plus

D0000039769

14. Održavanje



OPASNOST od strujnog udara
Pri izvođenju svih radova odvojite uređaj na svim polovima od mrežnog priključka.

14.1 Pražnjenje uređaja



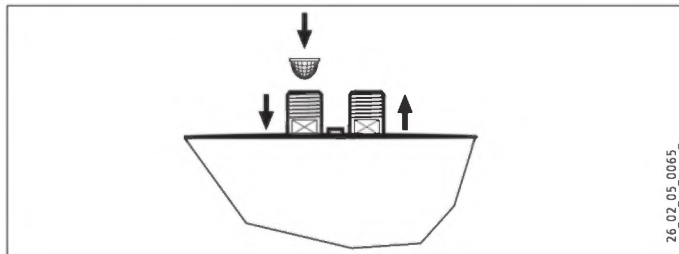
OPASNOST od oparina
Pri pražnjenju može istjecati vruća voda.

Ako morate isprazniti uređaj radi radova održavanja ili u slučaju opasnosti od smrzavanja radi zaštite cjelokupne instalacije, postupite na sljedeći način:

- ▶ Zatvorite zaporni ventil u dovodnom vodu hladne vode.
- ▶ Otvorite ispusni ventil.
- ▶ Odvojite priključke za vodu od uređaja.

14.2 Čišćenje sita

Ugrađeno sito možete očistiti nakon demontaže priključnog voda hladne vode.



14.3 Provjere prema VDE 0701/0702

Provjera zaštitnog vodiča

- ▶ Provjerite zaštitni vodič (u Njemačkoj npr. DGUV A3) na kontaktu zaštitnog vodiča električnog priključnog voda i na priključnom nastavku uređaja.

Izolacijski otpor

- ▶ Ako neki uređaj s nazivnim ogrjevnim učinkom od $> 3,5$ kW ne postigne izolacijski otpor od 300 k Ω , preporučujemo da izolacijska svojstva tog uređaja provjerite pomoću mjerenja struje razlike struja zaštitnog vodiča/struja odvoda prema VDE 0701/0702 (slika C.3b).

14.4 Skladištenje uređaja

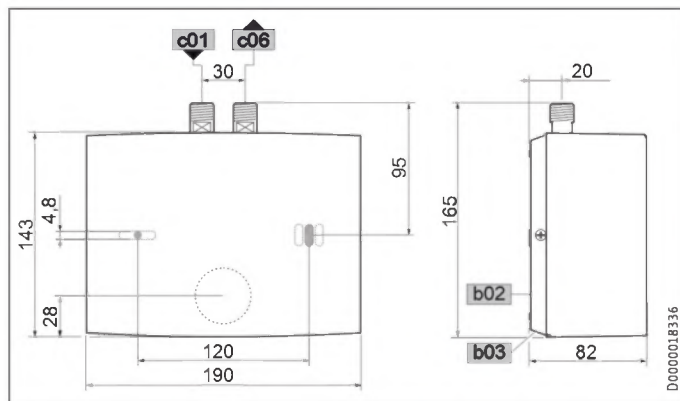
- ▶ Demontirani uređaj skladištite tako da je zaštićen od smrzavanja jer se u uređaju nalazi preostala voda koja bi se mogla zamrznuti i tako prouzročiti štetu.

14.5 Zamjena električnog priključnog voda na uređaju EIL 6 Plus

- ▶ Kod uređaja EIL 6 Plus u slučaju zamjene morate upotrijebiti električni priključni vod od 4 mm².

15. Tehnički podatci

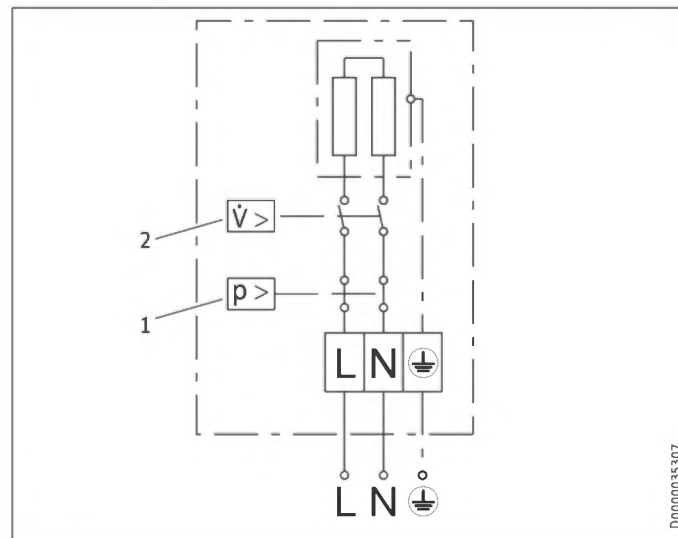
15.1 Mjere



b02	Provodnica elektr. vodova I		
b03	Provodnica elektr. vodova II		
c01	Dovod hladne vode	Vanjski navoj	G 3/8 A
c06	Izlazni vod tople vode	Vanjski navoj	G 3/8 A

15.2 Električna spojna shema

15.2.1 EIL 3 Plus 1/N/PE ~ 200 V-240 V

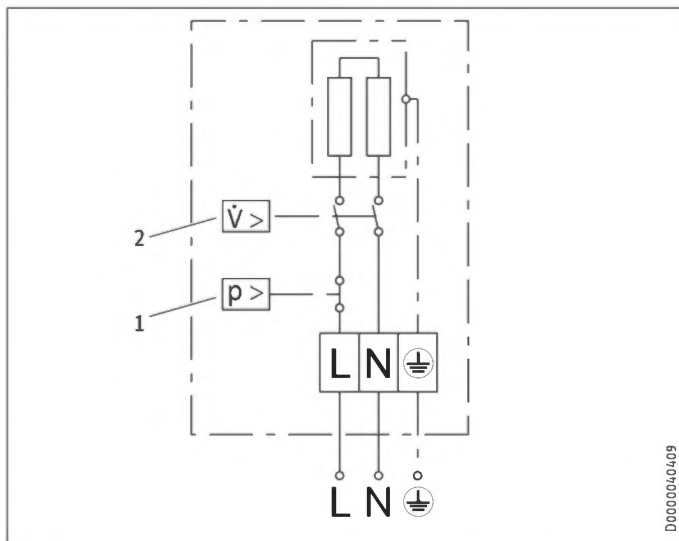


- 1 Sigurnosni graničnik tlaka
- 2 Prekidač za razliku tlaka

INSTALACIJA

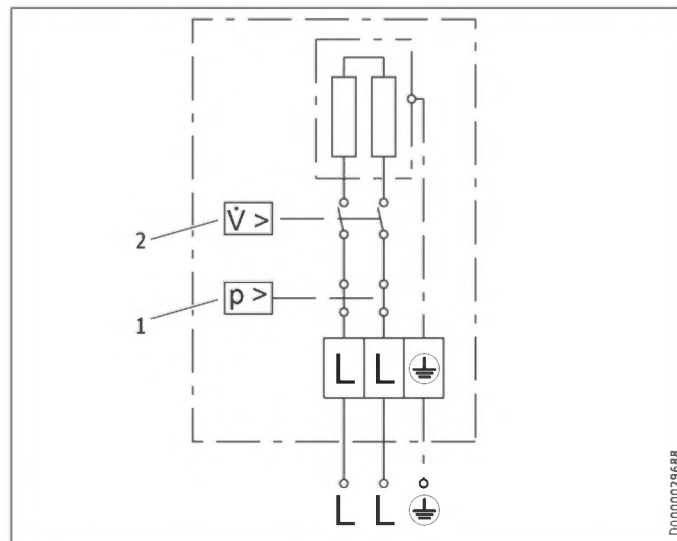
Tehnički podatci

15.2.2 EIL 4 Plus i EIL 6 Plus 1/N/PE ~ 200 V-240 V



- 1 Sigurnosni graničnik tlaka
- 2 Prekidač za razliku tlaka

15.2.3 EIL 7 Plus 2/PE ~ 380 V-415 V



- 1 Sigurnosni graničnik tlaka
- 2 Prekidač za razliku tlaka



Materijalna šteta

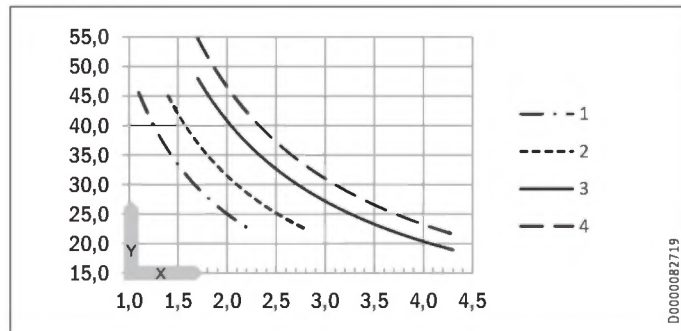
- ▶ Kod fiksnog priključka priključite električni priključni vod prema oznakama na stezaljki utičnice.

INSTALACIJA

Tehnički podatci

15.3 Povišenje temperature

Sljedeća povišenja temperature vode javljaju se pri naponu od 230 V / 400 V:



- X Volumni protok u l/min
 Y Povišenje temperature u K
- 1 3,5 kW - 230 V
 - 2 4,4 kW - 230 V
 - 3 5,7 kW - 230 V
 - 4 6,5 kW - 400 V

Primjer EIL 3 Plus s 3,5 kW

Volumni protok	l/min	2,0
Povišenje temperature	K	25
Temperatura dovodnog voda hladne vode	°C	12
Maksimalna moguća temperatura izlaza vode	°C	37

15.4 Područja primjene

Za specifični električni otpor i specifičnu električnu provodljivost vidjeti „Tablica s podacima“.

Normirani podatak na 15 °C			20 °C			25 °C		
Spec. otpor $\rho \geq$	Spec. Provodljivost $\sigma \leq$		Spec. otpor $\rho \geq$	Spec. Provodljivost $\sigma \leq$		Spec. otpor $\rho \geq$	Spec. Provodljivost $\sigma \leq$	
Ωcm	mS/m	$\mu\text{S/cm}$	Ωcm	mS/m	$\mu\text{S/cm}$	Ωcm	mS/m	$\mu\text{S/cm}$
1100	91	909	970	103	1031	895	112	1117

15.5 Podatci o potrošnji energije

List s informacijama o proizvodu: Konvencionalni uređaji za pripremu tople vode prema Uredbi (EU) br. 812/2013 | 814/2013

		EIL 3 Plus	EIL 4 Plus	EIL 6 Plus	EIL 7 Plus
		200138	200139	200140	200141
Proizvođač		STIEBEL ELTRON	STIEBEL ELTRON	STIEBEL ELTRON	STIEBEL ELTRON
Profil opterećenja		XXS	XXS	XXS	XS
Razred energetske učinkovitosti		A	A	A	A
Energetski stupanj djelovanja	%	39	38	39	40
Godišnja potrošnja električne energije	kWh	478	478	478	466
Razina zvučne snage	dB(A)	15	15	15	15
Posebne napomene za mjerenje učinkovitosti		nema	nema	nema	nema
Dnevna potrošnja električne energije	kWh	2,200	2,200	2,200	2,130

INSTALACIJA

Tehnički podatci

15.6 Tablica s podatcima

		EIL 3 Plus				EIL 4 Plus				EIL 6 Plus				EIL 7 Plus		
		200138				200139				200140				200141		
Električni podatci																
Nazivni napon	V	200	220	230	240	200	220	230	240	200	220	230	240	380	400	415
Nazivna snaga	kW	2,7	3,2	3,53	3,8	3,3	4,0	4,4	4,8	4,3	5,2	5,7	6,2	5,9	6,5	7,0
Nazivna struja	A	13,3	14,5	15,2	15,8	16,7	18,2	19,1	20	21,6	23,6	24,7	25,8	15,5	16,3	16,9
Osiguranje	A	16				20				25	25	25	32	16	20	20
Frekvencija	Hz	50/60				50/60				50/60				50/60	50/60	50/-
Faze		1/N/PE				1/N/PE				1/N/PE				2/PE		
Specifični otpor $\rho_{15} \geq$	Ω cm	1100				1100				1100				1100		
Specifična provodljivost $\sigma_{15} \leq$	$\mu S/cm$	909				909				909				909		
Maks. impedancija mreže pri 50 Hz	Ω									0,394	0,377	0,361				
Priključci																
Priključak vode		G 3/8 A				G 3/8 A				G 3/8 A				G 3/8 A		
Granice primjene																
Maks. dopušteni tlak	MPa	1				1				1				1		
Vrijednosti																
Maks. dopuštena temperatura do- voda vode	$^{\circ}C$	35				35				35				35		
Uklj	l/min	>1,6				> 2,0				> 2,6				> 2,6		
Pad tlaka pri volumnom protoku	MPa	0,05				0,06				0,08				0,08		
Volumni protok za pad tlaka	l/min	1,6				2,0				2,6				2,6		
Ograničenje volumnog protoka pri	l/min	2,2				2,8				4,3				4,3		
Kapacitet tople vode	l/min	2,0				2,5				3,2				3,7		
$\Delta\theta$ kod prikaza	K	25				25				25				25		
Hidraulični podatci																
Nazivni sadržaj	l	0,1				0,1				0,1				0,1		

INSTALACIJA

Tehnički podatci

		EIL 3 Plus	EIL 4 Plus	EIL 6 Plus	EIL 7 Plus
Izvedbe					
Vrsta montaže ispod umivaonika		X	X	X	X
Izvedba otvorena		X	X	X	X
Zatvorena konstrukcija		X	X	X	X
Razred zaštite		1	1	1	1
Izolacijski blok		plastika	plastika	plastika	plastika
Proizvođač topline sustava grijanja		neizolirana žica	neizolirana žica	neizolirana žica	neizolirana žica
Poklopac i stražnja oplata		plastika	plastika	plastika	plastika
Boja		bijela	bijela	bijela	bijela
Vrsta zaštite (IP)		IP 25	IP 25	IP 25	IP 25
Dimenzije					
Visina	mm	143	143	143	143
Širina	mm	190	190	190	190
Dubina	mm	82	82	82	82
Duljina priključnog kabela	mm	700	700	700	700
Težine					
Težina	kg	1,4	1,4	1,4	1,4



Napomena

Uređaj je usklađen s IEC 61000-3-12.

Jamstvo

Za uređaje koji su kupljeni izvan Njemačke ne vrijede jamstveni uvjeti naših njemačkih tvrtki. Osim toga, u zemljama u kojima neka od naših podružnica prodaje naše proizvode može se dobiti jamstvo od te naše podružnice. Takvo jamstvo daje se samo u slučaju ako je ta podružnica izdala vlastite jamstvene uvjete. Inače se ne daje jamstvo.

Za uređaje koji su kupljeni u zemljama u kojima nijedna od naših podružnica ne prodaje naše proizvode mi ne dajemo jamstvo.

Sva jamstva koje daju uvoznici nisu obuhvaćeni ovim pravilom.

Okoliš i recikliranje

Molimo pomozite da sačuvamo naš okoliš. Zbrinite materijale nakon korištenja sukladno nacionalnim propisima.

СПЕЦИАЛЬНЫЕ УКАЗАНИЯ

ЭКСПЛУАТАЦИЯ

1.	Общие указания	203
1.1	Указания по технике безопасности	203
1.2	Другие обозначения в данной документации	204
1.3	Единицы измерения	204
2.	Техника безопасности	204
2.1	Использование по назначению	204
2.2	Общие указания по технике безопасности	204
2.3	Знак технического контроля	205
3.	Описание устройства	206
4.	Настройки	206
5.	Чистка, уход и техническое обслуживание	206
6.	Поиск и устранение проблем	207

УСТАНОВКА

7.	Техника безопасности	207
7.1	Общие указания по технике безопасности	207
7.2	Предписания, стандарты и положения	208
8.	Описание устройства	208
8.1	Комплект поставки	208
8.2	Принадлежности	208
9.	Подготовительные мероприятия	209
10.	Монтаж	209
10.1	Место монтажа	209
10.2	Варианты монтажа	209

10.3	Подключение к сети электропитания	212
11.	Ввод в эксплуатацию	213
11.1	Первый ввод в эксплуатацию	213
11.2	Передача устройства	213
11.3	Повторный ввод в эксплуатацию	213
12.	Вывод из эксплуатации	213
13.	Поиск и устранение неисправностей	214
14.	Техническое обслуживание	215
14.1	Опорожнение прибора	215
14.2	Чистка сетчатого фильтра	215
14.3	Проверки согласно VDE 0701/0702	216
14.4	Хранение прибора	216
14.5	Замена электрического соединительного провода EIL 6 Plus	216
15.	Технические характеристики	216
15.1	Размеры	216
15.2	Электрическая схема	217
15.3	Повышение температуры	218
15.4	Рабочие диапазоны	219
15.5	Характеристики энергопотребления	219
15.6	Таблица параметров	220

ГАРАНТИЯ

ЗАЩИТА ОКРУЖАЮЩЕЙ СРЕДЫ И УТИЛИЗАЦИЯ

СПЕЦИАЛЬНЫЕ УКАЗАНИЯ

- Детям старше 3 лет, а также лицам с ограниченными физическими, сенсорными и умственными способностями, не имеющим опыта и не владеющим информацией о приборе, разрешено использовать прибор только под присмотром других лиц или после соответствующего инструктажа о правилах безопасного пользования и потенциальной опасности в случае несоблюдения этих правил. Не допускать шалостей детей с прибором. Дети могут выполнять чистку прибора и те виды технического обслуживания, которые обычно производятся пользователем, только под присмотром взрослых.
- Во время работы смеситель может нагреваться до температуры более 50 °С. При температуре воды на выходе выше 43 °С существует опасность обваривания.
- Прибор не предназначен для подачи воды в душ (режим душа).
- Прибор должен отключаться от сети с размыканием всех контактов на всех полюсах и изолированием на расстоянии не менее 3 мм.
- Напряжение сети должно совпадать с указанным на табличке.
- Прибор должен быть подключен к стационарной электрической разводке, за исключением варианта EIL 3 Plus.

- При повреждении кабеля питания или необходимости его замены выполнять эти работы должен только специалист, уполномоченный производителем, и только с использованием оригинального кабеля.
- Закрепить прибор, как описано в главе «Установка / Монтаж».
- Убедиться, что давление соответствует максимально допустимому (см. главу «Технические характеристики / Таблица параметров»).
- Удельное электрическое сопротивление воды не должно быть ниже указанного на заводской табличке (см. главу «Установка / Технические характеристики / Таблица параметров»).
- При опорожнении прибора следовать указаниям главы «Установка / Техническое обслуживание / Опорожнение прибора».

ЭКСПЛУАТАЦИЯ

1. Общие указания

Глава «Эксплуатация» предназначена для пользователя и специалиста.

Глава «Установка» предназначена для специалиста.



Указание

Перед началом эксплуатации следует внимательно прочитать данное руководство и сохранить его. При необходимости передать настоящее руководство следующему пользователю.

1.1 Указания по технике безопасности

1.1.1 Структура указаний по технике безопасности



СИГНАЛЬНОЕ СЛОВО Вид опасности

Здесь приведены возможные последствия несоблюдения указания по технике безопасности.

► Здесь приведены мероприятия по предотвращению опасности.

1.1.2 Символы, вид опасности

Символ	Вид опасности
	Травма
	Поражение электрическим током
	Ожог (ожог, обваривание)

1.1.3 Сигнальные слова

СИГНАЛЬНОЕ СЛОВО	Значение
ОПАСНОСТЬ	Указания, несоблюдение которых приводит к серьезным травмам или к смертельному исходу.
ПРЕДУПРЕЖДЕНИЕ	Указания, несоблюдение которых может привести к серьезным травмам или к смертельному исходу.
ОСТОРОЖНО	Указания, несоблюдение которых может привести к травмам средней тяжести или к легким травмам.

1.2 Другие обозначения в данной документации



Указание

Указания ограничиваются горизонтальными линиями над текстом и под ним. Общие указания обозначены приведенным рядом с ними символом.

- ▶ Внимательно прочитайте тексты указаний.

Символ



Материальный ущерб (повреждение прибора, косвенный ущерб и ущерб окружающей среде)



Утилизация устройства

- ▶ Этот символ указывает на необходимость выполнения определенных действий. Описание необходимых действий приведено шаг за шагом.

1.3 Единицы измерения



Указание

При отсутствии иных указаний все размеры приведены в миллиметрах.

2. Техника безопасности

2.1 Использование по назначению

Прибор предназначен для бытового использования. Для его безопасного обслуживания пользователю не требуется проходить инструктаж. Возможно использование прибора не только в быту, но и, например, на предприятиях малого бизнеса при условии соблюдения тех же условий эксплуатации.

Прибор предназначен для нагрева водопроводной воды. Прибор предназначен для умывальника.

Любое иное или не указанное в настоящем руководстве использование данного устройства считается использованием не по назначению. Использование по назначению подразумевает соблюдение требований настоящего руководства, а также руководств к используемым принадлежностям.

2.2 Общие указания по технике безопасности



ОПАСНОСТЬ обваривание

Во время работы смеситель может нагреваться до температуры более 50 °С. При температуре воды на выходе выше 43 °С существует опасность обваривания.



ПРЕДУПРЕЖДЕНИЕ травма

Детям старше 3 лет, а также лицам с ограниченными физическими, сенсорными и умственными способностями, не имеющим опыта и не владеющим информацией о приборе, разрешено использовать прибор только под присмотром других лиц или после соответствующего инструктажа о правилах безопасного пользования и потенциальной опасности в случае несоблюдения этих правил. Не допускать шалостей детей с прибором. Дети могут выполнять чистку прибора и те виды технического обслуживания, которые обычно производятся пользователем, только под присмотром взрослых.



ОПАСНОСТЬ поражение электрическим током

Замену поврежденного кабеля электропитания разрешается производить только специалисту. Это позволит исключить потенциальную опасность.



Материальный ущерб

Прибор и смеситель необходимо защитить от мороза.



Материальный ущерб

Использовать только входящий в комплект поставки регулятор струи. Не допускать образования отложений накипи в изливах арматуры (см. главу «Очистка, уход и техническое обслуживание»).

2.3 Знак технического контроля

См. заводскую табличку на приборе.



Евразийское соответствие

Данный прибор соответствует требованиям безопасности технических регламентов Евразийского Экономического Союза ТР ТС 004/2011, ТР ТС 020/2011 и прошел соответствующие процедуры подтверждения соответствия.

EIL 3 Plus:

Сертификат соответствия № ЕАЭС RU C-DE.АЯ46.В.06126/19, срок действия с 22.07.2019 г. по 21.07.2024 г.

EIL 4 Plus / EIL 6 Plus:

Сертификат соответствия № ЕАЭС RU C-DE.АЯ46.В.18484/21, срок действия с 12.03.2021 г. по 11.03.2026 г.

EIL 7 Plus:

Сертификат соответствия № ЕАЭС RU C-DE.АЯ46.В.06127/19, срок действия с 22.07.2019 г. по 21.07.2024 г.

Орган по сертификации «РОСТЕСТ-Москва» АО «Региональный орган по сертификации и тестированию».

3. Описание устройства

Компактный проточный нагреватель с гидравлическим управлением нагревает воду непосредственно около точки отбора. Нагрев автоматически включается при открытии смесителя. Малая длина трубопровода до точки отбора обеспечивает низкий уровень потерь энергии и воды.

Производительность подготовки горячей воды зависит от температуры холодной воды, мощности нагрева и расхода.

Нагревательная система с нагревательным элементом открытого типа пригодна как для мягкой, так и для жесткой воды. Такая система менее восприимчива к образованию накипи. Она быстро и эффективно обеспечивает умягальник горячей водой.

Оптимальную струю воды можно получить, установив прилагаемый специальный регулятор струи.

4. Настройки

Как только будет открыт кран горячей воды на арматуре или сработает датчик арматуры, в приборе автоматически включится система нагрева. Начнется нагрев воды. Изменять температуру воды можно с помощью смесителя.

Расход, необходимый для включения, указан в главе «Технические характеристики / Таблица параметров / Включение».

Повысить температуру

- ▶ Снизить расход воды, прикрыв кран смесителя.

Снизить температуру

- ▶ Приоткрыть кран или добавить холодную воду.

После отключения подачи воды

См. главу «Ввод в эксплуатацию / Повторный ввод в эксплуатацию».

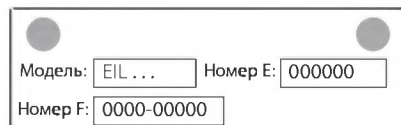
5. Чистка, уход и техническое обслуживание

- ▶ Не использовать абразивные или едкие чистящие средства. Для ухода за прибором и очистки корпуса достаточно влажной тканевой салфетки.
- ▶ Необходимо регулярно проверять смесители. Известковые отложения на изливе смесителя можно удалить с помощью имеющихся в продаже средств для удаления накипи.
- ▶ Безопасность электрической части должен регулярно проверять специалист.
- ▶ Необходимо регулярно удалять накипь или производить замену специального регулятора струи на арматуре (см. главу «Описание прибора / Принадлежности»).

6. Поиск и устранение проблем

Проблема	Причина	Способ устранения
Прибор не включается, несмотря на полностью открытый кран горячей воды.	На приборе отсутствует напряжение.	Проверить предохранители электрической сети в здании.
	Регулятор струи в смесителе заизвесткован или загрязнен.	Очистить регулятор струи и / или удалить из него накипь либо заменить специальный регулятор струи.
	Водоснабжение отключено.	Удалить воздух из прибора и трубопровода подачи холодной воды (см. главу «Настройки»).

Если невозможно устранить эту неисправность самостоятельно, нужно пригласить специалиста. Чтобы специалист смог оперативно помочь, необходимо сообщить ему номер прибора с заводской таблички (000000-0000-00000).



Модель: Номер E:

Номер F:

УСТАНОВКА

7. Техника безопасности

Установка, ввод в эксплуатацию, а также техническое обслуживание и ремонт прибора должны производиться только квалифицированным специалистом.

7.1 Общие указания по технике безопасности

Безупречная работа и эксплуатационная безопасность прибора гарантируются только при использовании соответствующих оригинальных принадлежностей и оригинальных запчастей.



Материальный ущерб

Необходимо соблюдать максимально допустимую температуру поступающей холодной воды. При более высоких температурах подачи возможно повреждение прибора. Температуру подаваемой воды можно ограничить, установив центральный термостатический смеситель.

7.2 Предписания, стандарты и положения



Указание

Необходимо соблюдать все национальные и региональные предписания и положения.

Удельное электрическое сопротивление воды не должно быть ниже указанного на заводской табличке! Если речь идет об объединенной системе водоснабжения, необходимо учитывать наименьшее электрическое сопротивление воды (см. главу «Технические характеристики / Таблица параметров»). Выяснить удельное электрическое сопротивление или электропроводность воды на предприятии водоснабжения.

8. Описание устройства

8.1 Комплект поставки

В комплект поставки прибора входят:

- сетчатый фильтр для линии подачи холодной воды,
- специальный регулятор струи
- соединительный шланг 3/8 длиной 500 мм, с уплотнениями,*
- тройник 3/8,*

* Для подключения в качестве напорного прибора

8.2 Принадлежности

Специальный регулятор струи



Указание

Оптимальную струю воды можно получить, установив прилагаемый специальный регулятор струи.

Смесители

- Использовать подходящий смеситель.

Напорная арматура

Подходящий напорный смеситель можно приобрести в специализированных магазинах.

Безнапорные смесители

- MAW (OT) – безнапорный настенный смеситель
- MAZ (UT) – безнапорный двухвентильный смеситель для умывальника
- MAE (UTE) – безнапорный однорычажный смеситель для умывальника

9. Подготовительные мероприятия

- ▶ Тщательно промыть водопроводную систему.

Водопроводные работы

Предохранительный клапан не требуется.

10. Монтаж

10.1 Место монтажа

Устанавливать прибор только в незамерзающем помещении рядом с водоразборной арматурой.

Необходимо обеспечить возможность доступа к боковым винтам крепления крышки.

Прибор подходит исключительно для а под раковиной (соединения для воды снизу).

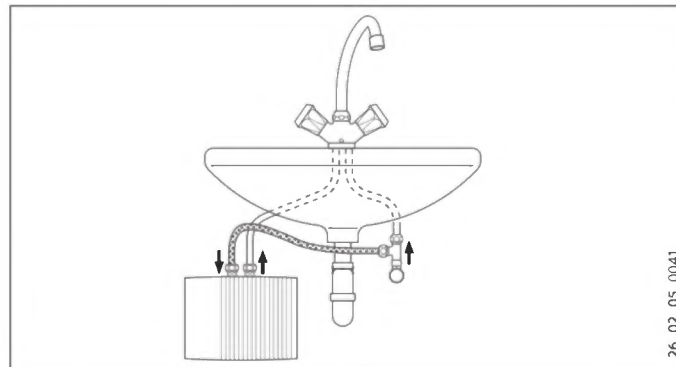


ОПАСНОСТЬ поражение электрическим током
Степень защиты IP25 обеспечивается только при установленной задней стенке прибора.

- ▶ Задней стенки прибора является обязательным.

10.2 Варианты монтажа

под раковиной, напорный, с напорной арматурой

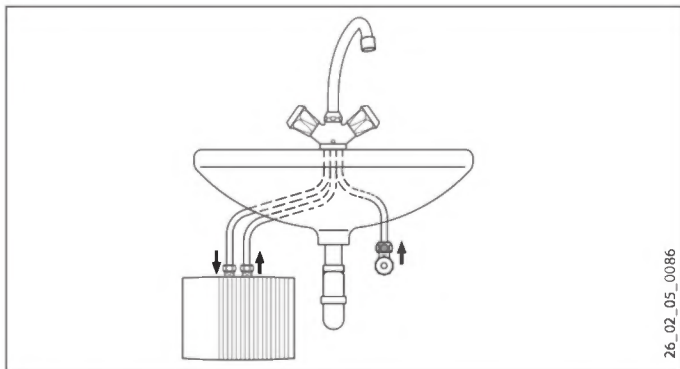


26_02_05_0041

УСТАНОВКА

Монтаж

под раковиной, безнапорный, с безнапорной арматурой



26_02_05_0086

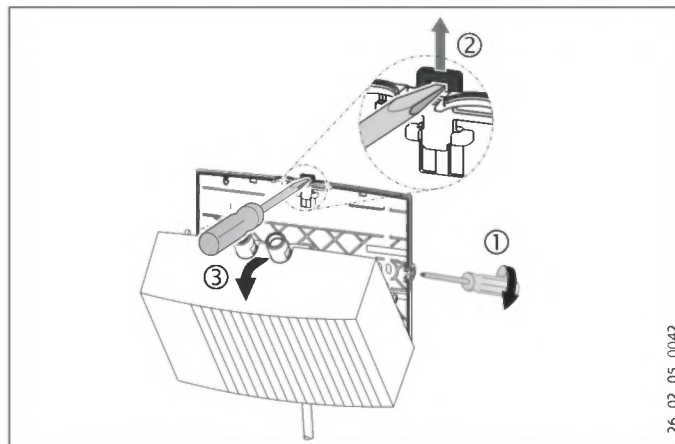
10.2.1 Монтаж прибора

- ▶ Смонтировать прибор на стене.



Указание

Стена должна обладать достаточной несущей способностью.

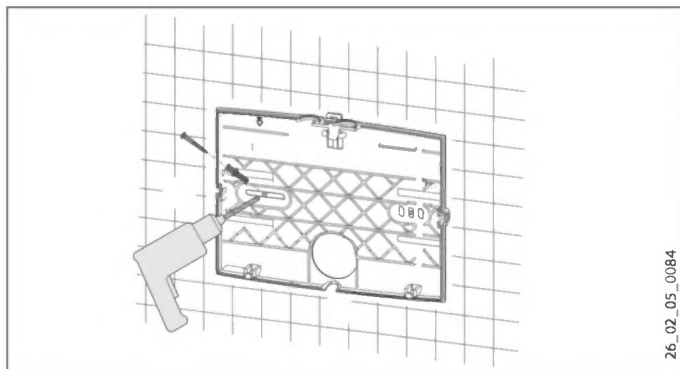


26_02_05_0042

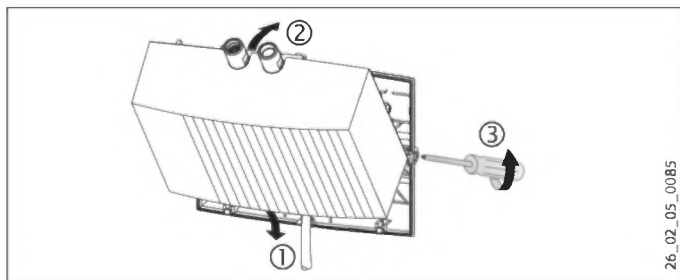
- ▶ Вывернуть винты крепления крышки на два оборота.
- ▶ Разблокировать запор с защелкой при помощи отвертки.
- ▶ Снять по направлению вперед крышку прибора вместе с системой нагрева.
- ▶ С помощью клещей выломать в крышке прибора отверстие для ввода кабеля электропитания. При необходимости обточить контур напильником.

УСТАНОВКА

Монтаж



- ▶ В качестве шаблона для сверления следует использовать заднюю стенку прибора.
- ▶ Закрепить заднюю стенку прибора на стене с помощью подходящих дюбелей и винтов.



- ▶ Пропустить кабель электропитания через кабельный ввод в задней стенке.
- ▶ Навесить нижнюю часть крышки прибора вместе с системой нагрева.
- ▶ Зафиксировать систему нагрева с помощью запора с защелкой.
- ▶ Закрепить крышку прибора с помощью соответствующих винтов.

10.2.2 Монтаж смесителя



Материальный ущерб

При всех соединениях необходимо придерживать прибор гаечным ключом размером 14.

Герметичное соединение

- ▶ Смонтировать соединительный шланг 3/8, входящий в комплект поставки, и тройник 3/8.
- ▶ Установить смеситель. При этом следует также соблюдать положения инструкции по эксплуатации и установке смесителя.

Безнапорное соединение

- ▶ Установить смеситель. При этом следует также соблюдать положения инструкции по эксплуатации и установке смесителя.

10.3 Подключение к сети электропитания



ОПАСНОСТЬ поражение электрическим током
Все работы по электрическому подключению и установке необходимо производить в соответствии с инструкцией.



ОПАСНОСТЬ поражение электрическим током
Проверить подключение прибора к защитному проводу.
Прибор должен отключаться от сети с размыканием всех контактов на всех полюсах и изолированием на расстоянии не менее 3 мм.



ОПАСНОСТЬ поражение электрическим током
В состоянии на момент поставки приборы оснащены электрическим соединительным проводом (у EIL 3 Plus – с вилкой).
Неразъемное подключение допускается, если поперечное сечение сетевого провода не меньше, чем у кабеля электропитания прибора, входящего в серийную комплектацию. Максимально допустимое поперечное сечение провода составляет $3 \times 6 \text{ мм}^2$.



Материальный ущерб

При подключении к розетке с защитным контактом (если прибор подключается с помощью соединительного провода с вилкой) после установки прибора доступ к розетке должен оставаться свободным.



Материальный ущерб

Следует соблюдать данные на заводской табличке. Напряжение сети должно совпадать с указанным на табличке.

- ▶ Подключить кабель электропитания в соответствии с электрической схемой (см. главу «Технические характеристики / Электрическая схема»).

11. Ввод в эксплуатацию

11.1 Первый ввод в эксплуатацию



- ▶ Заполнить прибор, многократно открывая и закрывая арматуру, пока из водопроводной сети и контура прибора не будет удален весь воздух.
- ▶ Выполнить проверку герметичности.
- ▶ Вставить вилку кабеля электропитания, если она имеется, в розетку с защитным контактом или включить автоматический выключатель.
- ▶ Проверить работу прибора.

11.2 Передача устройства

- ▶ Объяснить пользователю принцип работы устройства и ознакомить его с правилами использования устройства.
- ▶ Указать пользователю на возможные опасности, особенно на опасность обваривания.
- ▶ Передать данное руководство.

11.3 Повторный ввод в эксплуатацию



Материальный ущерб

После нарушения водоснабжения необходимо снова включить прибор, выполняя описанные далее действия; это поможет избежать повреждения нагревательной системы с открытым нагревательным элементом.

- ▶ Отключить прибор от сети. Для этого нужно извлечь вилку кабеля электропитания, если она имеется, из розетки с защитным контактом или выключить автоматический выключатель.
- ▶ См. главу «Первый ввод в эксплуатацию».

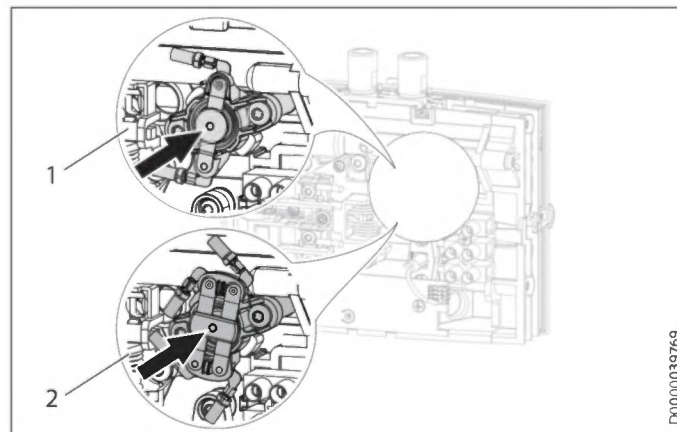
12. Вывод из эксплуатации

- ▶ Обесточить прибор с помощью предохранителя в электрической сети здания или извлечения вилки кабеля электропитания из розетки.
- ▶ Опорожнить прибор, см. главу «Техническое обслуживание».

13. Поиск и устранение неисправностей

Проблема	Причина	Способ устранения
Прибор не включается, несмотря на полностью открытый кран горячей воды.	Регулятор струи в смесителе заизвесткован или загрязнен.	Очистить регулятор струи и / или удалить из него накипь либо заменить специальный регулятор струи.
	Загрязнен сетчатый фильтр на линии подачи холодной воды.	Прочистить фильтр, предварительно перекрыв подачу холодной воды.
	Неисправна нагревательная система.	Измерить сопротивление в системе нагрева; при необходимости заменить прибор.
	Сработал предохранительный ограничитель давления.	Устранить причину неисправности. Обесточить прибор и сбросить давление в водопроводе. Активировать предохранительный ограничитель давления.

Привести в действие предохранительный ограничитель давления



- 1-полюсный предохранительный ограничитель давления EIL 4 Plus / EIL 6 Plus
- 2-полюсный предохранительный ограничитель давления EIL 3 Plus / EIL 7 Plus

D0000039769

14. Техническое обслуживание



ОПАСНОСТЬ поражение электрическим током
При любых работах необходимо полное отключение прибора от сети.

14.1 Опорожнение прибора



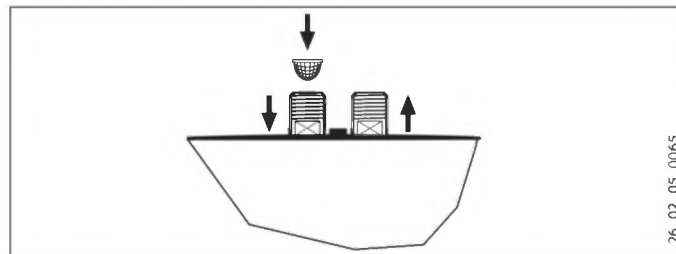
ОПАСНОСТЬ обваривание
При опорожнении прибора из него может вытекать горячая вода.

При необходимости слить воду из прибора для технического обслуживания или защиты всей установки от замерзания следует действовать, как описано ниже.

- ▶ Закрывать запорный клапан в трубопроводе подачи холодной воды.
- ▶ Открыть раздаточный вентиль.
- ▶ Отсоединить трубопроводы подачи воды от прибора.

14.2 Чистка сетчатого фильтра

Встроенный сетчатый фильтр можно прочистить после деаэрации трубопровода холодной водой.



14.3 Проверки согласно VDE 0701/0702

Проверка провода заземления

- ▶ Проверить заземление (в Германии, например, согласно DGUV A3) на контакте защитного провода кабеля электропитания и на соединительном патрубке прибора.

Сопротивление изоляции

- ▶ Если прибор номинальной мощности > 3,5 кВт не достигает сопротивления изоляции 300 кОм, рекомендуем проверить характеристики изоляции этого прибора, методом разностного тока измерив ток защитного провода / ток поверхностной утечки согласно VDE 0701/0702 (рис. С.3b).

14.4 Хранение прибора

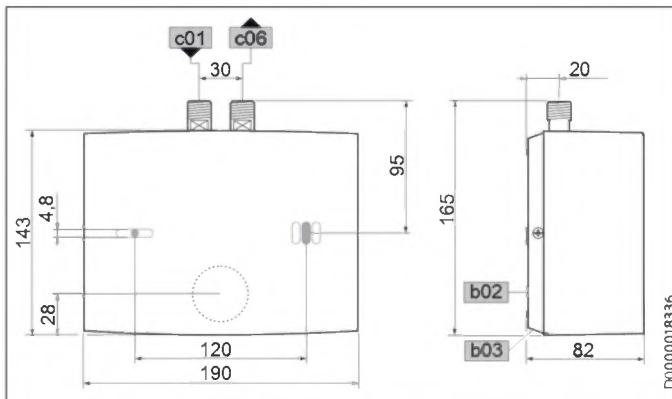
- ▶ Хранить демонтированный прибор в отапливаемом помещении, поскольку в приборе всегда находятся остатки воды, которые могут замерзнуть и повредить его.

14.5 Замена электрического соединительного провода EIL 6 Plus

- ▶ При замене электрического соединительного провода EIL 6 Plus следует использовать провод с сечением 4 мм².

15. Технические характеристики

15.1 Размеры

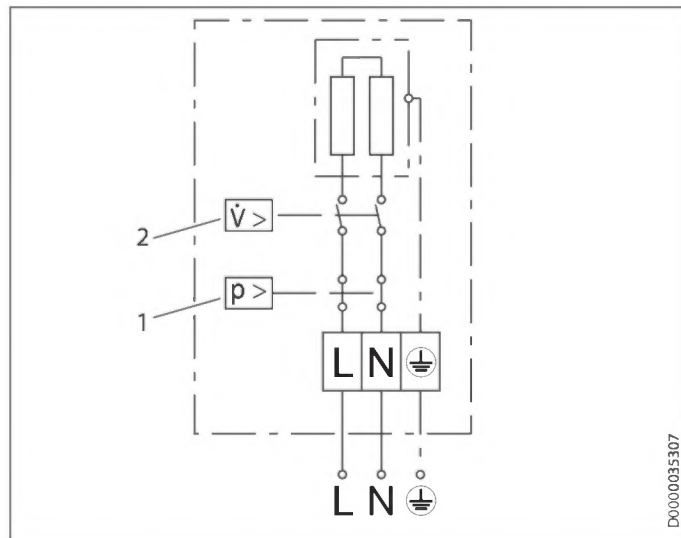


b02	Кабельный ввод для электропроводки I		
b03	Кабельный ввод для электропроводки II		
c01	Подвод холодной воды	Наружная резьба	G 3/8 A
c06	Выпуск горячей воды	Наружная резьба	G 3/8 A

15.2 Электрическая схема

15.2.1 EIL 3 Plus

1/N/PE ~ 200–240 В

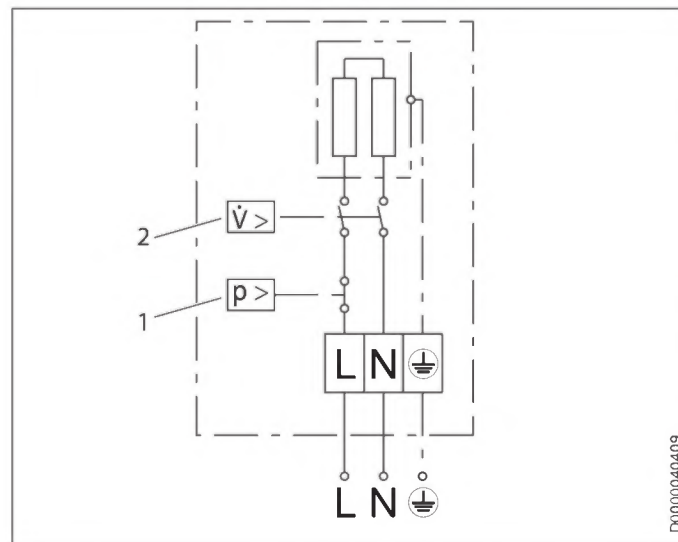


D0000035307

- 1 Предохранительный ограничитель давления
- 2 Датчик разности давлений

15.2.2 EIL 4 Plus и EIL 6 Plus

1/N/PE ~ 200–240 В



D0000040409

- 1 Предохранительный ограничитель давления
- 2 Датчик разности давлений

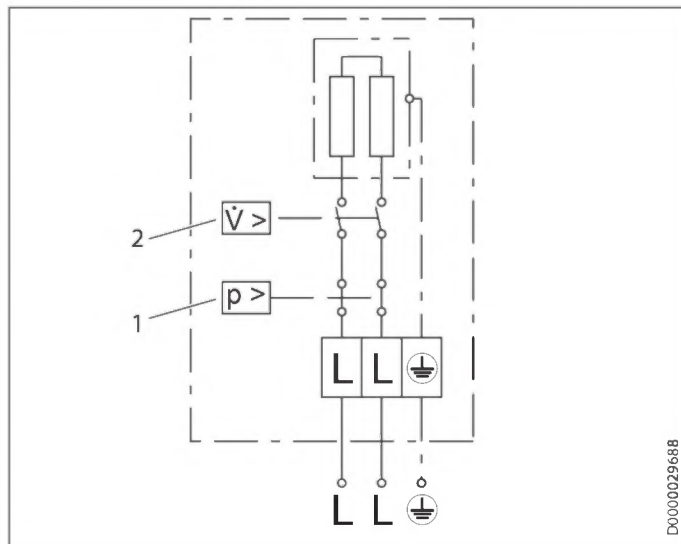


Материальный ущерб

- При неразъемном подключении кабеля электропитания провода подключаются в соответствии с обозначениями клемм колодки.

15.2.3 EIL 7 Plus

2/PE ~ 380–415 В

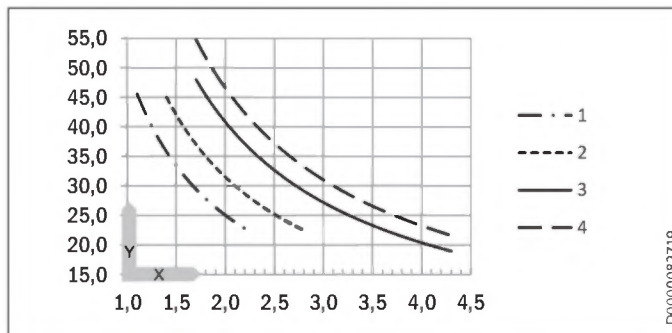


D0000029688

- 1 Предохранительный ограничитель давления
- 2 Датчик разности давлений

15.3 Повышение температуры

При напряжении 230 / 400 В действуют следующие значения повышения температуры воды:



D0000082719

X Объемный расход в л/мин
Y Повышение температуры в К

- 1 3,5 кВт – 230 В
- 2 4,4 кВт – 230 В
- 3 5,7 кВт – 230 В
- 4 6,5 кВт – 400 В

Пример: EIL 3 Plus с 3,5 кВт

Объемный расход	л/мин	2,0
Повышение температуры	К	25
Температура холодной воды на входе	°С	12
Максимально возможная температура воды на выходе	°С	37

15.4 Рабочие диапазоны

Удельное электрическое сопротивление и удельная электропроводность воды указаны в таблице параметров.

Стандартные данные при 15 °C			20 °C			25 °C		
Удел. Сопротивление $\rho \geq$	Удел. Электропроводность $\sigma \leq$	Удел. Электропроводность $\rho \geq$	Удел. Сопротивление $\rho \geq$	Удел. Электропроводность $\sigma \leq$	Удел. Электропроводность $\rho \geq$	Удел. Сопротивление $\rho \geq$	Удел. Электропроводность $\sigma \leq$	Удел. Электропроводность $\rho \geq$
Ом·см	мСм/м	мкСм/см	Ом·см	мСм/м	мкСм/см	Ом·см	мСм/м	мкСм/см
1100	91	909	970	103	1031	895	112	1117

15.5 Характеристики энергопотребления

Технические характеристики изделия: Стандартный водонагреватель (в соответствии с регламентом ЕС № 812/2013 | 814/2013)

	EIL 3 Plus	EIL 4 Plus	EIL 6 Plus	EIL 7 Plus
	200138	200139	200140	200141
Производитель	STIEBEL ELTRON	STIEBEL ELTRON	STIEBEL ELTRON	STIEBEL ELTRON
Профиль нагрузки	XXS	XXS	XXS	XS
Класс энергоэффективности	A	A	A	A
Энергетический КПД	%	39	38	39
Годовое потребление электроэнергии	кВт*ч	478	478	478
Уровень звуковой мощности	дБ(A)	15	15	15
Особые указания по измерению эффективности	Нет	Нет	Нет	Нет
Суточное потребление электроэнергии	кВт*ч	2,200	2,200	2,200

УСТАНОВКА

Технические характеристики

15.6 Таблица параметров

		EIL 3 Plus				EIL 4 Plus				EIL 6 Plus				EIL 7 Plus		
		200138				200139				200140				200141		
Электрические характеристики																
Номинальное напряжение	В	200	220	230	240	200	220	230	240	200	220	230	240	380	400	415
Номинальная мощность	кВт	2,7	3,2	3,53	3,8	3,3	4,0	4,4	4,8	4,3	5,2	5,7	6,2	5,9	6,5	7,0
Номинальный ток	А	13,3	14,5	15,2	15,8	16,7	18,2	19,1	20	21,6	23,6	24,7	25,8	15,5	16,3	16,9
Предохранитель	А	16				20				25	25	25	32	16	20	20
Частота	Гц	50/60				50/60				50/60				50/60	50/60	50/-
Фазы		1/N/PE				1/N/PE				1/N/PE				2/PE		
Удельное сопротивление $\rho_{15} \geq$	Ом·см	1100				1100				1100				1100		
Удельная электропроводность $\sigma_{15} \leq$	мкСм/см	909				909				909				909		
Макс. полное сопротивление сети при 50 Гц	Ом									0,394	0,377	0,361				
Соединения																
Подключение к водопроводу		G 3/8 A				G 3/8 A				G 3/8 A				G 3/8 A		
Пределы рабочего диапазона																
Макс. допустимое давление	МПа	1				1				1				1		
Параметры																
Макс. допустимая температура подачи	°С	35				35				35				35		
Вкл	л/мин	> 1,6				> 2,0				> 2,6				> 2,6		
Потеря давления при объемном расходе	МПа	0,05				0,06				0,08				0,08		
Объемный расход при потере давления	л/мин	1,6				2,0				2,6				2,6		
Ограничение объемного расхода при	л/мин	2,2				2,8				4,3				4,3		
Мощность по горячей воде	л/мин	2,0				2,5				3,2				3,7		
Δt при подаче	К	25				25				25				25		

УСТАНОВКА

Технические характеристики

		EIL 3 Plus	EIL 4 Plus	EIL 6 Plus	EIL 7 Plus
Гидравлические характеристики					
Номинальная емкость	л	0,1	0,1	0,1	0,1
Модификации					
Монтаж под раковиной		X	X	X	X
Конструкция открытого типа		X	X	X	X
Конструкция закрытого типа		X	X	X	X
Класс защиты		1	1	1	1
Изолирующий блок		Пластмасса	Пластмасса	Пластмасса	Пластмасса
Генератор тепла системы отопления		Открытый нагревательный элемент	Открытый нагревательный элемент	Открытый нагревательный элемент	Открытый нагревательный элемент
Крышка и задняя панель		Пластмасса	Пластмасса	Пластмасса	Пластмасса
Цвет		белый	белый	белый	белый
Степень защиты (IP)		IP25	IP25	IP25	IP25
Размеры					
Высота	мм	143	143	143	143
Ширина	мм	190	190	190	190
Глубина	мм	82	82	82	82
Длина соединительного кабеля	мм	700	700	700	700
Вес					
Вес	кг	1,4	1,4	1,4	1,4



Указание

Прибор соответствует требованиям стандарта IEC 61000-3-12.

УСТАНОВКА

Технические характеристики

Серийный номер на шильдике прибора содержит дату изготовления прибора.

Серийный номер имеет следующую структуру: 6-значный артикул прибора - 4-значная дата производства- 6-значный порядковый номер.

4-значная дата производства расшифровывается так:

- Первые две цифры плюс 25 - это год изготовления прибора (2 цифры), то есть 94+25 -> для 2019, 93+25 -> для 2018 и так далее;
- Последние две цифры минус 25 -это календарная неделя изготовления прибора.

Например, 4-значная дата производства 9440 соответствует 15 неделе в 2019 году.

Изготовитель:

«Штибель Эльтрон ГмБХ & Ко. КГ»
Адрес: Др. -Штибель-Штрассе 33,
37603, Хольцминден, Германия
Тел. 05531 702-0 | Факс 05531 702-480
info@stiebel-eltron.de
www.stiebel-eltron.de

Сделано в Германии

Импортер в РФ:

ООО «Штибель Эльтрон»
Адрес: ул. Уржумская, д.4, стр. 2
129343, г. Москва, Россия
Тел. +7 495 125 0 125 | Факс: +7 495 775 38 87
info@stiebel-eltron.ru
www.stiebel-eltron.ru

Гарантия

Приборы, приобретенные за пределами Германии, не подпадают под условия гарантии немецких компаний. К тому же в странах, где продажу нашей продукции осуществляет одна из наших дочерних компаний, гарантия предоставляется исключительно этой дочерней компанией. Такая гарантия предоставляется только в случае, если дочерней компанией изданы собственные условия гарантии. За пределами этих условий никакая гарантия не предоставляется.

На приборы, приобретенные в странах, где ни одна из наших дочерних компаний не осуществляет продажу нашей продукции, никакие гарантии не распространяются. Это не затрагивает гарантий, которые могут предоставляться импортером.

Защита окружающей среды и утилизация

Внесите свой вклад в охрану окружающей среды. Утилизацию использованных материалов следует производить в соответствии с национальными нормами.

Deutschland

STIEBEL ELTRON GmbH & Co. KG
Dr.-Stiebel-Straße 33 | 37603 Holzminden
Tel. 05531 702-0 | Fax 05531 702-480
info@stiebel-eltron.de
www.stiebel-eltron.de

Verkauf

Kundendienst Ersatzteilverkauf

Tel. 05531 702-110 | Fax 05531 702-95108 | info-center@stiebel-eltron.de
Tel. 05531 702-111 | Fax 05531 702-95890 | kundendienst@stiebel-eltron.de
Tel. 05531 702-120 | Fax 05531 702-95335 | ersatzteile@stiebel-eltron.de

Australia

STIEBEL ELTRON Australia Pty. Ltd.
294 Salmon Street | Port Melbourne
VIC 3207
Tel. 03 9645-1833 | Fax 03 9644-5091
info@stiebel-eltron.com.au
www.stiebel-eltron.com.au

Austria

STIEBEL ELTRON Ges.m.b.H.
Gewerbegebiet Neubau-Nord
Margaritenstraße 4 A | 4063 Horsching
Tel. 07221 74600-0 | Fax 07221 74600-42
info@stiebel-eltron.at
www.stiebel-eltron.at

Belgium

STIEBEL ELTRON bvba/sprl
't Hofveld 6 - D1 | 1702 Groot-Bijgaarden
Tel. 02 42322-22 | Fax 02 42322-12
info@stiebel-eltron.be
www.stiebel-eltron.be

China

STIEBEL ELTRON (Tianjin) Electric
Appliance Co., Ltd.
Plant C3, XEDA International Industry City
Xiqing Economic Development Area
300385 Tianjin
Tel. 022 8396 2077 | Fax 022 8396 2075
info@stiebel-eltron.cn
www.stiebel-eltron.cn

Czech Republic

STIEBEL ELTRON spol. s r.o.
Dopravníku 749/3 | 184 00 Praha 8
Tel. 251116-111 | Fax 235512-122
info@stiebel-eltron.cz
www.stiebel-eltron.cz

Finland

STIEBEL ELTRON OY
Kapinakuja 1 | 04600 Mäntsälä
Tel. 020 720-9988
info@stiebel-eltron.fi
www.stiebel-eltron.fi

France

STIEBEL ELTRON SAS
7-9, rue des Selliers
B.P 85107 | 57073 Metz-Cédex 3
Tel. 0387 7438-88 | Fax 0387 7468-26
info@stiebel-eltron.fr
www.stiebel-eltron.fr

Hungary

STIEBEL ELTRON Kft.
Gyár u. 2 | 2040 Budaörs
Tel. 01 250-6055 | Fax 01 368-8097
info@stiebel-eltron.hu
www.stiebel-eltron.hu

Japan

NIHON STIEBEL Co. Ltd.
Kowa Kawasaki Nishiguchi Building 8F
66-2 Horikawa-Cho
Saiwai-Ku | 212-0013 Kawasaki
Tel. 044 540-3200 | Fax 044 540-3210
info@nihonstiebel.co.jp
www.nihonstiebel.co.jp

Netherlands

STIEBEL ELTRON Nederland B.V.
Daviottenweg 36 |
5222 BH 's-Hertogenbosch
Tel. 073 623-0000 | Fax 073 623-1111
info@stiebel-eltron.nl
www.stiebel-eltron.nl

New Zealand

Stiebel Eltron NZ Limited
61 Barrys Point Road | Auckland 0622
Tel. +64 9486 2221
info@stiebel-eltron.co.nz
www.stiebel-eltron.co.nz

Poland

STIEBEL ELTRON Polska Sp. z O.O.
ul. Działkowa 2 | 02-234 Warszawa
Tel. 022 60920-30 | Fax 022 60920-29
biuro@stiebel-eltron.pl
www.stiebel-eltron.pl

Russia

STIEBEL ELTRON LLC RUSSIA
Urzhumskaya street 4,
building 2 | 129343 Moscow
Tel. +7 495 125 0 125
info@stiebel-eltron.ru
www.stiebel-eltron.ru

Slovakia

STIEBEL ELTRON Slovakia, s.r.o.
Hlavná 1 | 058 01 Poprad
Tel. 052 7127-125 | Fax 052 7127-148
info@stiebel-eltron.sk
www.stiebel-eltron.sk

Switzerland

STIEBEL ELTRON AG
Industrie West
Gass 8 | 5242 Lupfig
Tel. 056 4640-500 | Fax 056 4640-501
info@stiebel-eltron.ch
www.stiebel-eltron.ch

Thailand

STIEBEL ELTRON Asia Ltd.
469 Moo 2 Tambol Klong-jik
Amphur Bangpa-in | 13160 Ayutthaya
Tel. 035 220088 | Fax 035 221188
info@stiebel-eltronasia.com
www.stiebel-eltronasia.com

United Kingdom and Ireland

STIEBEL ELTRON UK Ltd.
Unit 12 Stadium Court
Stadium Road | CH62 3RP Bromborough
Tel. 0151 346-2300 | Fax 0151 334-2913
info@stiebel-eltron.co.uk
www.stiebel-eltron.co.uk

United States of America

STIEBEL ELTRON, Inc.
17 West Street | 01088 West Hatfield MA
Tel. 0413 346-3300 | Fax 0413 247-3369
info@stiebel-eltron-usa.com
www.stiebel-eltron-usa.com



Irrtum und technische Änderungen vorbehalten! | Subject to errors and technical changes! | Sous réserve d'erreurs et de modifications techniques! | Onder voorbehoud van vergissingen en technische wijzigingen! | Salvo error o modificación técnica! | Excepto erro ou alteração técnica! | Zastrzeżone zmiany techniczne i ewentualne błędy! | Омьяа технїккэ змєнїюу выхрєзєны! | A muszaki változtatások és tévedések jogát fenntartjuk! | Отсутствие ошибок не гарантируется. Возможны технические изменения. | Chyby a technické zmeny sú vyhradené! | Stand 9646

STIEBEL ELTRON

A 334003-43595-9658
B 334002-41065-9432