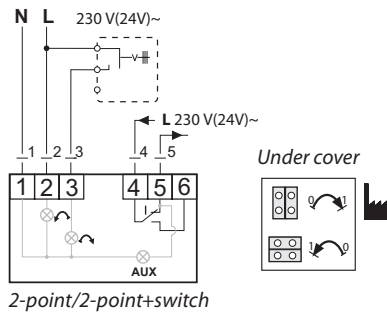
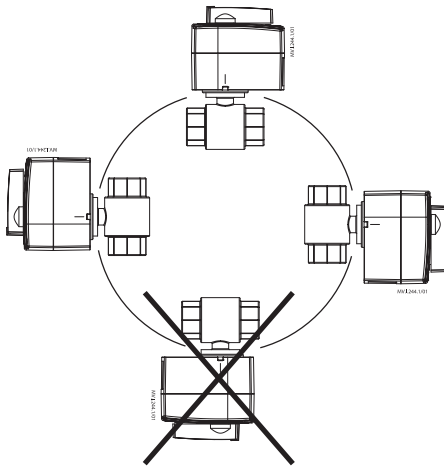
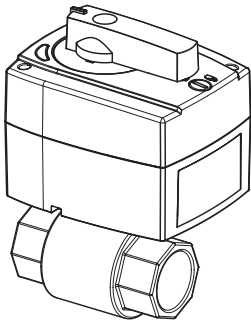


Operating Guide

AMZ 112, AMZ 113

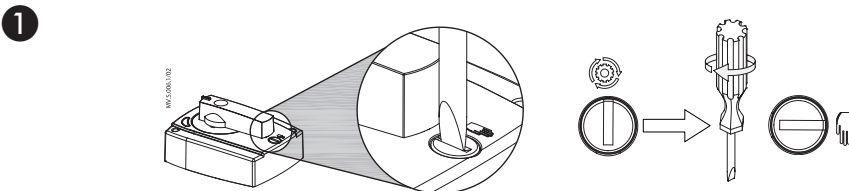
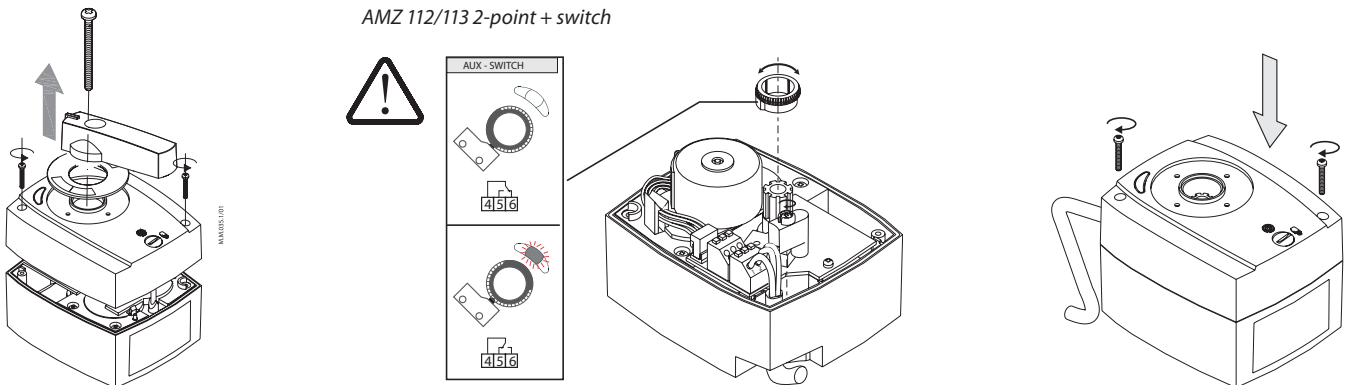
AMZ 112, AMZ 113



Direct/Inverse function

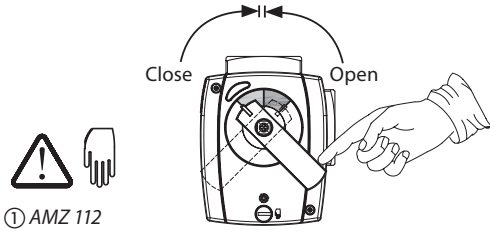
Jumper	Wiring	Open Port
DIR	L = 2	AB-B
	L = 2 & 3	AB-A
INV	L = 2	AB-A
	L = 2 & 3	AB-B

AMZ 112/113 2-point + switch

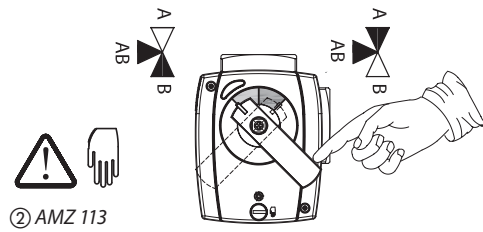


AMZ 112, AMZ 113

2



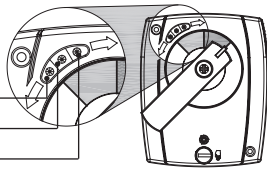
① AMZ 112



② AMZ 113

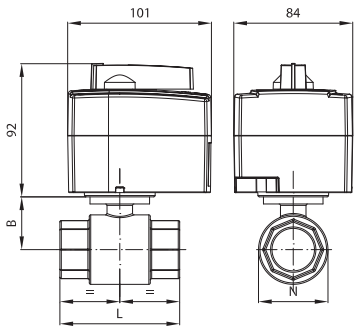
3

- LED orange (Rotate Left)
- LED green / red
- LED orange (Rotate Right)



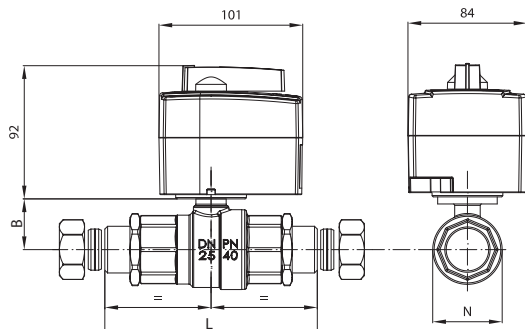
AMZ 112/113

LED color	2-point (AMZ 112/113)
Orange	Rotation left / right
Green	/
Red	AUX switch activation



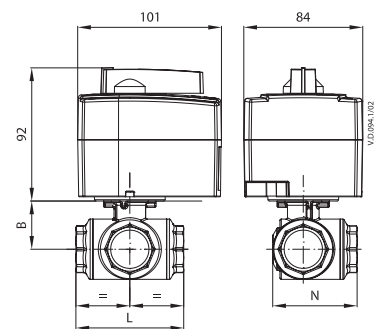
AMZ 112

DN	Connection	L	B	N
	G			
15	1/2"	61	29,4	37
20	3/4"	69,5	33	37
25	1"	84,5	37,2	42
32	1 1/4"	98,5	47,5	42
40	1 1/2"	110	53	42
50	2"	130	64	48



AMZ 112

DN	Connection	L	B	N
	G			
15	Cu-Cu 22	103	29,4	37
20	Cu-Cu 22	111,5	33	37



AMZ 113

DN	Connection	L	B	N
	G			
15	1/2"	64,5	38	49,5
20	3/4"	76	42	59,5
25	1"	97	46,5	74,5
32	1 1/4"	118	61,25	95,5

Danfoss A/S

Climate Solutions • danfoss.com • +45 7488 2222

All information, including, but not limited to information on selection of product, its application or use, product design, weight, dimensions, capacity or any other technical data in product manuals, catalogues descriptions, advertisements, etc. and whether made available in writing, orally, electronically, online or via download, shall be considered informative, and is only binding if and to the extent, explicit reference is made in a quotation or order confirmation. Danfoss cannot accept any responsibility for possible errors in catalogues, brochures, videos and other material. Danfoss reserves the right to alter its products without notice. This also applies to products ordered but not delivered provided that such alterations can be made without changes to form, fit or function of the product.

All trademarks in this material are property of Danfoss A/S or Danfoss group companies. Danfoss and the Danfoss logo are trademarks of Danfoss A/S. All rights reserved.