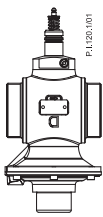


Operating Guide

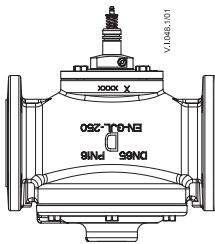
AHQM, DN 40-100



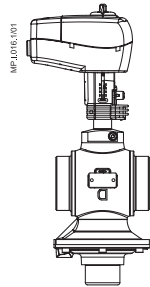
MAINTENANCE
FREE



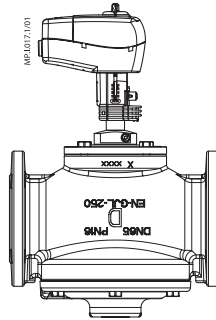
DN 40, 50



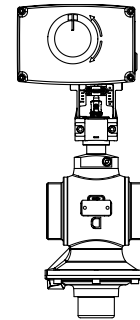
DN 50-100



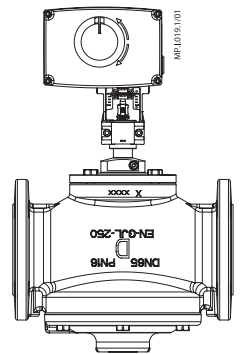
AMV(E) 435 +
AHQM DN 40, 50



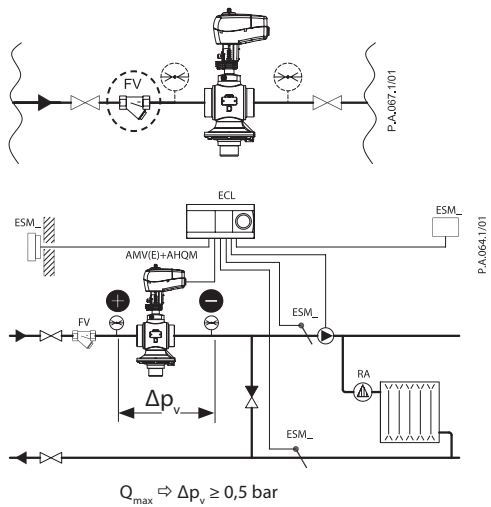
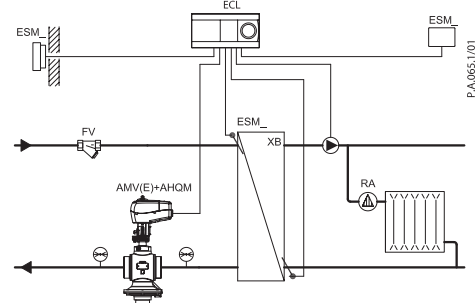
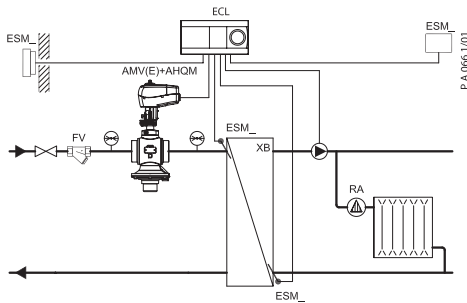
AMV(E) 435 +
AHQM DN 50-100



AMV(E) 438 SD +
AHQM DN 40, 50



AMV(E) 438 SD +
AHQM DN 50-100

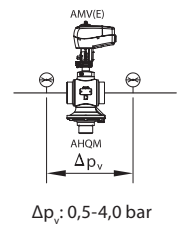


max. t: 120 °C
min. t: 2 °C

max. PN: 16 bar

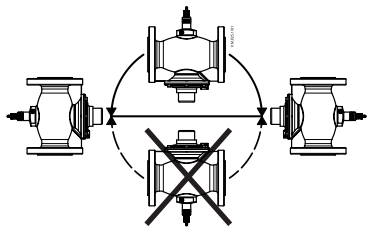
max. P_{test}: 24 bar

P_{test} = 1,5 × PN

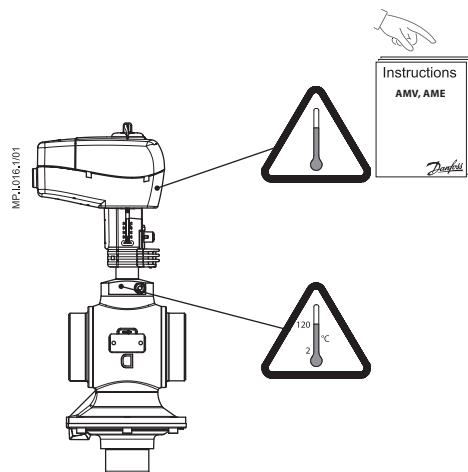
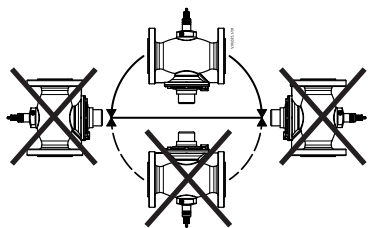


AHQM (PN 16)

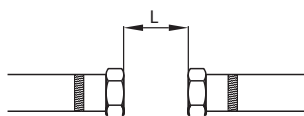
DN 40-80



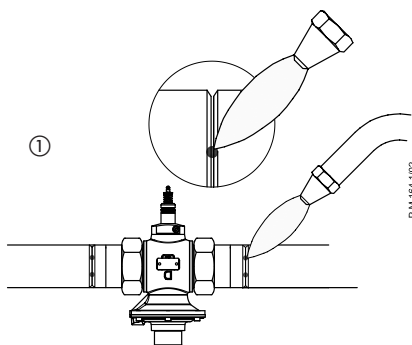
DN 100



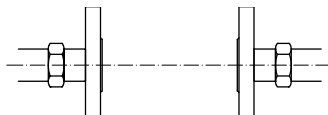
DN	L (mm)
40	114
50	134



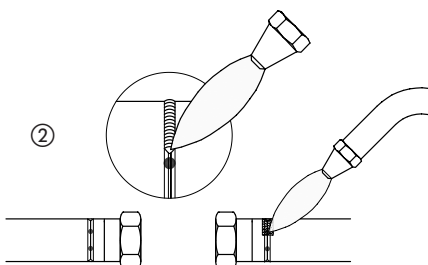
P.M.164.2/03



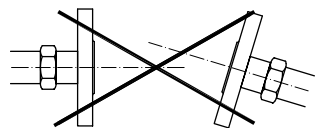
P.M.164.1/02



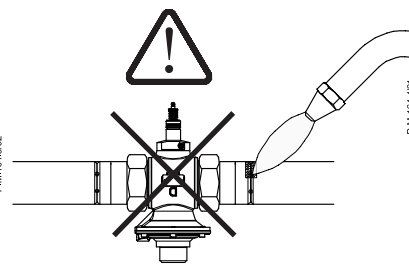
P.M.139.1/01



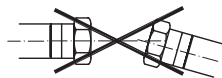
P.M.164.3/02



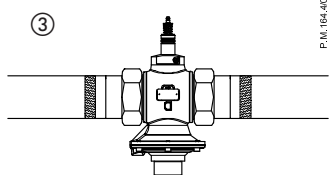
P.M.140.1/01



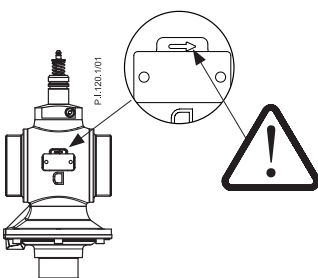
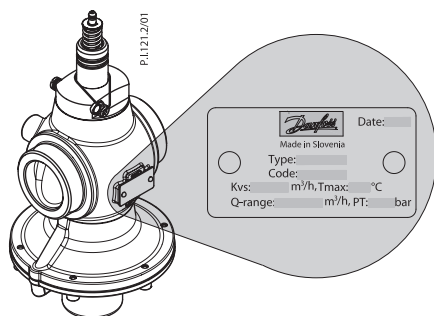
P.M.164.4/01



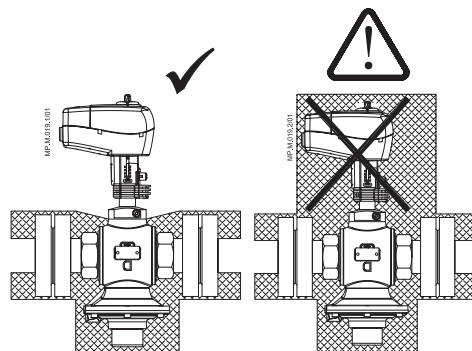
P.M.142.1/01



P.M.164.4/01



P.L.126.1/01

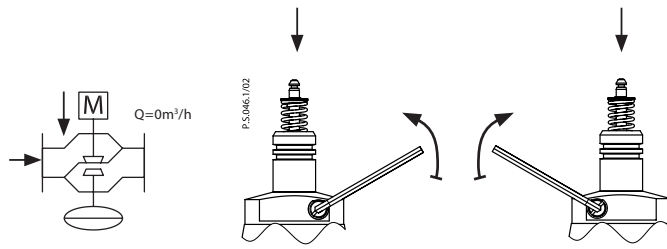


M.P.1615.1/01

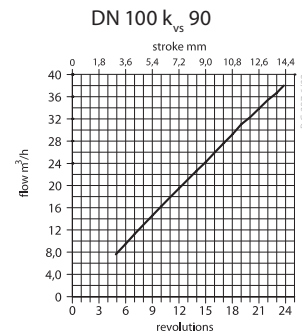
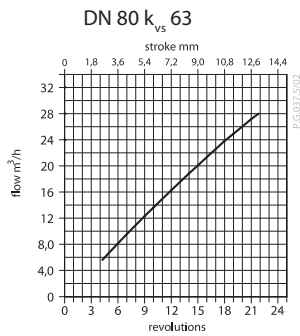
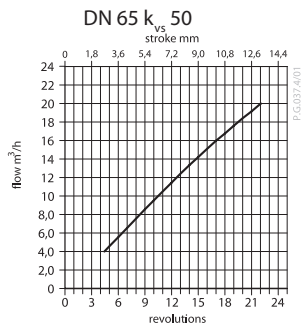
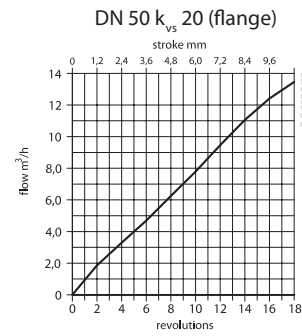
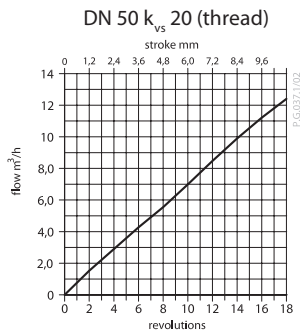
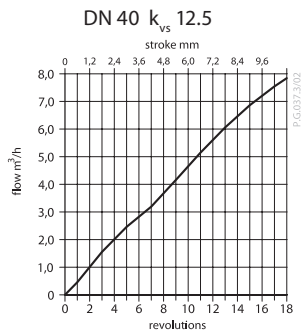
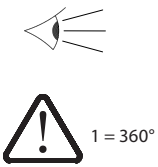
M.P.1615.2/01

AHQM (PN 16)

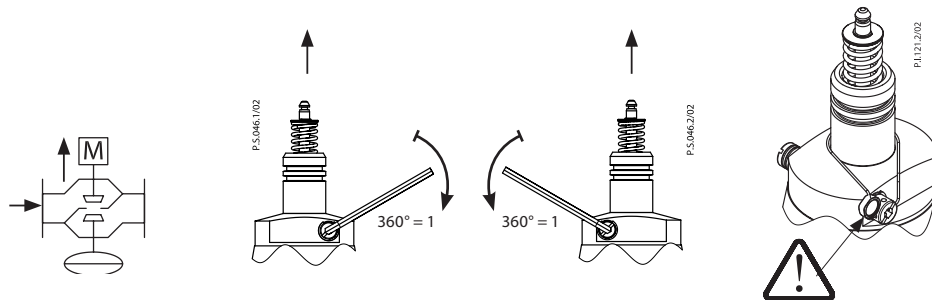
1



2

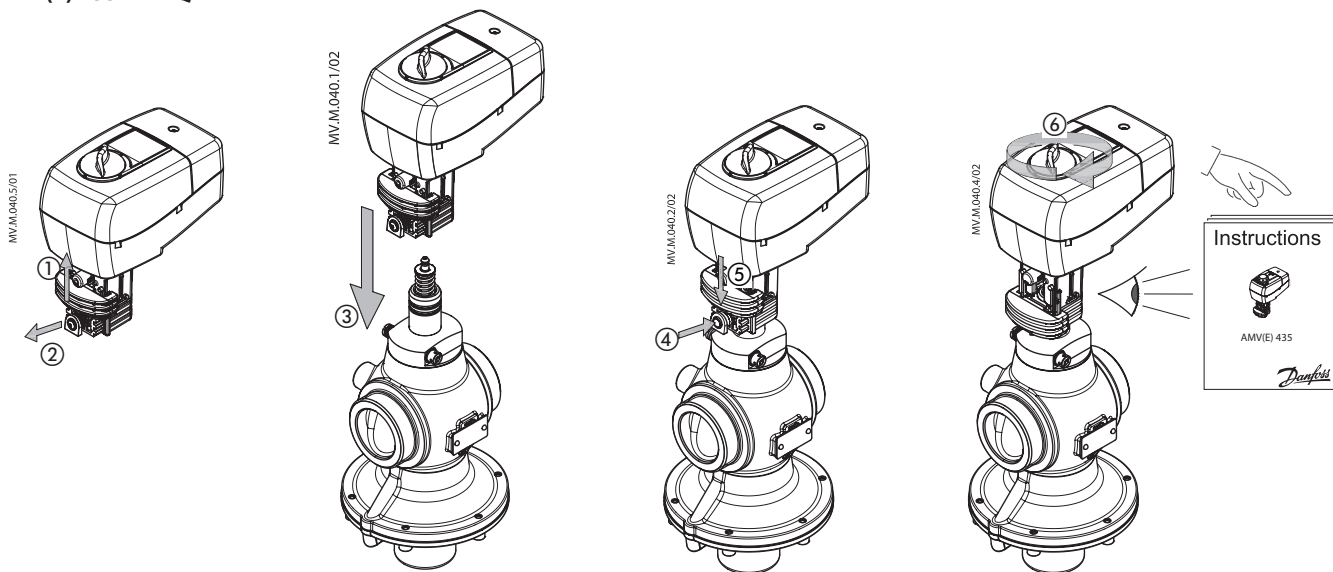


3

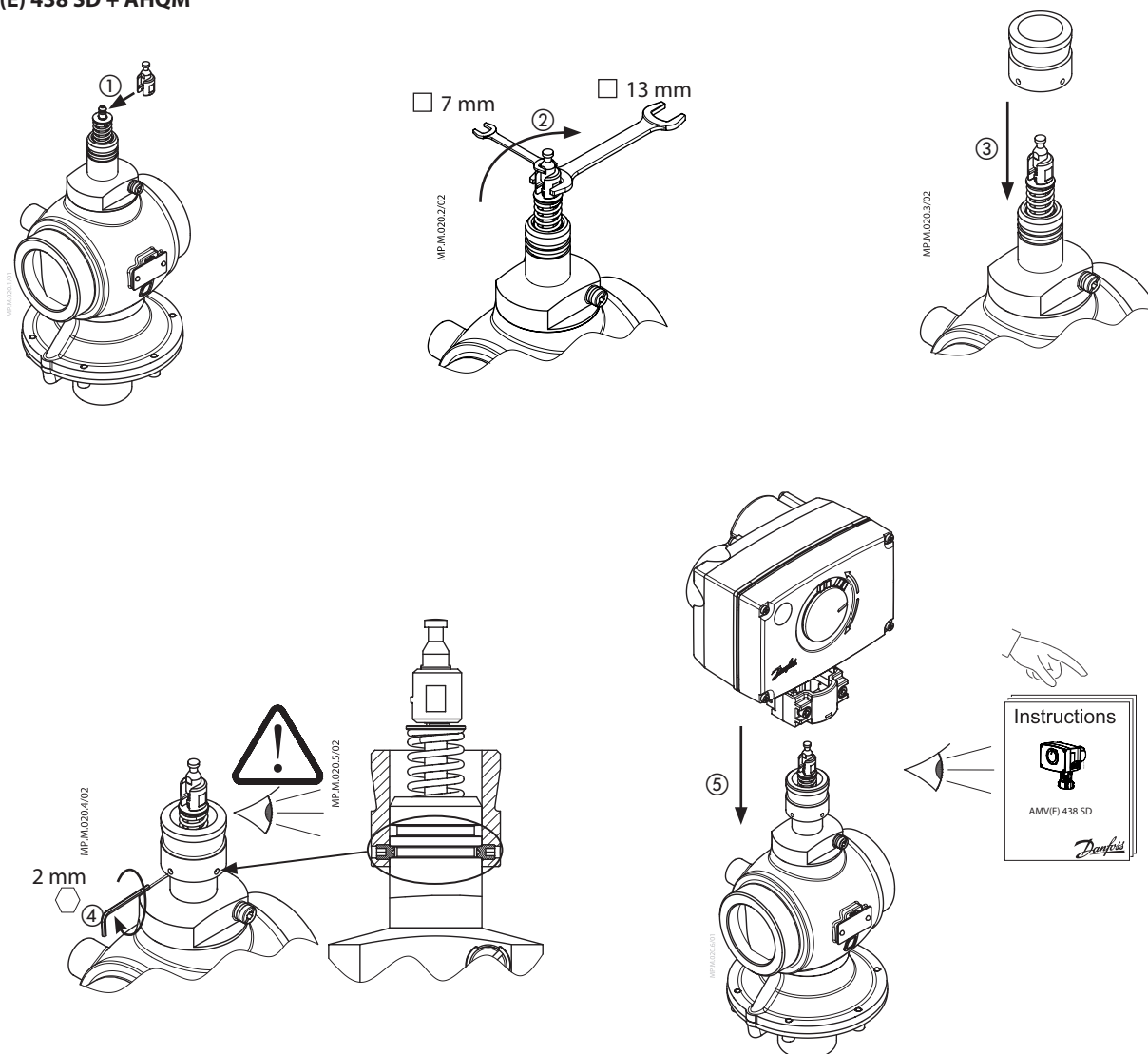


AHQM (PN 16)

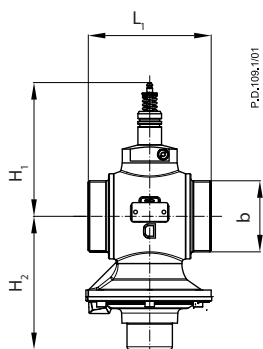
AMV(E) 435 + AHQM



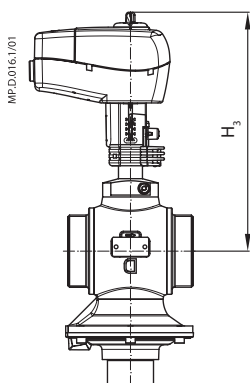
AMV(E) 438 SD + AHQM



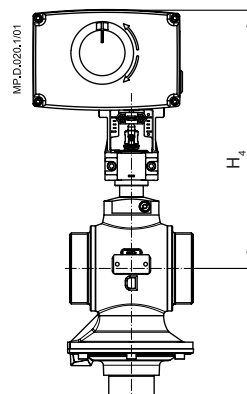
AHQM (PN 16)



DN 40, 50

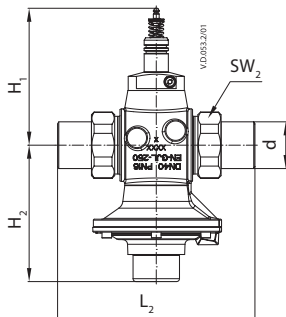
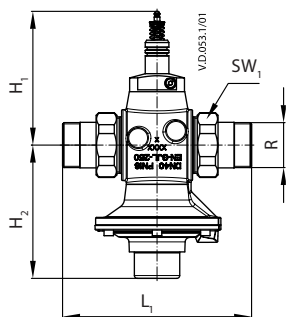


AMV(E) 435 + AHQM

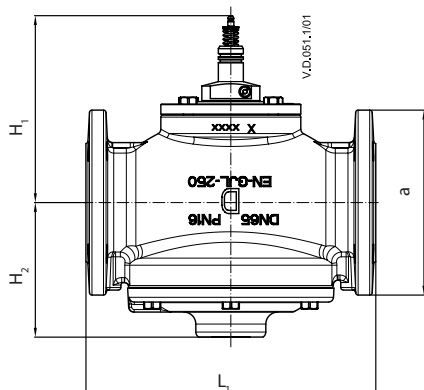


AMV(E) 438 SD + AHQM

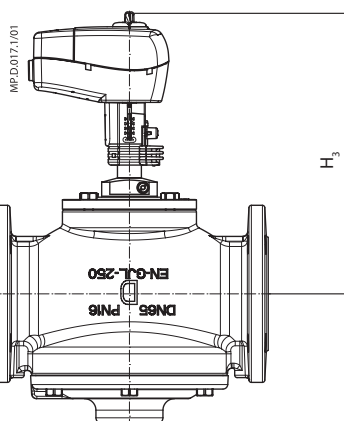
DN	L ₁	H ₁	H ₂	H ₃	H ₄	b
	mm					ISO 228/1
40	110	141.5	141	247.5	272.5	G 2
50	130	141.5	141	247.5	272.5	G 2½



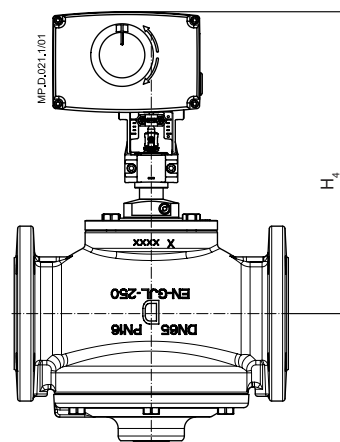
DN	40	50
R	1½	2
SW ₁	64	80
SW ₂	70	82
d	48.3	60.3
L ₁	200	244
L ₂	204	234
H ₁	141.5	141
H ₂	141.5	141



DN 50-100



AMV(E) 435 + AHQM



AMV(E) 438 SD + AHQM

DN	L ₁	H ₁	H ₂	H ₃	H ₄	a
	mm					(EN 1092-2)
50	230	141.5	141	247.5	272.5	165
65	290	187	132	293	318	185
80	310	190	139.5	296	321	200
100	350	202	152	308	333	220

